



US00D548393S

(12) **United States Design Patent**  
**Smith**

(10) **Patent No.:** **US D548,393 S**

(45) **Date of Patent:** **\*\* Aug. 7, 2007**

(54) **ASH TRAY**

(76) Inventor: **Vivienne Smith**, 13301 Canterbury,  
Hagerstown, MD (US) 21742

(\*\*) Term: **14 Years**

(21) Appl. No.: **29/270,538**

(22) Filed: **Dec. 27, 2006**

(51) **LOC (8) Cl.** ..... **27-03**

(52) **U.S. Cl.** ..... **D27/133; D27/125; D27/105;**  
**D32/53**

(58) **Field of Classification Search** ..... 131/231,  
131/235.1, 236, 237, 238, 237.5, 240.1-245,  
131/256; D32/53; D9/906; D27/102-105,  
D27/106, 125, 133, 134, 135, 136  
See application file for complete search history.

(56) **References Cited**

**U.S. PATENT DOCUMENTS**

- 2,683,460 A 7/1954 Rice
- D175,023 S \* 6/1955 Koch ..... D27/106
- D261,593 S \* 11/1981 Miyazaki ..... D7/603
- D277,646 S \* 2/1985 Jorgensen ..... D9/907

- D286,370 S \* 10/1986 Wirts et al. .... D8/356
- 5,224,499 A 7/1993 Zayas
- 5,924,425 A 7/1999 Luedecke
- D417,326 S \* 11/1999 Greene ..... D32/53
- D528,406 S \* 9/2006 Kramer ..... D8/356

\* cited by examiner

*Primary Examiner*—Jennifer Rivard

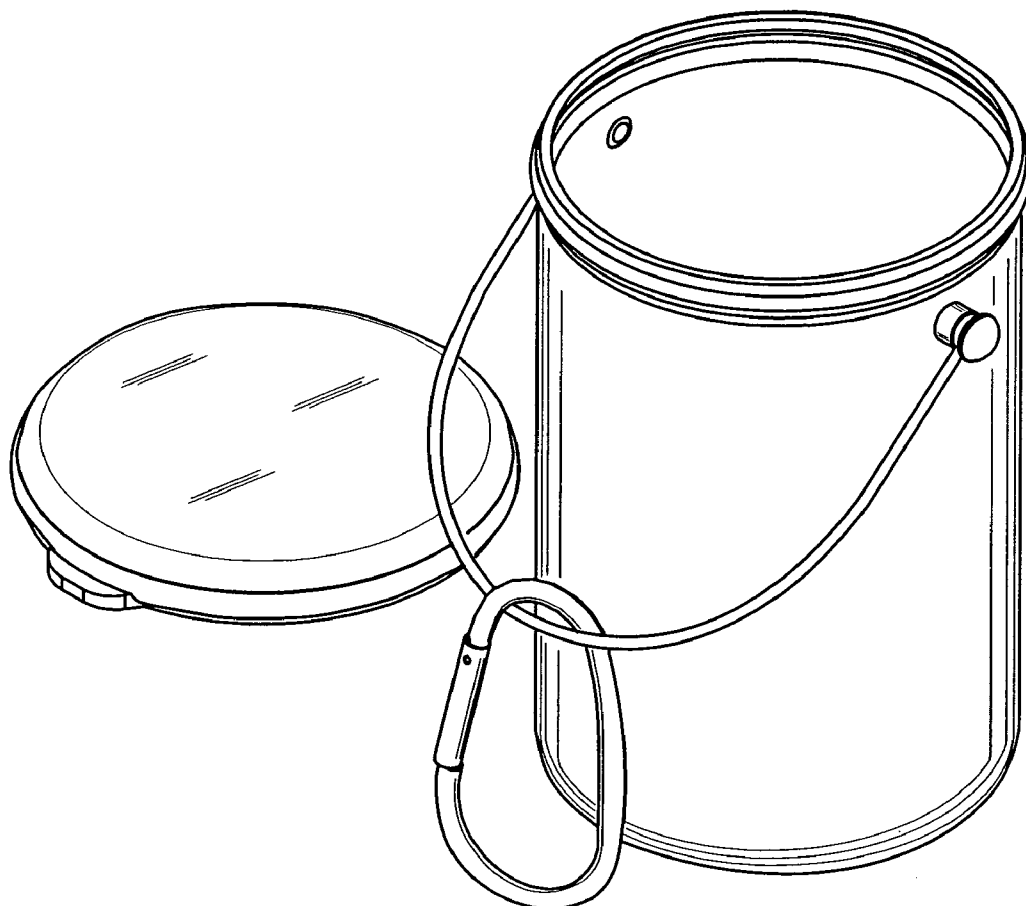
(57) **CLAIM**

The ornamental design for an ash tray, as shown and described.

**DESCRIPTION**

FIG. 1 is a perspective view of an ash tray showing my new design;  
 FIG. 2 is a top plan view thereof;  
 FIG. 3 is a front elevational view thereof;  
 FIG. 4 is a left side elevational thereof; and,  
 FIG. 5 is a perspective view showing the lid removed from the base.

**1 Claim, 3 Drawing Sheets**



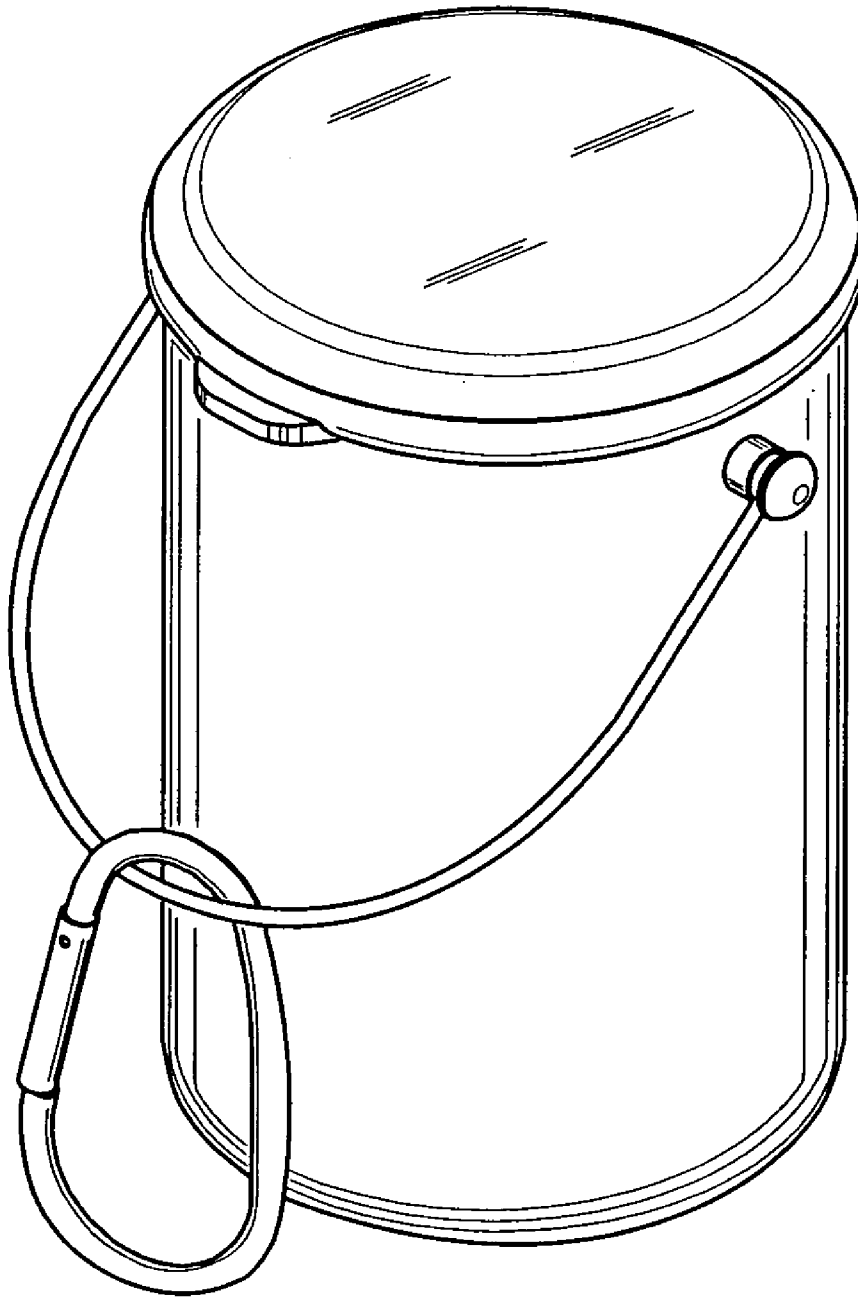


FIG. 1

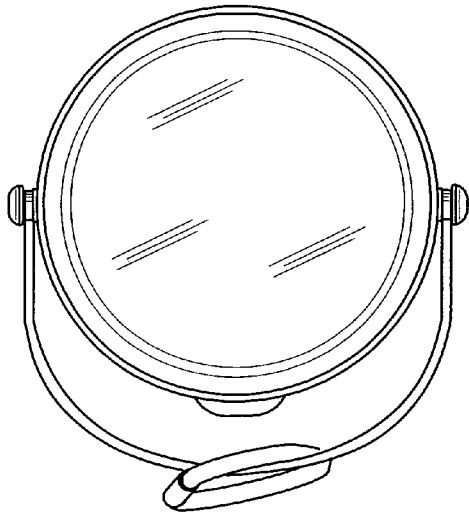


FIG. 2

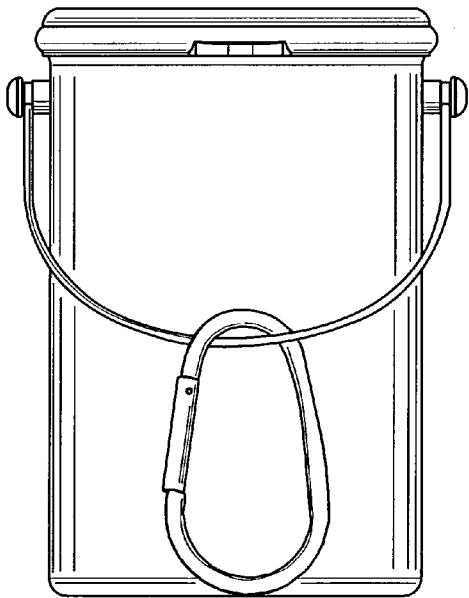


FIG. 3

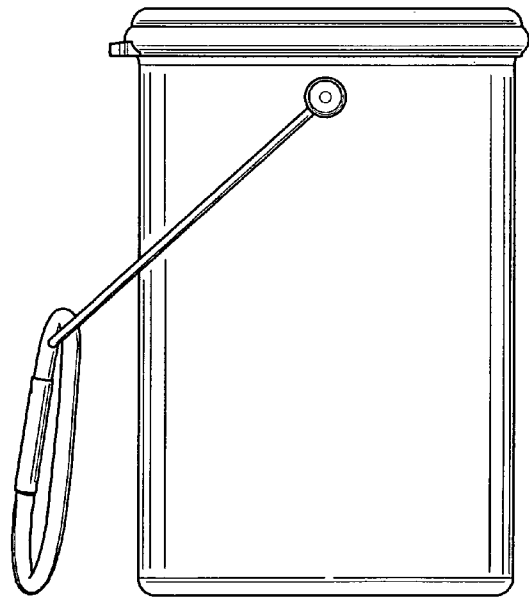


FIG. 4

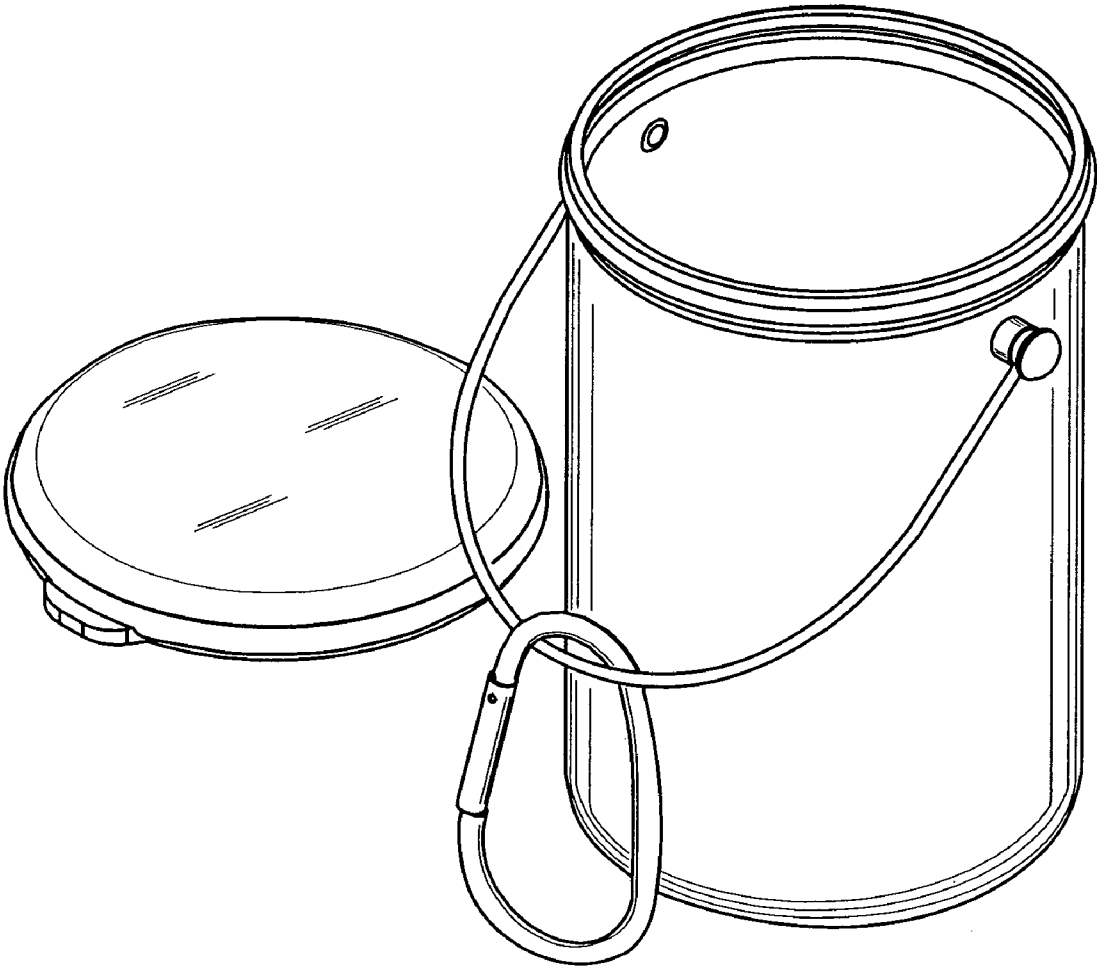


FIG. 5