

(19) **DANMARK**

(10) **DK/EP 2695514 T3**



(12) **Oversættelse af
europæisk patentskrift**

Patent- og
Varemærkestyrelsen

-
- (51) Int.Cl.: **A 01 K 11/00 (2006.01)**
- (45) Oversættelsen bekendtgjort den: **2016-09-26**
- (80) Dato for Den Europæiske Patentmyndigheds bekendtgørelse om meddelelse af patentet: **2016-06-29**
- (86) Europæisk ansøgning nr.: **13180804.0**
- (86) Europæisk indleveringsdag: **2010-02-27**
- (87) Den europæiske ansøgnings publiceringsdag: **2014-02-12**
- (30) Prioritet: **2009-02-27 EP 09002866** **2009-10-04 EP 09012540**
- (62) Stamansøgningsnr: **10154972.3**
- (84) Designerede stater: **AT BE BG CH CY CZ DE DK EE ES FI FR GB GR HR HU IE IS IT LI LT LU LV MC MK MT NL NO PL PT RO SE SI SK SM TR**
- (73) Patenthaver: **Piglets Treatment System BV, Scheiweg 7, 5809 EH, Leunen, Holland**
- (72) Opfinder: **Claessens, Antoon Willem Johan, Scheiweg 7, 5809 EH Leunen, Holland**
- (74) Fuldmægtig i Danmark: **Larsen & Birkeholm A/S Skandinavisk Patentbureau, Banegårdspladsen 1, 1570 København V, Danmark**
- (54) Benævnelse: **Kombination af en mærkeanbringelsesindretning og en patron**
- (56) Fremdragne publikationer:
EP-A1- 1 243 526
WO-A1-94/14316
WO-A2-2008/083688
DE-A1- 19 726 467

DESCRIPTION

[0001] The present invention pertains to a tag application device comprising a tag application means for applying a tag to an animal at a tagging site, incorporating for example a commonly known pliers-type application means for applying ear or wing tags, supply means for sequentially supplying tags being assembled in the form of a strip from a cartridge to the tagging site, and positioning means for automatically positioning a distal tag of the strip at the tagging site. The invention also pertains to a cartridge for use with the device.

Prior art

[0002] An application device according to the preamble is known from EP 0 482 902. The known device is a hand-held tool comprising a cartridge section wherein a strip comprising a plurality of interconnected ear tags can be manually loaded. The device is operable to apply a force to a tag positioned at the tagging site, to thereby apply the tag to an animal. The device further comprises a supply means to sequentially supply each tag from the cartridge to the tagging site. This supply means cooperates with guide means so as to enable a single tag, which is separated from the strip in a step preceding the actual tagging, to be moved along the guide means and be positioned at the tagging site. The supply means are operable in direct response to the application means, such that application of a tag is immediately followed by the supply of a next tag. This known device is suitable to apply a plurality of tags relatively fast. However, applicant realised that with this known device significant operator intervention is needed when a large number of animals has to be tagged. This not only true for the actual tagging operation, which requires manual labour, but also applies to the intermittent loading of tag strips.

[0003] In UK patent specification 2212092 there is disclosed an application device for a one piece tag wherein the device incorporates a rotatable cartridge having a plurality of cavities. Each separate tag can be pre-loaded into each of the cavities. During operation of the device the tags are removed sequentially from the cavities whereupon the cartridge indexes so that a new cavity is presented for the next tagging operation. This means that individual tags need to be loaded manually before the operator can actually carry out the tagging operations in quick succession.

[0004] FR-A-2463581 discloses an application device for ID-tags for poultry, wherein the tags are loaded into a cartridge section in the form of a strip of tags. The tags are initially joined together at their sides and are separated when the jaws of the application tool advance to close the tag into its final position. Still, a significant amount of operator intervention is needed when a large number of animals has to be tagged, comparable to the amount of intervention needed when applying the device known from EP 0 482 902.

[0005] NL 1002477 discloses a self-supporting (as opposed to hand-held) tag application device wherein the tags are manually loaded one by one, and actual tagging is performed by having the operator push a tagging mechanism with one of his feet. This device mitigates the physical demands posed by any of the hand-held devices as described supra. Still, a significant amount of operator intervention is needed since each of the tags has to be loaded manually.

[0006] Document DE-A-19726467 discloses a self-supporting tag application device.

Object of the invention

[0007] It is an object of the invention to provide a tag application means, which requires less time for applying a large number of tags to a group of animals. To this end a self-supporting application device in combination with a cartridge, as defined in claim 1, has been invented comprising a frame, and connected to that frame a tag application means for applying a tag to an animal at a tagging site, supply means for sequentially supplying tags being assembled in the form of a continuous strip from a cartridge to the tagging site, positioning means for automatically positioning a distal tag of the strip at the tagging site, wherein the cartridge is filled with the continuous strip of tags being wound on a reel, and a distal section of the strip, being external of the cartridge, is operatively connectable with the supply means.

[0008] An important aspect of this new device is the fact that the device is not hand-held but self-supporting (for example suitable for standing on a floor or hanging down from a ceiling), in combination with an automatic sequential supply of tags from a cartridge which cartridge is filled with a continuous strip of tags. Applicant realized that for significantly decreasing the time needed to tag a large number of animals, it is very important that the supply of tags to the tagging site, i.e. the position of the

application means where the tag is actually applied to an animal, requires hardly any operator intervention. Prior art solutions using cartridges are available, but still the operator has to re-load the cartridge typically after 5-15 animals have been tagged. Indeed, the number of tags in these cartridges cannot be increased significantly for these prior art devices since the operator has to manually carry the device including the cartridge. It was applicant's recognition that by using a self-supporting device, this restriction no longer applies, and larger cartridges containing many more tags assembled in the form of a continuous strip can be used. This in its turn enables factory filling of the cartridge, so that for the filling of the cartridge with tags no operator action is needed at all. In combination, this has led to a device and method allowing an operator to apply significantly more tags per hour to animals than with existing devices, without increasing, or even decreasing, the physical burden for the operator.

[0009] The invention enables a method for applying tags to n animals confined in an animal keeping space (such as a corral, stable, trailer etc.), n being a natural number greater than 2, comprising installing the tag application device, taking a first cartridge which is factory filled with a continuous strip of tags, removing a distal section of the strip from the first cartridge, and operatively connecting this section with the supply means of the tag application device, automatically supplying a distal tag of the strip to the tagging site, and automatically positioning this distal tag at this site, taking a first animal and bringing a body portion of this animal to the tagging site, applying a tag to the animal's body portion at the tagging site using the application means, releasing the first animal and taking a second one, repeating the tagging operation until n animals are tagged, and when the first cartridge is empty, replacing it with a second one by removing a distal section of the strip contained in this second cartridge, and operatively connecting this section with the supply means of the tag application device. This way, very conveniently a large number of animals can be tagged in a short amount of time.

[0010] Lastly, the invention pertains to the cartridge for use in a combination according to the invention, wherein the cartridge is filled with a continuous strip of tags being wound on a reel.

Definitions

[0011] "Self-supporting" means to be able and used without being held or supported by an operator.

[0012] A "tag" is a label, for external application to an animal's body part (for example an ear, a wing, a leg etc.), suitable for identification or recognition of the animal. Typical examples are items of plastic, leather, paper or metal in the form of a strip or in the form of interconnectable disc-like (or otherwise shaped) articles. The term "tag" thus also comprises an item which, when connected with another item, forms a functional tag for an animal. Such (often two-part) tags are known i.a. from BE 1008924A3.

[0013] A "cartridge" is a modular unit designed to be used in connection with main equipment, wherein the unit is suitable for containing a consumable to be used by the main equipment.

[0014] A "continuous strip" means a strip comprising at least 20 adjacent items, typically more than 50, preferably more than 100, more preferably over 250, up to even 1000 or more items. The strip may be in the form of one single tape (optionally for example folded or wound), or an assembly of tapes arranged side-by-side (to form a plane) or in any other way.

[0015] "Automatic" means without operator intervention. The term "automatic" does not exclude that an action is operator initiated or stopped, but actual execution of the action needs no help from an operator.

[0016] "Factory filled" means industrial filling at a supplier's site, after which a filled pack (cartridge, magazine etc.) is sent to an end-user who actually applies the items contained in the pack for their intended purpose.

[0017] An "empty cartridge" means a cartridge which no longer has a functional stock of material contained therein. This means that there can still be material inside of the cartridge, but this can no longer be used in the same effective way when compared to a situation wherein the cartridge is not "empty". For example in the case of tags, when the cartridge solely contains 50 separated (e.g. individual or twinned) tags, no longer assembled in the form of a continuous strip, these tags cannot be used in the same effective way as compared to a situation wherein these tags are assembled as a continuous strip.

Embodiments of the invention

[0018] In an embodiment the cartridge is separate from the device. In the prior art, cartridges are used that are actually part of or at least connected to the device. This limits the design of the device as well as the cartridge. Applicant recognised that a separate

cartridge allows the same principle advantages to be obtained, whereas the design constraints are less strict. This enables to decrease production costs significantly, for example since one can make use of a standardized pack, such as a simple carton box or reel, as a cartridge.

[0019] In yet another embodiment, the tags of the strip are interconnected. It is known from the prior art to use a strip of unconnected tags carried on a longitudinal tape, for example as described in from BE 1008924. However, in such a constitution one needs an additional carrying material next to the tags. This material is an extra supply which has to be removed from the tags and disposed of which is disadvantageous in the present device. Applicant recognized that by interconnecting the tags, for example by welding such as known from EP 1 690 451 A1, in particular section [0033], this problem can be overcome.

[0020] In another embodiment the supply means comprise a guide and a motor separate from that guide. A guide can be advantageously used to reliably steer the strip towards the tagging site. Such a guide may for example be a curved rail, part of reel, sprocket wheel or other guiding means. It is known to incorporate a motor in the guide means, for example by combining a sprocket with an electromotor. However, combining these functions decreases the design freedom of the device. Applicant therefore proposes to separate the drive function from the guide function, and use a motor separate from the guide.

[0021] In another embodiment the device comprises a detector to detect the presence of an animal's body portion, in particular an ear, at the tagging site. A detector for detecting the presence of an animal's body portion at the tagging site increase the reliability of the device but also further increases the speed at which tags can be applied since no operator decision is needed to actually apply a tag. As soon as the body portion is in place, the tag will be applied.

[0022] The invention will now be described in more detail by showing an embodiment of the device, cartridge and method of using the same.

Examples

[0023]

Figure 1 schematically shows a device according to the invention, in conjunction with a piglet's body portion to which an ear tag is applied

Figure 2 schematically shows another view of this device, also depicting a cartridge wherein continuous strips of tags are contained.

[0024] Example 1 describes a method of using the device and cartridges.

Figure 1

[0025] In figure a tag application device 1 according to the present invention is schematically shown. Basis of this self-supporting device 1 is frame 2, which frame extends to a carrier surface 4 via support-column 3. The carrier surface is provided with wheels 5, 6 and 7 to enable easy movement of the device. The carrier surface 4 has an extension 10 (only partly shown in Figure 1) for carrying tools or other items that are not part of the device as such.

[0026] The device comprises as a prime part the tag application means 15, which on its turn comprises a shaft 16 which is devised for actual application of a tag to an animal. For this, shaft 16 can be pushed in the direction of tag 20 (a so-called "male"-part), which tag is then pushed in the direction of tag 21 (a so-called "female"-part; which part rests on a support having a hole in its middle) in order for the two tags to be connected and constitute a functional tag in the body portion of animal 100, in this case a piglet's ear. The principle of constituting one functional tag by connecting two tags, one being a male-part and the other being a female-part, by pushing the male part through the female part by making use of a push shaft is commonly known in the art.

[0027] The tags are guided via guide means 30 and 31, which means extend from a position adjacent the tagging site (i.e. the site in between tags 20 and 21, where the piglet's ear rests), to the external of the device, where the guide means each form a curve that bends towards extension 10. Guide means 31 guides a continuous strip 200 of male ear tags, the tags being

interconnected by means of welding as described in section [0033] of EP 1 690 451. Guide means 30 guides a continuous strip 210 of female ear tags, interconnected in the same way. In operation, distal tag 220 of strip 200 and distal tag 221 of strip 210 are first cut of the strip by using blades 46 and 47 which are part of cutting device 45. After these two distal tags have been cut off, wheels 32 and 33, which respectively grasp strips 200 and 210 by having pins 35 enter into an adjacent tag of the strips, are attracted by electromagnets 50 and 51. This way, the strips are guided in the direction of the tagging site. The cut off tags 220 and 221 are pushed forward to take the position of tags 20 and 21. Automatic positioning takes place since the forward movement is stopped when the tags hit datum 60, which serves as a reference position. After that, the wheels 32 and 33 are released by the electromagnets and brought back in their original position. The wheels than each turn (wheel 32 clockwise by using electro motor 40; wheel 33 counter clockwise by using electro motor 41) to bring the next pin 35 in grasping connection with the next upstream tag. This way, the distal tags of each of the strips reaches the same position as tags 220 and 221 have in Figure 1.

[0028] Device 1 comprises a detector to detect the presence of an ear at the tagging site. This detector comprises a light source 65 and a sensor 66. When an ear is present in a position as indicated in Figure 1, the sensor receives an amount of light below the a predetermined threshold value. This is the trigger for tagging means 15 to push shaft 16 in the direction of tag 21. Immediately after the distal end of the shaft has passed the position where tag 21 rests, the shaft is pulled back into its original position. A functional tag is then formed in the ear of the piglet.

Figure 2

[0029] Figure 2 schematically shows another view of this device 1, also depicting the cartridge 300 wherein continuous strips of tags (200 and 210) are contained. In this embodiment, the cartridge rests on extension 10 of the frame 2 of the device 1. The cartridge is no more than a simple carton box, comprising a lid 301. Internally of the box, two reels 305 and 306 are carried on an axle 310. Reel 305 has wound thereon strip 210. Reel 306 has wound thereon strip 200. The distal sections of the strips are in operative connection with guide means 30 and 31 respectively.

[0030] In another embodiment not according to the invention (not shown), the strips are folded in an S-like way in the cartridge. Folding items in an S-like way to fill a cartridge is as such known in the art, for example from EP 1 243 526. The advantage of folding the strips in an S-like way is that no additional support for the strips, such as reels, is needed. The S-shape allows easy and reliable withdrawal of a strip from the cartridge.

Example 1

[0031] In operation, firstly a cartridge 300 is placed on extension 10, whereafter lid 301 is opened. Because of the positioning of the reels 305 and 306 near the top of the opened cartridge 300, the distal sections of each of the strips 200 and 210 are inherently easy to grasp by an operator after the cartridge is opened (optionally after the reels are turned over). The distal sections of each of the strips 200 and 210 are then brought in operative connection with guides 31 and 30 respectively. For this, the distal sections are simply pushed forward over the guides in the direction of the tagging site unit each of the strips is grasped by wheels 32 and 33 respectively. From the on, the device takes over and automatically forwards the strips until a distal tag is brought in a position downstream of the cutting blades 46 and 47 (i.e. to a position taken by tags 220 and 221 in Figure 1). After that, the distal tags are automatically forwarded to the tagging site, at which site they are automatically positioned when they reach datum 60.

[0032] The device is now initiated for actual tagging to take place. For this to be accomplished, an operator (not shown) takes a piglet 100 and puts its ear into the device 1 at the tagging site. When the ear is entered to such an extent that it is sensed by sensor 66 of the detector, a tagging action is automatically initiated and completed. After this, the piglets ear is released and the piglet can be put down, or optionally the next ear of this piglet can be tagged. Since the forwarding of the next tags to the tagging site (as described under Figure 1) is completed within 1 second, the device is ready for applying a next tag almost immediately after a preceding tag has been applied. This way up to more than 1000 tags can be applied per hour without a heavy physical burden for the operator. As soon as the cartridge is empty and the proximal sections of the strips have passed the wheels 32 and 33, a new cartridge can be placed on extension 10. After opening, the strips contained therein are on their turn brought in operative connection with guides 30 and 31. The empty cartridge can be disposed of or sent back to the supplier's factory for refilling with continuous strips of ear tags. In case of the use of reels upon which the strips are wound, refilling of the cartridge, or at least the reels is preferred. In case the cartridge, not according to the invention, contains the strips in a folded manner, in which case the cartridge can be as simple as a carton box, the cartridge is preferably disposed.

REFERENCES CITED IN THE DESCRIPTION

This list of references cited by the applicant is for the reader's convenience only. It does not form part of the European patent document. Even though great care has been taken in compiling the references, errors or omissions cannot be excluded and the EPO disclaims all liability in this regard.

Patent documents cited in the description

- [EP0462902A \[0002\] \[0004\]](#)
- [GB2212092A \[0003\]](#)
- [FR2463581A \[0004\]](#)
- [NL1002477 \[0005\]](#)
- [DE19726467A \[0006\]](#)
- [BE1008924A3 \[0012\]](#)
- [BE1008924 \[0019\]](#)
- [EP1690451A1 \[0019\]](#)
- [EP1690451A \[0027\]](#)
- [EP1243526A \[0030\]](#)

P A T E N T K R A V

1. Kombination af en selvbærende mærkeanbringelsesindretning (1) og en patron (300) omfattende:

5

- en ramme (2), og forbundet med rammen (2),
- et mærkeanbringelsesorgan (15, 16) til anbringelse af et mærke (20, 21) på et dyr (100) på et mærkningssted,
- tilførselsorganer (31, 32, 40, 50; 30, 33, 41, 51) til sekventiel tilførsel af mærker, der er sammenføjjet i form af en kontinuerlig strimmel (200, 210), fra patronen (300) til mærkningsstedet,
- positioneringsorganer (60) til automatisk positionering af et distalt mærke fra strimlen (200, 210) på mærkningsstedet,

10

15

hvor patronen (300) fyldes med den kontinuerlige strimmel af mærker (200, 210), der er opviklet på en tromle (305, 306), og et distalt afsnit af strimlen, der befinder sig uden for patronen (300), kan forbindes driftsmæssigt med tilførselsorganerne (32, 35; 33, 35).

20

2. Kombination ifølge krav 1, **kendetegnet ved, at** patronen (300) er adskilt fra indretningen (1).

25

3. Kombination ifølge et hvilket som helst af de foregående krav, **kendetegnet ved, at** mærkerne (220, 221) fra strimlen (200, 210) er indbyrdes forbundet.

30

4. Kombination ifølge et hvilket som helst af de foregående krav, **kendetegnet ved, at** tilførselsorganerne omfatter en styreindretning (31; 30) og en motor (40; 41), der er adskilt fra styreindretningen.

30

5. Kombination ifølge et hvilket som helst af de foregående krav, **kendetegnet ved, at** den omfatter en detektor (65, 66) til at detektere tilstedeværelsen af et dyrs

kropsdel, især et øre, på mærkningsstedet.

5 6. Patron (300) til anvendelse i en kombination ifølge et hvilket som helst af de foregående krav, **kendetegnet ved, at** patronen (300) fyldes med en kontinuerlig strimmel af mærker (200, 210), der er opviklet på en tromle (305, 306).

7. Patron (300) ifølge krav 6, **kendetegnet ved, at** mærkerne er indbyrdes forbundne.

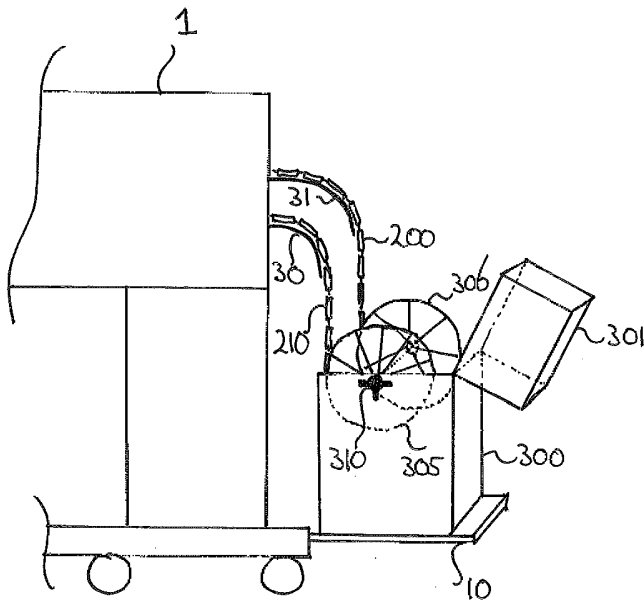


FIG. 2