



- (51) International Patent Classification:
G21C 15/243 (2006.01)
- (21) International Application Number:
PCT/US2012/040752
- (22) International Filing Date:
4 June 2012 (04.06.2012)
- (25) Filing Language:
English
- (26) Publication Language:
English
- (30) Priority Data:
61/457,791 3 June 2011 (03.06.2011) US
- (72) Inventor; and
- (71) Applicant : FILIPPONE, Claudio [US/US]; 8708 48th Place, College Park, MD 20740-2142 (US).
- (81) Designated States (unless otherwise indicated, for every kind of national protection available): AE, AG, AL, AM, AO, AT, AU, AZ, BA, BB, BG, BH, BR, BW, BY, BZ, CA, CH, CL, CN, CO, CR, CU, CZ, DE, DK, DM, DO, DZ, EC, EE, EG, ES, FI, GB, GD, GE, GH, GM, GT, HN, HR, HU, ID, IL, IN, IS, JP, KE, KG, KM, KN, KP, KR, KZ, LA, LC, LK, LR, LS, LT, LU, LY, MA, MD, ME, MG, MK, MN, MW, MX, MY, MZ, NA, NG, NI, NO, NZ, OM, PE, PG, PH, PL, PT, QA, RO, RS, RU, RW, SC, SD,

SE, SG, SK, SL, SM, ST, SV, SY, TH, TJ, TM, TN, TR, TT, TZ, UA, UG, US, UZ, VC, VN, ZA, ZM, ZW.

- (84) Designated States (unless otherwise indicated, for every kind of regional protection available): ARIPO (BW, GH, GM, KE, LR, LS, MW, MZ, NA, RW, SD, SL, SZ, TZ, UG, ZM, ZW), Eurasian (AM, AZ, BY, KG, KZ, RU, TJ, TM), European (AL, AT, BE, BG, CH, CY, CZ, DE, DK, EE, ES, FI, FR, GB, GR, HR, HU, IE, IS, IT, LT, LU, LV, MC, MK, MT, NL, NO, PL, PT, RO, RS, SE, SI, SK, SM, TR), OAPI (BF, BJ, CF, CG, CI, CM, GA, GN, GQ, GW, ML, MR, NE, SN, TD, TG).

Declarations under Rule 4.17:

- of inventorship (Rule 4.17(iv))

Published:

- with international search report (Art. 21(3))
- before the expiration of the time limit for amending the claims and to be republished in the event of receipt of amendments (Rule 48.2(h))

(88) Date of publication of the international search report:

7 March 2013

(54) Title: PASSIVE DECAY HEAT REMOVAL AND RELATED METHODS

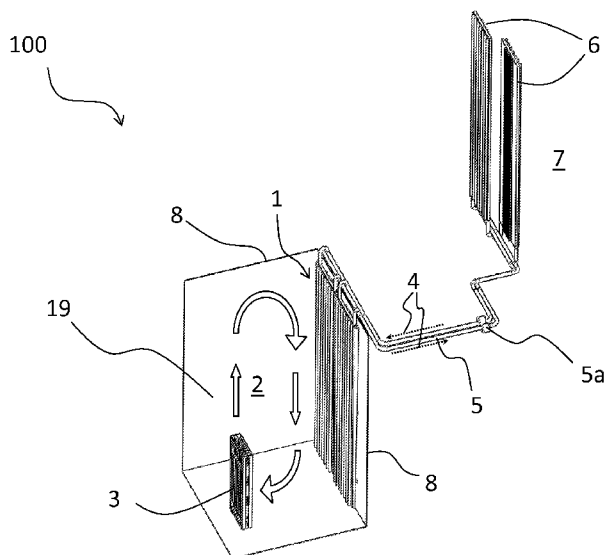


Fig. 1

(57) Abstract: Various embodiments of a passive cooling system and related methods are disclosed. According to one exemplary embodiment, a passive cooling system may include a first heat exchanger in thermal communication with a first fluid, a second heat exchanger in thermal communication with a second fluid, and a hydraulic circuit connecting between the first heat exchanger and the second heat exchanger. The second heat exchanger may be positioned at a higher elevation than the first heat exchanger, such that a working fluid inside the hydraulic circuit flows between the first and second heat exchanger via natural circulation.



A. CLASSIFICATION OF SUBJECT MATTER*G21C 15/243(2006.01)i*

According to International Patent Classification (IPC) or to both national classification and IPC

B. FIELDS SEARCHED

Minimum documentation searched (classification system followed by classification symbols)

G21C 15/243; G21C 9/012; G21C 9/00; G21C 15/18

Documentation searched other than minimum documentation to the extent that such documents are included in the fields searched

Korean utility models and applications for utility models

Japanese utility models and applications for utility models

Electronic data base consulted during the international search (name of data base and, where practicable, search terms used)

eKOMPASS(KIPO internal) & Keywords: decay heat, remove, cooling, first/second heat exchanger, hydraulic circuit, and higher elevation

C. DOCUMENTS CONSIDERED TO BE RELEVANT

Category*	Citation of document, with indication, where appropriate, of the relevant passages	Relevant to claim No.
Y A	US 5006303 A (IVOR T. ROWLANDS) 09 April 1991 See abstract; column 12, line 60 - column 13, line 7; and figure 1.	1,2,4,12,13,15,21 ,24,25 3,5-11,14,16-20,22 ,23,26
Y A	US 4753771 A (LAWRENCE E. CONWAY et al.) 28 June 1988 See abstract; column 6, lines 55-57; column 7, lines 9-19; and figures 1-4.	1,2,4,12,13,15,21 ,24,25 3,5-11,14,16-20,22 ,23,26
A	EP 0704860 A1 (FINMECCANICA S.P.A. AZIENDA ANSALDO) 03 April 1996 See abstract, claim 1, and figures 1-9.	1-26
A	US 4643871 A (MAURICE FAJEAU) 17 February 1987 See abstract, claim 1, and figure.	1-26
A	US 2005-0074083 A1 (ANDRIES CORNELIUS HAASBROEK et al.) 07 April 2005 See abstract and figures 1-4.	1-26

 Further documents are listed in the continuation of Box C. See patent family annex.

* Special categories of cited documents:

"A" document defining the general state of the art which is not considered to be of particular relevance

"E" earlier application or patent but published on or after the international filing date

"L" document which may throw doubts on priority claim(s) or which is cited to establish the publication date of citation or other special reason (as specified)

"O" document referring to an oral disclosure, use, exhibition or other means

"P" document published prior to the international filing date but later than the priority date claimed

"T" later document published after the international filing date or priority date and not in conflict with the application but cited to understand the principle or theory underlying the invention

"X" document of particular relevance; the claimed invention cannot be considered novel or cannot be considered to involve an inventive step when the document is taken alone

"Y" document of particular relevance; the claimed invention cannot be considered to involve an inventive step when the document is combined with one or more other such documents, such combination being obvious to a person skilled in the art

"&" document member of the same patent family

Date of the actual completion of the international search

18 JANUARY 2013 (18.01.2013)

Date of mailing of the international search report

21 JANUARY 2013 (21.01.2013)

Name and mailing address of the ISA/KR

Korean Intellectual Property Office
189 Cheongsu-ro, Seo-gu, Daejeon Metropolitan
City, 302-701, Republic of Korea

Facsimile No. 82-42-472-7140

Authorized officer

PARK, Hye Lyun

Telephone No. 82-42-481-3463



INTERNATIONAL SEARCH REPORT

Information on patent family members

International application No.

PCT/US2012/040752

Patent document cited in search report	Publication date	Patent family member(s)	Publication date
US 5006303 A	09.04.1991	EP 0071326 A2	09.02.1983
		EP 0071326 B1	09.10.1985
		JP 1643887 C	28.02.1992
		JP 3002277 B	14.01.1991
		JP 58-048894 A	22.03.1983
US 4753771 A	28.06.1988	EP 0232186 A2	12.08.1987
		EP 0232186 B1	10.04.1991
		JP 1983633 C	25.10.1995
		JP 62-187291 A	15.08.1987
		JP 7015507 B2	22.02.1995
		KR 10-1995-0011978 B1	13.10.1995
EP 0704860 A1	03.04.1996	DE 69422402 D1	03.02.2000
		DE 69422402 T2	03.08.2000
		EP 0704860 B1	29.12.1999
		ES 2140520 T3	01.03.2000
US 4643871 A	17.02.1987	EP 0029372 A1	27.05.1981
		EP 0029372 B1	23.05.1984
		JP 2039759 B	06.09.1990
		JP 56-076098 A	23.06.1981
US 2005-0074083 A1	07.04.2005	None	