



(12) **United States Design Patent**
Zayas

(10) **Patent No.:** **US D600,096 S**
(45) **Date of Patent:** **** Sep. 15, 2009**

- (54) **RDC ADAPTER KEY**
- (75) Inventor: **Betty Jean Zayas**, Bridgeport, CT (US)
- (73) Assignee: **Light Sources, Inc.**, Orange, CT (US)
- (**) Term: **14 Years**
- (21) Appl. No.: **29/334,967**
- (22) Filed: **Apr. 6, 2009**
- (51) **LOC (9) Cl.** **08-07**
- (52) **U.S. Cl.** **D8/347**
- (58) **Field of Classification Search** D8/347,
D8/348; 70/336, 344, 382, 390, 393, 416,
70/419, 429, 430, 447, 460, DIG. 14; D3/207-212
See application file for complete search history.

(56) **References Cited**

U.S. PATENT DOCUMENTS

5,000,019	A *	3/1991	Foster	70/338
5,819,569	A *	10/1998	Herdman	70/420
6,314,774	B1 *	11/2001	Andersson	70/358
D457,051	S *	5/2002	Davis	D8/347
6,634,197	B2 *	10/2003	Widen et al.	70/369
D594,733	S *	6/2009	Agresta	D8/347
D595,113	S *	6/2009	Agresta	D8/347
2005/0136742	A1 *	6/2005	Szolyga	439/630
2009/0051486	A1 *	2/2009	Denison et al.	340/5.25
2009/0165514	A1 *	7/2009	Fredriksson et al.	70/449

* cited by examiner

Primary Examiner—Prabhakar Deshmukh
(74) *Attorney, Agent, or Firm*—Cantor Colburn LLP

(57) **CLAIM**

The ornamental design for a RDC adapter key, as shown and described.

DESCRIPTION

FIG. 1 is a front perspective view of a RDC adapter key showing my new design;

FIG. 2 is a rear perspective view of FIG. 1;

FIG. 3 is a top view of FIG. 1;

FIG. 4 is a front view of FIG. 1;

FIG. 5 is a side view of FIG. 1;

FIG. 6 is a rear view of FIG. 1.;

FIG. 7 is a cross sectional view along line 7—7 of FIG. 5;

FIG. 8 is a cross sectional view along line 8—8 of FIG. 6;

FIG. 9 is front perspective view of a RDC adapter key showing in its environmental use;

FIG. 10 is a rear perspective view of FIG. 9;

FIG. 11 is a top view of FIG. 9;

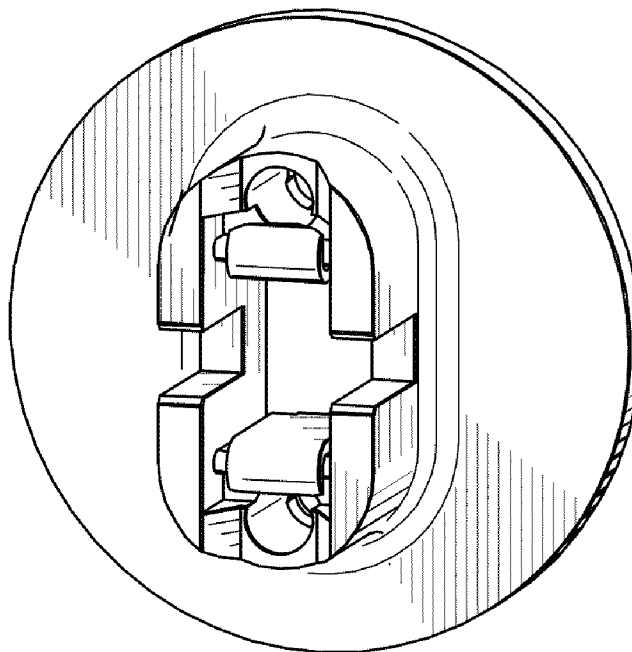
FIG. 12 is a front view of FIG. 9;

FIG. 13 is a side view of FIG. 9; and,

FIG. 14 is a rear side view of FIG. 9.

The broken lines environment in FIGS. 9—14 is for illustrative purpose only and forms no part of the claimed design.

1 Claim, 6 Drawing Sheets



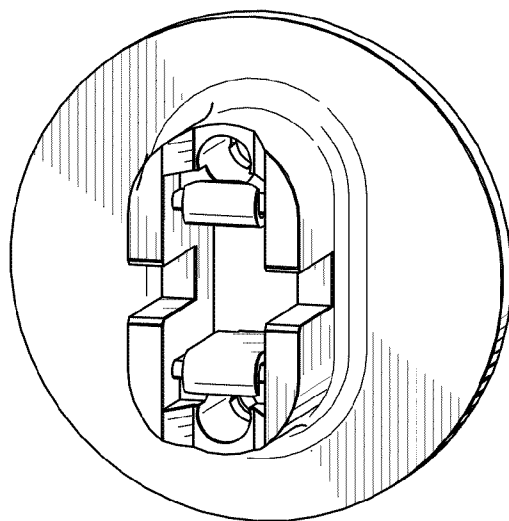


Fig. 1

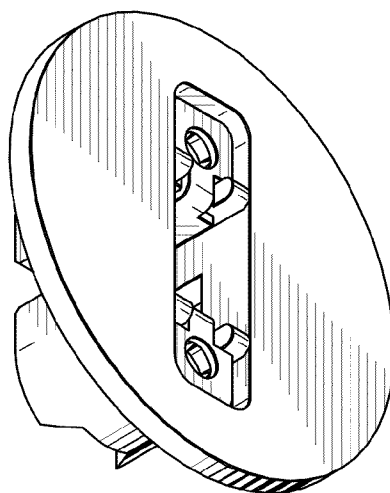


Fig. 2

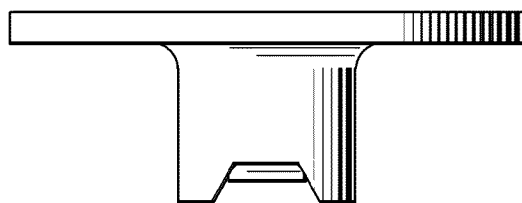


Fig. 3

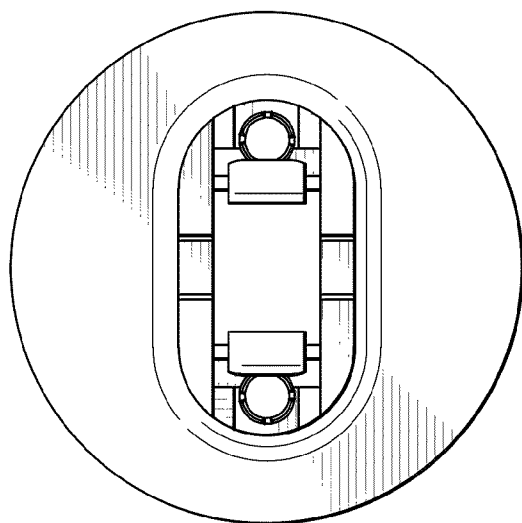


Fig. 4

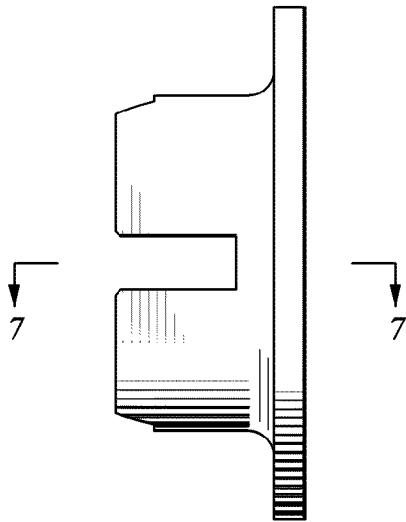


Fig. 5

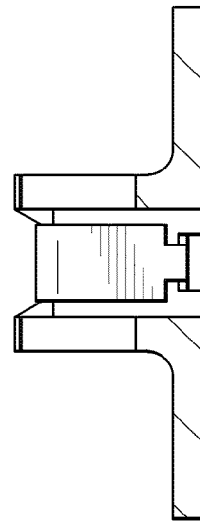


Fig. 7

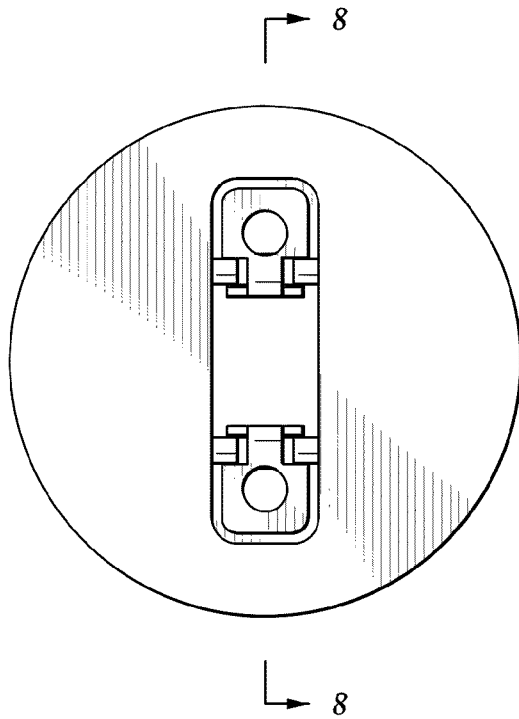


Fig. 6

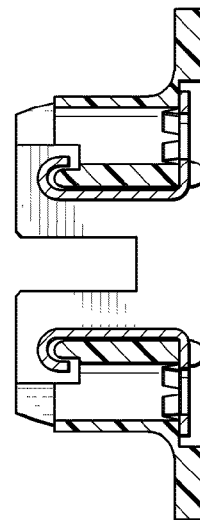


Fig. 8

Fig. 9

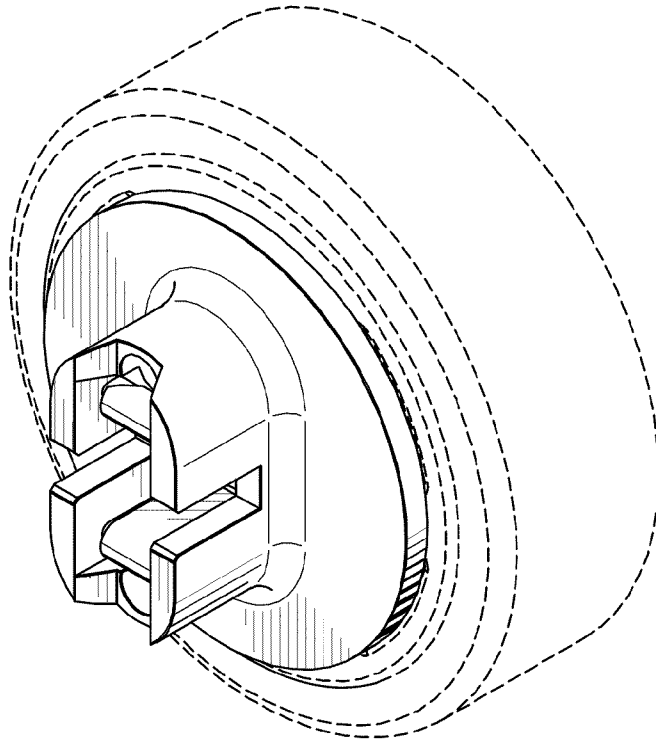
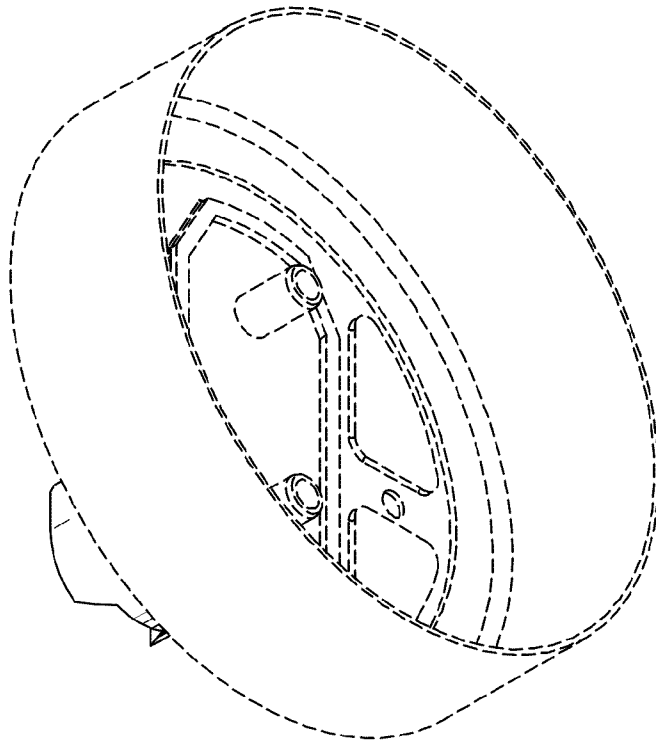


Fig. 10



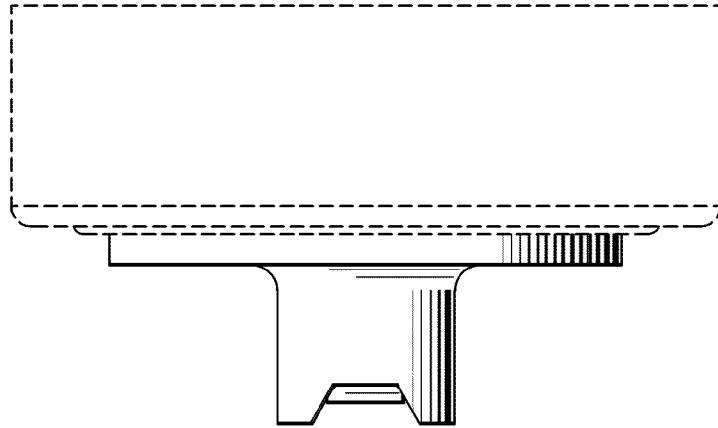


Fig. 11

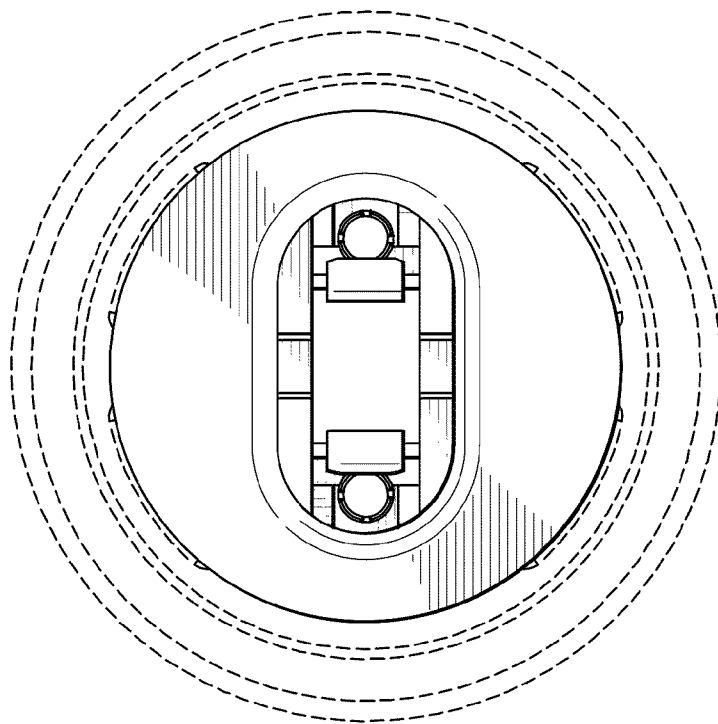


Fig. 12

Fig. 13

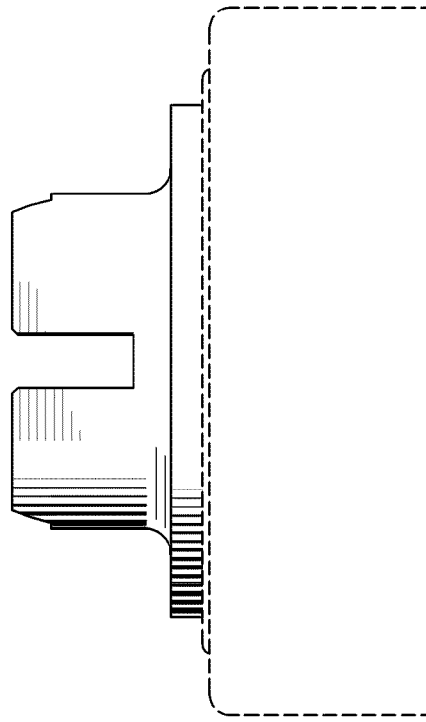


Fig. 14

