

(19) World Intellectual Property Organization
International Bureau



(43) International Publication Date
15 June 2000 (15.06.2000)

PCT

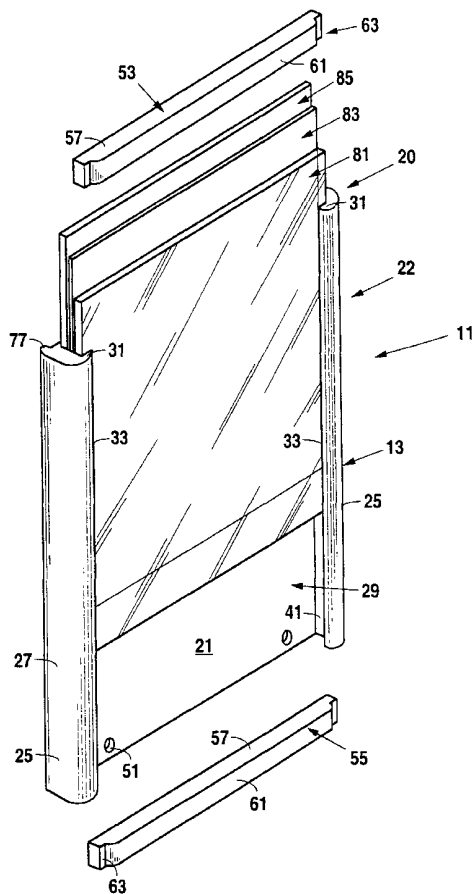
(10) International Publication Number
WO 00/34603 A3

- (51) International Patent Classification⁷: E05B 1/00, 7/00, G09F 3/18
- (21) International Application Number: PCT/US99/19403
- (22) International Filing Date: 26 August 1999 (26.08.1999)
- (25) Filing Language: English
- (26) Publication Language: English
- (30) Priority Data:

| | | |
|------------|------------------------------|----|
| 09/207,221 | 8 December 1998 (08.12.1998) | US |
| 60/141,804 | 29 June 1999 (29.06.1999) | US |
| 09/370,133 | 5 August 1999 (05.08.1999) | US |
- (71) Applicant (for all designated States except US): EXCLUSIVE DOOR HANDLES, INC. [US/US]; Suite 101, 7017 John Carpenter Freeway, Dallas, TX 75247 (US).
- (72) Inventors; and
- (75) Inventors/Applicants (for US only): OLIVIER, Archie, A. [US/US]; 3708 Saddlehead Drive, Plano, TX 75075 (US). BECKER, William, E. [US/US]; 4307 Hollow Oak Drive, Dallas, TX 75287 (US).
- (74) Agent: DRUCE, Tracy, W.; Royston, Rayzor, Vickery, Novak & Druce, L.L.P., Suite 2000, 111 Soledad, San Antonio, TX 78205 (US).
- (81) Designated States (national): AE, AL, AM, AT, AU, AZ, BA, BB, BG, BR, BY, CA, CH, CN, CU, CZ, DE, DK, EE, ES, FI, GB, GD, GE, GH, GM, HR, HU, ID, IL, IN, IS, JP, KE, KG, KP, KR, KZ, LC, LK, LR, LS, LT, LU, LV, MD, MG, MK, MN, MW, MX, NO, NZ, PL, PT, RO, RU, SD, SE, SG, SI, SK, SL, TJ, TM, TR, TT, UA, UG, US, UZ, VN, YU, ZA, ZW.
- (84) Designated States (regional): ARIPO patent (GH, GM, KE, LS, MW, SD, SL, SZ, UG, ZW), Eurasian patent (AM,

[Continued on next page]

(54) Title: DOOR HANDLE WITH INTERCHANGEABLE GRAPHIC DISPLAY



(57) Abstract: A door handle which is adapted for receiving display inserts. The handle (11) includes a body adapted to be coupled to a door (10) of an enclosure. A receiving space (19) is provided for exchangeably receiving a display insert (83). A releasable closure mechanism (53, 55) is adapted for insertion and removal of the insertes from the receiving space. The insert has at least two substantially planar members to fill the receiving space so that they are held when installed therein. A protective front facing planar member (81) is located at a front face of the door handle. A graphic display containing intermediate planar member (83) is positioned behind the protective front facing planar member. The intermediate planar member is oriented so that a graphic display of the intermediate planar member is visible through the protective front facing planar member (81) by a person upon approach to the door handle.



WO 00/34603 A3



AZ, BY, KG, KZ, MD, RU, TJ, TM), European patent (AT, BE, CH, CY, DE, DK, ES, FI, FR, GB, GR, IE, IT, LU, MC, NL, PT, SE), OAPI patent (BF, BJ, CF, CG, CI, CM, GA, GN, GW, ML, MR, NE, SN, TD, TG).

(88) Date of publication of the international search report:
3 May 2001

Published:

— With international search report.

For two-letter codes and other abbreviations, refer to the "Guidance Notes on Codes and Abbreviations" appearing at the beginning of each regular issue of the PCT Gazette.

INTERNATIONAL SEARCH REPORT

International application No.
PCT/US99/19403

A. CLASSIFICATION OF SUBJECT MATTER

IPC(7) : E05B 1/00, 7/00; G09F 3/18
US CL : 40/661.12, 325, 331, 725; 16/111R, 114R

According to International Patent Classification (IPC) or to both national classification and IPC

B. FIELDS SEARCHED

Minimum documentation searched (classification system followed by classification symbols)

U.S. : 40/661.12, 325, 331, 725; 16/111R, 114R

Documentation searched other than minimum documentation to the extent that such documents are included in the fields searched

Electronic data base consulted during the international search (name of data base and, where practicable, search terms used)

C. DOCUMENTS CONSIDERED TO BE RELEVANT

| Category* | Citation of document, with indication, where appropriate, of the relevant passages | Relevant to claim No. |
|---------------|--|--|
| X --- Y | US 2,931,078 A (BEYRLE) 05 April 1960 (05/04/60), see Figures 1-6. | 1, 3, 4, 11, 12, 14-16, 20-23, 29, 30 ----- 1, 5-10, 13, 17- 19, 25-28, 32-38 |

Further documents are listed in the continuation of Box C. See patent family annex.

| | |
|---|--|
| * Special categories of cited documents: | "T" later document published after the international filing date or priority date and not in conflict with the application but cited to understand the principle or theory underlying the invention |
| "A" document defining the general state of the art which is not considered to be of particular relevance | "X" document of particular relevance; the claimed invention cannot be considered novel or cannot be considered to involve an inventive step when the document is taken alone |
| "E" earlier document published on or after the international filing date | "Y" document of particular relevance; the claimed invention cannot be considered to involve an inventive step when the document is combined with one or more other such documents, such combination being obvious to a person skilled in the art |
| "L" document which may throw doubts on priority claim(s) or which is cited to establish the publication date of another citation or other special reason (as specified) | "&" document member of the same patent family |
| "O" document referring to an oral disclosure, use, exhibition or other means | |
| "P" document published prior to the international filing date but later than the priority date claimed | |

Date of the actual completion of the international search
04 MAY 2000

Date of mailing of the international search report
05 JAN 2001

Name and mailing address of the ISA/US
Commissioner of Patents and Trademarks
Box PCT
Washington, D.C. 20231

Authorized officer
Andrea Chop
ANDREA CHOP

Facsimile No. (703) 305-3230

Telephone No. (703)305-6358

INTERNATIONAL SEARCH REPORT

International application No.
PCT/US99/19403

C (Continuation). DOCUMENTS CONSIDERED TO BE RELEVANT

| Category* | Citation of document, with indication, where appropriate, of the relevant passages | Relevant to claim No. |
|---------------|--|--|
| X --- Y | GB 1020352 A (HEALEY MOULDING LTD) 16 February 1966, (16/02/66), see Figures 1-2. | 1, 3, 4, 11, 12, 14-16, 20-24, 29, 30 ----- 5-10, 13, 17-19, 25-28, 32-38 |
| A | US 1,826,671 A (OHNSTRAND) 06 October 1931 (06/10/31), see Figures 1-2. | 1-38 |
| A | US 3,008,253 A (BELL JR) 14 November 1961 (14/11/61), see Figures 1-5. | 1-38 |