

(19) World Intellectual Property
Organization
International Bureau



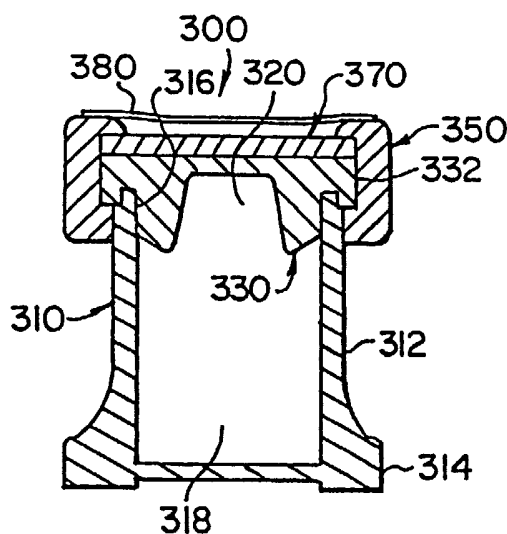
(43) International Publication Date
1 April 2004 (01.04.2004)

PCT

(10) International Publication Number
WO 2004/026695 A3

- (51) International Patent Classification⁷: **B65B 1/04**
- (21) International Application Number:
PCT/US2003/027545
- (22) International Filing Date:
3 September 2003 (03.09.2003)
- (25) Filing Language: English
- (26) Publication Language: English
- (30) Priority Data:
60/408,068 3 September 2002 (03.09.2002) US
- (71) Applicant (for all designated States except US): **MEDICAL INSTILL TECHNOLOGIES, INC.** [US/US]; 419 West Avenue, Stamford, CT 06902 (US).
- (72) Inventor; and
- (75) Inventor/Applicant (for US only): **PY, Daniel** [FR/US]; 419 West Avenue, Stamford, CT 06902 (US).
- (74) Agent: **GIARRATANA, Mark, D.**; McCarter & English, LLP, CityPlace I, 185 Asylum Street, Hartford, CT 06103 (US).
- (81) Designated States (national): AE, AG, AL, AM, AT, AU, AZ, BA, BB, BG, BR, BY, BZ, CA, CH, CN, CO, CR, CU, CZ, DE, DK, DM, DZ, EC, EE, ES, FI, GB, GD, GE, GH, GM, HR, HU, ID, IL, IN, IS, JP, KE, KG, KP, KR, KZ, LC, LK, LR, LS, LT, LU, LV, MA, MD, MG, MK, MN, MW, MX, MZ, NI, NO, NZ, OM, PG, PH, PL, PT, RO, RU, SC, SD, SE, SG, SK, SL, SY, TJ, TM, TN, TR, TT, TZ, UA, UG, US, UZ, VC, VN, YU, ZA, ZM, ZW.
- (84) Designated States (regional): ARIPO patent (GH, GM, KE, LS, MW, MZ, SD, SL, SZ, TZ, UG, ZM, ZW), Eurasian patent (AM, AZ, BY, KG, KZ, MD, RU, TJ, TM), European patent (AT, BE, BG, CH, CY, CZ, DE, DK, EE, ES, FI, FR, GB, GR, HU, IE, IT, LU, MC, NL, PT, RO, SE, SI, SK, TR), OAPI patent (BF, BJ, CF, CG, CI, CM, GA, GN, GQ, GW, ML, MR, NE, SN, TD, TG).
- Published:
— with international search report
- (88) Date of publication of the international search report:
1 July 2004
- For two-letter codes and other abbreviations, refer to the "Guidance Notes on Codes and Abbreviations" appearing at the beginning of each regular issue of the PCT Gazette.

(54) Title: SEALED CONTAINERS AND METHODS OF MAKING AND FILLING SAME



(57) Abstract: A medicament vial assembly includes a storage vial (310), a stopper member (330) and a securing ring (350, 370). The storage vial has a body portion (312) which defines an interior chamber (318) for storing a predetermined medicament and a neck portion through which medicament is received into and withdrawn from the interior chamber. The stopper member (330) is inserted into the mouth of the vial and establishes a first seal. The securing ring (350, 370) is engaged with the mouth of the vial and adapted and configured for retaining the stopper member (330) within the vial mouth and effectuating a second seal.

WO 2004/026695 A3

INTERNATIONAL SEARCH REPORT

International application No.

PCT/US03/27545

A. CLASSIFICATION OF SUBJECT MATTER

IPC(7) : B65B 1/04
 US CL : 141/329; 53/403; 215/347; 604/256

According to International Patent Classification (IPC) or to both national classification and IPC

B. FIELDS SEARCHED

Minimum documentation searched (classification system followed by classification symbols)
 U.S. : B65B 1/04

Documentation searched other than minimum documentation to the extent that such documents are included in the fields searched

Electronic data base consulted during the international search (name of data base and, where practicable, search terms used)

C. DOCUMENTS CONSIDERED TO BE RELEVANT

Category *	Citation of document, with indication, where appropriate, of the relevant passages	Relevant to claim No.
X,T --- Y,T	US 2003/0098286 A1 (BLOOM et al.) 29 May 2003 (29.05.2003), entire document.	1-4 ----- 5-9, 11, 21-23, 26-37 and 41
X ---P Y	US 6,568,439 B1 (SE et al.) 27 May 2003 (27.05.2003), entire document.	1-4 and 10 ----- 5-8, 11, 21-23, 26-37 and 41
X --- Y	US 4,251,003 A (BODENMANN) 17 February 1981 (17.02.1981), entire document.	1-4 ----- 5-9, 11, 21-23, 26-37 and 41

Further documents are listed in the continuation of Box C.

See patent family annex.

* Special categories of cited documents:

"A" document defining the general state of the art which is not considered to be of particular relevance

"E" earlier application or patent published on or after the international filing date

"L" document which may throw doubts on priority claim(s) or which is cited to establish the publication date of another citation or other special reason (as specified)

"O" document referring to an oral disclosure, use, exhibition or other means

"P" document published prior to the international filing date but later than the priority date claimed

"T" later document published after the international filing date or priority date and not in conflict with the application but cited to understand the principle or theory underlying the invention

"X" document of particular relevance; the claimed invention cannot be considered novel or cannot be considered to involve an inventive step when the document is taken alone

"Y" document of particular relevance; the claimed invention cannot be considered to involve an inventive step when the document is combined with one or more other such documents, such combination being obvious to a person skilled in the art

"&" document member of the same patent family

Date of the actual completion of the international search

01 March 2004 (01.03.2004)

Date of mailing of the international search report

09 APR 2004

Name and mailing address of the ISA/US

Mail Stop PCT, Attn: ISA/US
 Commissioner for Patents
 P.O. Box 1450
 Alexandria, Virginia 22313-1450

Facsimile No. (703) 305-3230

Authorized officer

Khoa D. Huynh

Telephone No. (703) 306-5483