



US00D813241S

(12) **United States Design Patent**
Wengreen

(10) **Patent No.:** **US D813,241 S**
(45) **Date of Patent:** **** Mar. 20, 2018**

- (54) **MOUNT FOR ELECTRONIC DEVICE**
- (71) Applicant: **Innovelis, Inc.**, Sammamish, WA (US)
- (72) Inventor: **Eric John Wengreen**, Sammamish, WA (US)
- (73) Assignee: **Innovelis, Inc.**, Sammamish, WA (US)
- (**) Term: **15 Years**
- (21) Appl. No.: **29/597,508**

4,467,244 A	8/1984	Dickie
4,519,656 A	5/1985	Raz
D280,466 S	9/1985	Seltzer
D282,034 S	1/1986	Janke
4,602,761 A	7/1986	Carter
4,697,780 A	10/1987	Wenkman
4,746,042 A	5/1988	King
4,771,927 A	9/1988	Ventura
4,815,683 A	3/1989	Ferrante
4,825,590 A	5/1989	Cullinane
4,826,115 A	5/1989	Novitski
4,840,773 A	6/1989	Wade

(Continued)

- (22) Filed: **Mar. 17, 2017**
- (51) **LOC (11) Cl.** **14-02**
- (52) **U.S. Cl.**
USPC **D14/434**; D14/496; D14/238.1
- (58) **Field of Classification Search**
USPC ... D14/217, 209.1, 432, 434, 188, 356, 439, D14/447, 454, 251; D8/373; D13/107, D13/108, 146; 248/176.1; 320/109, 320/112-115; 361/679.4, 679.31-679.33, 361/679.41, 679.55; 455/557, 34-351; 710/15, 303; D21/332, 333, 324
CPC F16M 11/02; F16M 11/04; A47F 5/00; A47F 5/10; G06F 1/16; G06F 1/1613
See application file for complete search history.

OTHER PUBLICATIONS

Apple TV, downloaded on Feb. 3, 2014 from <http://www.apple.com/appletv/what-is/>.

(Continued)

Primary Examiner — Prabhakar G Deshmukh

(57) **CLAIM**

The ornamental design for a mount for electronic device, as shown and described.

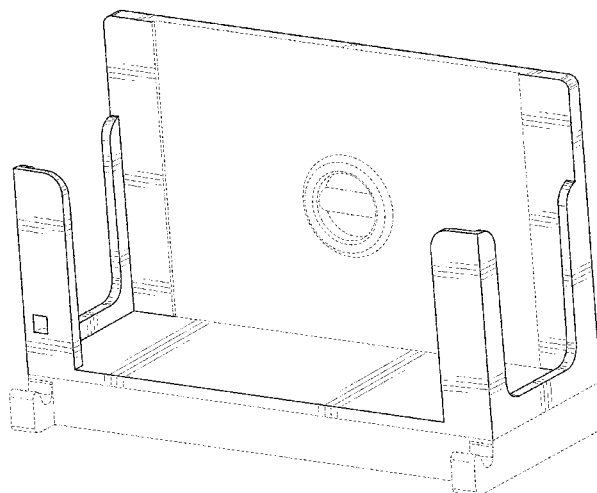
DESCRIPTION

FIG. 1 is a front, first side, and top perspective view of a mount for electronic device embodying the new design; FIG. 2 is a back, second side, and bottom perspective view thereof; FIG. 3 is a front view thereof; FIG. 4 is a back view thereof; FIG. 5 is a second side view thereof; FIG. 6 is a first side view thereof; FIG. 7 is a top view thereof; and, FIG. 8 is a bottom view thereof.

The uniform repeating broken lines depict portions of a mount for electronic device in which the claimed design is embodied and form no part of the claimed design.

1 Claim, 8 Drawing Sheets

- (56) **References Cited**
U.S. PATENT DOCUMENTS
- | | | |
|-------------|---------|------------|
| 1,618,573 A | 2/1927 | Cole |
| 2,584,646 A | 2/1952 | Wagstaff |
| 3,091,378 A | 5/1963 | O'Dwyer |
| D196,542 S | 10/1963 | Zelnick |
| 3,176,950 A | 4/1965 | Hittesdorf |
| 3,279,009 A | 10/1966 | Teasdale |
| 3,294,298 A | 12/1966 | Danielson |
| 3,477,679 A | 11/1969 | Lovitz |
| 3,990,617 A | 11/1976 | Carter |
| D242,766 S | 12/1976 | Neece |
| 4,067,532 A | 1/1978 | Viteretto |
| 4,158,450 A | 6/1979 | Suzuki |



(56)

References Cited

U.S. PATENT DOCUMENTS

4,852,843	A	8/1989	Chandler	D557,266	S	12/2007	Hughes	
4,974,764	A	12/1990	Cantwell	D560,411	S	1/2008	Chung	
D317,157	S	5/1991	Jondelius	D564,529	S	3/2008	Hughes	
5,038,985	A	8/1991	Chapin	D565,399	S	4/2008	Grey	
5,092,395	A	3/1992	Amidzich	D568,889	S	5/2008	Hughes	
5,227,582	A	7/1993	Velasco	7,367,089	B2	5/2008	Cooke	
5,273,690	A	12/1993	McDowell	D570,801	S	6/2008	Allen	
5,297,318	A	3/1994	Adolphson	D586,795	S	2/2009	Richter	
D351,341	S	10/1994	Hung	D592,206	S	5/2009	O'Brien	D12/415
5,385,282	A	1/1995	Chen	D596,172	S	7/2009	Ahlqvist	
5,400,990	A	3/1995	Frankel	D598,945	S	8/2009	Gillespie	
D359,616	S	6/1995	Ishibashi	7,580,255	B2	8/2009	Crooijmans	
D361,335	S	8/1995	Rudkiewicz	D601,000	S	9/2009	Cole	
D361,462	S	8/1995	Newham	D609,030	S	2/2010	Barabas	
D362,663	S	9/1995	Nguyen	D610,579	S	2/2010	Behar	
D369,465	S	5/1996	Scheid	D624,949	S	10/2010	Nakayama	
5,535,093	A	7/1996	Noguchi	D625,729	S	10/2010	McNames	
D376,787	S	12/1996	Calfee	D628,611	S	12/2010	Lewis	
5,593,124	A	1/1997	Wang	7,854,420	B2	12/2010	Depay	
5,619,395	A	4/1997	McBride	D633,503	S	3/2011	Bo	
5,619,774	A	4/1997	Perry	7,925,320	B2	4/2011	Pemble	B60R 11/0258 455/550.1
D388,107	S	12/1997	Huckins	7,959,121	B1	6/2011	Barnes	
D390,849	S	2/1998	Richter	7,980,435	B2	7/2011	Tages	
5,850,998	A	12/1998	Parsey	8,041,029	B2	10/2011	Wiegers	F16M 11/14 248/346.03
D407,408	S	3/1999	Hoff	D648,727	S	11/2011	Van Den Nieuwenhuizen	
D409,079	S	5/1999	Sobczynski	D657,362	S	4/2012	Lister	
5,899,371	A	5/1999	Weliver	D660,306	S	5/2012	Voorhees	D14/238.1
D411,542	S	6/1999	Richter	D662,491	S	6/2012	Andre	
5,914,707	A	6/1999	Kono	D667,411	S	9/2012	Kim	
5,961,083	A	10/1999	Hartman	D669,890	S	10/2012	Hopkins	
5,979,724	A	11/1999	Loewenthal	D672,308	S	12/2012	Cobbett	
D420,149	S	2/2000	Hersh	8,322,584	B2	12/2012	Dethmers	
6,039,173	A	3/2000	Crow	D686,629	S	7/2013	Trinh	
D425,353	S	5/2000	Foy	D690,707	S	10/2013	Minn	
6,073,901	A	6/2000	Richter	8,544,805	B2	10/2013	Virgin	
6,102,660	A	8/2000	Lee	D695,748	S	12/2013	Morris	
6,105,923	A	8/2000	Robertson	D700,832	S	3/2014	Ng	
D431,250	S	9/2000	Richter	8,668,179	B2	3/2014	Corn	F16M 13/00 248/181.1
6,163,997	A	12/2000	Deralas	D705,229	S	5/2014	Wengreen	
6,193,546	B1	2/2001	Sadler	D710,340	S	8/2014	Wengreen	
D443,493	S	6/2001	Skeem	D710,363	S	8/2014	Wengreen	
6,275,885	B1	8/2001	Chin	D710,836	S	8/2014	Wengreen	
6,336,615	B1	1/2002	Jeon	D712,906	S	9/2014	Wengreen	
D456,024	S	4/2002	Richter	D713,395	S	9/2014	Godycki	
D456,413	S	4/2002	Malson	D713,399	S	9/2014	Green	
6,445,290	B1	9/2002	Fingal	D713,849	S	9/2014	Kirwer	D12/416
6,485,144	B1	11/2002	Liao	8,847,549	B2	9/2014	Graham	
D471,547	S	3/2003	Ruohonen	8,848,113	B2	9/2014	Wengreen	
6,554,527	B1	4/2003	O'Donnell	D714,793	S	10/2014	Kim	
6,560,983	B1	5/2003	Schimmeyer	D716,580	S	11/2014	Wengreen	
6,657,868	B1	12/2003	Hsue	D717,307	S	11/2014	Chun	
				D717,804	S	11/2014	Budge	
				8,896,768	B1	11/2014	Wengreen	
6,691,374	B2	2/2004	Coyne	8,934,060	B1	1/2015	Wengreen	
6,888,940	B1	5/2005	Deppen	8,934,061	B1	1/2015	Wengreen	
D508,605	S	8/2005	Shih-Ming	8,939,417	B1	1/2015	Wengreen	
6,939,641	B2	9/2005	Kincaid	D723,042	S	2/2015	Lee	
6,983,126	B1	1/2006	Saalman	8,988,616	B2	3/2015	Wengreen	
D518,704	S	4/2006	Miao	9,019,698	B2	4/2015	Thiers	H04W 88/02 248/922
7,047,601	B1	5/2006	Vernon-Woods	D729,544	S	5/2015	Wengreen	
7,067,737	B2	6/2006	Mallen	D732,939	S	6/2015	Cannaverde	
7,079,384	B2	7/2006	Wang	D733,105	S	6/2015	Wengreen	
7,080,764	B2	7/2006	McNicholas	D733,542	S	7/2015	Cannaverde	
7,113,218	B2	9/2006	Battles	D733,691	S	7/2015	Wengreen	
D529,713	S	10/2006	Guyot	D734,305	S	7/2015	Wengreen	
D529,905	S	10/2006	Richter	D735,174	S	7/2015	Wengreen	
D530,713	S	10/2006	Richter	D739,410	S	9/2015	Chun	
D533,175	S	12/2006	Richter	9,131,195	B2	9/2015	Wengreen	
7,145,603	B2	12/2006	Whitby	D742,387	S	11/2015	Xiang	
D535,826	S	1/2007	Toghianian	D746,599	S	1/2016	Olson	
D536,239	S	2/2007	Tallman	D749,549	S	2/2016	Wengreen	
7,222,762	B2	5/2007	Rees	D749,597	S	2/2016	Wengreen	
D545,343	S	6/2007	Braun	D750,633	S	3/2016	Minn	
D547,863	S	7/2007	Heinsch	D751,563	S	3/2016	Wengreen	
D551,008	S	9/2007	Hidalgo	D752,415	S	3/2016	Lu	
D553,352	S	10/2007	Allen					

(56)

References Cited

U.S. PATENT DOCUMENTS

9,339,112 B2 *	5/2016	Wengreen	A47B 97/00
D759,005 S	6/2016	Murakami		
D761,236 S	7/2016	Wengreen		
D763,666 S	8/2016	Wengreen		
D763,835 S	8/2016	Wengreen		
D765,063 S	8/2016	Wengreen		
D765,064 S	8/2016	Wengreen		
D765,646 S	9/2016	Deng		
D765,651 S	9/2016	Liu		
D767,377 S	9/2016	Sekula		
D770,171 S	11/2016	Lai		
D772,217 S	11/2016	Alesi		
D777,167 S	1/2017	Wengreen		
9,543,082 B1	1/2017	Wengreen		
D779,466 S	2/2017	Wengreen		
D795,820 S	8/2017	Wengreen		
2005/0023419 A1	2/2005	Frankel		
2005/0211861 A1	9/2005	Lee		
2005/0236541 A1	10/2005	Chang		
2006/0224575 A1	10/2006	Ostojic		
2007/0097617 A1	5/2007	Searby		
2007/0235609 A1	10/2007	Chun		
2007/0264169 A1	11/2007	Chen		
2008/0078793 A1	4/2008	Brown		
2009/0218454 A1	9/2009	Stanley		
2009/0296997 A1	12/2009	RocheFord		
2010/0270190 A1	10/2010	Howard		

2010/0281671 A1	11/2010	De Vaan
2010/0288895 A1	11/2010	Shamie
2010/0314277 A1	12/2010	Murray
2011/0242439 A1	10/2011	Calderon
2012/0126081 A1	5/2012	Wengreen
2012/0127379 A1	5/2012	Wengreen
2012/0168516 A1	7/2012	Bolger
2012/0280014 A1	11/2012	Lopez-Apodaca
2012/0312950 A1	12/2012	Sears
2014/0061406 A1	3/2014	Chevalier
2014/0103179 A1	4/2014	Lipke
2014/0241705 A1	8/2014	Wengreen
2015/0070835 A1	3/2015	McLean
2015/0212544 A1	7/2015	Chen
2015/0305502 A1	10/2015	Wengreen
2016/0007735 A1	1/2016	Gallup
2016/0119458 A1	4/2016	Gunther
2016/0120295 A1	5/2016	Rowley
2016/0218535 A1	7/2016	Prete
2016/0234955 A1	8/2016	Wengreen
2016/0241289 A1	8/2016	Wieth

OTHER PUBLICATIONS

HIDE it Mounts—PS4 Wall Mount, downloaded from <https://www.amazon.com/HIDE-Mounts-Original-Wall-Mount-PlayStation/dp/B00PMLO4YK>, available at least as early as Sep. 8, 2015.

* cited by examiner

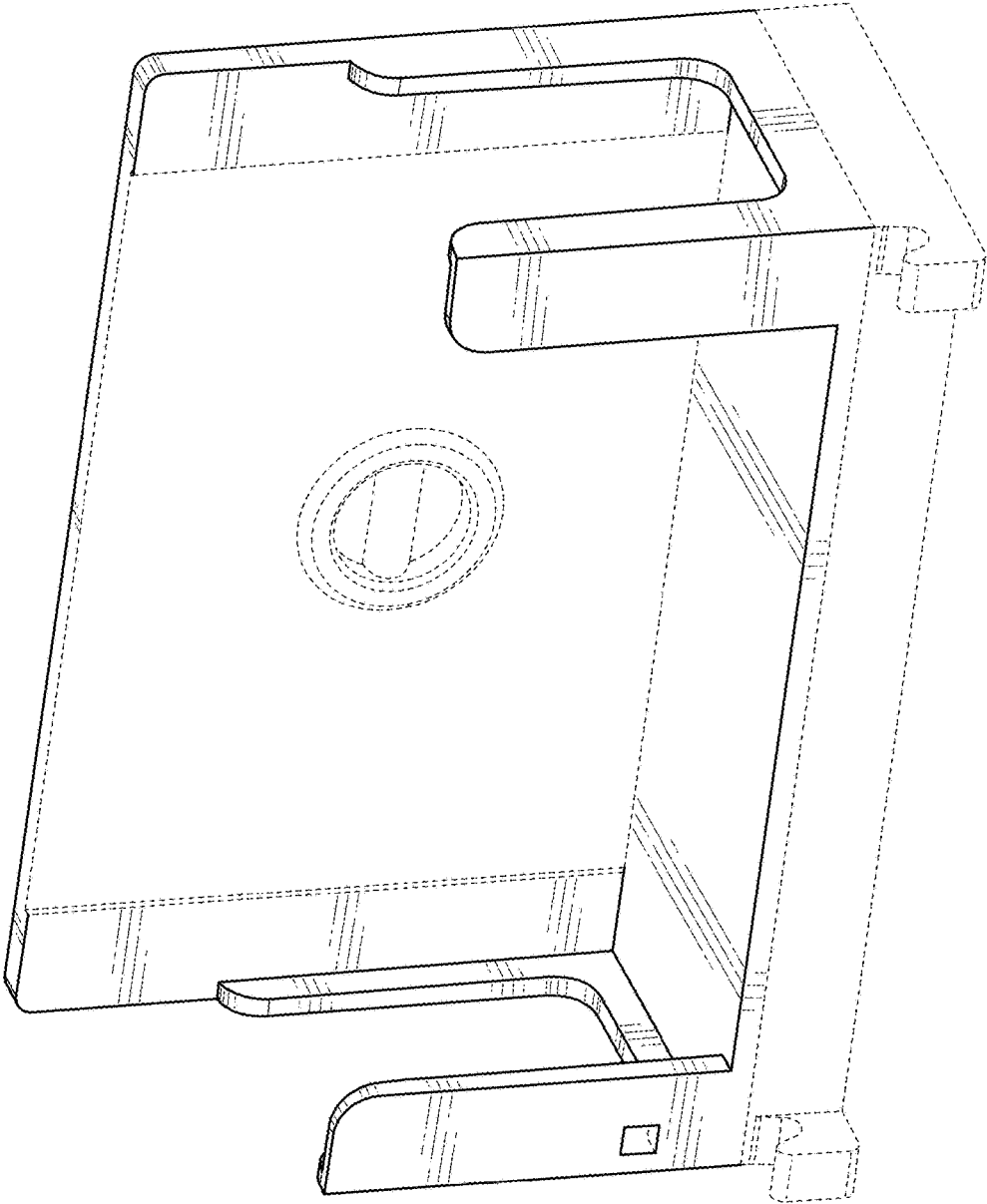


FIG. 1

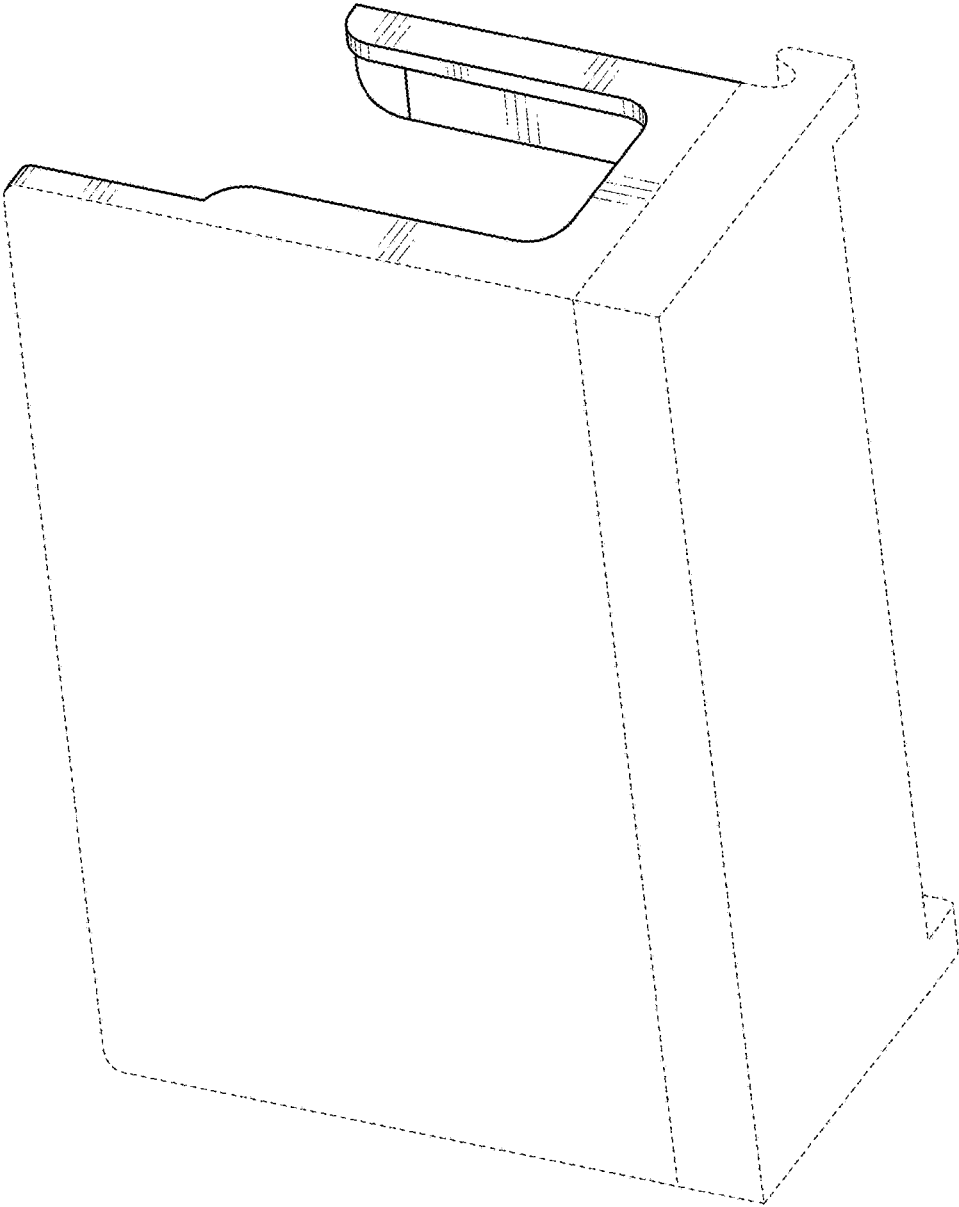


FIG. 2

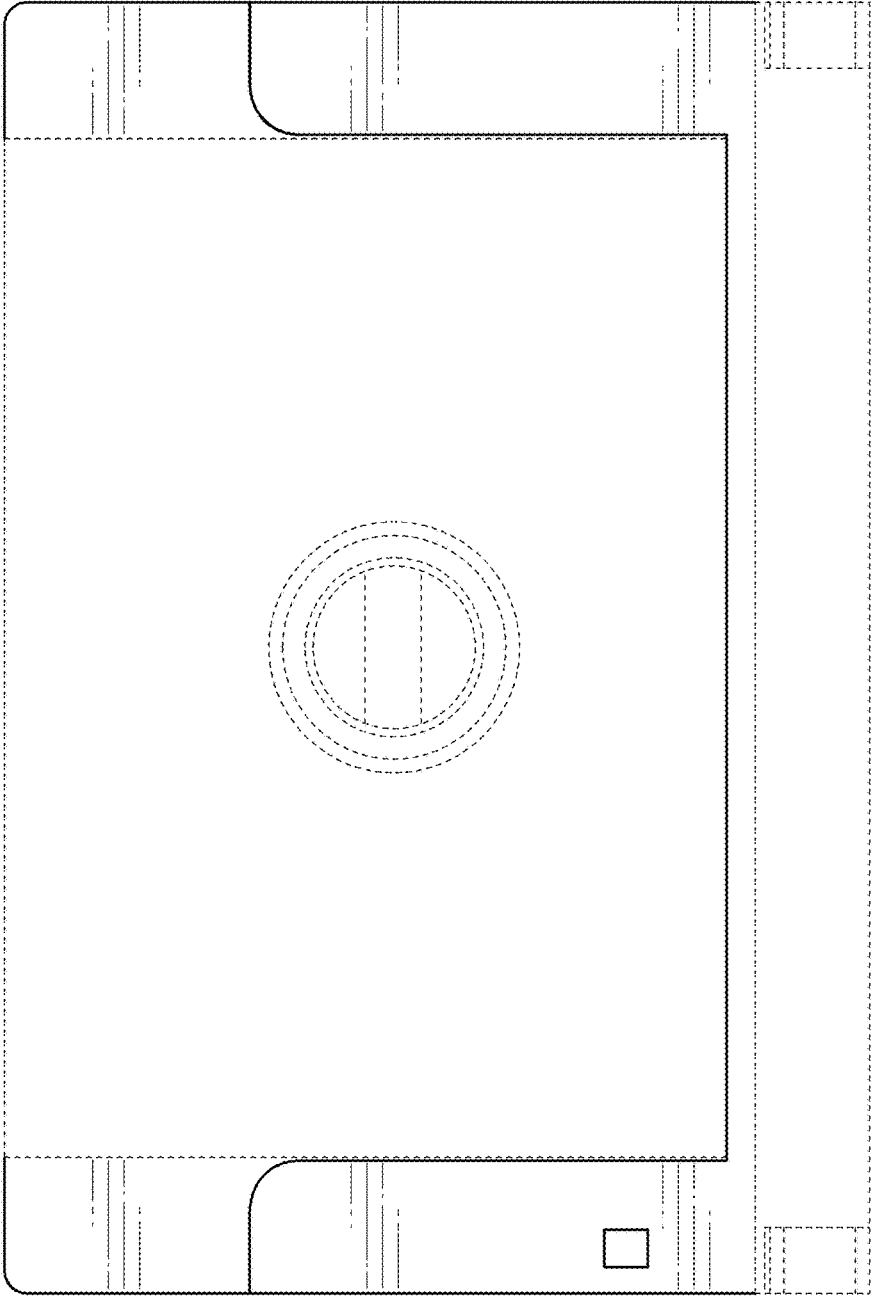


FIG. 3



FIG. 4

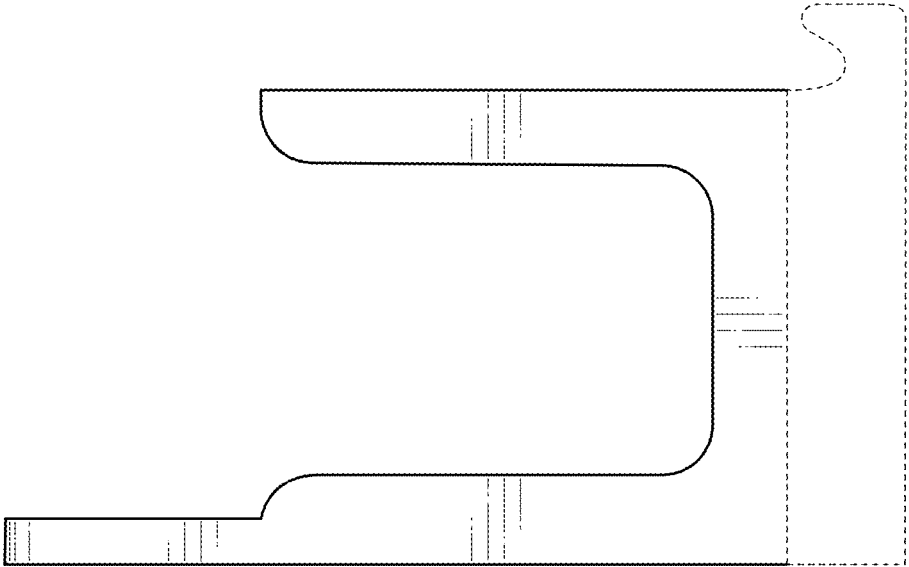


FIG. 5

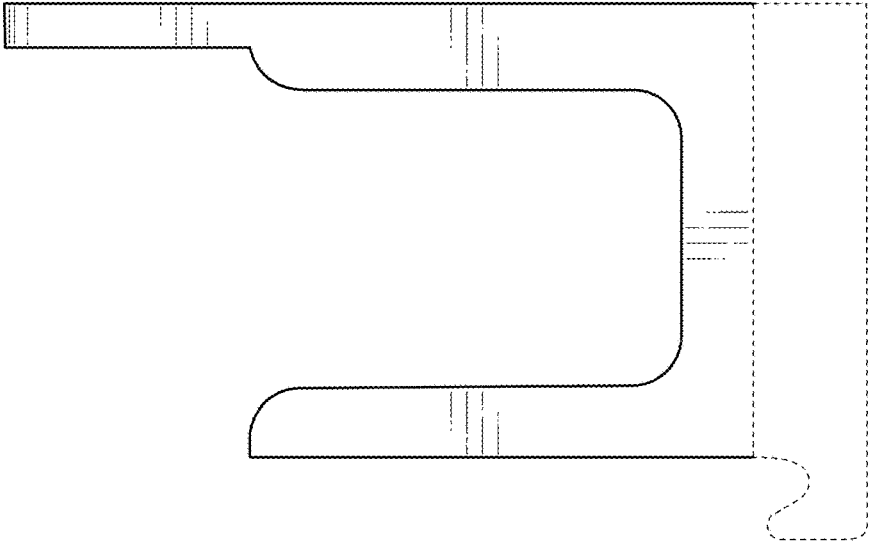


FIG. 6

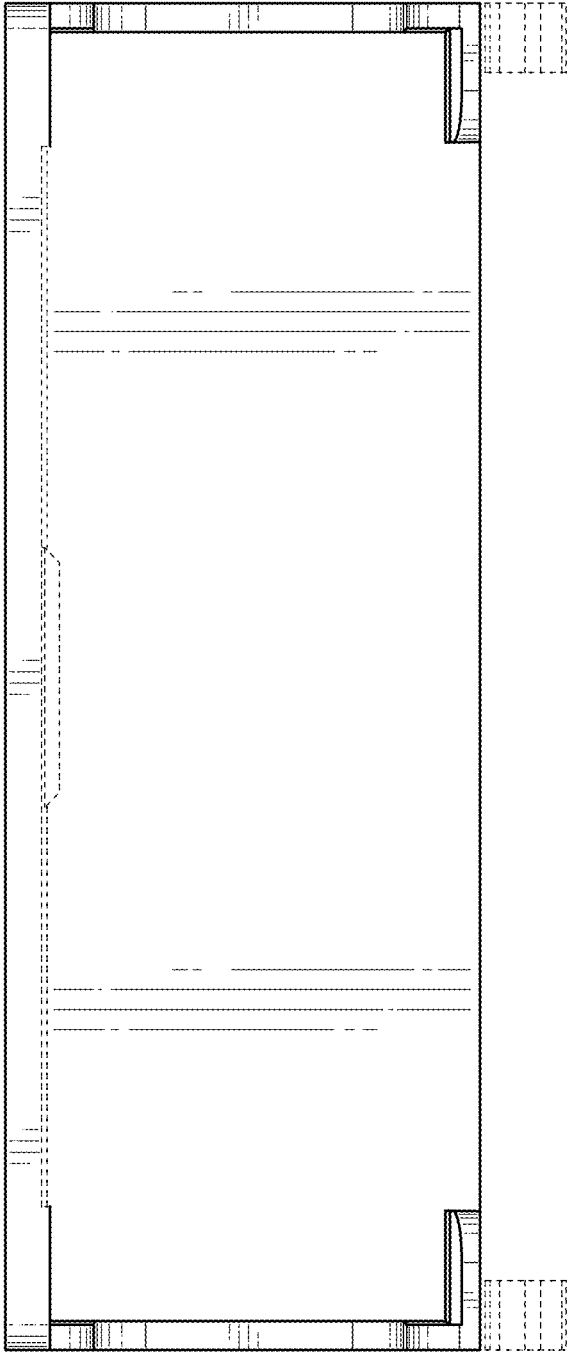


FIG. 7



FIG. 8