



US00D342492S

United States Patent [19]

[11] Patent Number: **Des. 342,492**

Wang

[45] Date of Patent: **** Dec. 21, 1993**

[54] **OPTICAL SCANNER**

[75] Inventor: **David Wang, Hsinchu, Taiwan**

[73] Assignee: **Umax Data System, Inc., Hsinchu, Taiwan**

[**] Term: **14 Years**

[21] Appl. No.: **894,799**

[22] Filed: **Jun. 3, 1992**

[52] U.S. Cl. **D14/116**

[58] Field of Search **D14/100, 114, 116;**
235/375, 378, 385, 454, 462, 472, 468;
354/80-82; 382/58-69, 12-13, 55, 59;
250/203.1, 216, 566, 568; D26/37, 45, 50;
358/473-475, 486

[56] **References Cited**

U.S. PATENT DOCUMENTS

D. 303,663 9/1989 Kumar et al. D14/116
D. 304,827 11/1989 Kubota D14/116

D. 306,855 3/1990 Kubota et al. D14/116
D. 307,749 5/1990 Kubota et al. D14/116
D. 319,228 8/1991 Mori et al. D14/116
5,063,508 11/1991 Yamada et al. 382/59 X
5,173,789 12/1992 Renner et al. D14/116 X
5,218,462 6/1993 Kitamura et al. 358/473

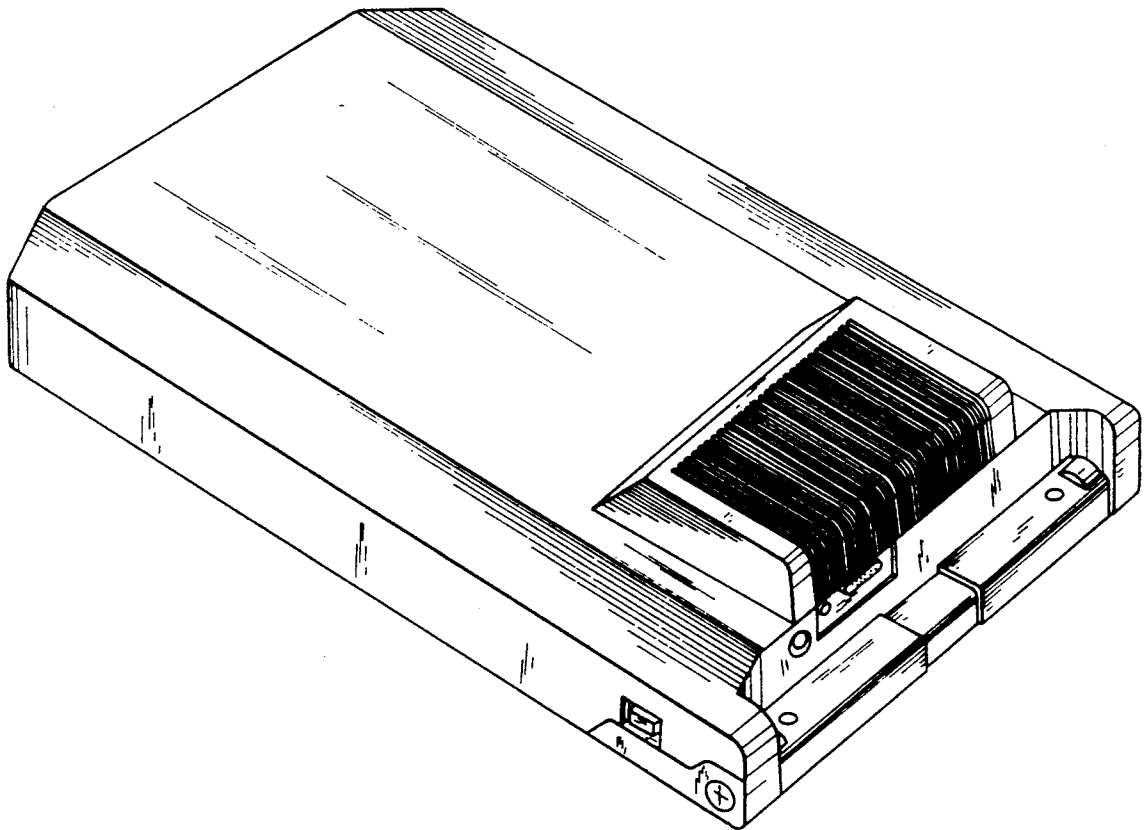
Primary Examiner—Wallace R. Burke
Assistant Examiner—M. H. Tung
Attorney, Agent, or Firm—Lowe, Price, LeBlanc & Becker

[57] **CLAIM**

The ornamental design for an optical scanner, as shown.

DESCRIPTION

FIG. 1 is a front view;
FIG. 2 is a rear view;
FIG. 3 is a top view;
FIG. 4 is a bottom view;
FIG. 5 is a righthand side view;
FIG. 6 is a lefthand side view; and,
FIG. 7 is a perspective view, on a reduced scale.



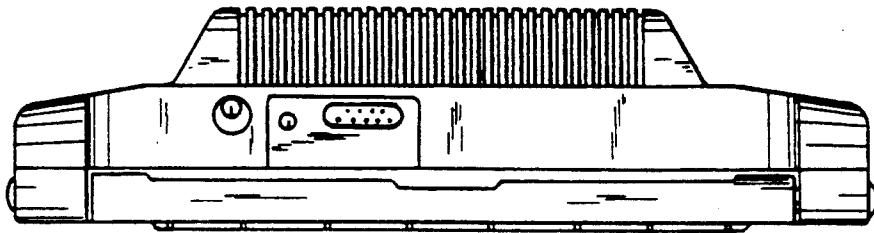


Fig. 2

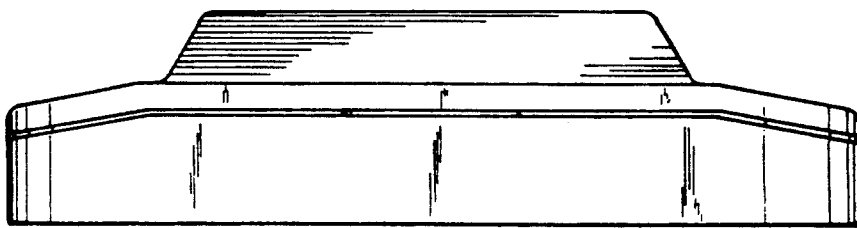


Fig. 1

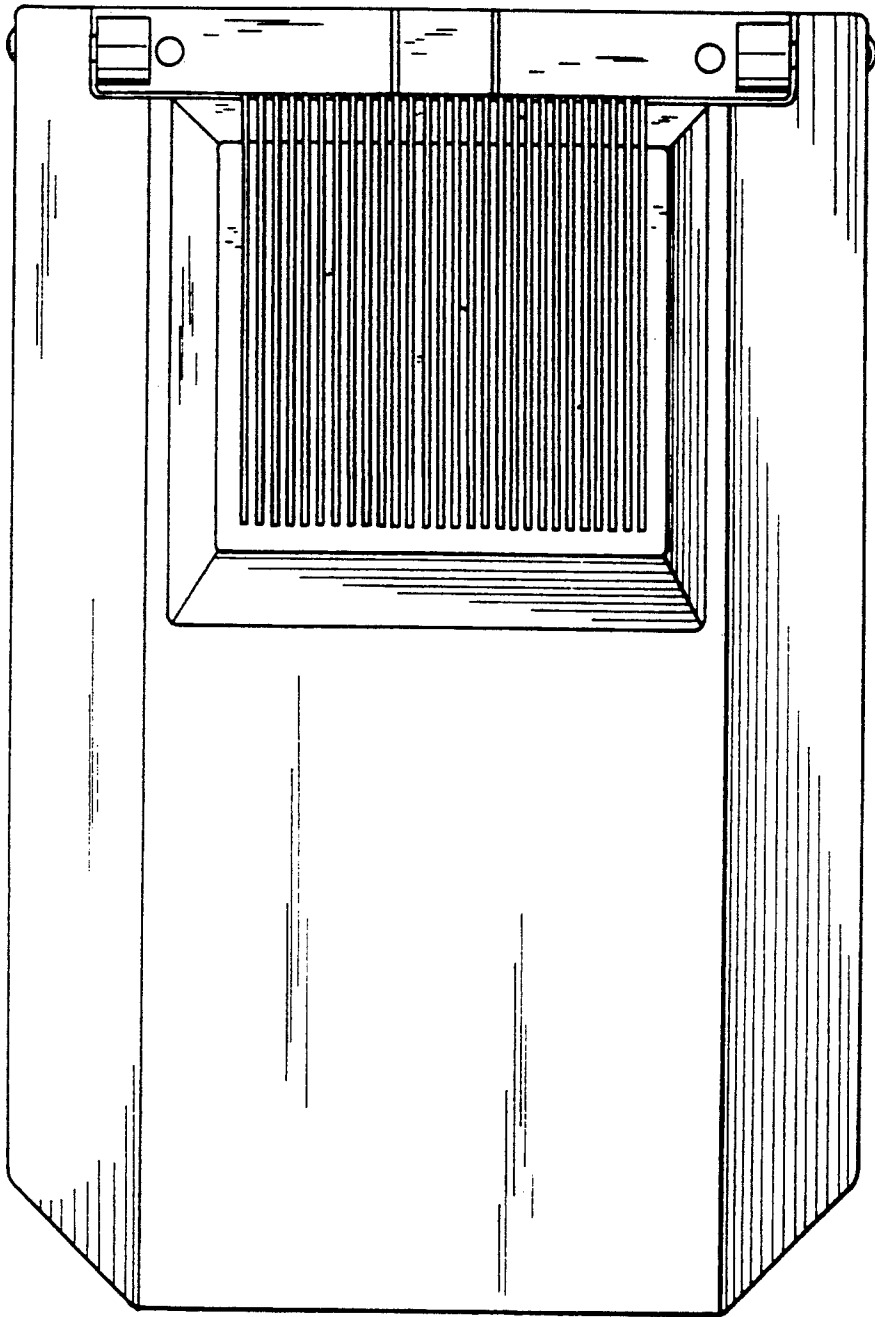


Fig. 3

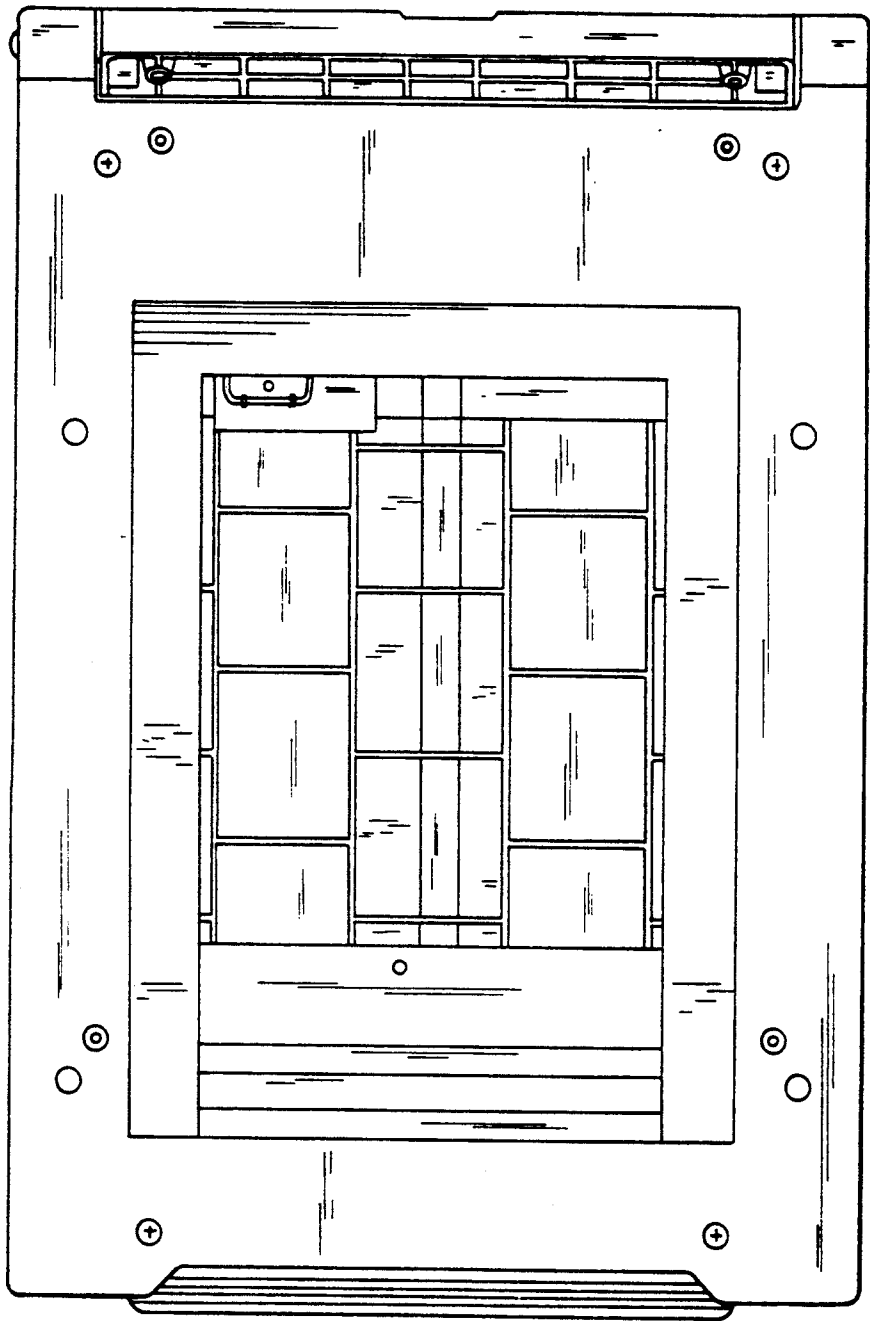


Fig. 4

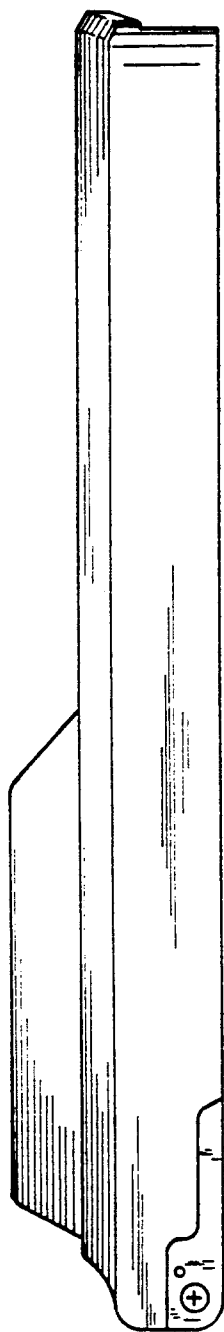


Fig. 6

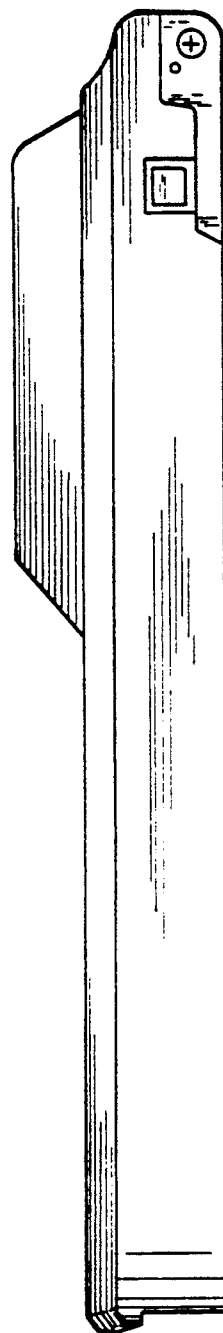


Fig. 5

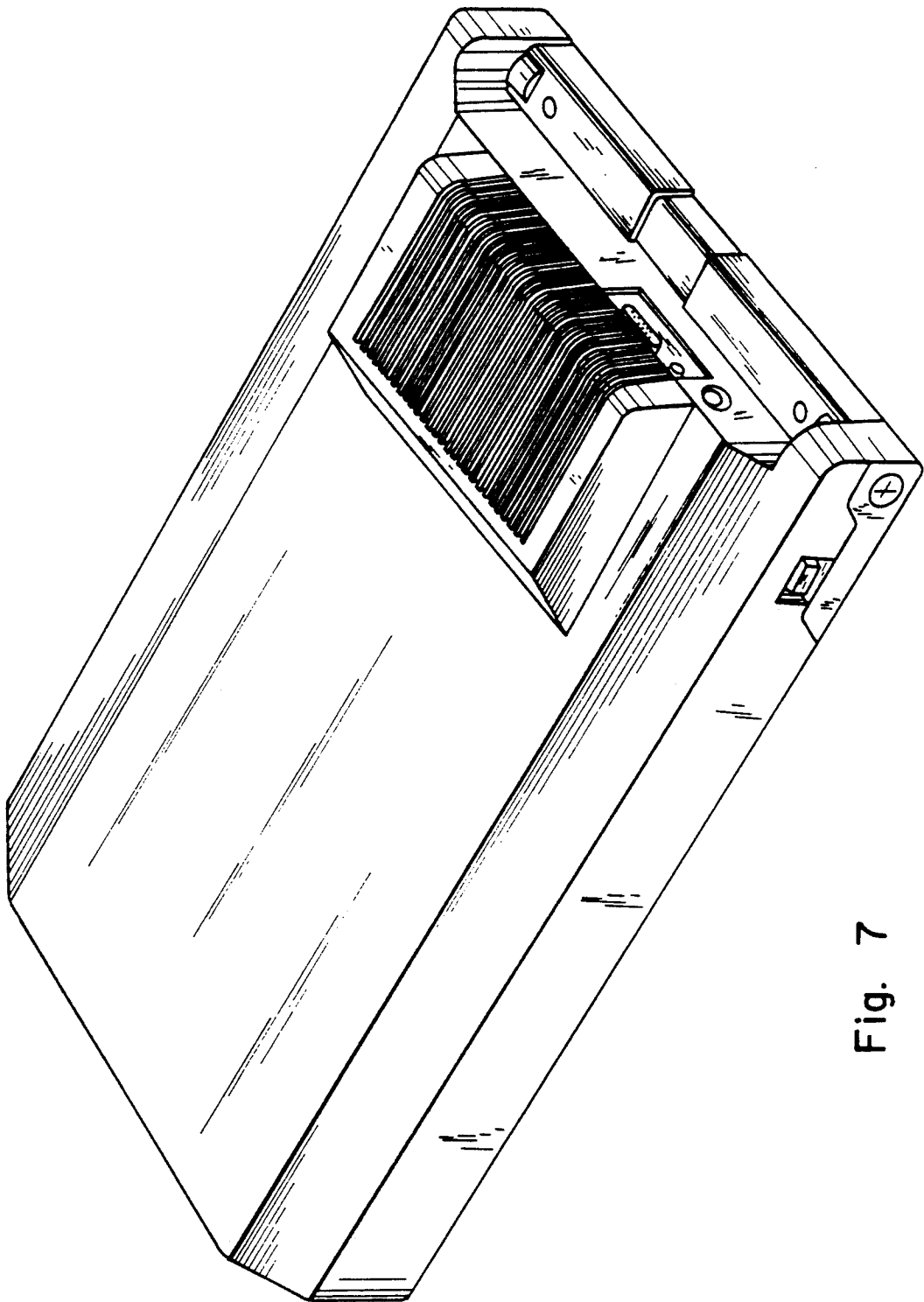


Fig. 7