

CORRECTED VERSION

(19) World Intellectual Property Organization International Bureau



(10) International Publication Number WO 2012/142013 A8

(43) International Publication Date 18 October 2012 (18.10.2012)

- (51) International Patent Classification: A61B 10/02 (2006.01)
(21) International Application Number: PCT/US2012/032853
(22) International Filing Date: 10 April 2012 (10.04.2012)
(25) Filing Language: English
(26) Publication Language: English
(30) Priority Data: 13/086,567 14 April 2011 (14.04.2011) US
(71) Applicant (for all designated States except US): DEVICOR MEDICAL PRODUCTS, INC. [US/US]; 300 E-Business Way, 5th Floor, Cincinnati, OH 45241 (US).
(72) Inventor; and
(75) Inventor/Applicant (for US only): FIEBIG, Kevin, M. [US/US]; 5747 Kroegermount Drive, Cincinnati, OH 45239 (US).
(74) Agents: ULMER, Andrew, B. et al.; Frost Brown Todd LLC, 3300 Great American Tower, 301 East Fourth Street, Cincinnati, OH 45202 (US).
(81) Designated States (unless otherwise indicated, for every kind of national protection available): AE, AG, AL, AM,

AO, AT, AU, AZ, BA, BB, BG, BH, BR, BW, BY, BZ, CA, CH, CL, CN, CO, CR, CU, CZ, DE, DK, DM, DO, DZ, EC, EE, EG, ES, FI, GB, GD, GE, GH, GM, GT, HN, HR, HU, ID, IL, IN, IS, JP, KE, KG, KM, KN, KP, KR, KZ, LA, LC, LK, LR, LS, LT, LU, LY, MA, MD, ME, MG, MK, MN, MW, MX, MY, MZ, NA, NG, NI, NO, NZ, OM, PE, PG, PH, PL, PT, QA, RO, RS, RU, RW, SC, SD, SE, SG, SK, SL, SM, ST, SV, SY, TH, TJ, TM, TN, TR, TT, TZ, UA, UG, US, UZ, VC, VN, ZA, ZM, ZW.
(84) Designated States (unless otherwise indicated, for every kind of regional protection available): ARIPO (BW, GH, GM, KE, LR, LS, MW, MZ, NA, RW, SD, SL, SZ, TZ, UG, ZM, ZW), Eurasian (AM, AZ, BY, KG, KZ, MD, RU, TJ, TM), European (AL, AT, BE, BG, CH, CY, CZ, DE, DK, EE, ES, FI, FR, GB, GR, HR, HU, IE, IS, IT, LT, LU, LV, MC, MK, MT, NL, NO, PL, PT, RO, RS, SE, SI, SK, SM, TR), OAPI (BF, BJ, CF, CG, CI, CM, GA, GN, GQ, GW, ML, MR, NE, SN, TD, TG).

- Published: with international search report (Art. 21(3))
(48) Date of publication of this corrected version: 31 October 2013
(15) Information about Correction: see Notice of 31 October 2013

(54) Title: BIOPSY DEVICE WITH MOTORIZED NEEDLE FIRING

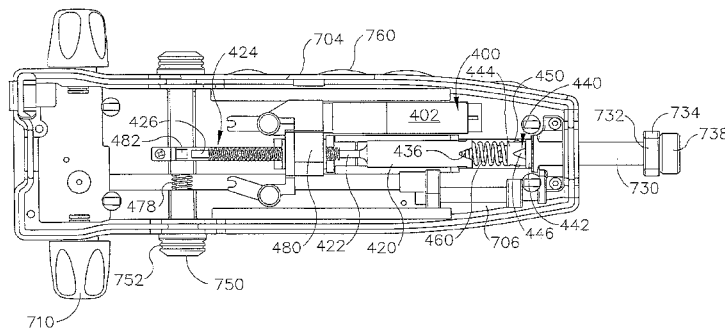


Fig.5

(57) Abstract: A biopsy device comprises a needle, a body portion, and a needle firing assembly. The needle firing assembly is operable to fire the needle distally relative to the body portion. The needle firing assembly includes two translating members, a resilient member, and a motor. The motor is operable to selectively move the first translating member distally and proximally. The second translating member is secured relative to the needle such that the needle and the second translating member translate unitarily. The resilient member compresses as the first translating member is moved distally toward the second translating member. The first translating member is then secured to the second translating and the translating members are moved proximally while holding the resilient member in the compressed state. The second translating member is released from the first translating member when they reach a proximal position, which allows the resilient member to fire the needle distally.



WO 2012/142013 A8