



US00D391981S

United States Patent [19]
Chang

[11] **Patent Number:** **Des. 391,981**
[45] **Date of Patent:** ****Mar. 10, 1998**

[54] **EYEGLASSES**

[76] **Inventor:** **T. S. Chang**, 1. Alley 99, Lane 274
Chung Cheng S. Road, Yung Kang,
Tainan, Taiwan

[**] **Term:** **14 Years**

[21] **Appl. No.:** **68,687**

[22] **Filed:** **Mar. 27, 1997**

[51] **LOC (6) Cl.** **16-06**

[52] **U.S. Cl.** **D16/310; D16/306**

[58] **Field of Search** **D16/300, 303,**
D16/304, 306, 310, 314, 317-330, 341,
900; 351/41, 44, 51, 52, 59, 63, 103, 106,
110-111, 118, 119, 122, 158; 2/10, 12,
13; D2/866, 868, 872, 879, 882

[56] **References Cited**

U.S. PATENT DOCUMENTS

1,212	6/1839	Smith	D16/303
D. 178,984	10/1956	Black	D16/310
D. 201,921	8/1965	Harley	D16/321
D. 354,067	1/1995	Luzlbauer	D16/321
D. 364,888	12/1995	Wang	D16/310

444,505	1/1891	Price	351/118
614,673	11/1898	Taylor	D16/317
3,620,608	11/1971	Davis	351/111
3,752,567	8/1973	Broadhurst	351/63
3,840,294	10/1974	Kneier	351/59
5,307,094	4/1994	Gonzalez	351/59
5,384,604	1/1995	Chang	351/63

Primary Examiner—Raphael Barkai
Attorney, Agent, or Firm—Pro-Techtor International

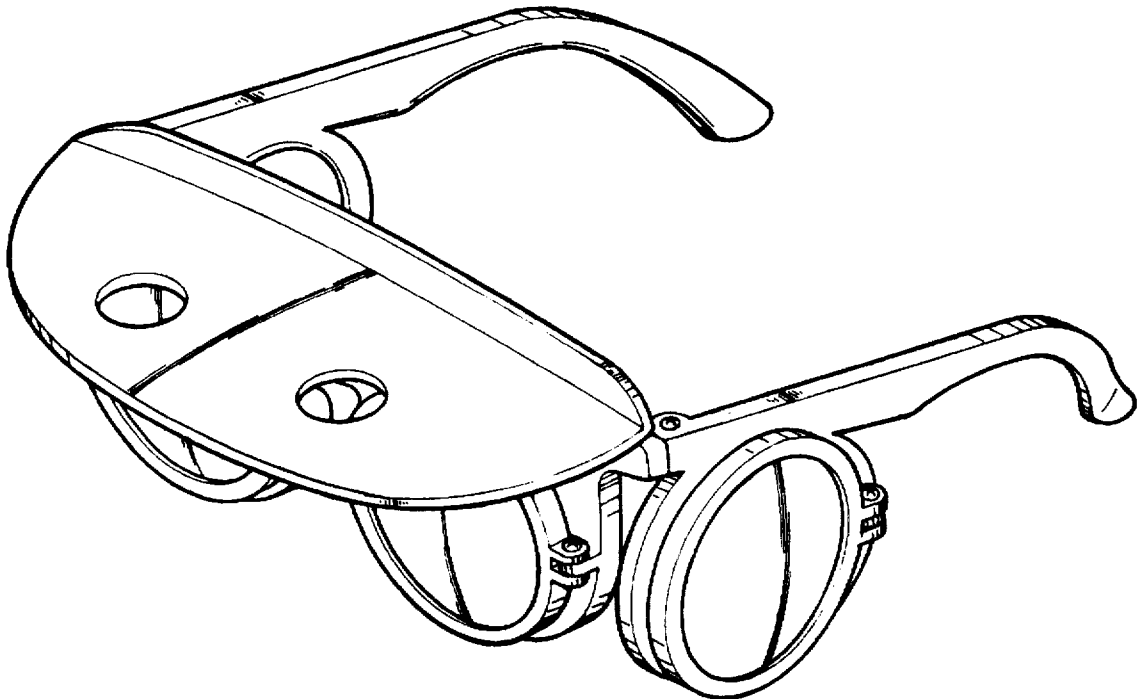
[57] **CLAIM**

The ornamental design for an eyeglasses, as shown and described.

DESCRIPTION

FIG. 1 is a perspective view of an eyeglasses showing my new design;
FIG. 2 is a front elevational view of the design;
FIG. 3 is a rear elevational view of the design;
FIG. 4 is a top plan view of the design;
FIG. 5 is a bottom plan view of the design;
FIG. 6 is a left side elevational view of the design, the side opposite being a mirror image; and,
FIG. 7 is a perspective view thereof, with the front lenses in the opened position.

1 Claim, 6 Drawing Sheets



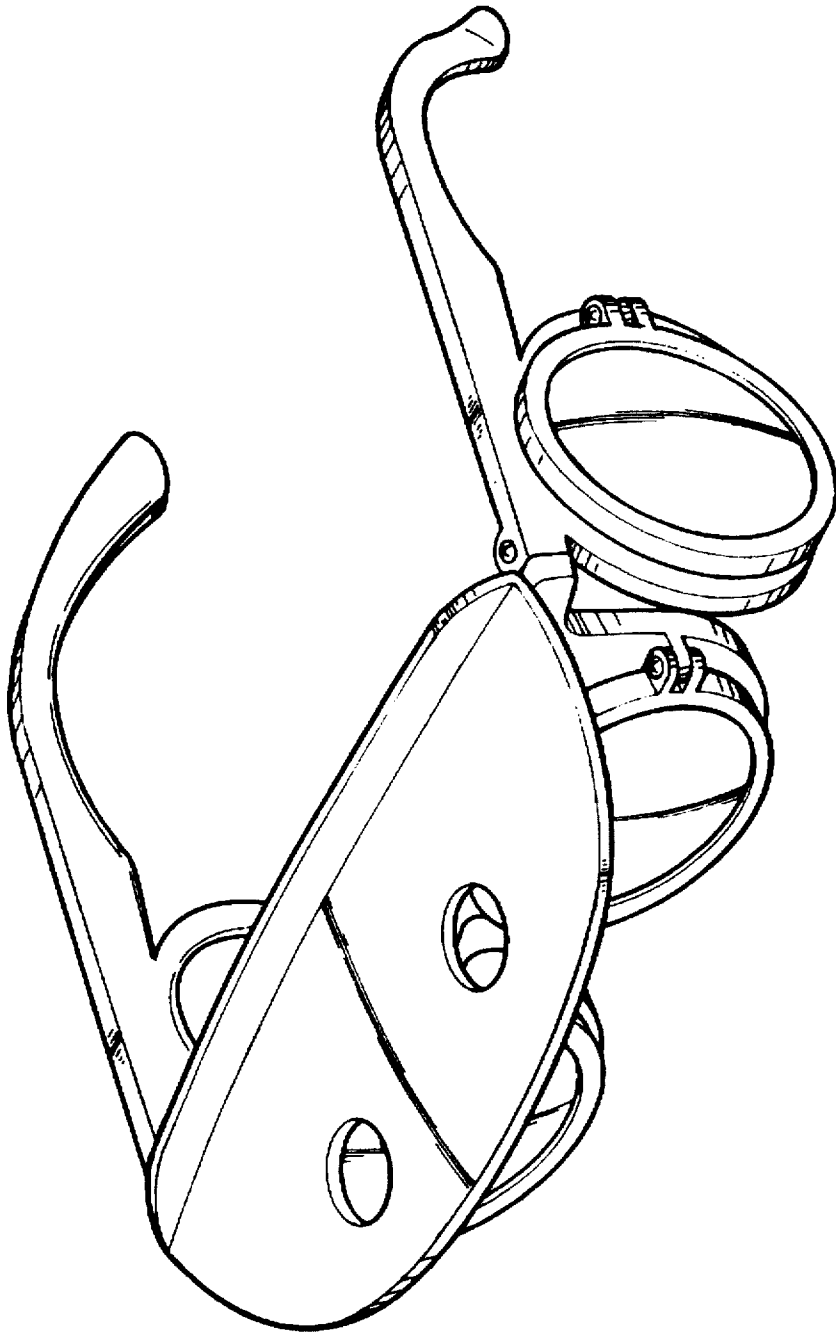


FIG. 1

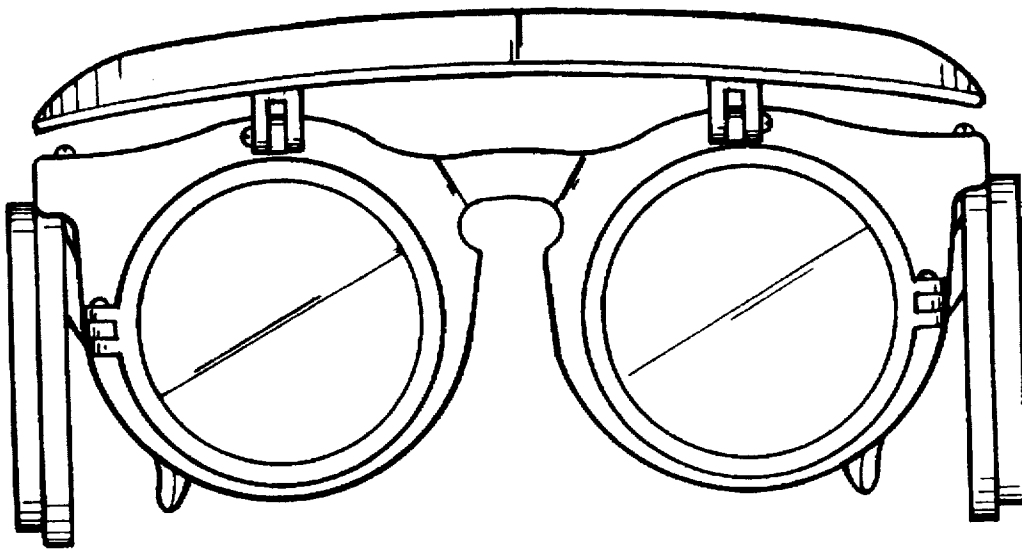


FIG. 2

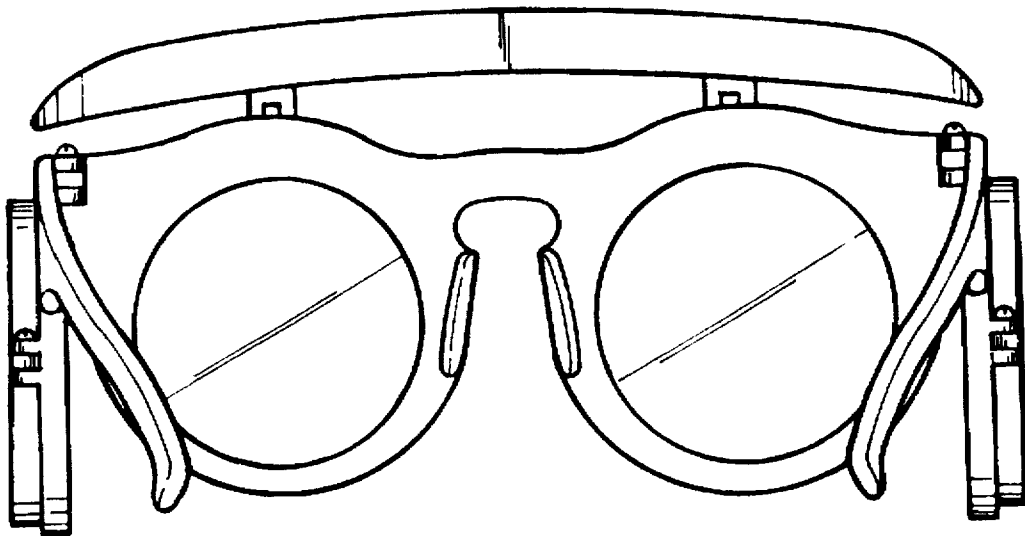


FIG. 3

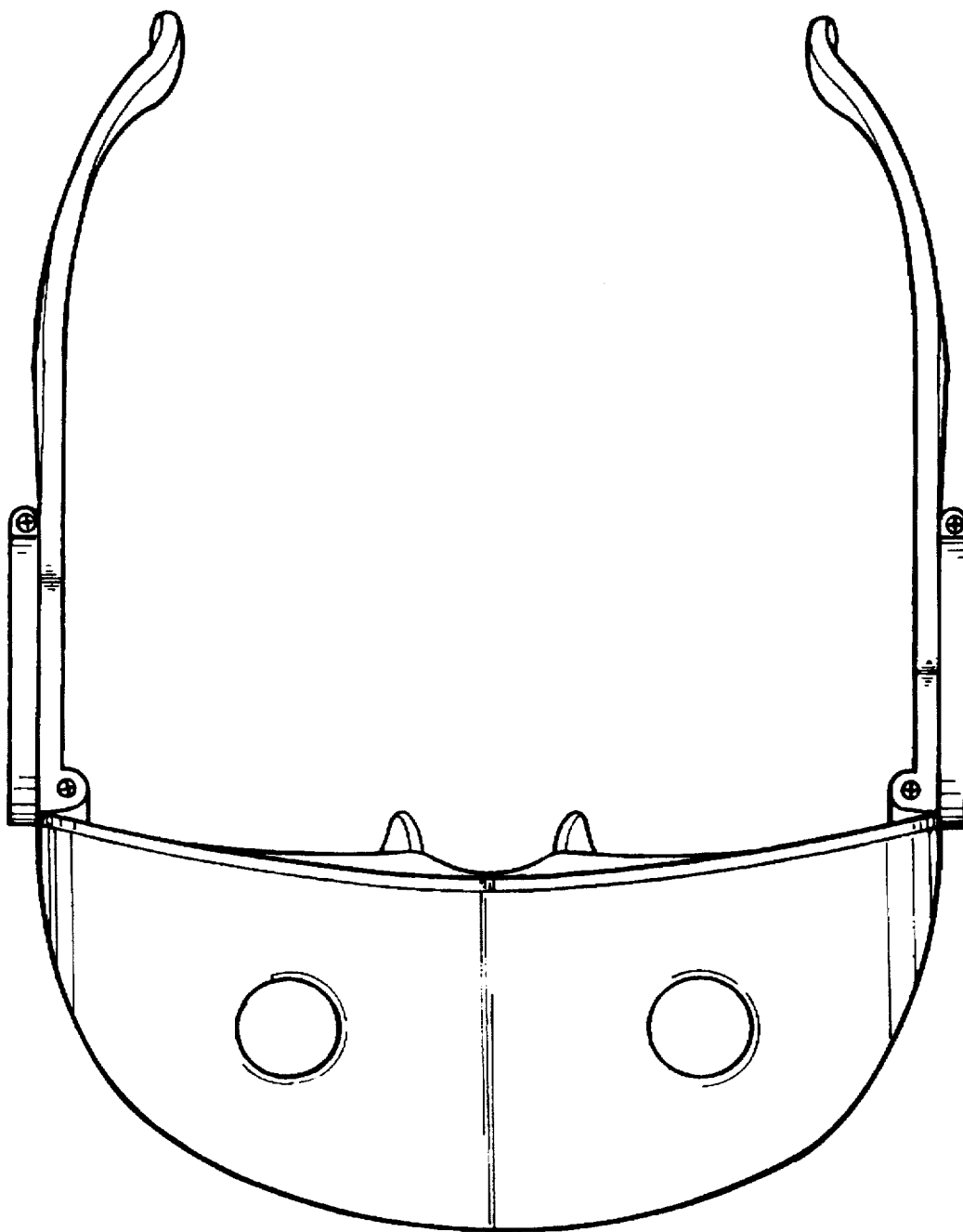


FIG. 4

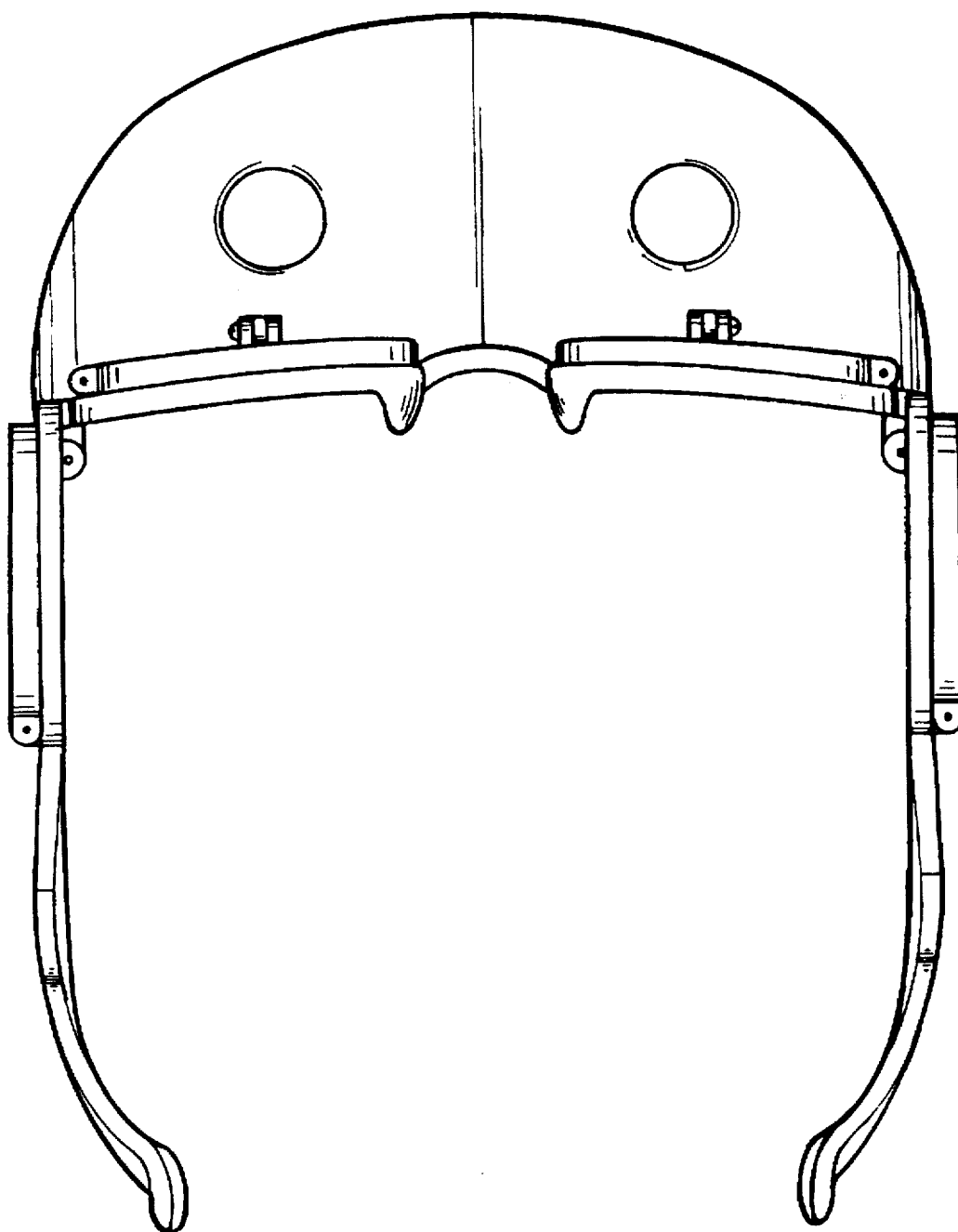


FIG. 5

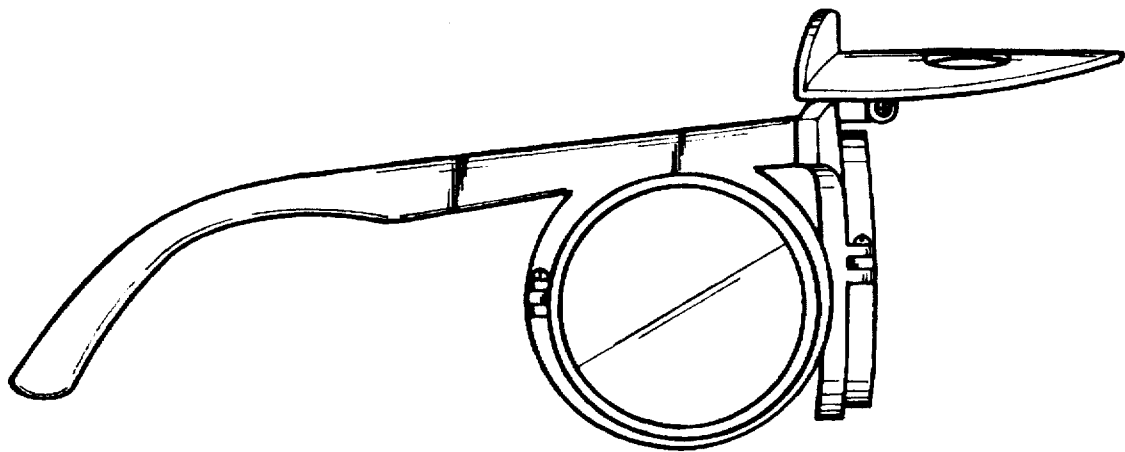


FIG. 6

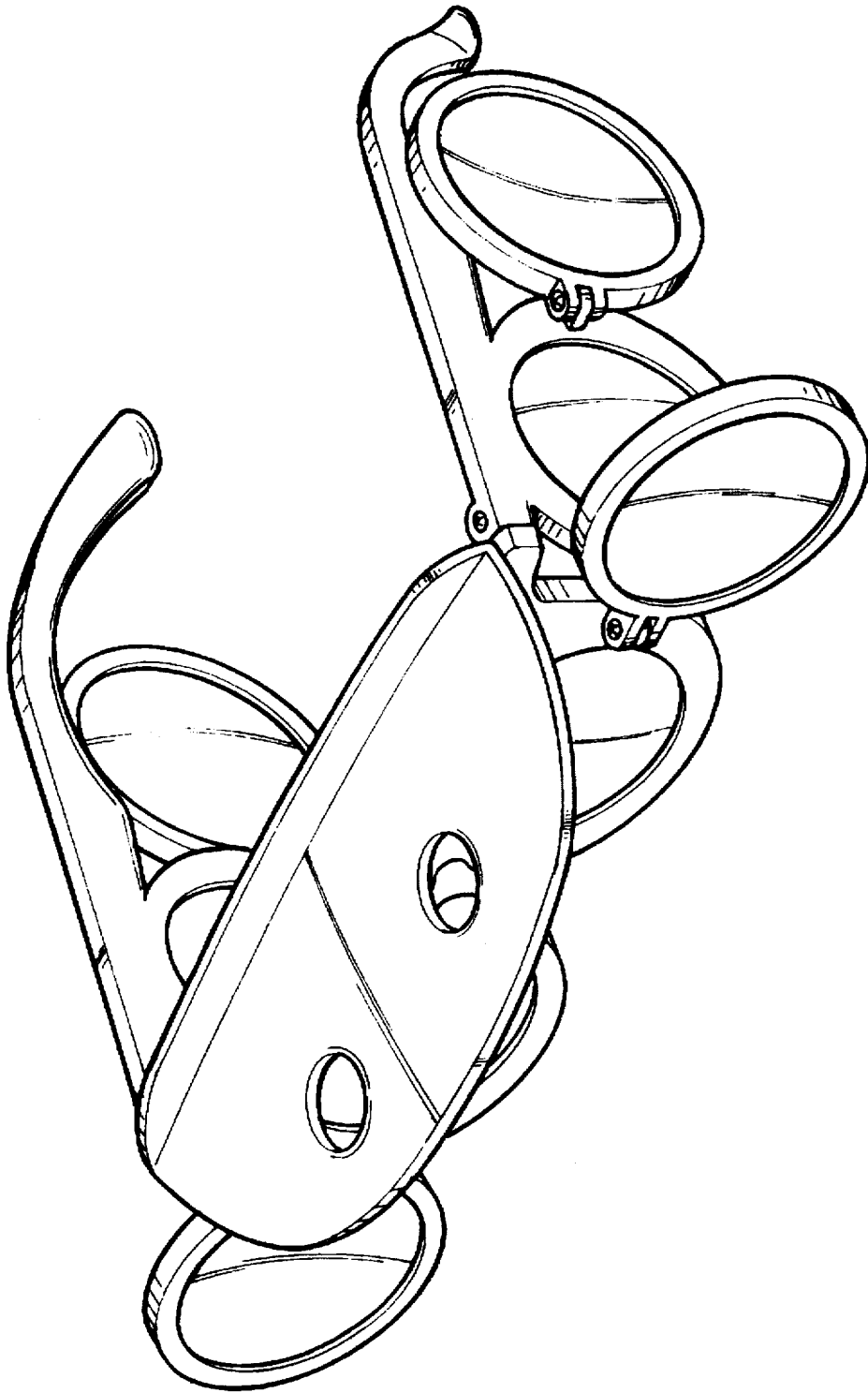


FIG. 7