



US00D623137S

(12) **United States Design Patent**  
**Suetake et al.**

(10) **Patent No.:** **US D623,137 S**

(45) **Date of Patent:** **\*\* Sep. 7, 2010**

(54) **CONTROLLER EXPANDER**

D568,821 S 5/2008 Ashida et al.  
D568,823 S 5/2008 Ashida et al.

(75) Inventors: **Fumiyoshi Suetake**, Kyoto (JP);  
**Noboru Wakitani**, Kyoto (JP); **Masato Ibuki**, Kyoto (JP); **Junji Takamoto**, Kyoto (JP)

**OTHER PUBLICATIONS**

U.S. Appl. No. 11/905,903, filed Oct. 5, 2007.

\* cited by examiner

*Primary Examiner*—Nanda Bondade  
(74) *Attorney, Agent, or Firm*—Nixon & Vanderhye, P.C.

(73) Assignee: **Nintendo Co., Ltd.**, Kyoto (JP)

(\*\*) Term: **14 Years**

(57) **CLAIM**

(21) Appl. No.: **29/330,359**

The ornamental design for a controller expander, as shown and described.

(22) Filed: **Jan. 6, 2009**

(30) **Foreign Application Priority Data**

**DESCRIPTION**

Jul. 11, 2008 (JP) ..... 2008-017969  
Jul. 11, 2008 (JP) ..... 2008-017992  
Oct. 1, 2008 (JP) ..... 2008-025255

FIG. 1 is a front, top and left perspective view of a controller expander of our new design;

FIG. 2 is a rear, bottom and right perspective view thereof;

FIG. 3 is a front view thereof;

(51) **LOC (9) Cl.** ..... **13-03**

(52) **U.S. Cl.** ..... **D13/147**; D13/133

FIG. 4 is a rear view thereof;

(58) **Field of Classification Search** ..... D13/133,  
D13/146–147, 154, 184; 439/278, 282, 290–293,  
439/328, 352, 483, 592–593, 607.08, 660,  
439/680

FIG. 5 is a top plan view thereof;

FIG. 6 is a bottom plan thereof;

See application file for complete search history.

FIG. 7 is a left side view thereof;

FIG. 8 is a right side view thereof;

(56) **References Cited**

**U.S. PATENT DOCUMENTS**

5,876,248 A \* 3/1999 Brunker et al. .... 439/607.08  
D481,683 S \* 11/2003 Lai ..... D13/147  
D558,677 S 1/2008 Ashida et al.  
D558,682 S 1/2008 Ashida et al.  
D559,178 S 1/2008 Ashida et al.

FIG. 9 is a front view thereof, attached to a controller; and,

FIG. 10 is a right side view thereof, attached to a controller.

The broken line showing on the drawing disclosure is for illustrative purposes only and forms no part of the claimed design.

**1 Claim, 5 Drawing Sheets**

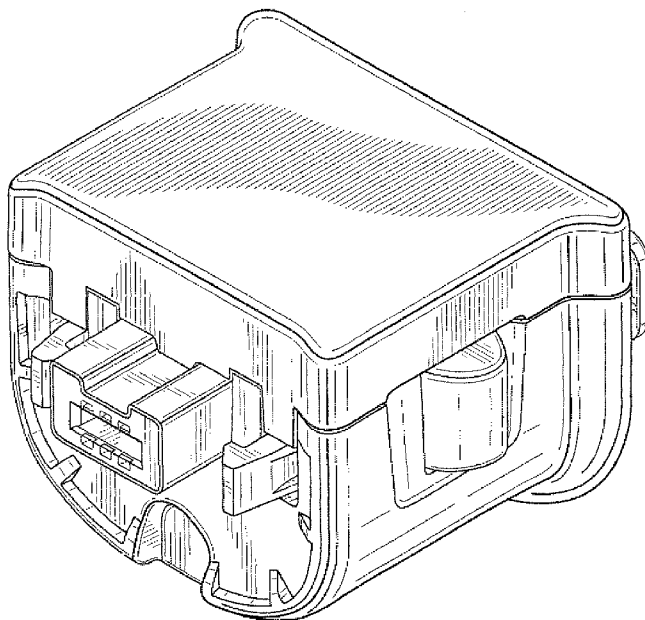


FIG. 1

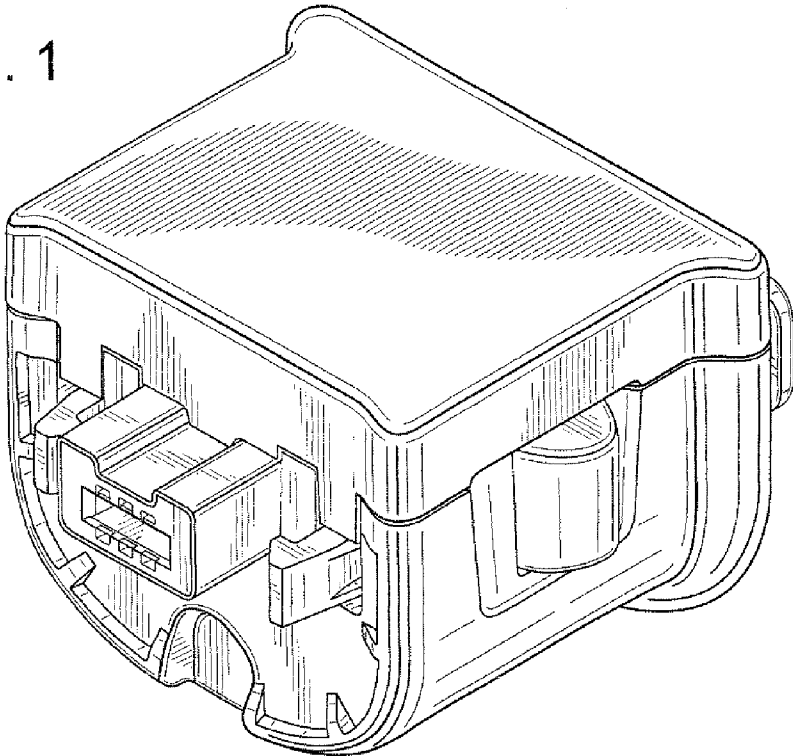


FIG. 2

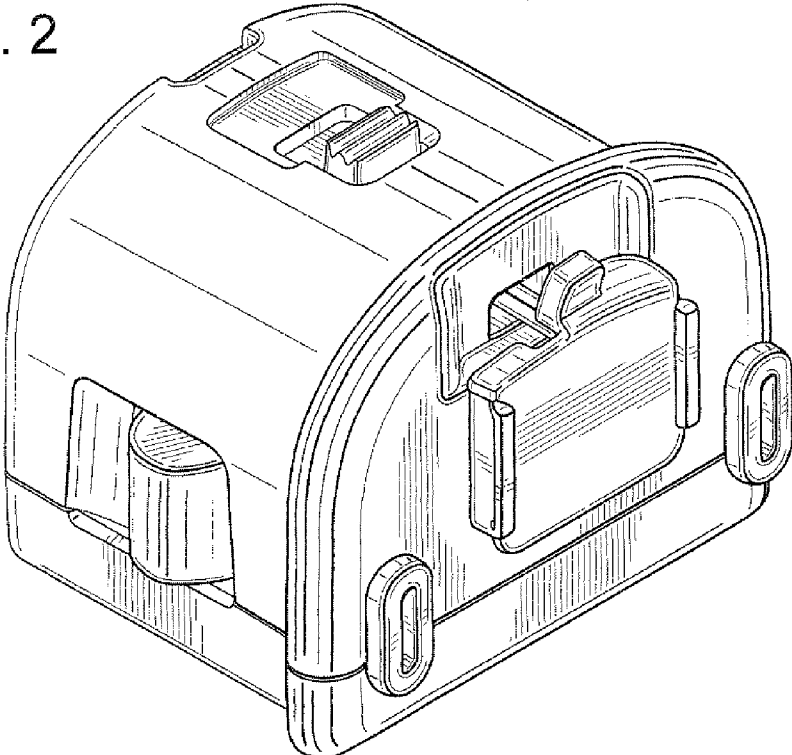


FIG. 3

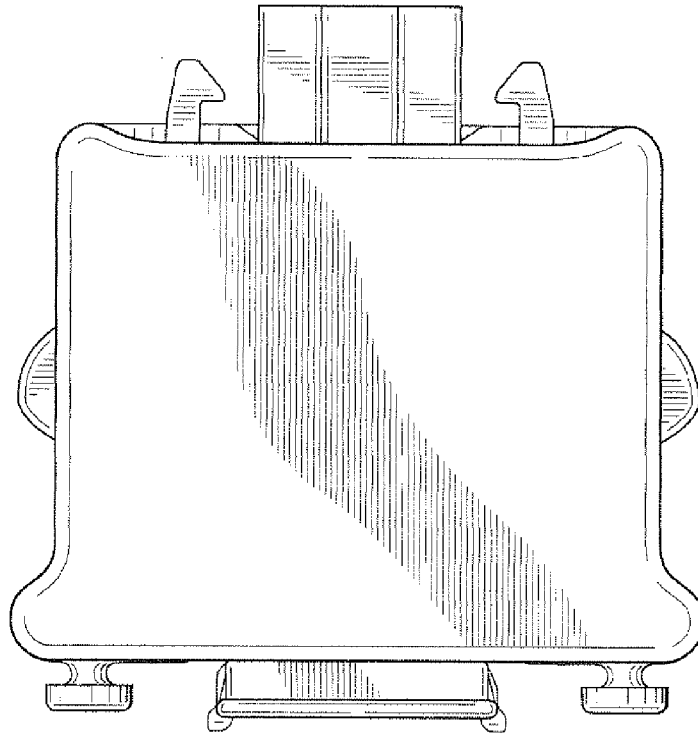


FIG. 4

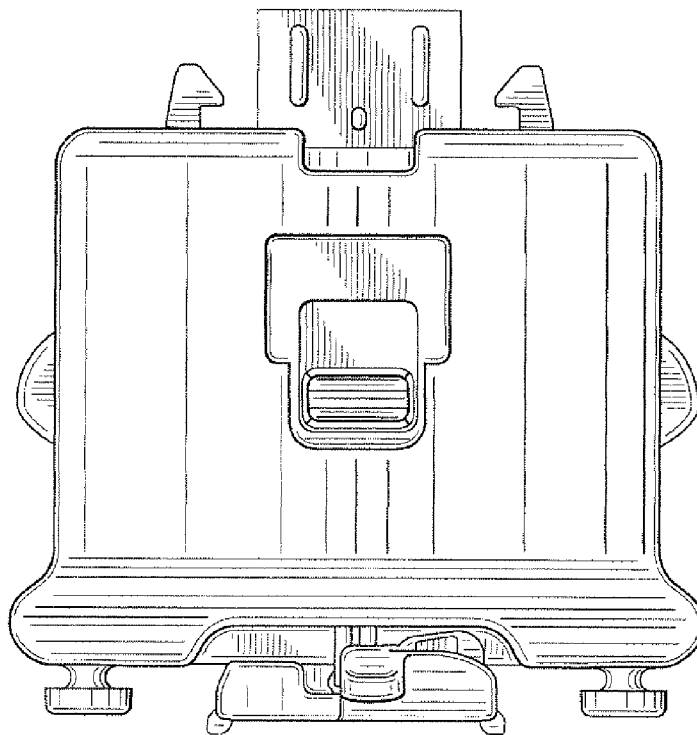


FIG. 5

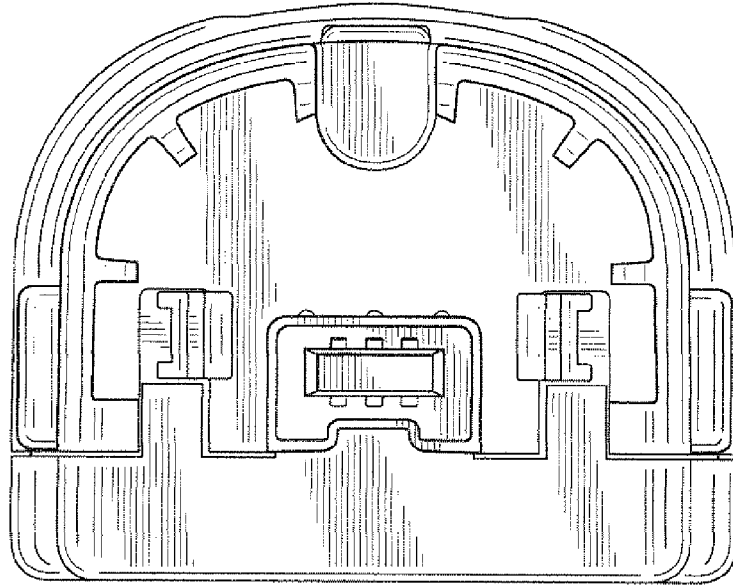


FIG. 6

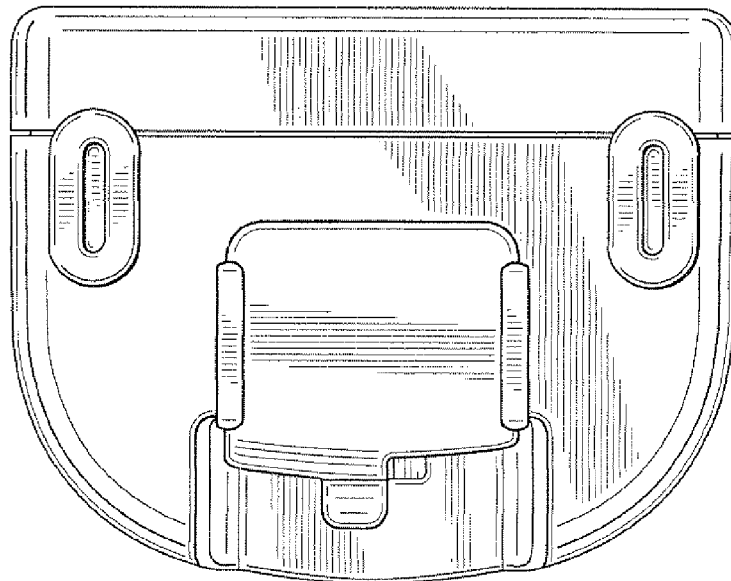


FIG. 7

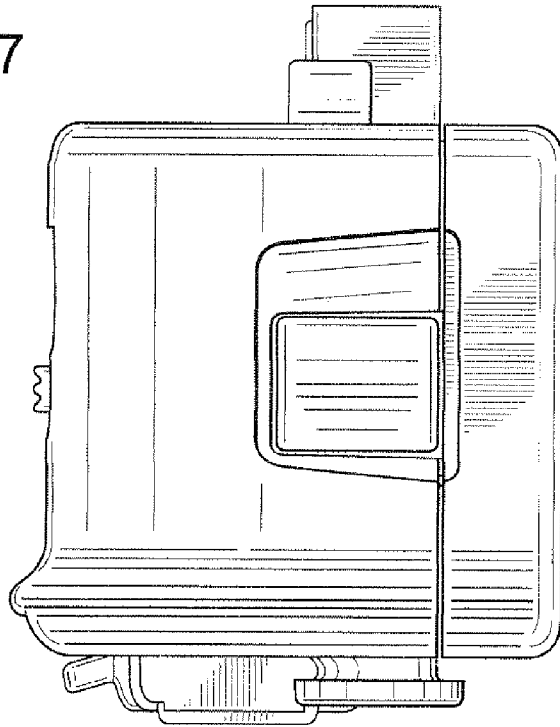
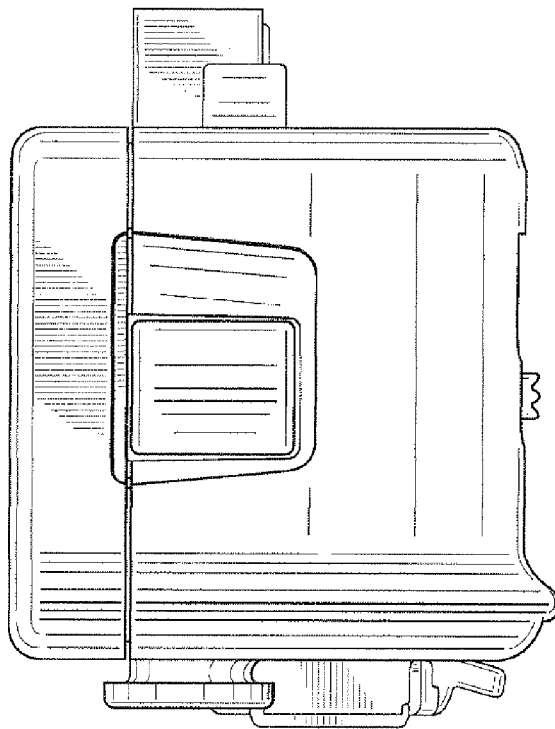


FIG. 8



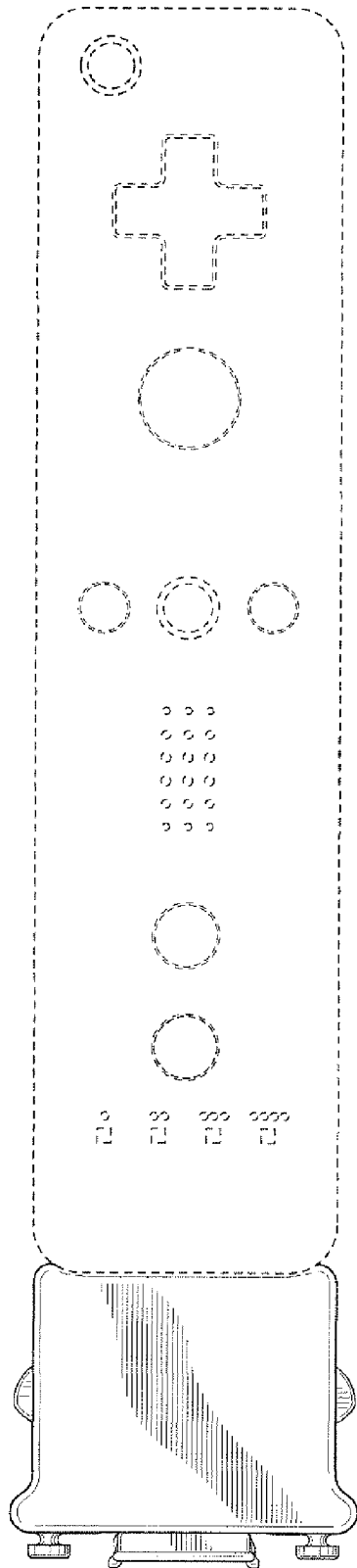


FIG. 9

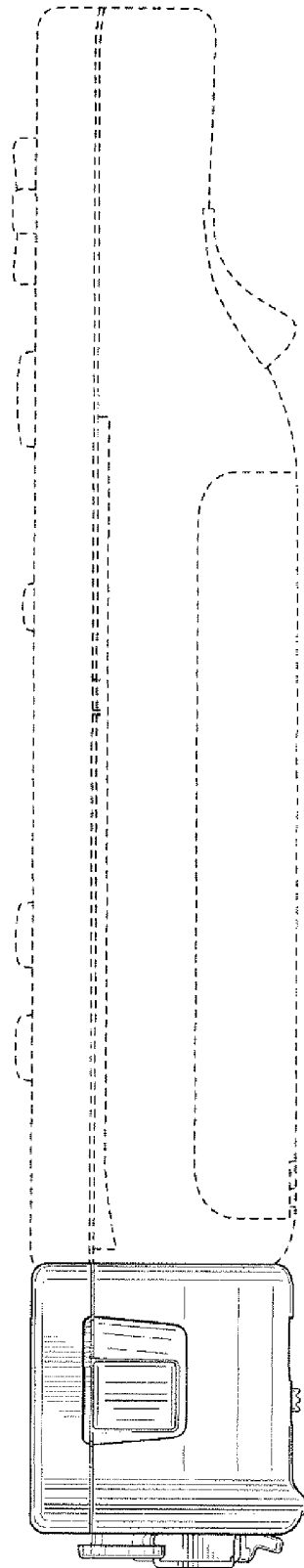


FIG. 10