



US00D713655S

(12) **United States Design Patent**
Blatt et al.

(10) **Patent No.:** **US D713,655 S**

(45) **Date of Patent:** **** Sep. 23, 2014**

(54) **MATTRESS COVER**

(71) Applicant: **Zzz Sock, LLC**, Mount Prospect, IL (US)

(72) Inventors: **Kyle Parker Blatt**, Mount Prospect, IL (US); **Jeffrey Ronald Blethen**, Mount Prospect, IL (US)

(73) Assignee: **Zzz Sock, LLC**, Mount Prospect, IL (US)

(**) Term: **14 Years**

(21) Appl. No.: **29/456,554**

(22) Filed: **May 31, 2013**

(51) **LOC (10) CL.** **06-09**

(52) **U.S. CL.**
USPC **D6/596**; D6/602

(58) **Field of Classification Search**
USPC D6/595, 596, 602, 603, 605; 5/482, 5/494-497, 499, 501
See application file for complete search history.

(56) **References Cited**

U.S. PATENT DOCUMENTS

65,262 A	5/1867	Ouroussaff
2,324,665 A	7/1943	Ayres
2,368,220 A	1/1945	Hinds
2,972,757 A	2/1961	Adrian
3,120,721 A	2/1964	Bukatman et al.
4,236,263 A	12/1980	Allee
4,292,700 A	10/1981	Markel
4,413,368 A	11/1983	Schuetze
4,459,714 A	7/1984	Lin
4,513,461 A	4/1985	Tardivel
4,601,076 A	7/1986	Knobeloch
4,709,307 A	11/1987	Branom
4,758,868 A	7/1988	Frijlink
4,759,090 A	7/1988	Schetti
4,774,734 A	10/1988	Mills
4,839,777 A	6/1989	Janko et al.
4,841,587 A	6/1989	Carter et al.
4,875,245 A	10/1989	Isola
4,878,258 A	11/1989	Casey

4,972,533 A	11/1990	Brown	
5,066,001 A	11/1991	Wilkinson	
5,465,440 A *	11/1995	Heptner	5/497
5,740,566 A	4/1998	Stacy	
7,051,387 B1	5/2006	Yoder et al.	
D593,788 S *	6/2009	Thompson	D6/602
7,845,031 B2	12/2010	Tatsuno	
8,214,949 B2 *	7/2012	Thompson	5/494
8,640,282 B2 *	2/2014	Maguire et al.	5/497
2006/0248646 A1 *	11/2006	Marsh	5/494
2008/0216238 A1	9/2008	Tatsuno	
2010/0251482 A1	10/2010	MacDonald	
2012/0204348 A1	8/2012	Bayer	

OTHER PUBLICATIONS

Therm-a-Rest Ventra Down Comforter Sleeping Pad Accessory; available at www.backcountryedge.com; printed prior to May 31, 2013. (1 page).

Disney Princesses EZ Bed; available at <http://www.walmart.com/ip/Disney-Princesses-EZ-Bed/8812037>; printed prior to May 31, 2013. (1 page).

Disney Cars EZ Bed; available at <http://www.walmart.com/ip/Disney-Cars-EZ-Bed/8812034>; printed prior to May 31, 2013. (1 page).

Sleeping Bag Sofa; available at <http://www.dudeiwantthat.com/household/furniture/sleeping-bag-sofa.asp>; printed prior to May 31, 2013. (1 page).

* cited by examiner

Primary Examiner — Janice Seeger

(74) *Attorney, Agent, or Firm* — Neal, Gerber & Eisenberg LLP

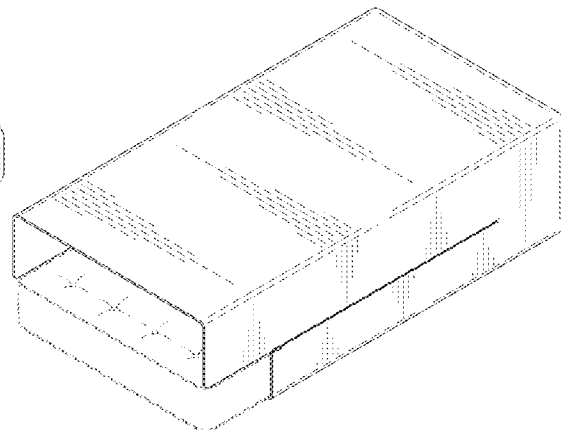
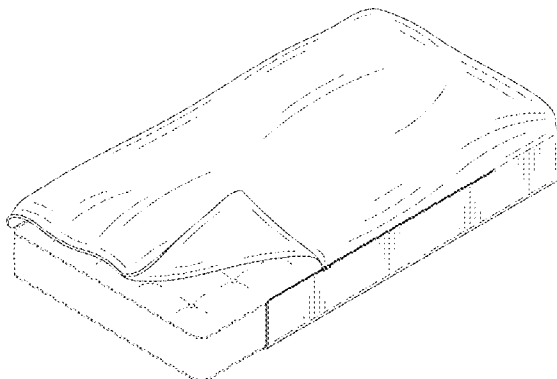
(57) **CLAIM**

The ornamental design for a bedding cover, as shown and described herein.

DESCRIPTION

FIG. 1 is a front top perspective view of one embodiment of a bedding cover of our new design in a resting state, that portion of the bedding cover shown in phantom is not part of the design sought to be patented and is provided for environmental purposes only.

FIG. 2 is a front top perspective view of the bedding cover of our new design illustrated in FIG. 1 in an expanded state, that



portion of the bedding cover shown in phantom is not part of the design sought to be patented and is provided for environmental purposes only.

FIG. 3 is a rear top perspective view of the bedding cover of our new design illustrated in FIG. 2.

FIG. 4 is a front bottom perspective view of the bedding cover of our new design illustrated in FIG. 2.

FIG. 5 is a rear bottom perspective view of the bedding cover of our new design illustrated in FIG. 2.

FIG. 6 is a front elevational view of the bedding cover of our new design illustrated in FIG. 2, that portion of the bedding cover shown in phantom is not part of the design sought to be patented and is provided for environmental purposes only.

FIG. 7 is a rear elevational view of the bedding cover of our new design illustrated in FIG. 2.

FIG. 8 is a left side elevational view of the bedding cover of our new design illustrated in FIG. 2, that portion of the bedding cover shown in phantom is not part of the design sought to be patented and is provided for environmental purposes only.

FIG. 9 is a right side elevational view of the bedding cover of our new design illustrated in FIG. 2, that portion of the bedding cover shown in phantom is not part of the design sought to be patented and is provided for environmental purposes only.

FIG. 10 is a top plan view of the bedding cover of our new design illustrated in FIG. 2.

FIG. 11 is a bottom plan view of the bedding cover of our new design illustrated in FIG. 2, that portion of the bedding cover shown in phantom is not part of the design sought to be patented and is provided for environmental purposes only.

FIG. 12 is a front top perspective view of another embodiment of a bedding cover of our new design in a resting state, that portion of the bedding cover shown in phantom is not part of the design sought to be patented and is provided for environmental purposes only.

FIG. 13 is a front top perspective view of the bedding cover of our new design illustrated in FIG. 12 in an expanded state, that portion of the bedding cover shown in phantom is not part of the design sought to be patented and is provided for environmental purposes only.

FIG. 14 is a rear top perspective view of the bedding cover of our new design illustrated in FIG. 13, that portion of the bedding cover shown in phantom is not part of the design sought to be patented and is provided for environmental purposes only.

FIG. 15 is a front bottom perspective view of the bedding cover of our new design illustrated in FIG. 13, that portion of the bedding cover shown in phantom is not part of the design sought to be patented and is provided for environmental purposes only.

FIG. 16 is a rear bottom perspective view of the bedding cover of our new design illustrated in FIG. 13, that portion of the bedding cover shown in phantom is not part of the design sought to be patented and is provided for environmental purposes only.

FIG. 17 is a front elevational view of the bedding cover of our new design illustrated in FIG. 13, that portion of the bedding cover shown in phantom is not part of the design sought to be patented and is provided for environmental purposes only.

FIG. 18 is a rear devotional view of the bedding cover of our new design illustrated in FIG. 13.

FIG. 19 is a left side elevational view of the bedding cover of our new design illustrated in FIG. 13, that portion of the bedding cover shown in phantom is not part of the design sought to be patented and is provided for environmental purposes only.

FIG. 20 is a right side elevational view of the bedding cover of our new design illustrated in FIG. 13, that portion of the bedding cover shown in phantom is not part of the design sought to be patented and is provided for environmental purposes only.

FIG. 21 is a top plan view of the bedding cover of our new design illustrated in FIG. 13; and,

FIG. 22 is a bottom plan view of the bedding cover of our new design illustrated in FIG. 13, that portion of the bedding cover shown in phantom is not part of the design sought to be patented and is provided for environmental purposes only.

1 Claim, 18 Drawing Sheets

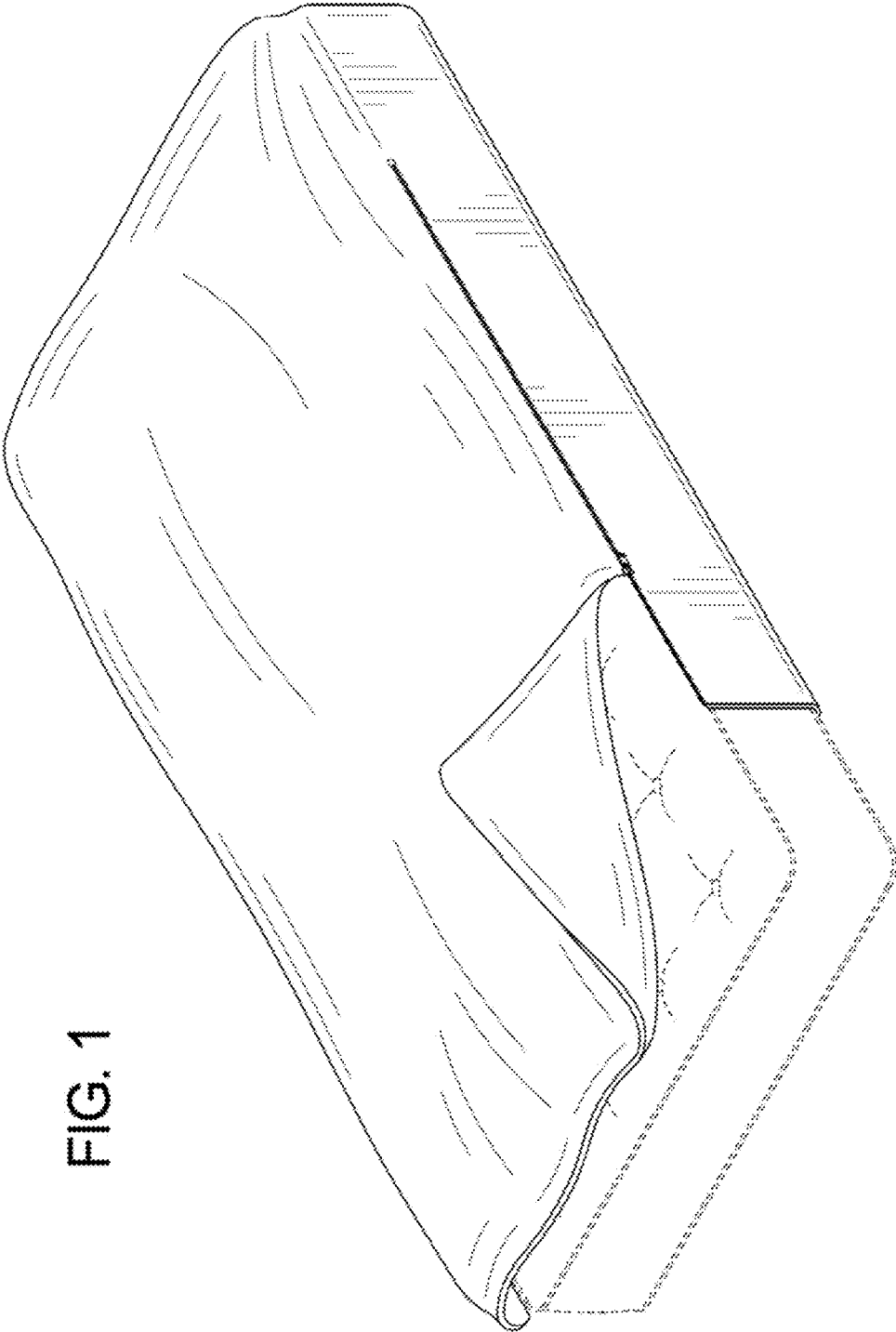


FIG. 1

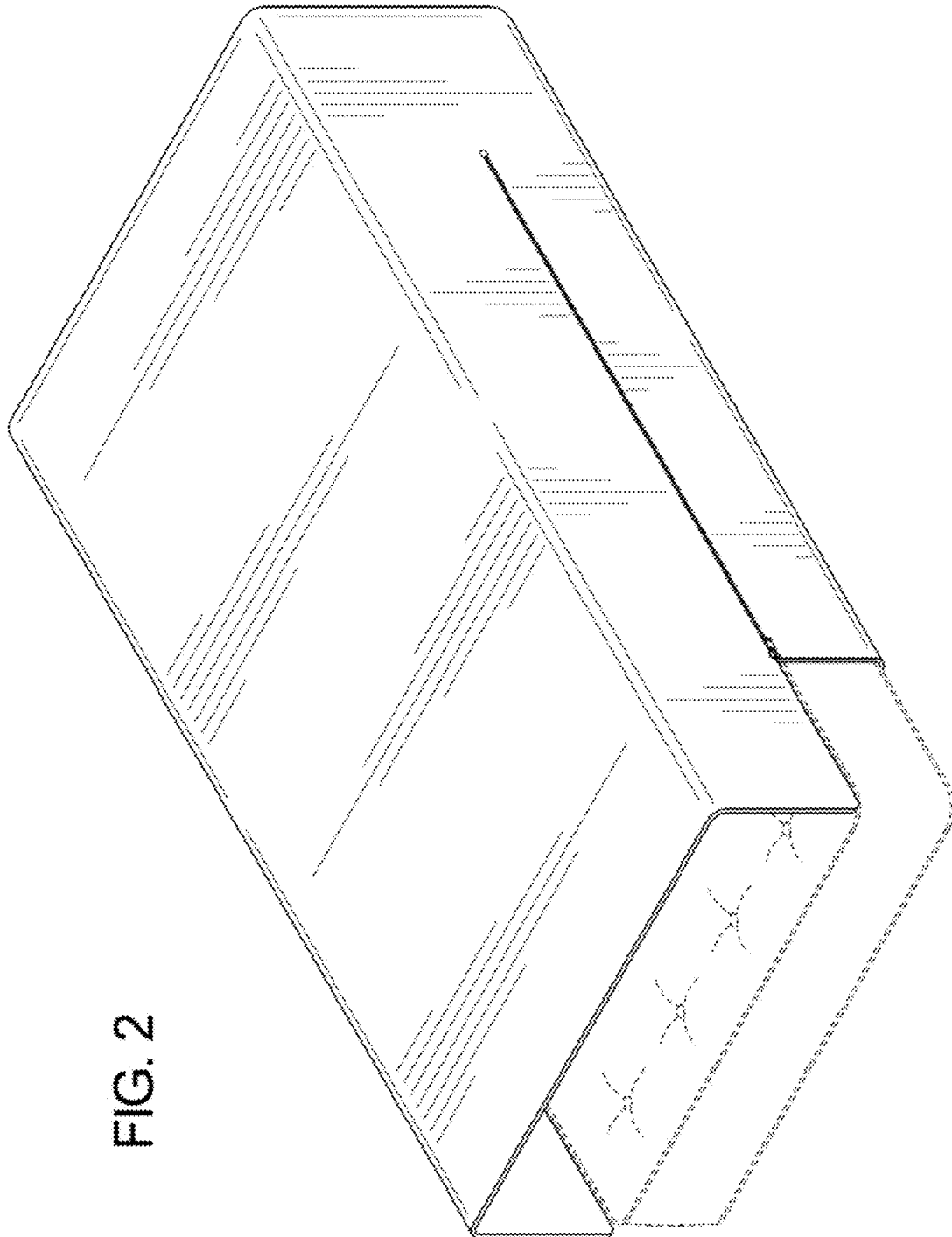


FIG. 2

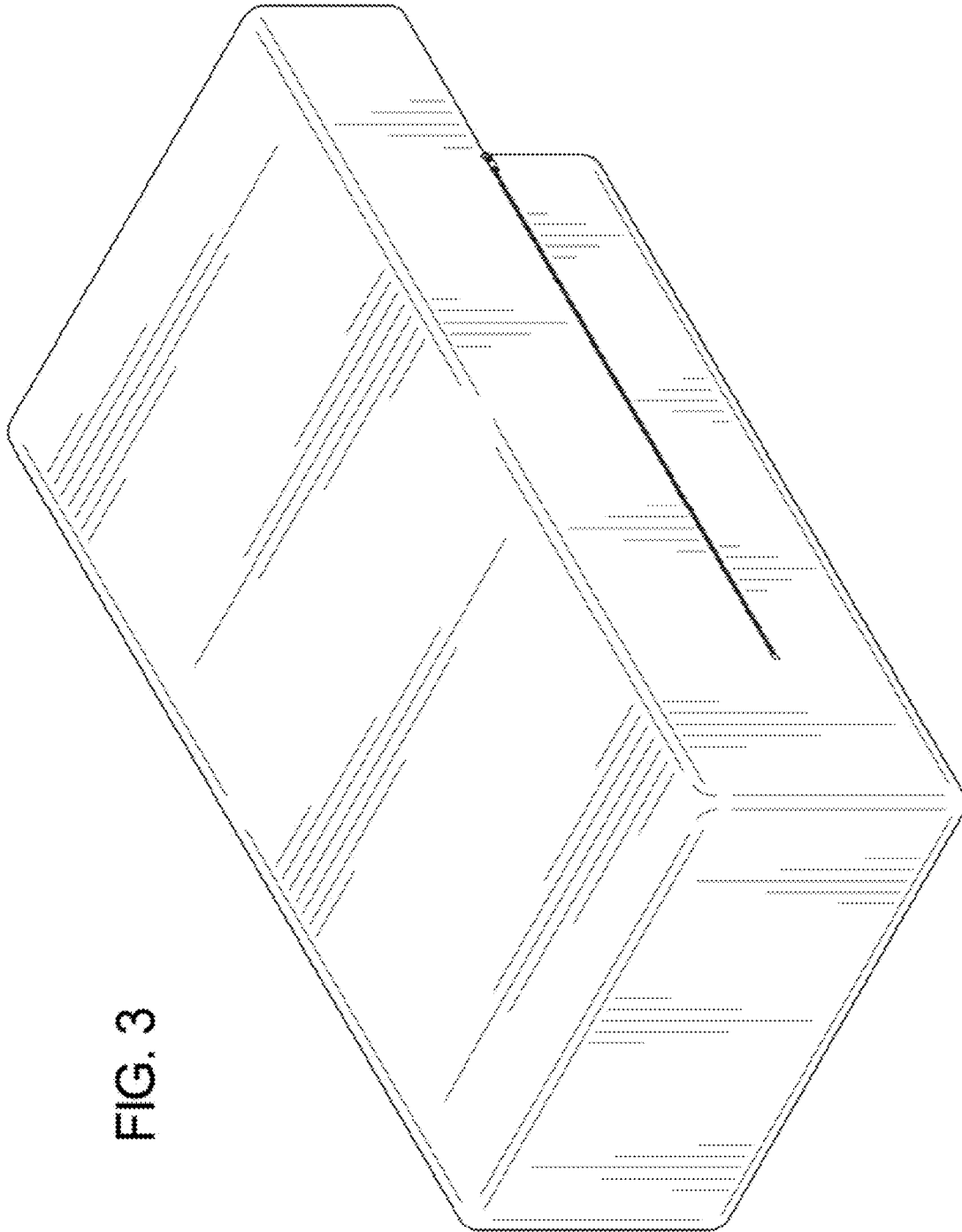


FIG. 3

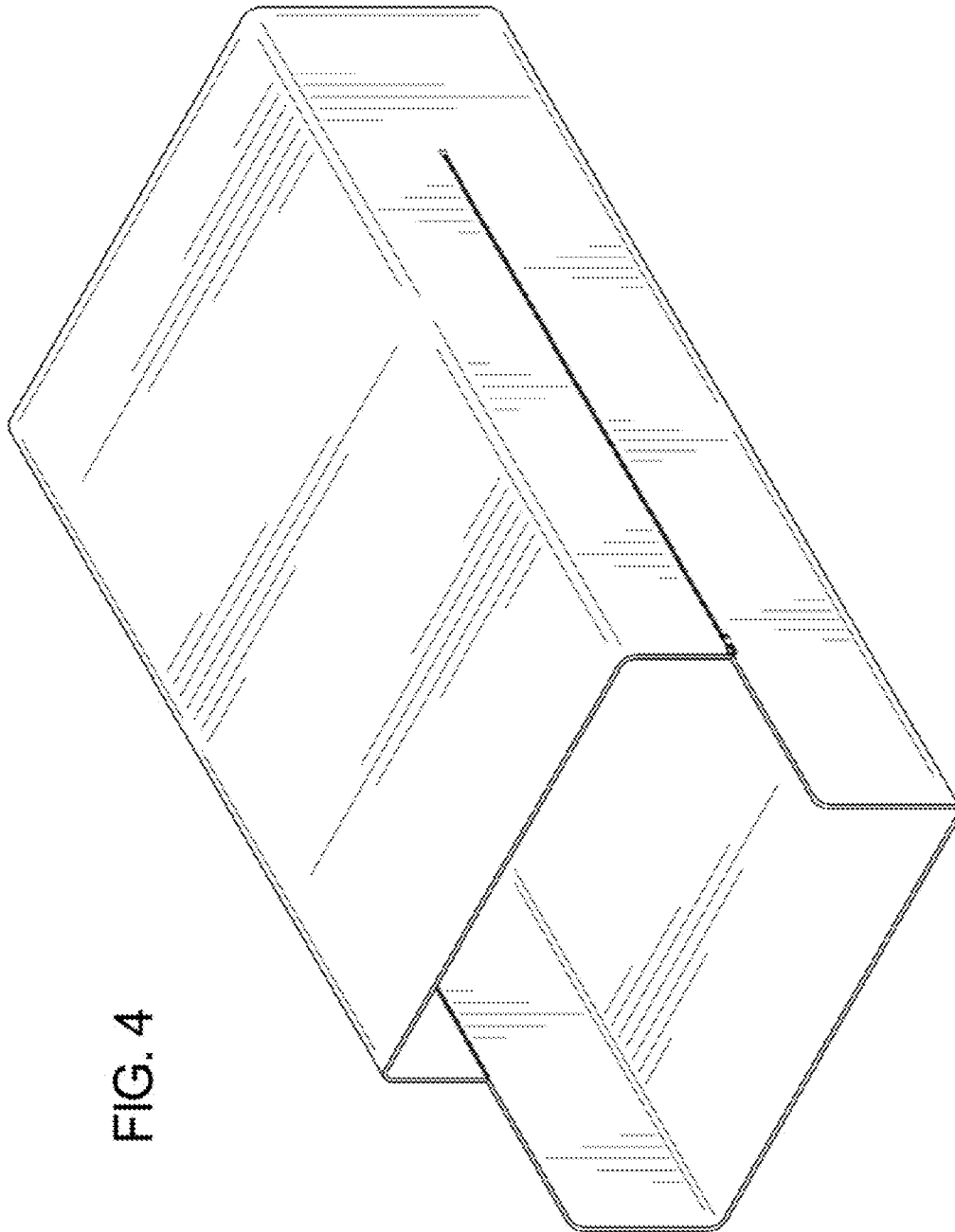


FIG. 4

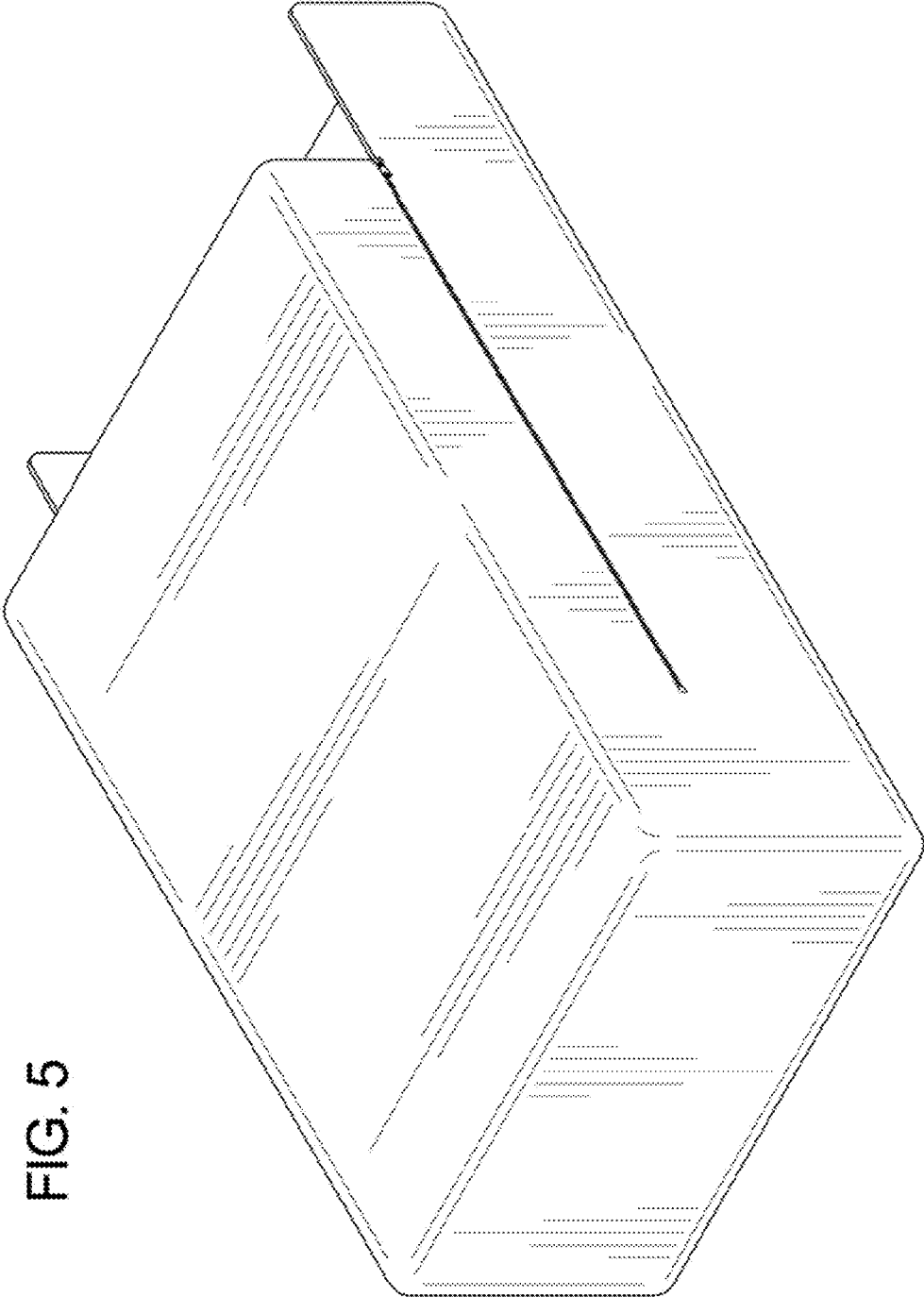


FIG. 5

FIG. 6

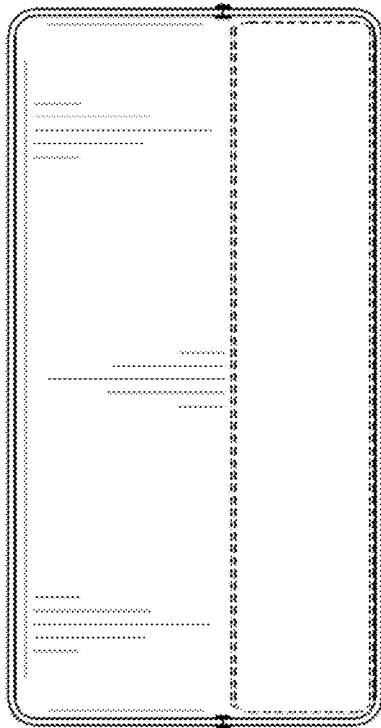


FIG. 7

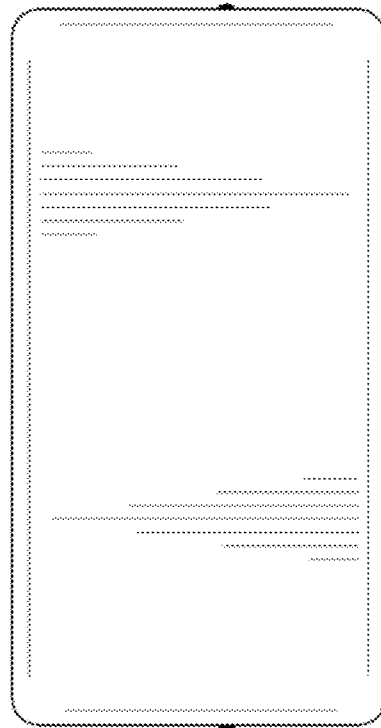


FIG. 8

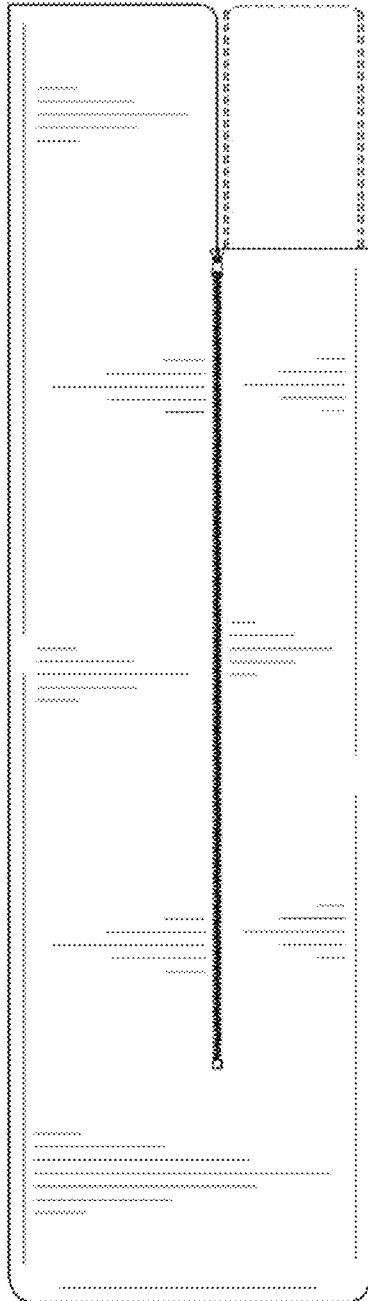


FIG. 9

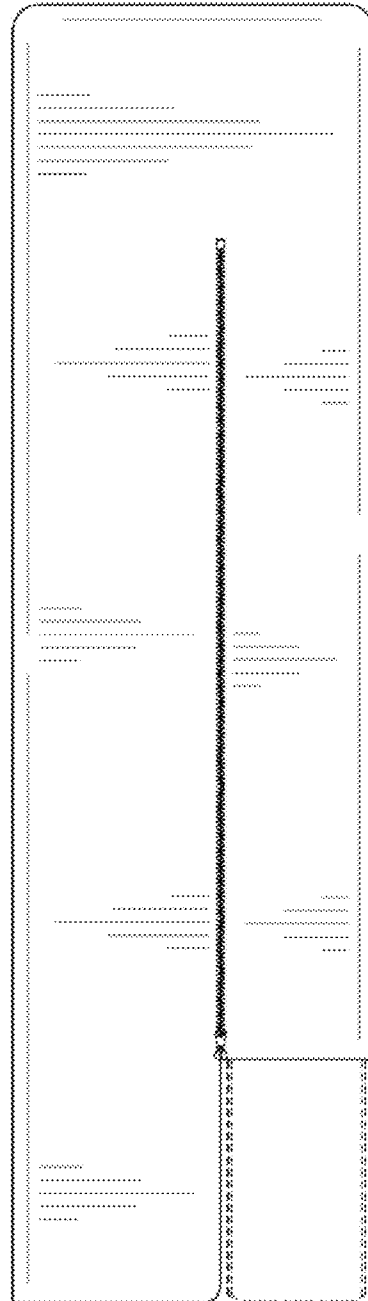


FIG. 10

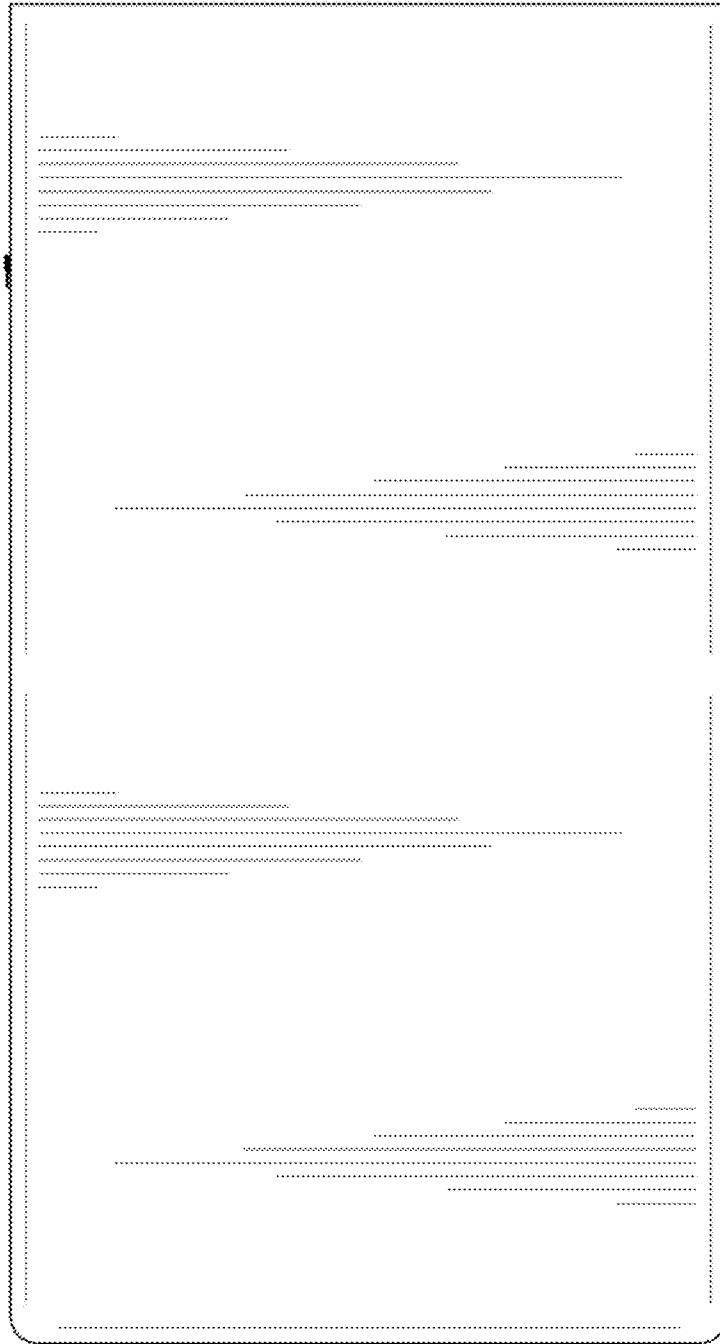
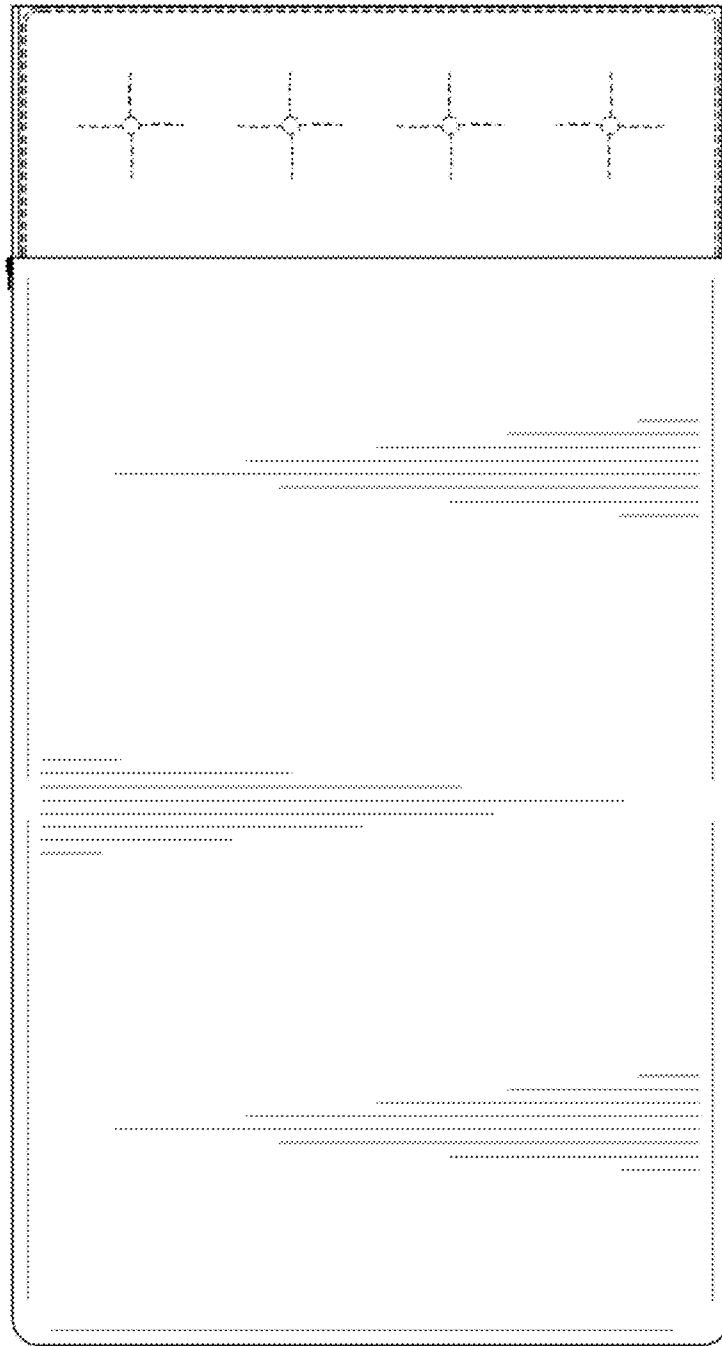


FIG. 11



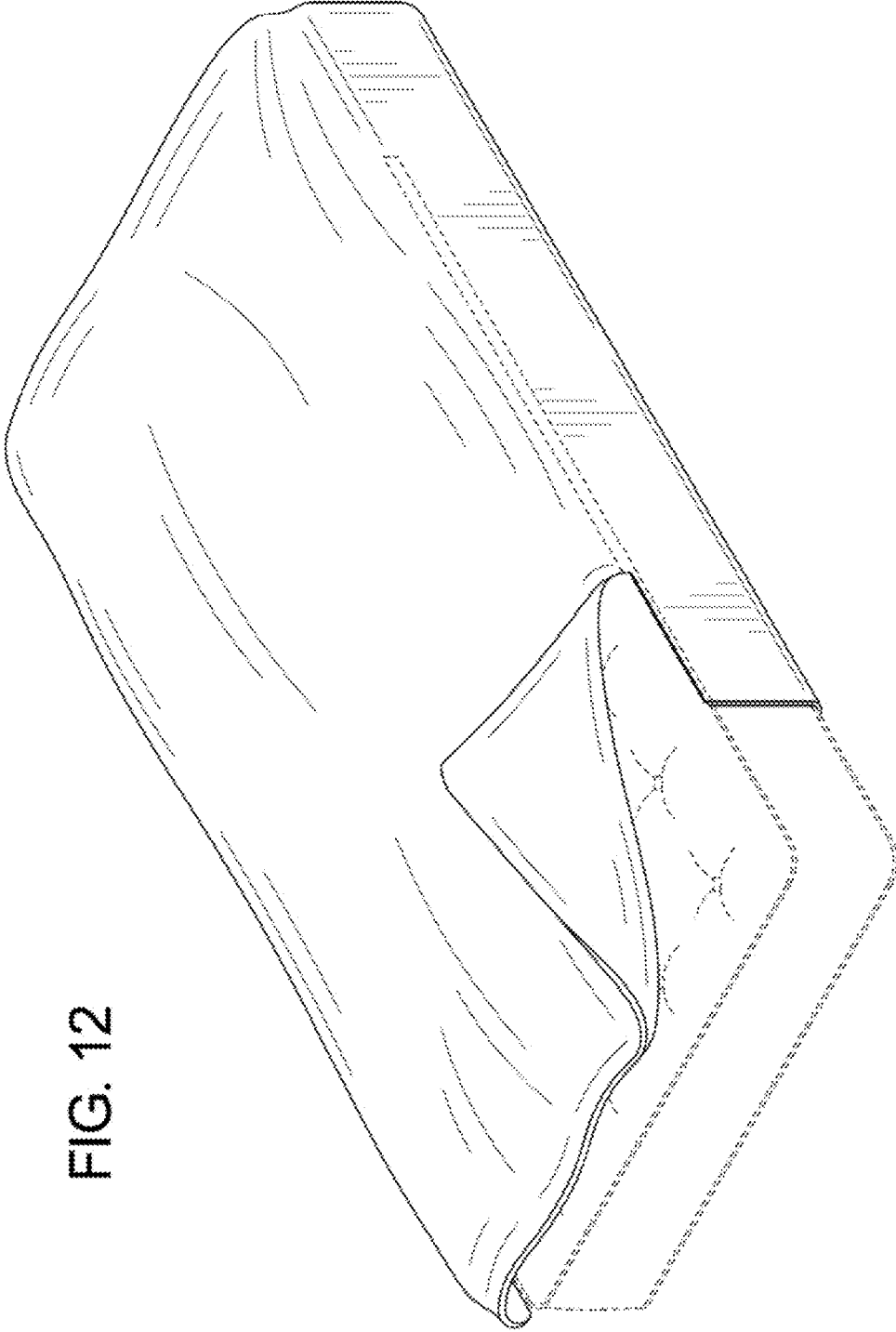


FIG. 12

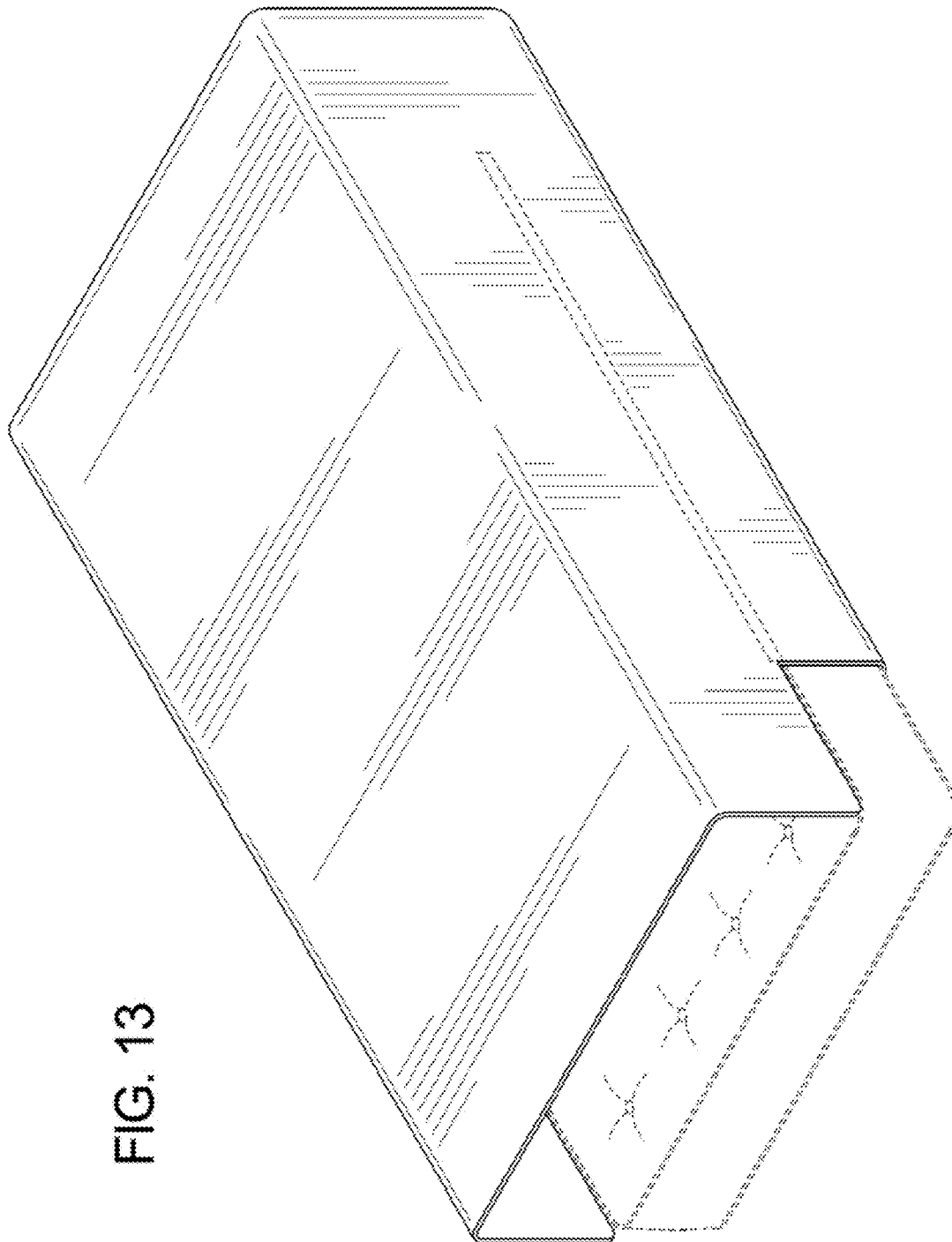


FIG. 13

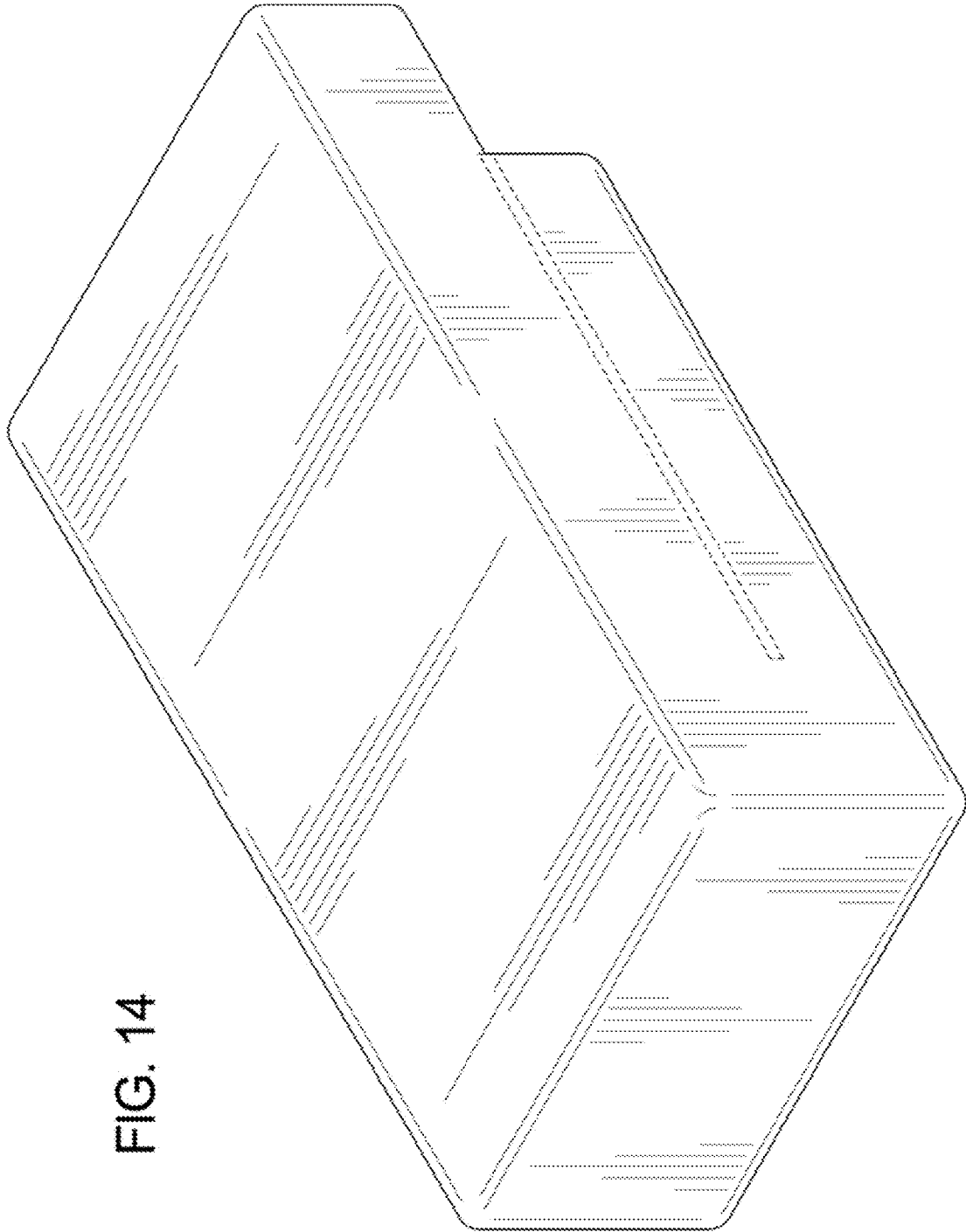


FIG. 14

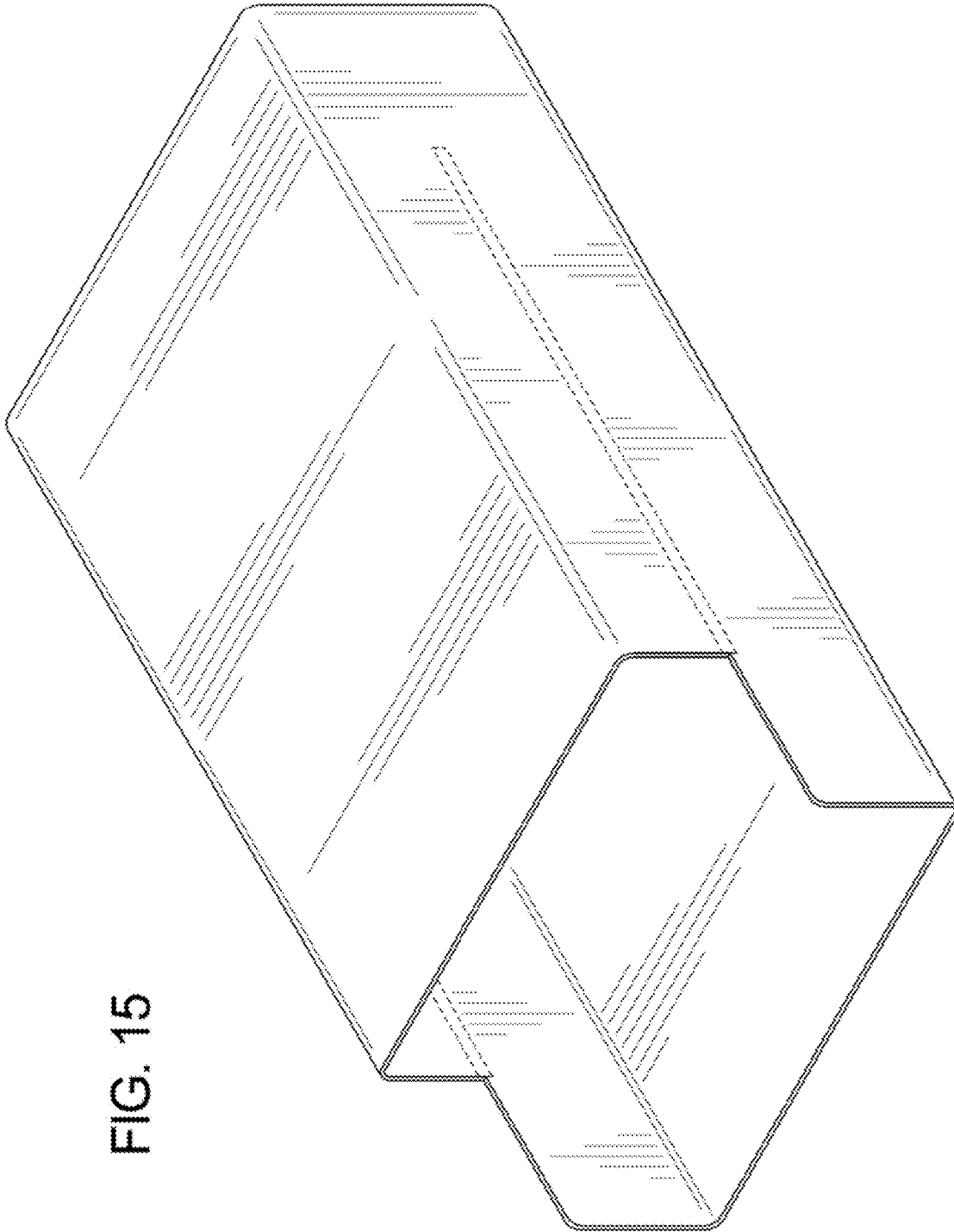


FIG. 15

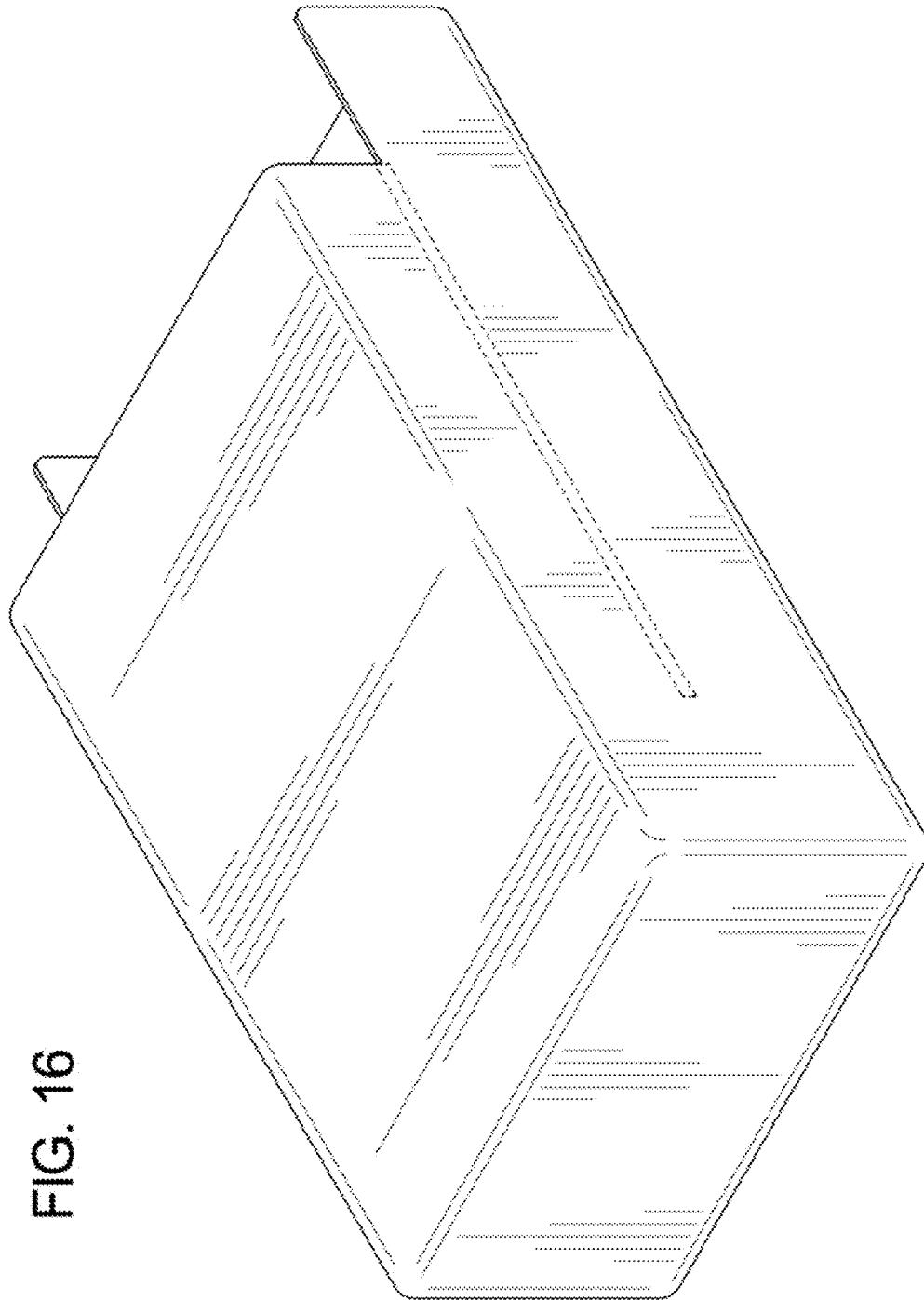


FIG. 16

FIG. 17

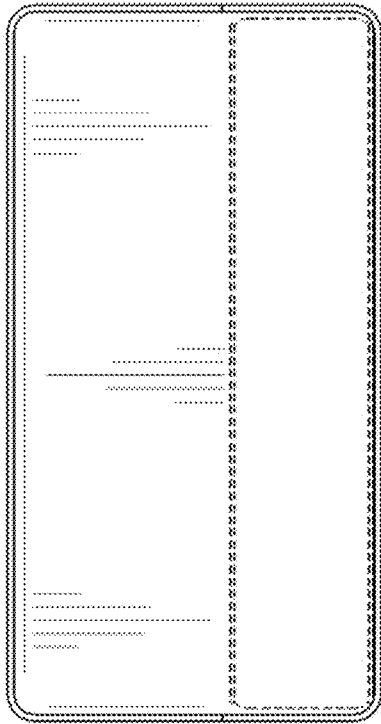


FIG. 18

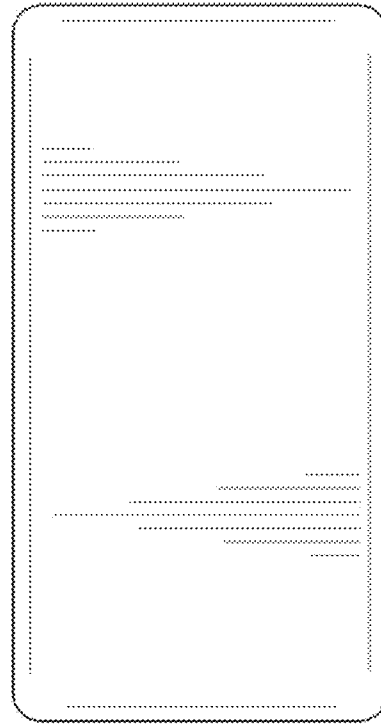


FIG. 19

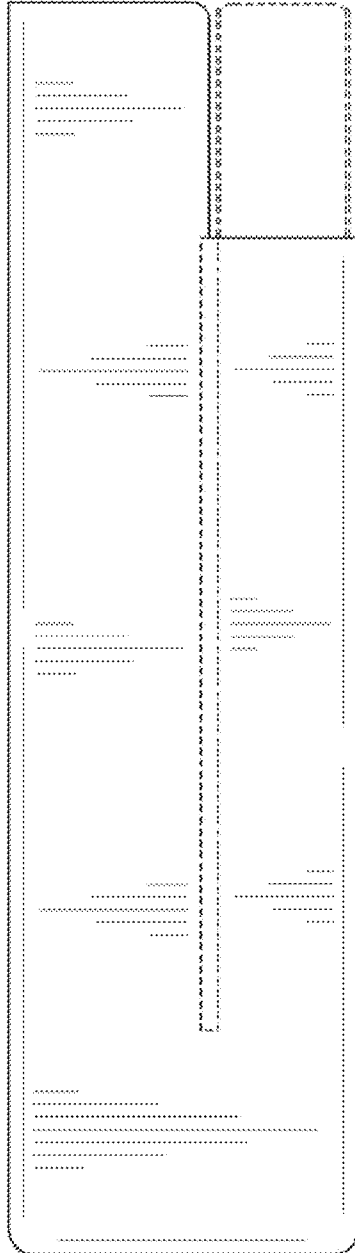


FIG. 20

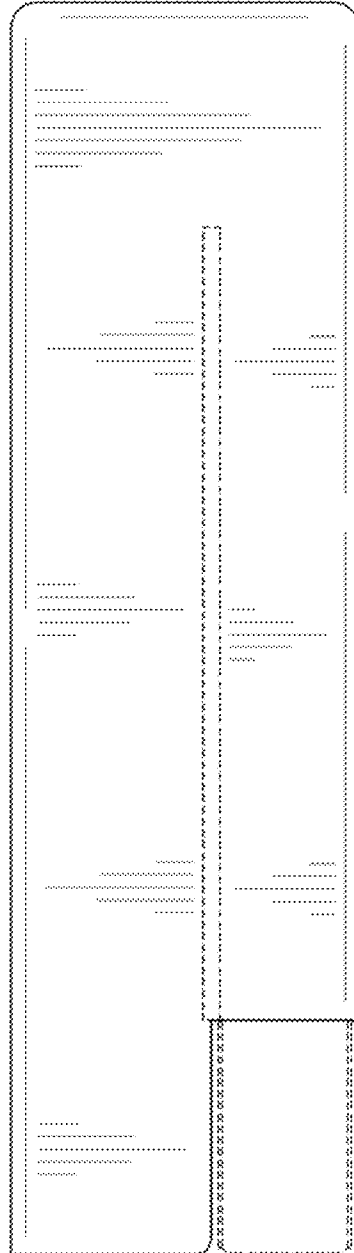


FIG. 21

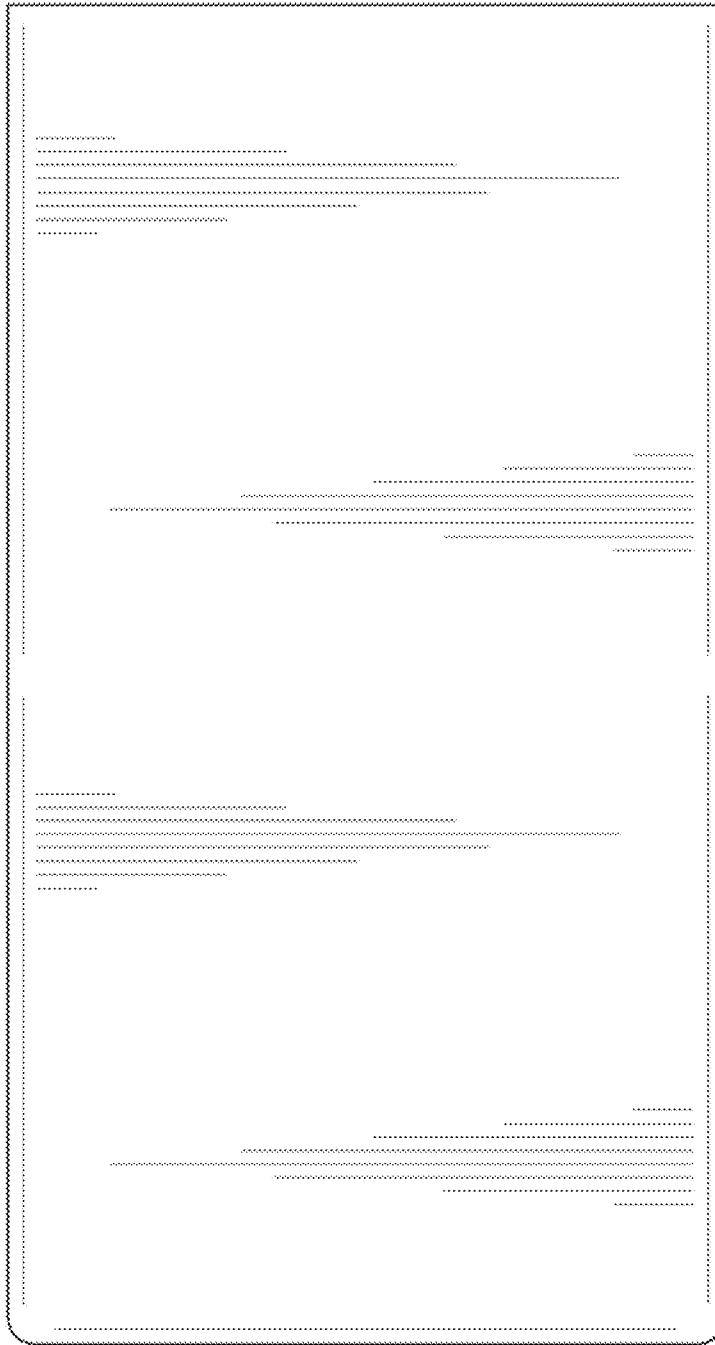


FIG. 22

