



US00D699985S

(12) **United States Design Patent**
Roithner

(10) **Patent No.:** **US D699,985 S**

(45) **Date of Patent:** **** Feb. 25, 2014**

(54) **HOLDER**

(76) Inventor: **Thomas Roithner**, Vienna (AT)

(**) Term: **14 Years**

(21) Appl. No.: **29/424,386**

(22) Filed: **Jun. 12, 2012**

(30) **Foreign Application Priority Data**

Dec. 15, 2011 (EM) 001306187-0001

(51) **LOC (10) CL.** **06-06**

(52) **U.S. CL.**
USPC **D6/675**

(58) **Field of Classification Search**

USPC D6/396-397, 432, 436, 440-441, 449,
D6/466-467, 657, 663-664, 667, 672-673,
D6/677, 675; D7/398, 601, 610, 701-708;
D9/418, 425, 435, 438; 119/61.53;
206/30, 85.2, 163-165; 248/175,
248/465.1, 511-512, 519

See application file for complete search history.

(56) **References Cited**

U.S. PATENT DOCUMENTS

948,014	A *	2/1910	Lewis	119/61.5
2,242,741	A *	5/1941	Betts et al.	229/113
D392,514	S *	3/1998	Steinfels	D7/624.1
5,878,989	A *	3/1999	Allman	248/522
D570,245	S *	6/2008	McAbee	D11/164
D615,452	S *	5/2010	Banman	D11/164
D624,353	S *	9/2010	Odeh	D7/359
D676,353	S *	2/2013	Bycraft	D11/130.1

* cited by examiner

Primary Examiner — Kelley Donnelly

(74) *Attorney, Agent, or Firm* — Cozen O'Connor

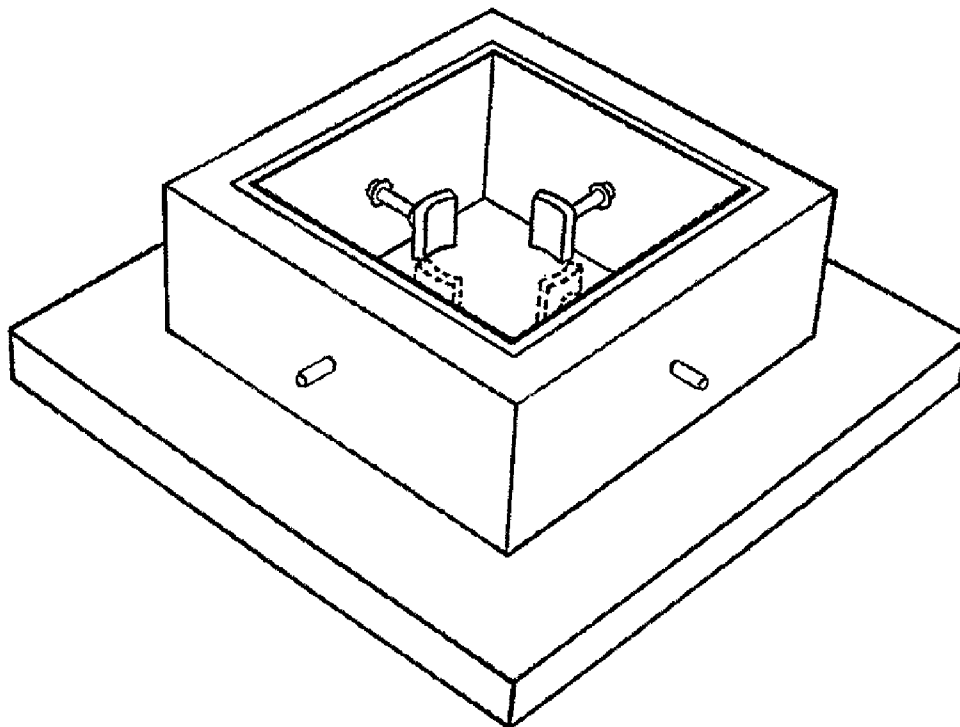
(57) **CLAIM**

The ornamental design for a holder, as shown and described.

DESCRIPTION

FIG. 1 shows a perspective view of a holder with the top cover fully removed;
FIG. 2 shows a perspective view of the holder of FIG. 1 with the top cover partially removed; and,
FIG. 3 shows a perspective view of the holder of FIGS. 1 and 2 with the top cover in place in its intended manner.
The broken lines form no part of the claimed design.

1 Claim, 1 Drawing Sheet



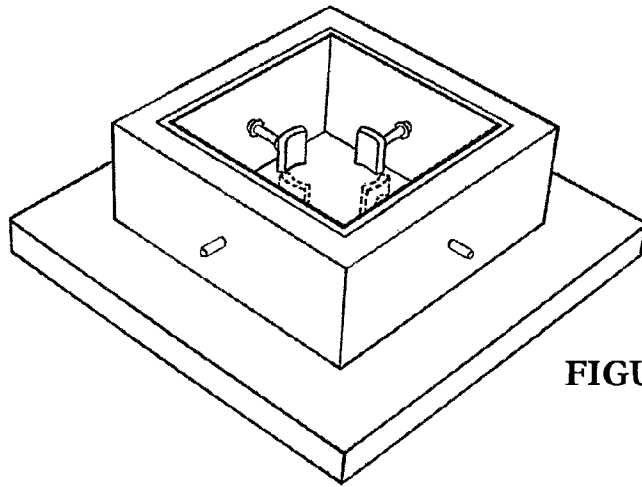


FIGURE 1

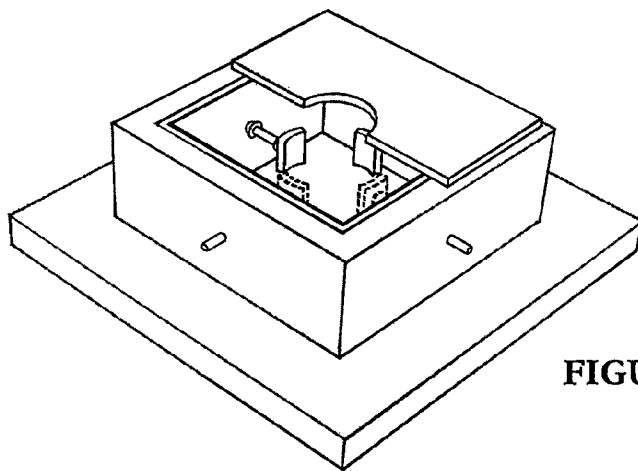


FIGURE 2

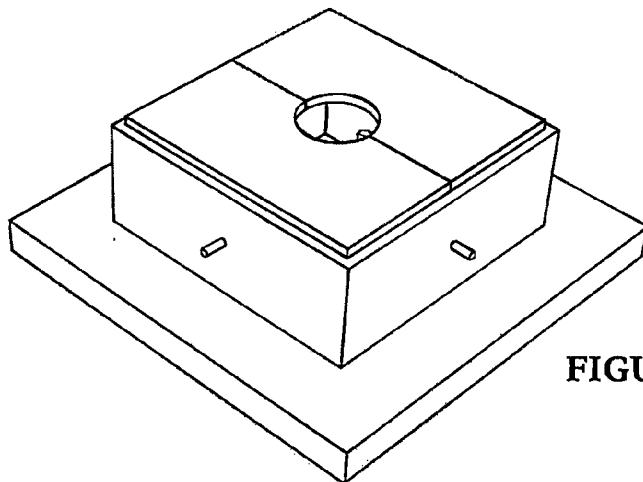


FIGURE 3