



(12) **United States Design Patent**
Buttress et al.

(10) **Patent No.:** **US D1,069,172 S**
(45) **Date of Patent:** **** Apr. 1, 2025**

- (54) **DOCK PILING RING**
 - (71) Applicant: **DEK-O-BLOCK, LLC**, North Palm Beach, FL (US)
 - (72) Inventors: **Aaron Buttress**, North Palm Beach, FL (US); **Thomas Bert Wilson**, North Palm Beach, FL (US)
 - (73) Assignee: **DEK-O-BLOCK, LLC**, North Palm Beach, FL (US)
 - (**) Term: **15 Years**
 - (21) Appl. No.: **29/834,668**
 - (22) Filed: **Apr. 13, 2022**
 - (51) **LOC (15) Cl.** **25-02**
 - (52) **U.S. Cl.**
USPC **D25/43**
 - (58) **Field of Classification Search**
USPC D25/48.5, 38.1, 164, 135, 133, 43, 42, D25/119, 131, 45, 39; D8/364
CPC E04H 17/1447; E04H 17/006; E04H 17/1417; E04H 17/1482; E04H 17/18; E04H 17/013; E04H 17/168; B32B 1/08; B32B 2597/00; B29C 48/09; B29C 48/151
- See application file for complete search history.

- D983,415 S * 4/2023 Foley D25/133
- 2008/0006478 A1* 1/2008 Dreyer F16L 55/0336
- 181/205
- 2016/0089846 A1* 3/2016 McCartney B32B 1/08
- 264/150
- 2024/0141686 A1* 5/2024 Schneider E04H 17/168
- 2024/0360692 A1* 10/2024 Orbin E04H 17/21

OTHER PUBLICATIONS

Dek-O-Block, date first available Oct. 12, 2022 [online], Available from the internet URL: <https://www.facebook.com/photo?fbid=142688558478911&set=pcb.142688615145572> (Year: 2022).*

Lynn Manufacturing Burner Head Protector, date first available May 12, 2016 [online], Available from the internet URL: <https://www.amazon.com/Burner-Protector-Ceramic-Fiber-Beckett/dp/B00QW2LNGK> (Year: 2016).*

* cited by examiner

Primary Examiner — Mitchell I. Siegel
Assistant Examiner — Jasmine L. Comedy
 (74) *Attorney, Agent, or Firm* — McHale & Slavin, P.A.

(57) **CLAIM**

The ornamental design for a dock piling ring as shown and described.

DESCRIPTION

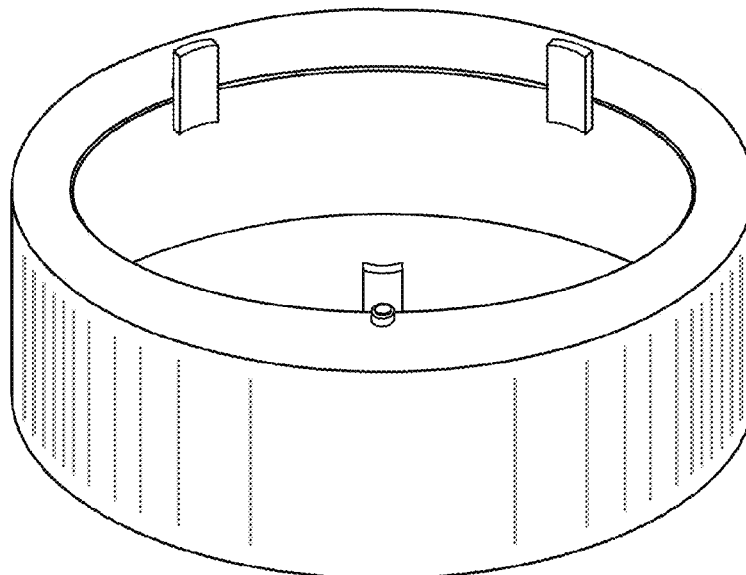
FIG. 1 is a perspective view of the dock piling ring of the present invention;
 FIG. 2 is a front view thereof;
 FIG. 3 is a back view thereof;
 FIG. 4 is a top view thereof;
 FIG. 5 is a bottom view thereof; and,
 FIG. 6 is another perspective view thereof, shown with additional broken line environment.
 The portions of the dock piling ring illustrated in broken lines form no part of the claimed design.

1 Claim, 6 Drawing Sheets

(56) **References Cited**

U.S. PATENT DOCUMENTS

- D190,523 S * 6/1961 Garbarini D26/68
- 5,972,139 A * 10/1999 Chu H02G 15/1806
- 156/84
- D474,546 S * 5/2003 Kohlberger D25/135
- D531,325 S * 10/2006 Navare D25/133
- D630,085 S * 1/2011 Zant D8/354
- D887,026 S * 6/2020 Foley D25/133
- D948,081 S * 4/2022 Goldberg D25/133



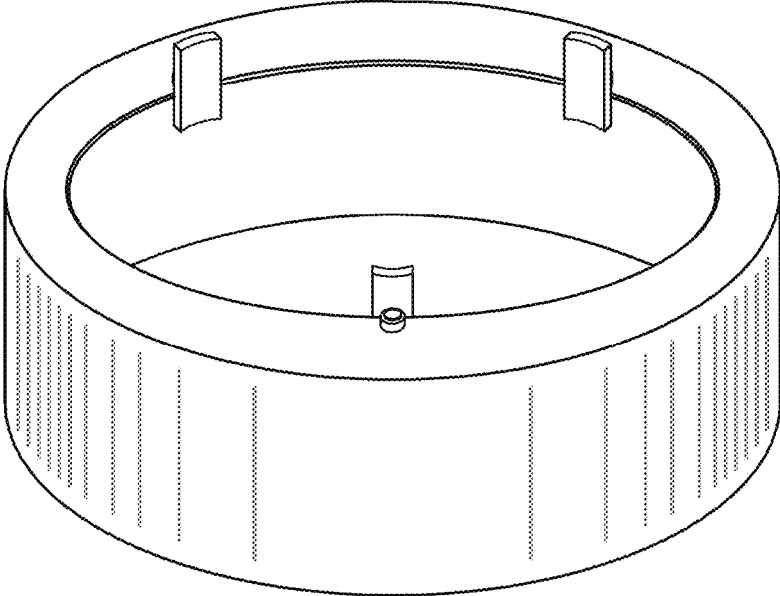


Fig. 1

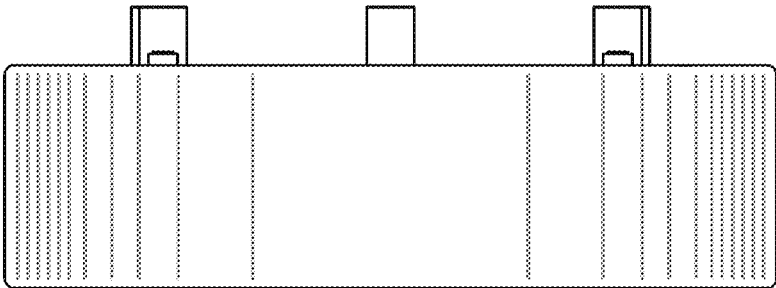


Fig. 2

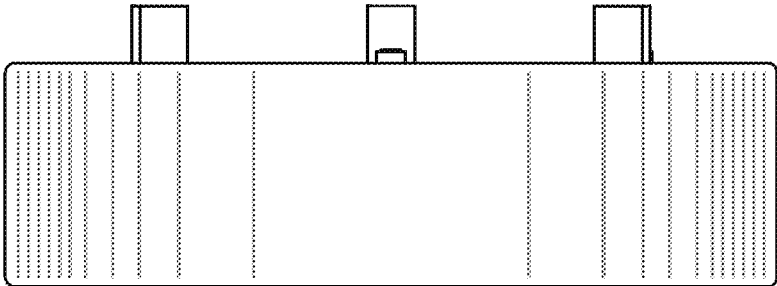


Fig. 3

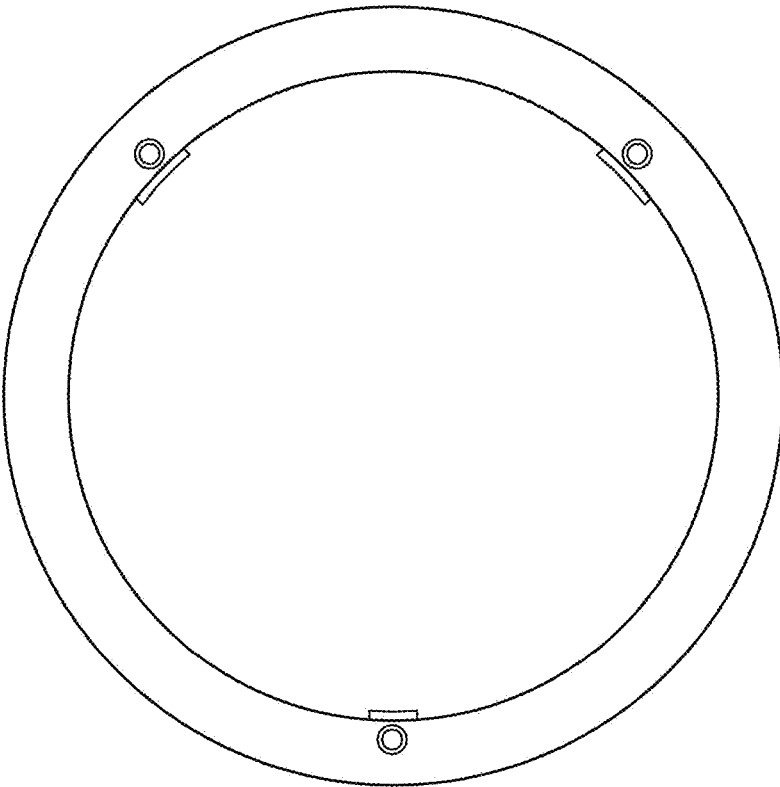


Fig. 4

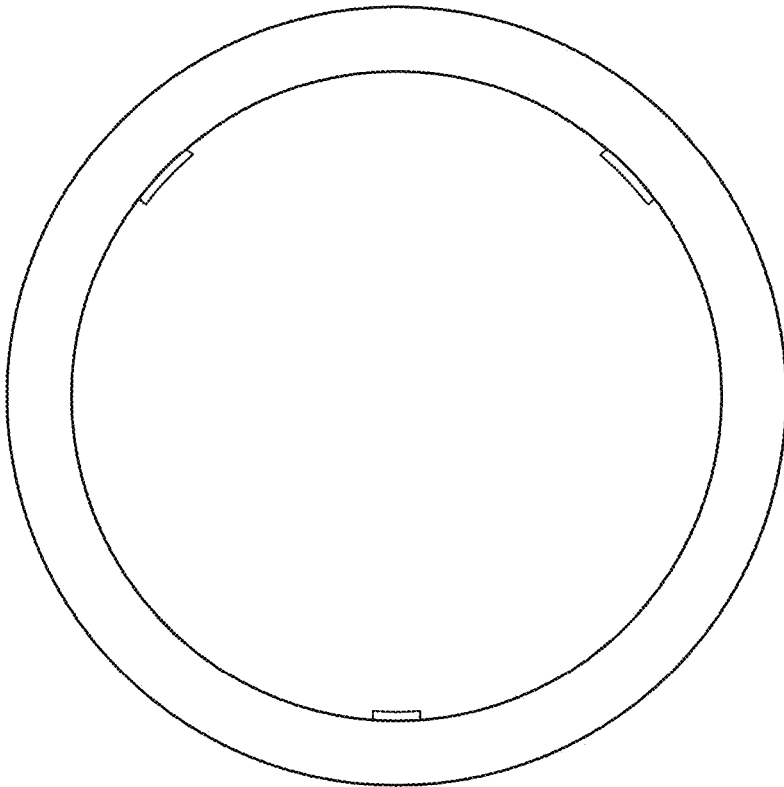


Fig. 5

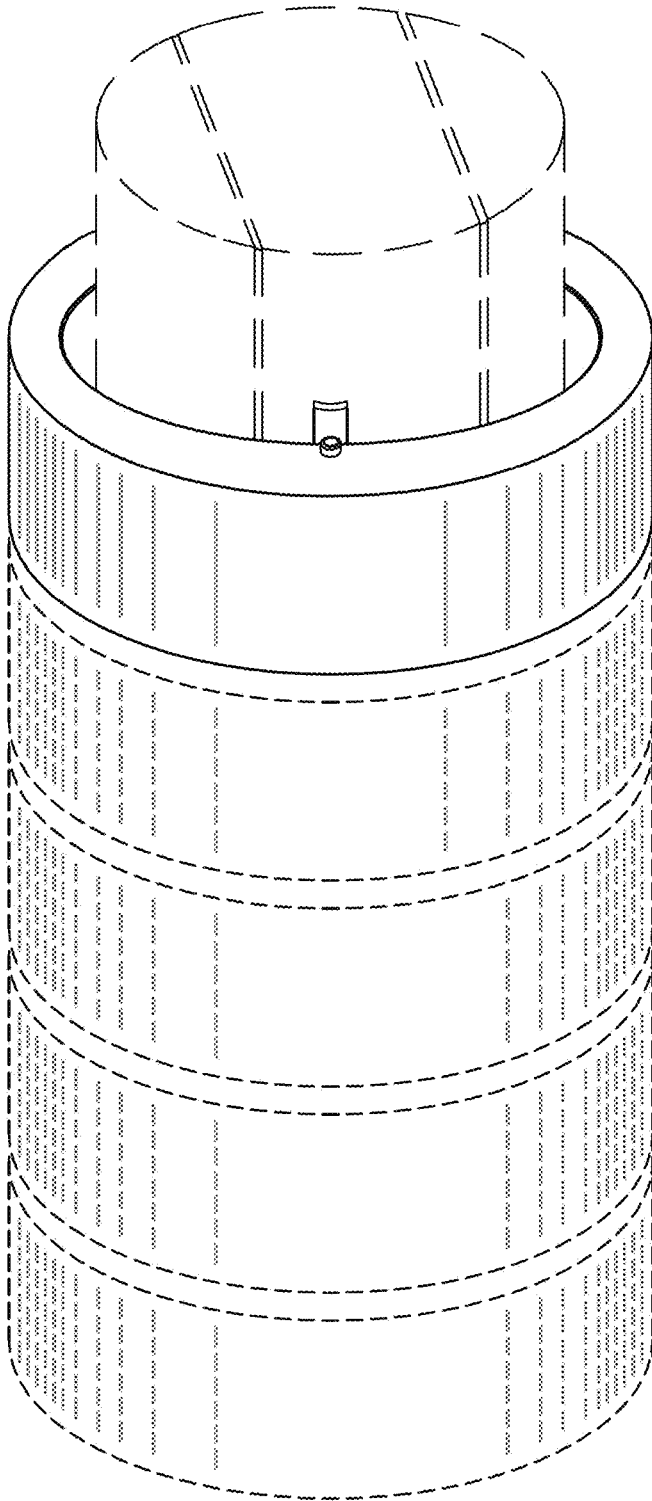


Fig. 6