



US00D549854S

(12) **United States Design Patent**
Takahashi

(10) **Patent No.:** **US D549,854 S**

(45) **Date of Patent:** **** Aug. 28, 2007**

(54) **LIGHT EMITTING DIODE LAMP**

D528,673 S * 9/2006 Maxik et al. D26/2
D534,665 S * 1/2007 Egawa et al. D26/2

(75) Inventor: **Aiko Takahashi**, Tokyo (JP)

* cited by examiner

(73) Assignee: **Toshiba Lighting & Technology Corporation**, Tokyo (JP)

Primary Examiner—Marcus A. Jackson

(74) *Attorney, Agent, or Firm*—J.C. Patents

(**) Term: **14 Years**

(57) **CLAIM**

(21) Appl. No.: **29/250,570**

The ornamental design for a light emitting diode lamp, as shown and described.

(22) Filed: **Nov. 21, 2006**

(30) **Foreign Application Priority Data**

May 24, 2006 (JP) 2006-013177

DESCRIPTION

(51) **LOC (8) Cl.** **26-04**

FIG. 1 is a perspective view of a light emitting diode lamp showing the new design;

(52) **U.S. Cl.** **D26/2**

FIG. 2 is a front view thereof;

(58) **Field of Classification Search** D26/1-4;
313/313, 315, 317, 318, 493; 315/52, 53,
315/56, 57, 58

FIG. 3 is a rear view thereof;

FIG. 4 is a left side view thereof;

FIG. 5 is a right side view thereof;

See application file for complete search history.

FIG. 6 is a top view thereof;

FIG. 7 is a bottom view thereof; and,

FIG. 8 is an end elevational view in section taken along line 8—8 in FIG. 2 with the internal parts omitted.

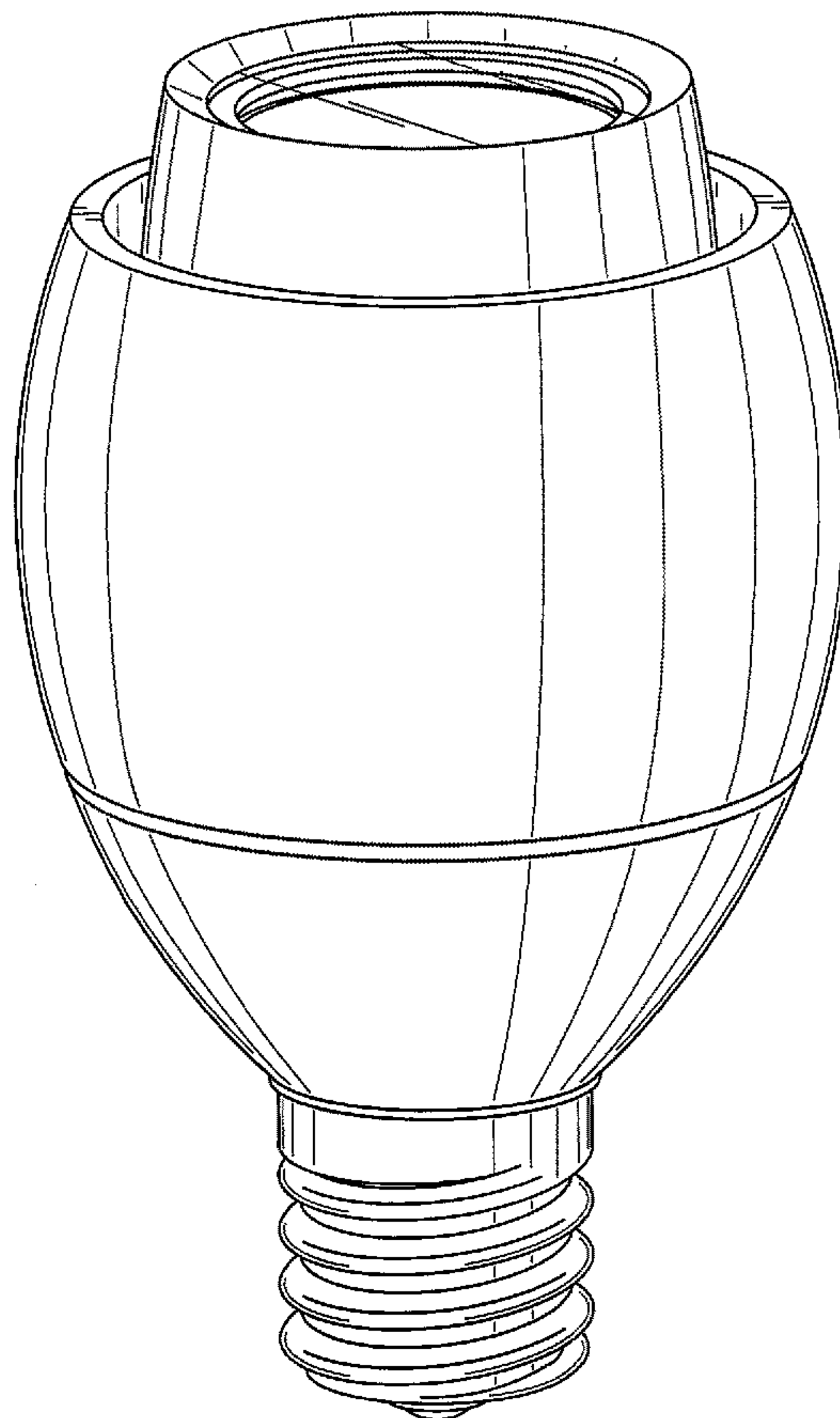
(56) **References Cited**

U.S. PATENT DOCUMENTS

D499,820 S * 12/2004 Foo D26/2

D508,575 S * 8/2005 Buschmann et al. D26/2

1 Claim, 8 Drawing Sheets



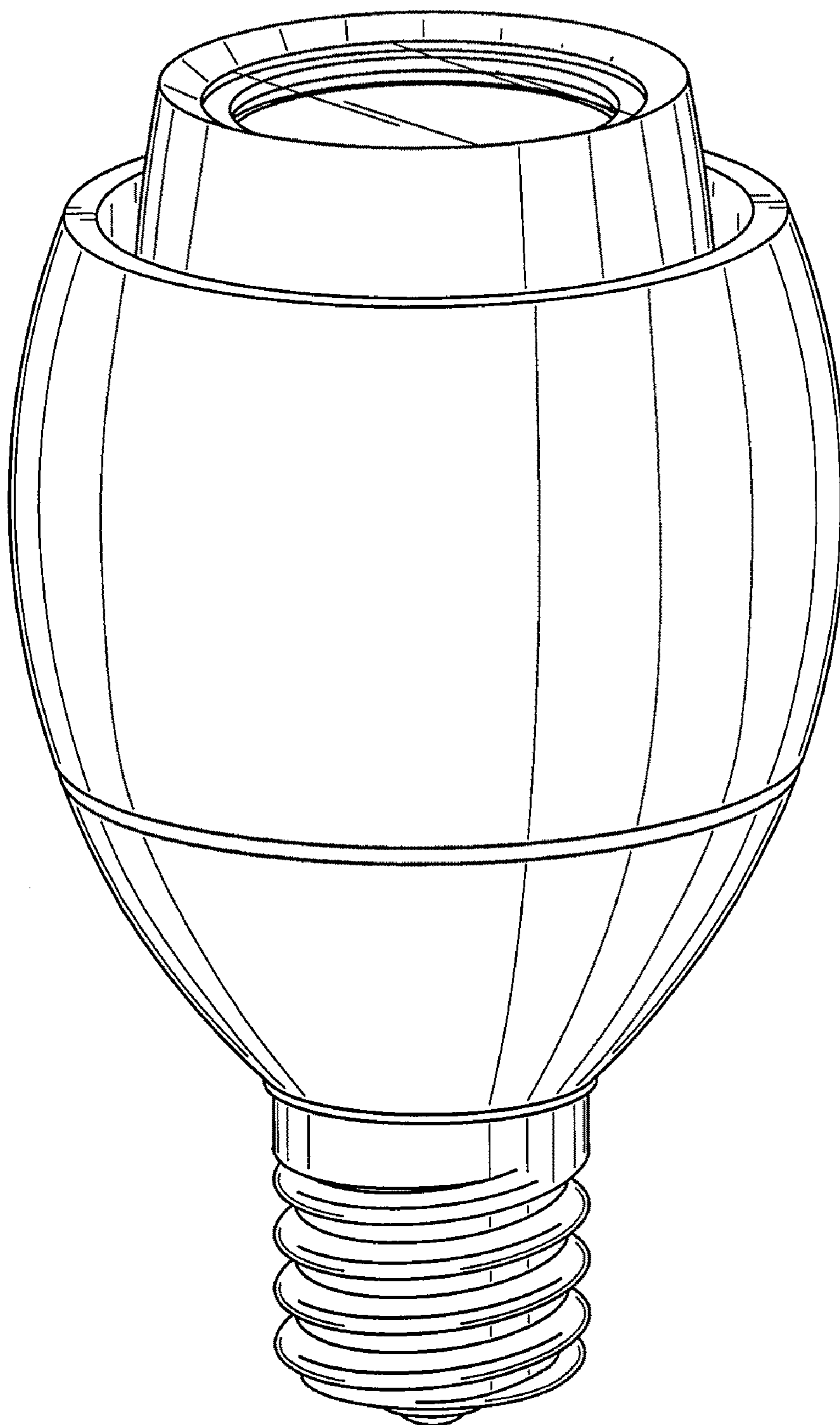


FIG. 1

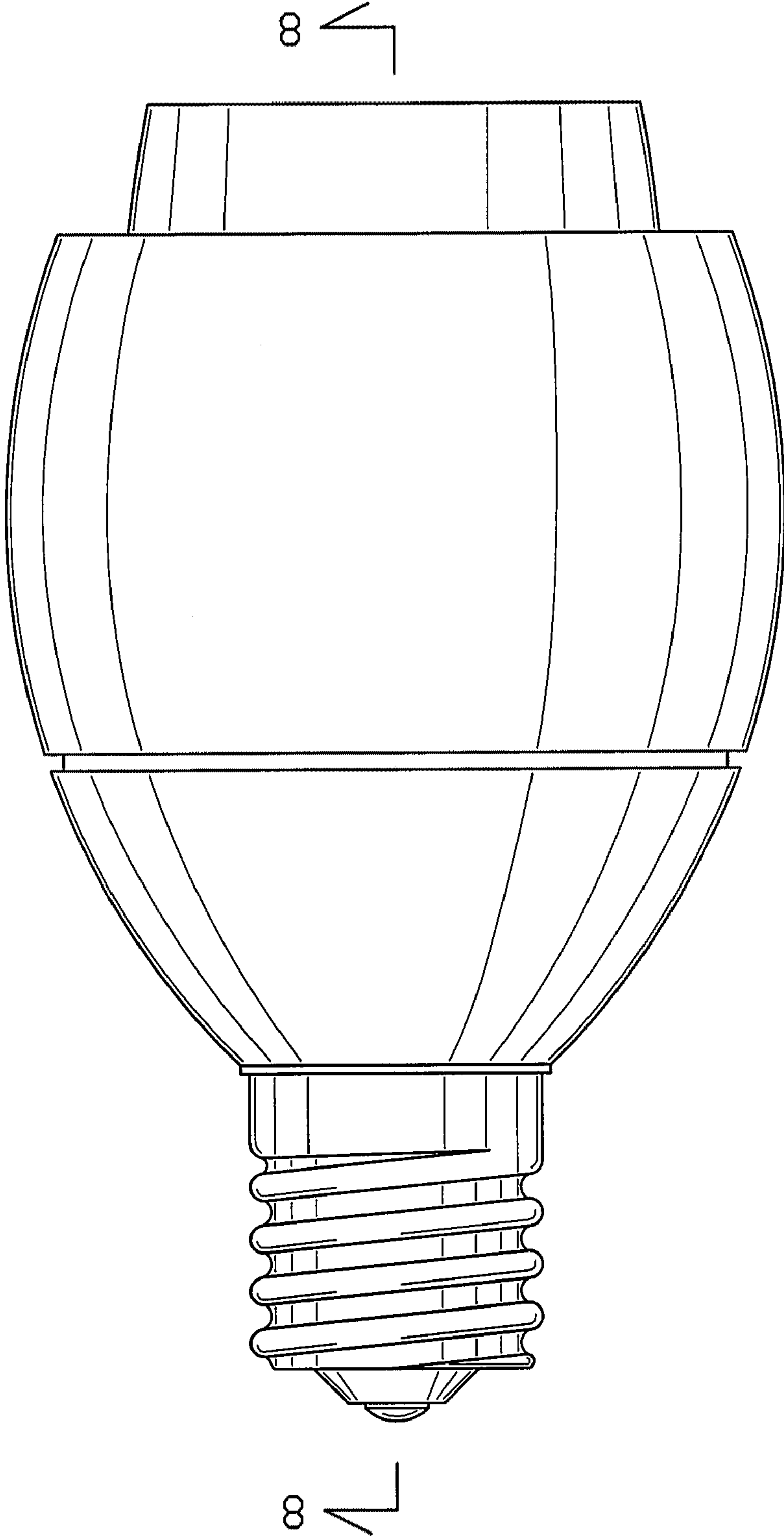


FIG. 2

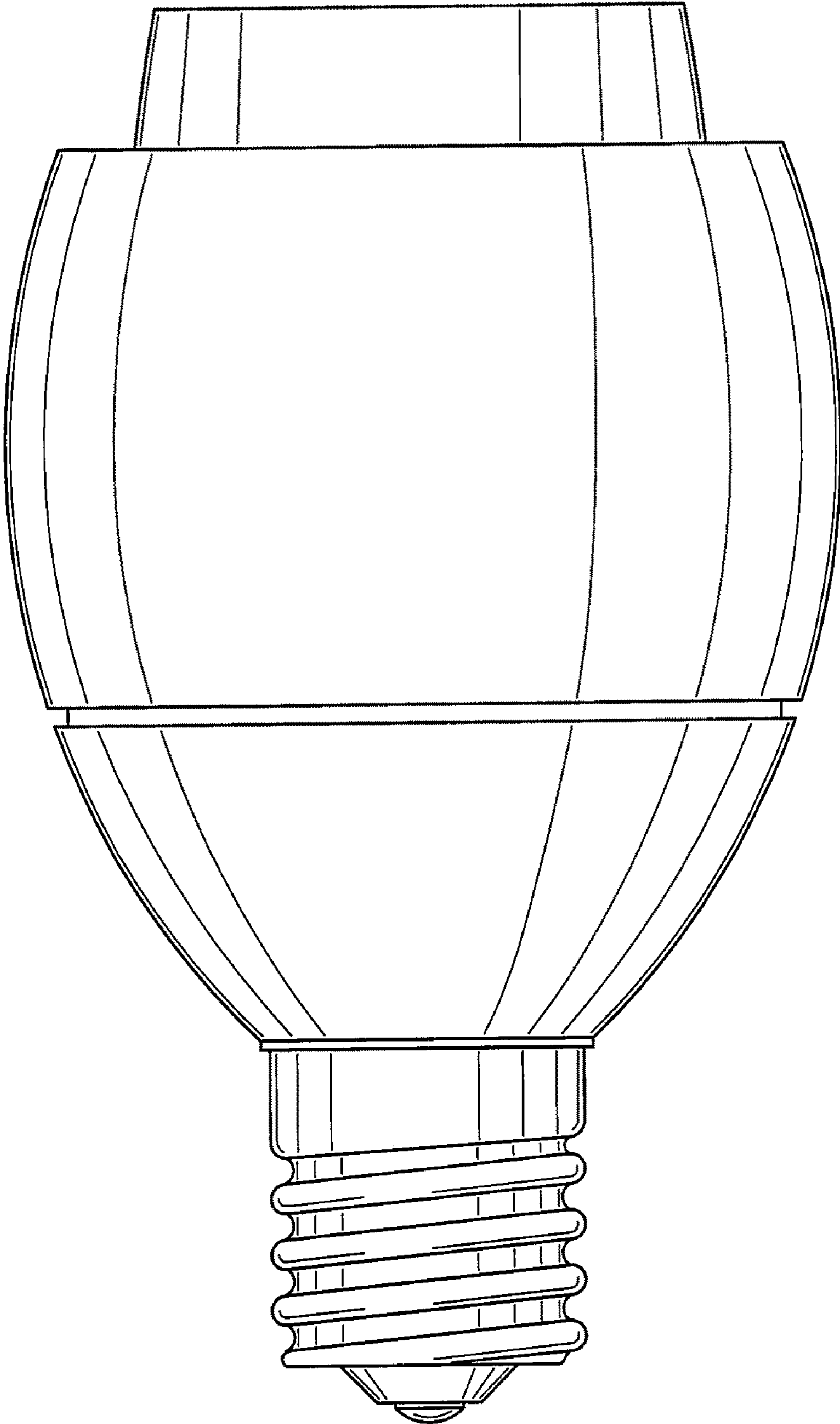


FIG. 3

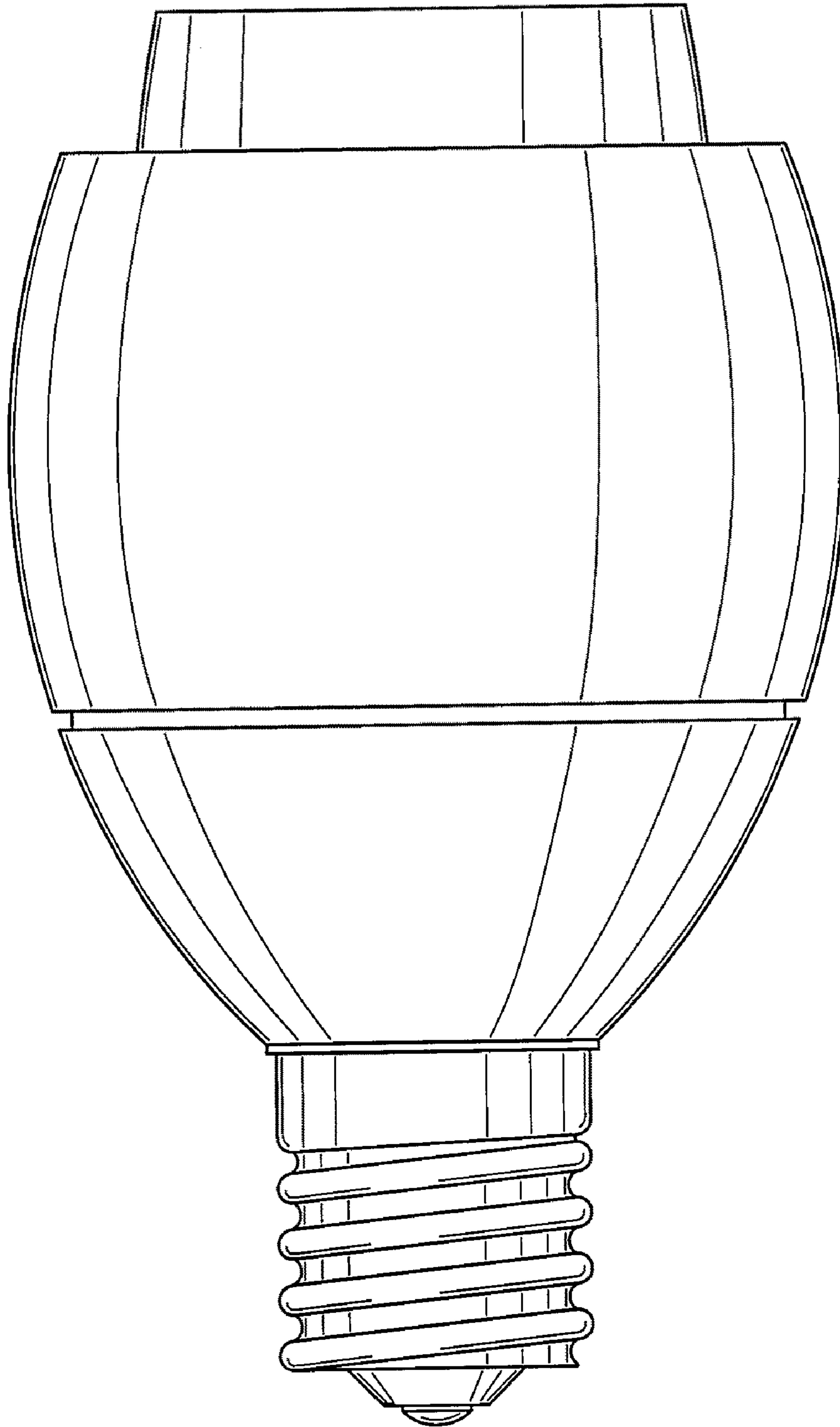


FIG. 4

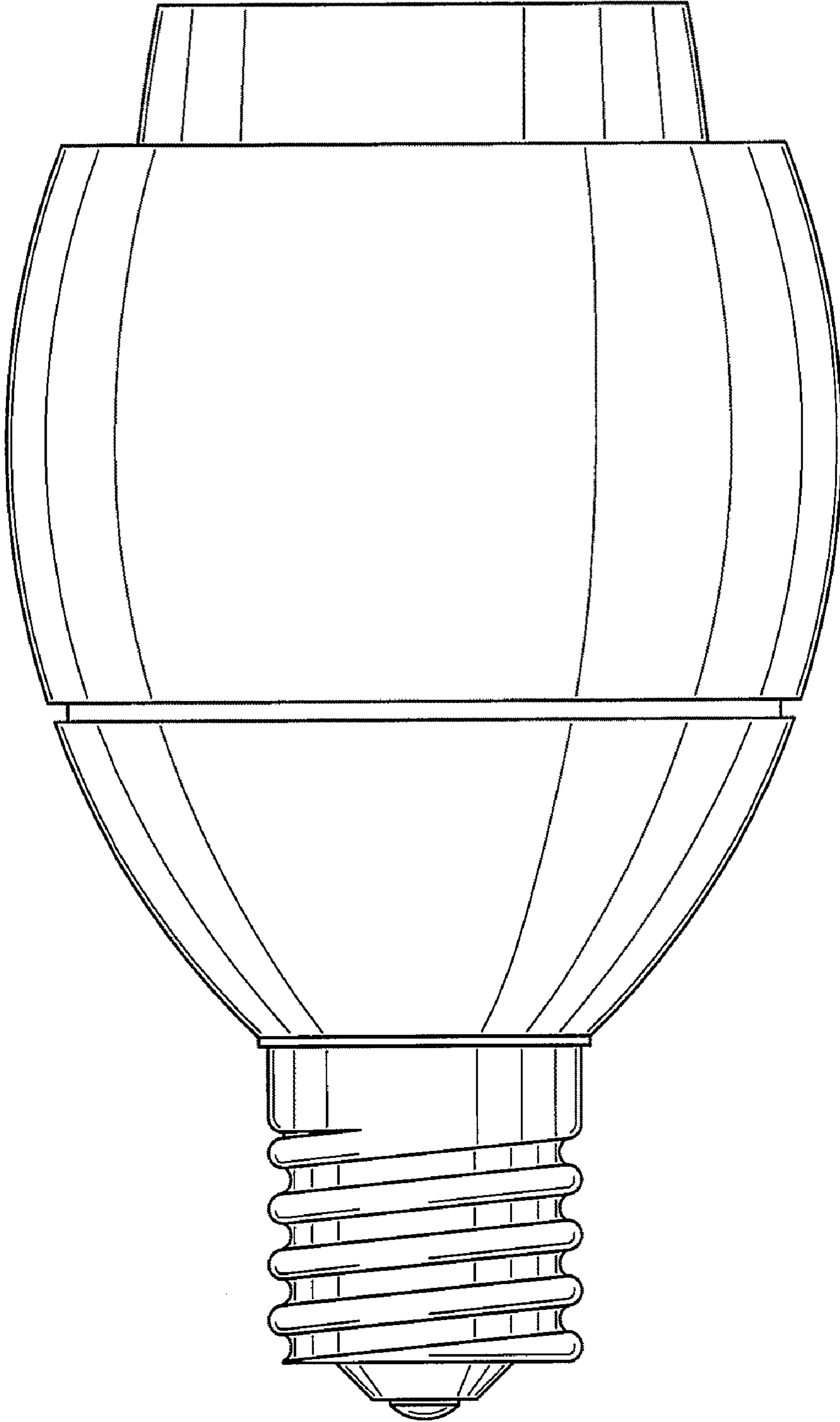


FIG. 5

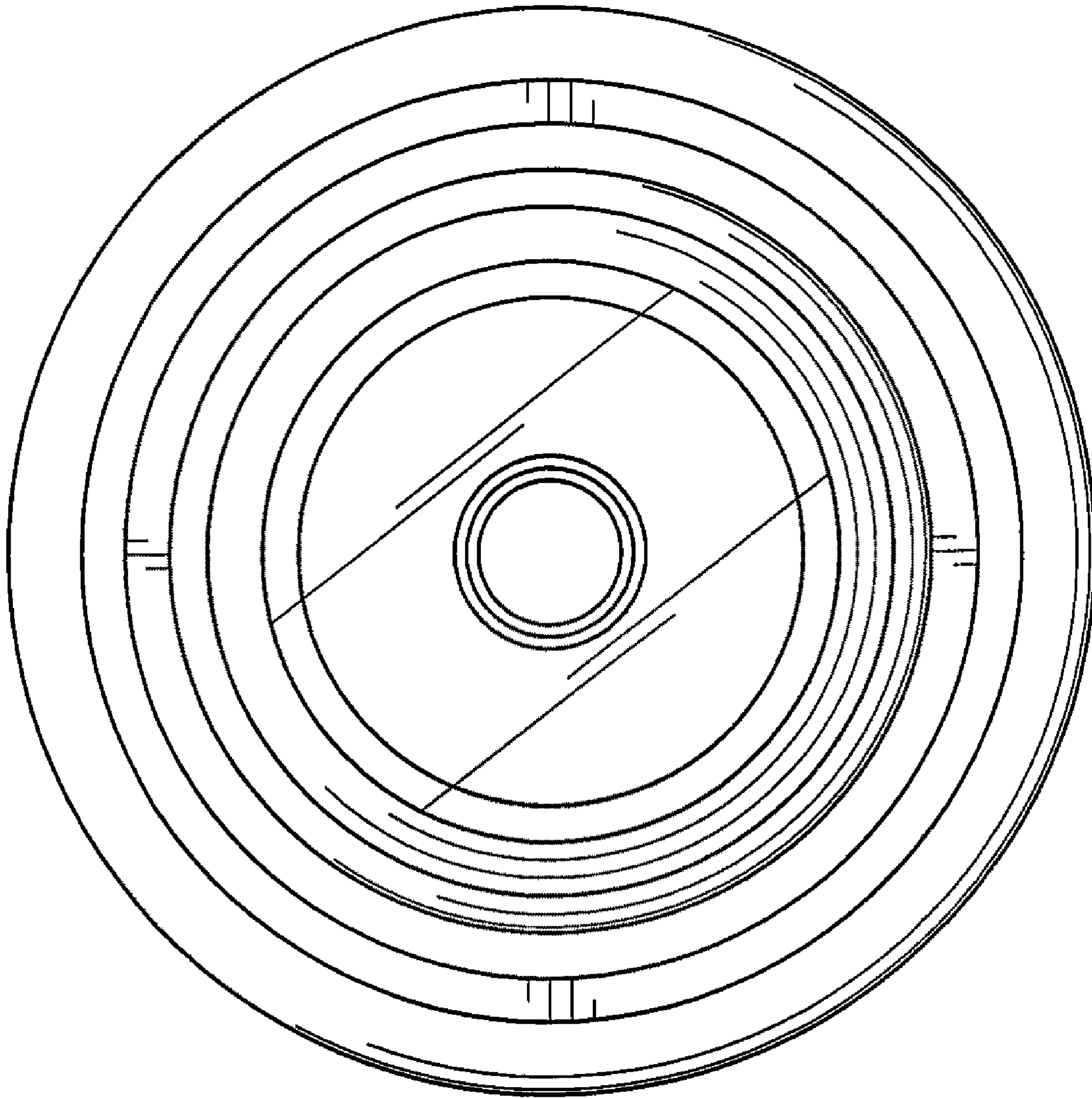


FIG. 6

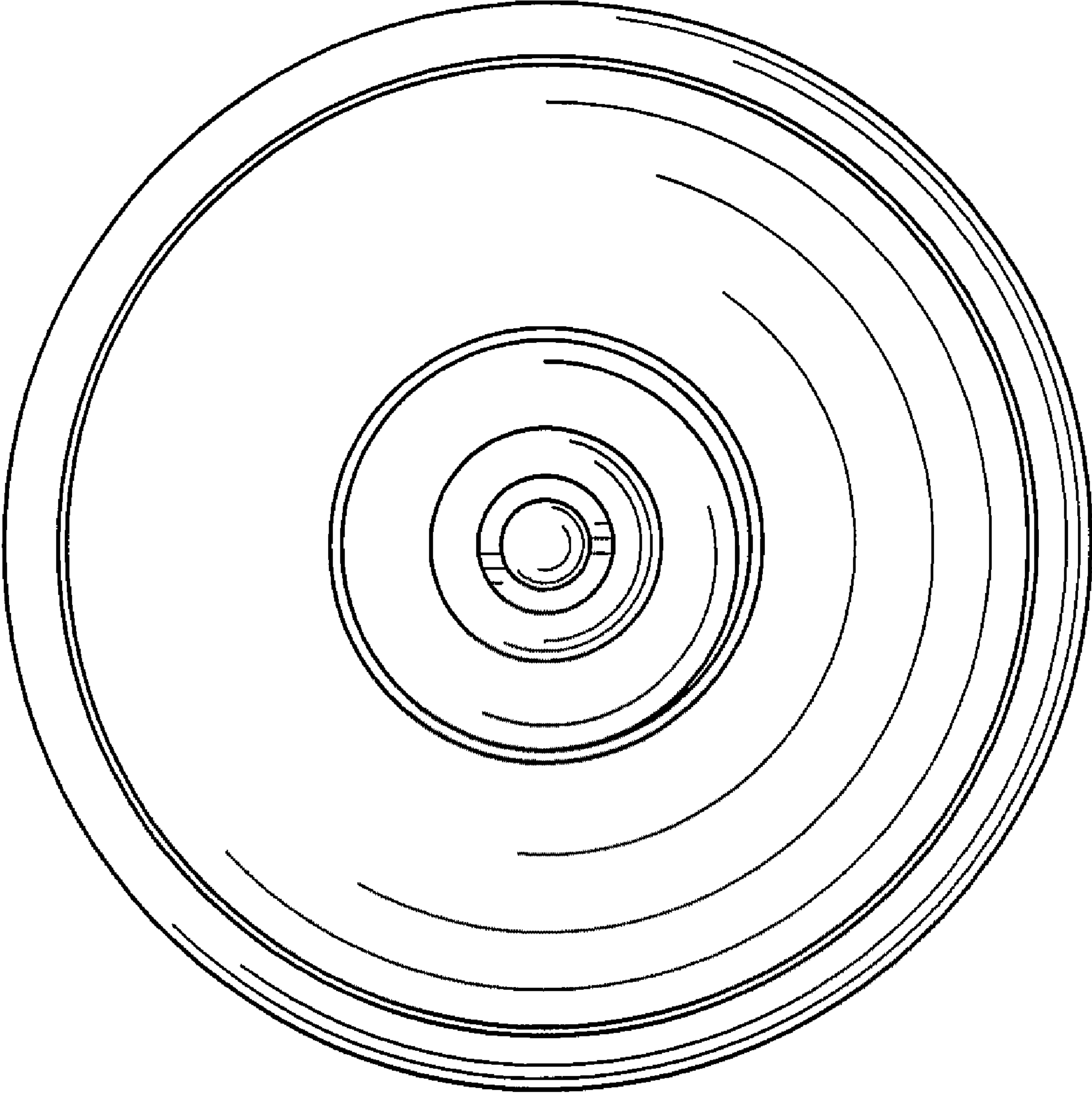


FIG. 7

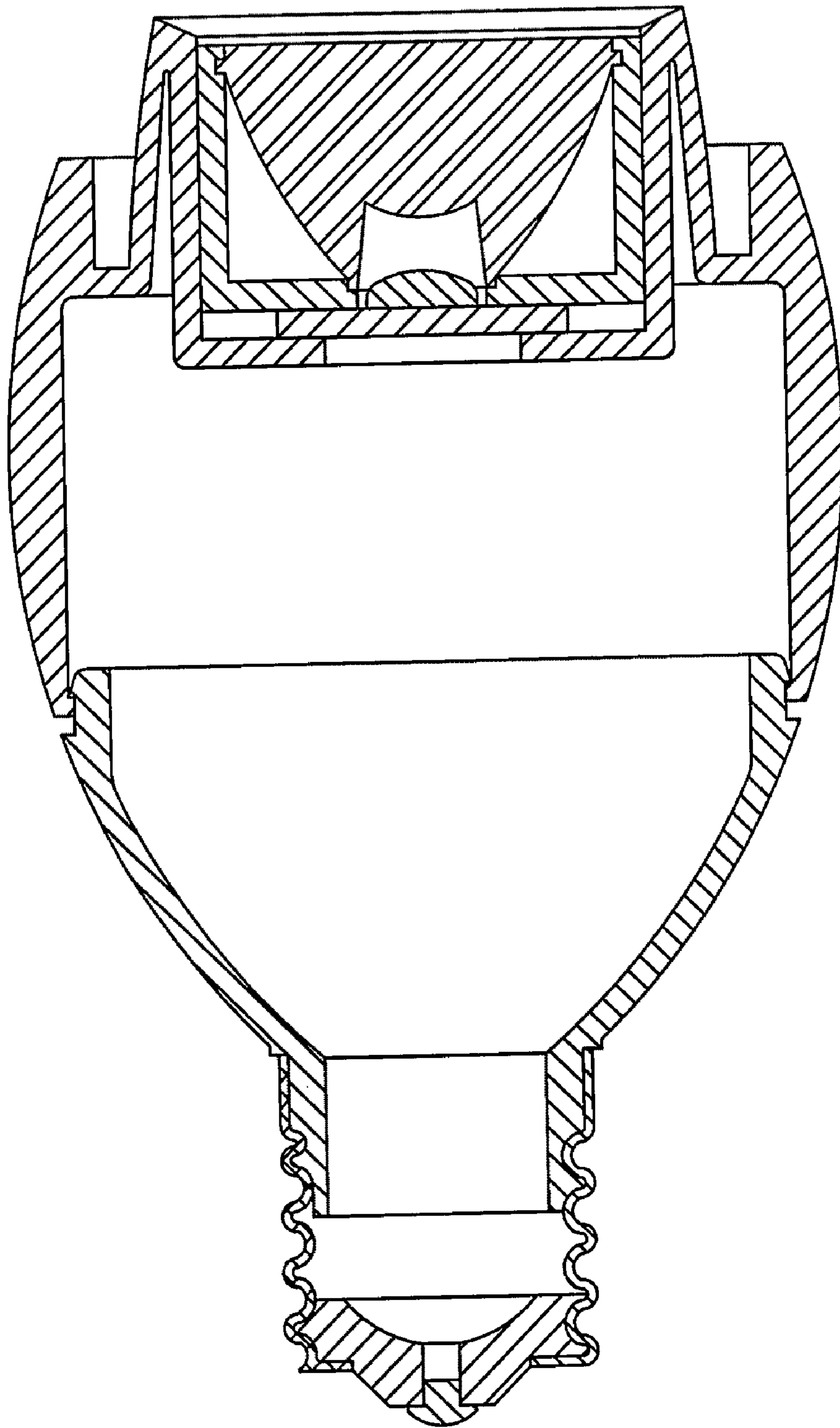


FIG. 8