



US0D1055040S

(12) **United States Design Patent**
Rubens

(10) **Patent No.:** **US D1,055,040 S**

(45) **Date of Patent:** **** Dec. 24, 2024**

(54) **HOLDER FOR ELECTRONIC EQUIPMENT**

FOREIGN PATENT DOCUMENTS

(71) Applicant: **4Movie B.V.**, Tongeren (BE)

CN 308309397 * 11/2023
CN 308353936 * 12/2023

(72) Inventor: **Jan Rubens**, Tongeren (BE)

OTHER PUBLICATIONS

(**) Term: **15 Years**

Haoge HG-Q2B Hand Grip Bracket Holder, May 30, 2019, retrieved Feb. 15, 2024, retrieved from the internet URL: < https://www.amazon.com/dp/B07SH6TNBG/ref=sspa_dk_detail_5? > (Year: 2019).
Fjorden Basic Bundle—Camera Grip for iPhone, Jan. 2, 2023, Feb. 15, 2024, retrieved from the internet URL: < https://www.amazon.com/dp/B0B9GXN6Z4/ref=sspa_dk_detail_2? > (Year: 2023).
ShiftCam SnapGrip, Jul. 20, 2022, retrieved Feb. 15, 2024, retrieved from the internet URL: < https://www.amazon.com/dp/B0B752139Y/ref=sspa_dk_detail_5? > (Year: 2022).*

(21) Appl. No.: **35/517,621**

(22) Filed: **Jun. 28, 2022**

(80) **Hague Agreement Data**

Int. Filing Date: **Jun. 28, 2022**

Int. Reg. No.: **DM/221974**

Int. Reg. Date: **Jun. 28, 2022**

Int. Reg. Pub. Date: **Jun. 30, 2023**

* cited by examiner

Primary Examiner — Janice Hallmark

Assistant Examiner — Rodolfo Castro, Jr.

(51) **LOC (14) Cl.** **14-03**

(52) **U.S. Cl.**

USPC **D14/253**

(58) **Field of Classification Search**

USPC D14/250–253, 217, 401, 425, 440, 447;
D10/74, 70; D3/218; D13/108

CPC A45C 11/00; A45C 2011/002; H04M
1/6075; H04M 1/06; H04M 1/04; H04B
1/3888

See application file for complete search history.

(57) **CLAIM**

The ornamental design for a holder for electronic equipment as shown and described.

DESCRIPTION

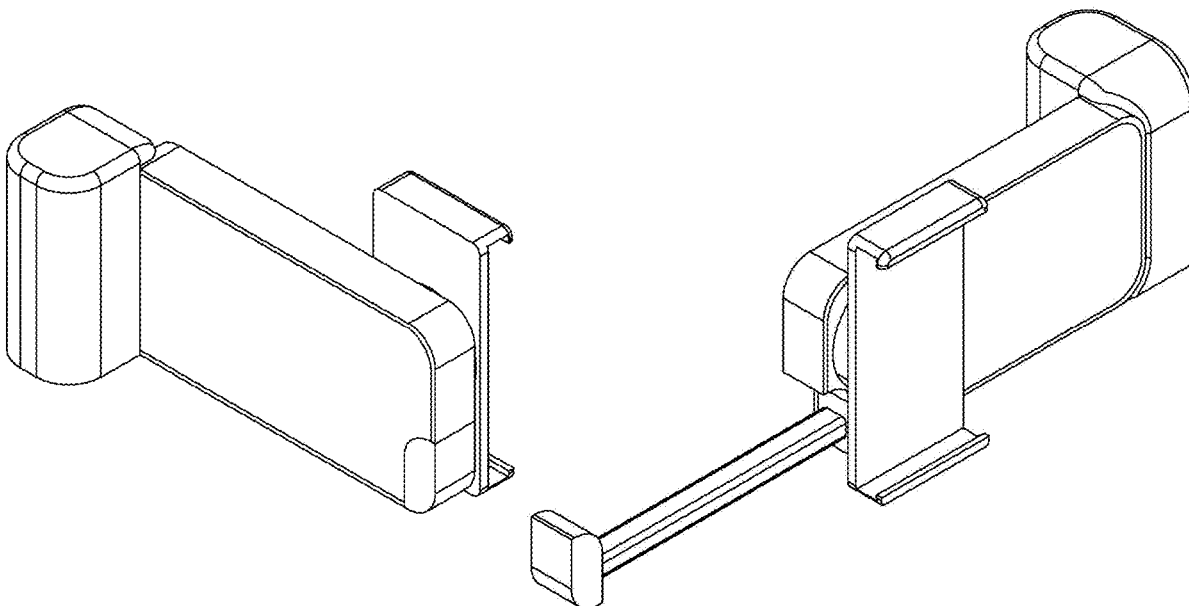
- 1.1: Front Top Perspective first position of use
 - 1.2: Front Top Perspective second position of use
 - 1.3: Front first position of use
 - 1.4: Back first position of use
 - 1.5: Left first position of use
 - 1.6: Right first position of use
 - 1.7: Top first position of use
 - 1.8: Bottom first position of use
 - 1.9: Back Top Perspective second position of use
 - 1.10: Back Bottom Perspective second position of use
- The claimed design is used to hold electronic equipment.

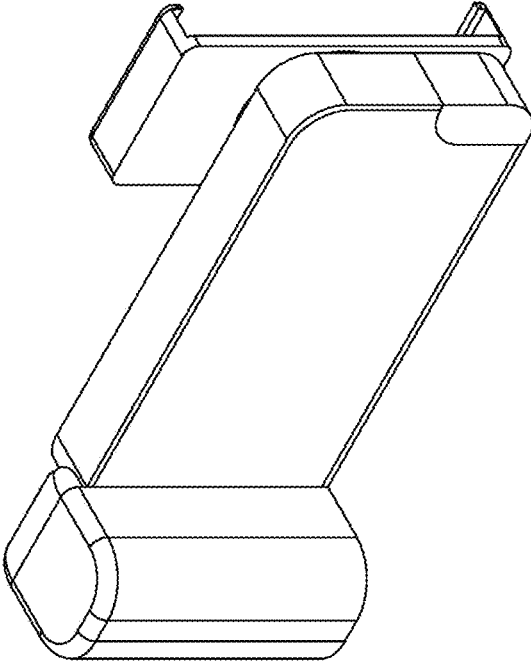
(56) **References Cited**

U.S. PATENT DOCUMENTS

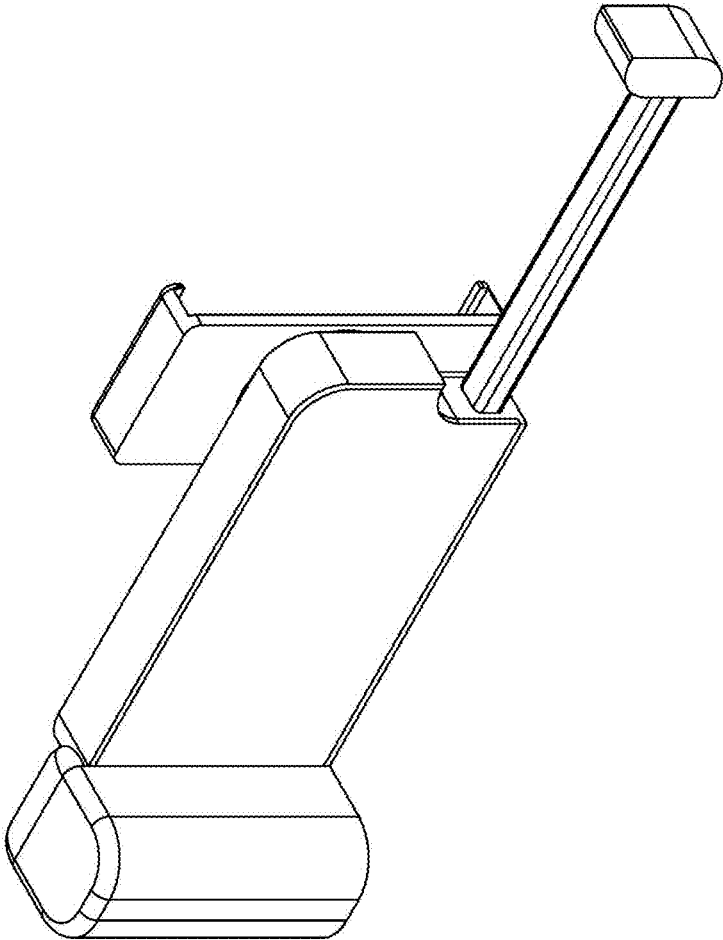
D630,163	S	*	1/2011	Yeh	D13/108
D704,183	S	*	5/2014	Guzman	D14/250
D746,804	S	*	1/2016	Nousiainen	D14/250
D762,605	S	*	8/2016	Perez	D14/253
D969,120	S	*	11/2022	Zaldivar	D14/250

1 Claim, 10 Drawing Sheets

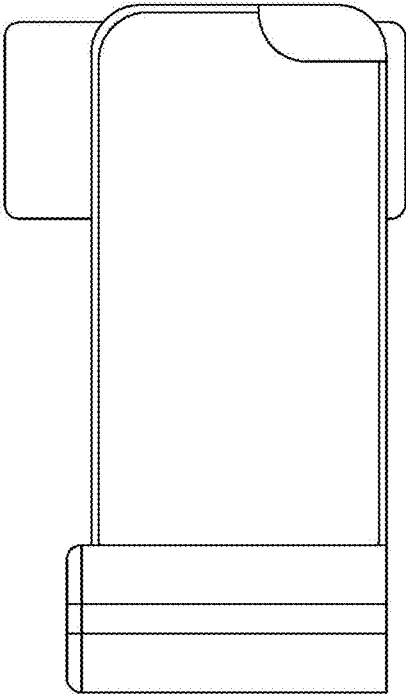




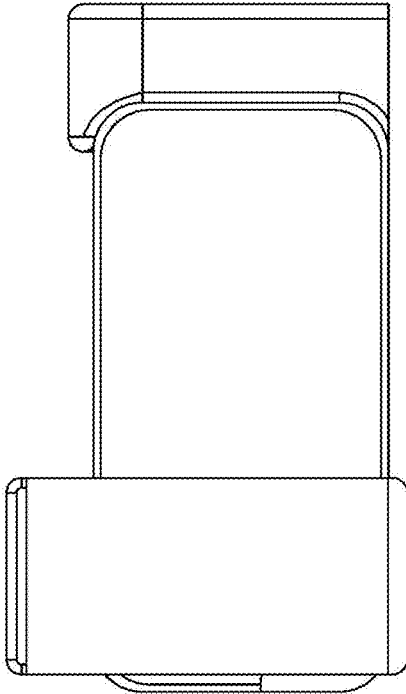
1.1



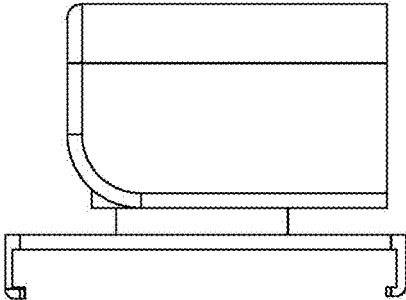
1.2



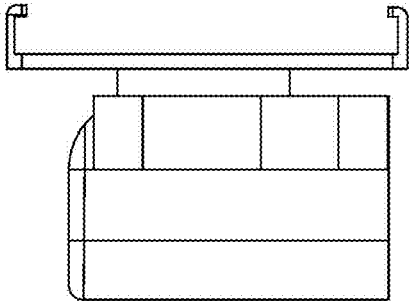
1.3



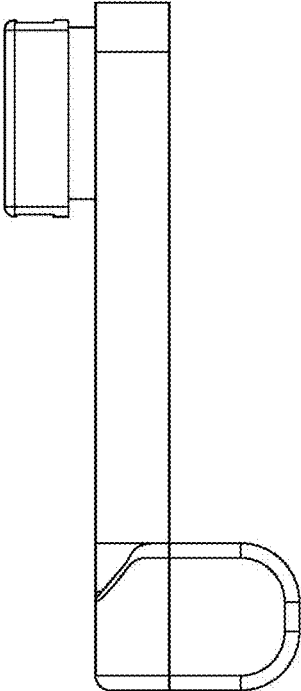
1.4



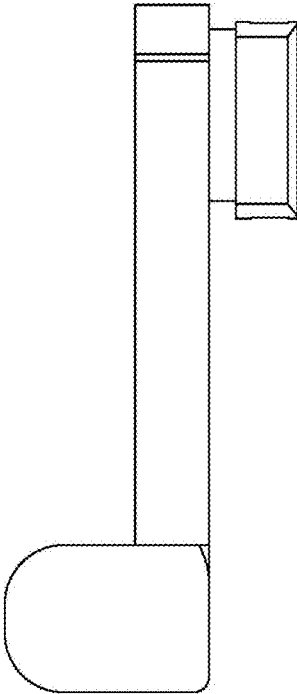
1.5



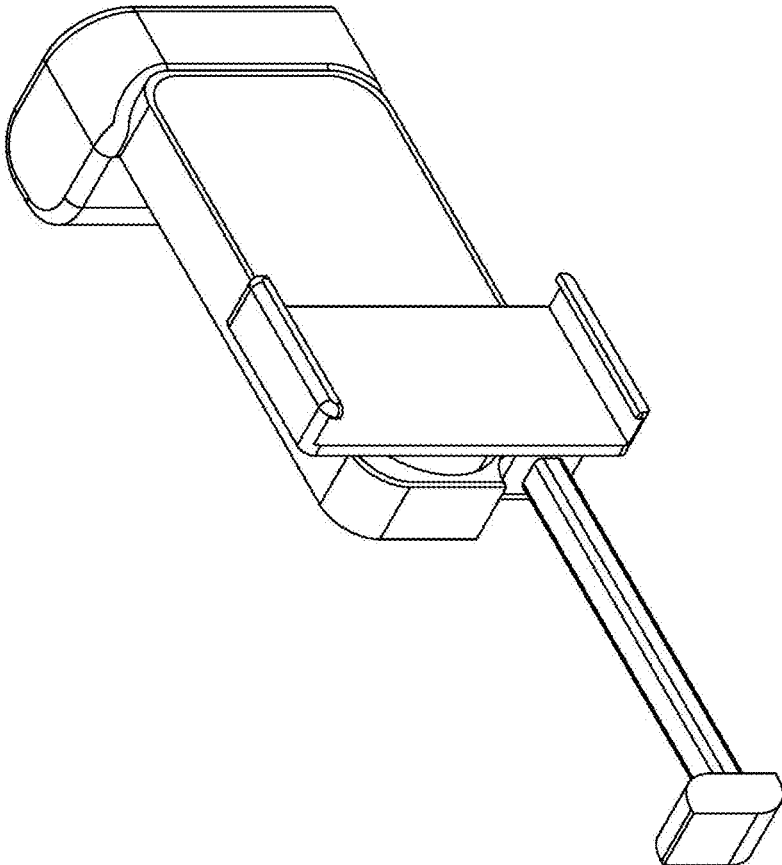
1.6



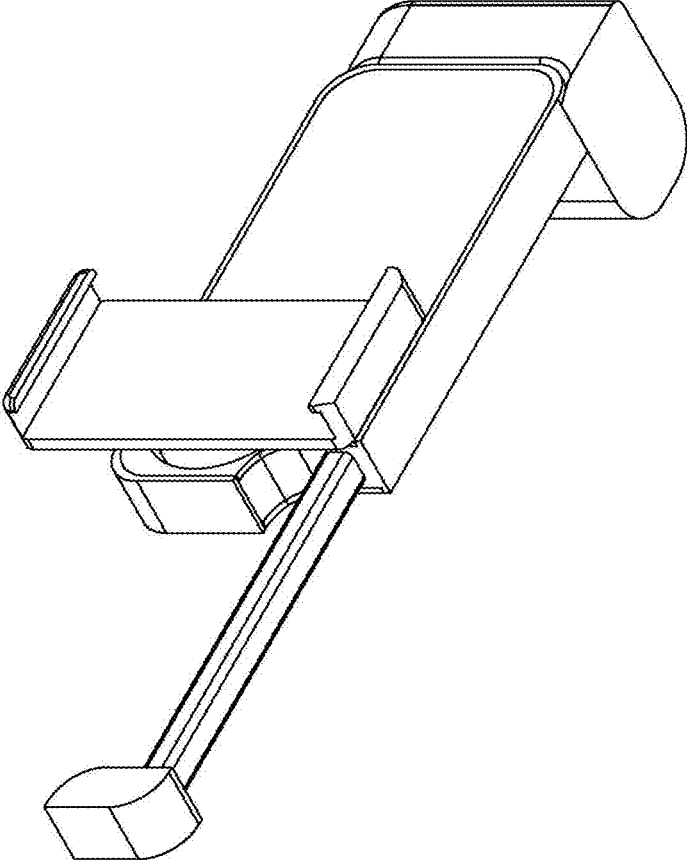
1.7



1.8



1.9



1.10