



- (51) **International Patent Classification:**
F03D 1/06 (2006.01) *B64C 11/48* (2006.01)
- (21) **International Application Number:**
PCT/DK2009/000017
- (22) **International Filing Date:**
21 January 2009 (21.01.2009)
- (25) **Filing Language:** English
- (26) **Publication Language:** English
- (30) **Priority Data:**
PA 2008 00155 5 February 2008 (05.02.2008) DK
- (71) **Applicant and**
- (72) **Inventor:** FLYTKLINT, Bjarne [DK/DK]; Sønder Allé 6, DK-9510 Arden (DK).
- (74) **Agent:** LARSEN & BIRKEHOLM A/S; Skandinavisk Patentbureau, Banegårdspladsen 1, P.O. Box 362, DK-1570 Copenhagen V (DK).
- (81) **Designated States** (unless otherwise indicated, for every kind of national protection available): AE, AG, AL, AM, AO, AT, AU, AZ, BA, BB, BG, BH, BR, BW, BY, BZ, CA, CH, CN, CO, CR, CU, CZ, DE, DK, DM, DO, DZ,

EC, EE, EG, ES, FI, GB, GD, GE, GH, GM, GT, HN, HR, HU, ID, IL, IN, IS, JP, KE, KG, KM, KN, KP, KR, KZ, LA, LC, LK, LR, LS, LT, LU, LY, MA, MD, ME, MG, MK, MN, MW, MX, MY, MZ, NA, NG, NI, NO, NZ, OM, PG, PH, PL, PT, RO, RS, RU, SC, SD, SE, SG, SK, SL, SM, ST, SV, SY, TJ, TM, TN, TR, TT, TZ, UA, UG, US, UZ, VC, VN, ZA, ZM, ZW.

(84) **Designated States** (unless otherwise indicated, for every kind of regional protection available): ARIPO (BW, GH, GM, KE, LS, MW, MZ, NA, SD, SL, SZ, TZ, UG, ZM, ZW), Eurasian (AM, AZ, BY, KG, KZ, MD, RU, TJ, TM), European (AT, BE, BG, CH, CY, CZ, DE, DK, EE, ES, FI, FR, GB, GR, HR, HU, IE, IS, IT, LT, LU, LV, MC, MK, MT, NL, NO, PL, PT, RO, SE, SI, SK, TR), OAPI (BF, BJ, CF, CG, CI, CM, GA, GN, GQ, GW, ML, MR, NE, SN, TD, TG).

Published:

- with international search report (Art. 21(3))
- before the expiration of the time limit for amending the claims and to be republished in the event of receipt of amendments (Rule 48.2(h))

(88) **Date of publication of the international search report:**
21 January 2010

(54) **Title:** A ROTOR, IN PARTICULAR FOR PROPELLERS OR WIND ENERGY SYSTEMS

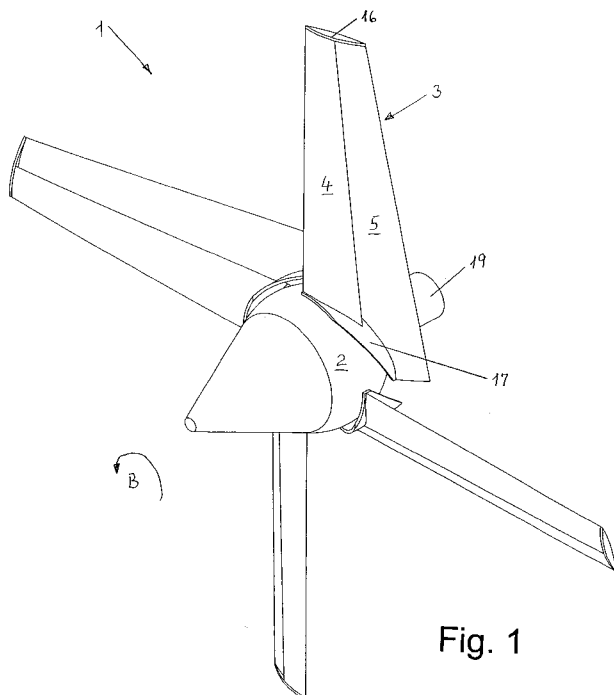


Fig. 1

(57) **Abstract:** When, according to the invention, a rotor (1) for a propeller or a windmill is equipped with two-part blades (3), which are secured to the hub (2) offset to the right of a centre line (C) through the hub, and which comprise a first blade plane (4) and a laterally offset second blade plan (5), and the blade planes are arranged in such a manner that the leading edge (7) of the first blade plane extends approximately in parallel with the centre line (C) radially outwards from the centre of the hub and forms an acute angle (A) in combination with the leading edge (8) of the second blade plane, so that the leading edge (8) is disposed behind the leading edge (7) seen in relation to the direction of rotation of the hub, and when the length of the trailing edge (10) of the second blade plane is defined by a line which extends from the centre of the hub essentially perpendicularly to the trailing edge (10) of the blade plane, and by the blade tip of the blade plane, a rotor having a high efficiency and having relatively small dimensions is achieved.



INTERNATIONAL SEARCH REPORT

International application No
PCT/DK2009/000017

A. CLASSIFICATION OF SUBJECT MATTER
INV. F03D1/06 B64C11/48

According to International Patent Classification (IPC) or to both national classification and IPC

B. FIELDS SEARCHED

Minimum documentation searched (classification system followed by classification symbols)
F03D B64C

Documentation searched other than minimum documentation to the extent that such documents are included in the fields searched

Electronic data base consulted during the international search (name of data base and, where practical, search terms used)
EPO-Internal

C. DOCUMENTS CONSIDERED TO BE RELEVANT

Category*	Citation of document, with indication, where appropriate, of the relevant passages	Relevant to claim No.
A	US 3 032 119 A (HANS HACHMANN) 1 May 1962 (1962-05-01) the whole document	1-8
A	DE 41 34 062 A1 (SCHULZ DIETER [DE]) 2 April 1992 (1992-04-02) the whole document	1-8
A	EP 0 295 353 A (KHAMMAS AHMAD [DE]) 21 December 1988 (1988-12-21) the whole document	1-8
A	EP 0 064 742 A (FICHT GMBH [DE]) 17 November 1982 (1982-11-17) the whole document	1-8

Further documents are listed in the continuation of Box C. See patent family annex.

* Special categories of cited documents :

A document defining the general state of the art which is not considered to be of particular relevance	*T* later document published after the international filing date or priority date and not in conflict with the application but cited to understand the principle or theory underlying the invention
E earlier document but published on or after the international filing date	*X* document of particular relevance; the claimed invention cannot be considered novel or cannot be considered to involve an inventive step when the document is taken alone
L document which may throw doubts on priority claim(s) or which is cited to establish the publication date of another citation or other special reason (as specified)	*Y* document of particular relevance; the claimed invention cannot be considered to involve an inventive step when the document is combined with one or more other such documents, such combination being obvious to a person skilled in the art.
O document referring to an oral disclosure, use, exhibition or other means	* & * document member of the same patent family
P document published prior to the international filing date but later than the priority date claimed	

Date of the actual completion of the international search 24 November 2009	Date of mailing of the international search report 03/12/2009
---	--

Name and mailing address of the ISA/ European Patent Office, P.B. 5818 Patentlaan 2 NL - 2280 HV Rijswijk Tel. (+31-70) 340-2040, Fax: (+31-70) 340-3016	Authorized officer Giorgini, Gabriele
--	--

INTERNATIONAL SEARCH REPORT

Information on patent family members

International application No

PCT/DK2009/000017

Patent document cited in search report		Publication date	Patent family member(s)	Publication date
US 3032119	A	01-05-1962	NONE	
DE 4134062	A1	02-04-1992	NONE	
EP 0295353	A	21-12-1988	DE 3769471 D1 DE 8714447 U1	23-05-1991 10-03-1988
EP 0064742	A	17-11-1982	DE 3117995 A1	25-11-1982