



(43) International Publication Date  
18 December 2014 (18.12.2014)

- (51) International Patent Classification:  
*B63B 1/06* (2006.01) *B63B 1/38* (2006.01)
- (21) International Application Number:  
PCT/GB2014/051794
- (22) International Filing Date:  
11 June 2014 (11.06.2014)
- (25) Filing Language: English
- (26) Publication Language: English
- (30) Priority Data:  
1310337.9 11 June 2013 (11.06.2013) GB
- (71) Applicant (for all designated States except MG): **XO-COATL LIMITED**; The Chimes, La Grande Lande, St Saviours, Guernsey GY7 9YY (GB).
- (72) Inventor; and  
(71) Applicant (for MG only): **FALLA, Nicholas** [GB/—]; The Chimes, La Grande Lande, St Saviours, Guernsey, GY7 9YY (GB).
- (74) Agents: **CARTER, Stephen** et al.; Mewburn Ellis LLP, 33 Gutter Lane, London, Greater London, EC2V 8AS (GB).
- (81) Designated States (unless otherwise indicated, for every kind of national protection available): AE, AG, AL, AM, AO, AT, AU, AZ, BA, BB, BG, BH, BN, BR, BW, BY, BZ, CA, CH, CL, CN, CO, CR, CU, CZ, DE, DK, DM,

DO, DZ, EC, EE, EG, ES, FI, GB, GD, GE, GH, GM, GT, HN, HR, HU, ID, IL, IN, IR, IS, JP, KE, KG, KN, KP, KR, KZ, LA, LC, LK, LR, LS, LT, LU, LY, MA, MD, ME, MG, MK, MN, MW, MX, MY, MZ, NA, NG, NI, NO, NZ, OM, PA, PE, PG, PH, PL, PT, QA, RO, RS, RU, RW, SA, SC, SD, SE, SG, SK, SL, SM, ST, SV, SY, TH, TJ, TM, TN, TR, TT, TZ, UA, UG, US, UZ, VC, VN, ZA, ZM, ZW.

(84) Designated States (unless otherwise indicated, for every kind of regional protection available): ARIPO (BW, GH, GM, KE, LR, LS, MW, MZ, NA, RW, SD, SL, SZ, TZ, UG, ZM, ZW), Eurasian (AM, AZ, BY, KG, KZ, RU, TJ, TM), European (AL, AT, BE, BG, CH, CY, CZ, DE, DK, EE, ES, FI, FR, GB, GR, HR, HU, IE, IS, IT, LT, LU, LV, MC, MK, MT, NL, NO, PL, PT, RO, RS, SE, SI, SK, SM, TR), OAPI (BF, BJ, CF, CG, CI, CM, GA, GN, GQ, GW, KM, ML, MR, NE, SN, TD, TG).

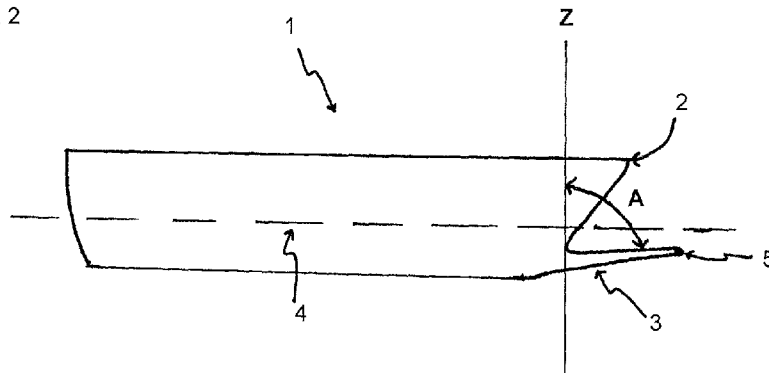
**Published:**

- with international search report (Art. 21(3))
- before the expiration of the time limit for amending the claims and to be republished in the event of receipt of amendments (Rule 48.2(h))

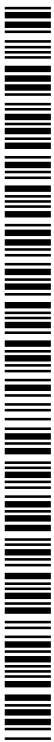
(88) Date of publication of the international search report:  
2 April 2015

(54) Title: WATERCRAFT HULL

FIGURE 2



(57) Abstract: The present invention relates to watercraft hulls which, in use, are able to expel gas into water surrounding the hull to affect the hull's hydrodynamics. In a first aspect, the invention provides a hull (1), comprising a bow (2) and an elongate projection (3) projecting from the bow, wherein the elongate projection has at least one gas outlet (5) for expelling gas ahead of the bow below the waterline (4) during use. Also provided are vessels incorporating such hulls, moulds for making such hulls, and gas-expelling apparatus.



**INTERNATIONAL SEARCH REPORT**

International application No  
PCT/GB2014/051794

**A. CLASSIFICATION OF SUBJECT MATTER**  
 INV. B63B1/06 B63B1/38  
 ADD.  
 According to International Patent Classification (IPC) or to both national classification and IPC

**B. FIELDS SEARCHED**  
 Minimum documentation searched (classification system followed by classification symbols)  
 B63B  
 Documentation searched other than minimum documentation to the extent that such documents are included in the fields searched

Electronic data base consulted during the international search (name of data base and, where practicable, search terms used)  
 EPO-Internal, WPI Data

**C. DOCUMENTS CONSIDERED TO BE RELEVANT**

Category*	Citation of document, with indication, where appropriate, of the relevant passages	Relevant to claim No.
X	US 1 822 223 A (RUDOLF KLINGER JOHANN) 8 September 1931 (1931-09-08)	1-44, 46-50
Y	page 1, line 47 - page 3, line 73; figures 7,8	45,51-53
Y	----- DE 28 00 151 A1 (SCHMITT PETER) 12 July 1979 (1979-07-12)	45,51-53
A	page 2; figure 1 -----	1-44, 46-50

Further documents are listed in the continuation of Box C.       See patent family annex.

\* Special categories of cited documents :

"A" document defining the general state of the art which is not considered to be of particular relevance	"T" later document published after the international filing date or priority date and not in conflict with the application but cited to understand the principle or theory underlying the invention
"E" earlier application or patent but published on or after the international filing date	"X" document of particular relevance; the claimed invention cannot be considered novel or cannot be considered to involve an inventive step when the document is taken alone
"L" document which may throw doubts on priority claim(s) or which is cited to establish the publication date of another citation or other special reason (as specified)	"Y" document of particular relevance; the claimed invention cannot be considered to involve an inventive step when the document is combined with one or more other such documents, such combination being obvious to a person skilled in the art
"O" document referring to an oral disclosure, use, exhibition or other means	"&" document member of the same patent family
"P" document published prior to the international filing date but later than the priority date claimed	

Date of the actual completion of the international search  10 February 2015	Date of mailing of the international search report  19/02/2015
---	--

Name and mailing address of the ISA/ European Patent Office, P.B. 5818 Patentlaan 2 NL - 2280 HV Rijswijk Tel. (+31-70) 340-2040, Fax: (+31-70) 340-3016	Authorized officer  Martínez, Felipe
--	--

# INTERNATIONAL SEARCH REPORT

Information on patent family members

International application No

PCT/GB2014/051794

Patent document cited in search report	Publication date	Patent family member(s)	Publication date
US 1822223	A	NONE	
-----			
DE 2800151	A1	NONE	
-----			