



US00D375149S

# United States Patent [19]

[11] Patent Number: **Des. 375,149**

**Robbins**

[45] Date of Patent: **\*\*Oct. 29, 1996**

[54] **PLUMBING SPOUT**

[75] Inventor: **Tom E. Robbins**, San Leandro, Calif.

[73] Assignee: **Kallista, Inc.**, San Leandro, Calif.

[\*\*] Term: **14 Years**

[21] Appl. No.: **38,033**

[22] Filed: **Apr. 26, 1995**

[52] **U.S. Cl.** ..... **D23/257**

[58] **Field of Search** ..... D23/238-243,  
D23/250-257; 4/675-678; 137/801

### [56] **References Cited**

#### U.S. PATENT DOCUMENTS

D. 235,099	5/1975	Doman	.....	D23/257
D. 263,991	4/1982	Fleischmann et al.	.....	D23/257
D. 287,272	12/1986	Piesco	.....	D23/257
D. 314,813	2/1991	Jans	.....	D23/257
D. 322,841	12/1991	Kohler, Jr. et al.	.....	D23/255
D. 342,308	12/1993	McKeone	.....	D23/257
D. 361,624	8/1995	Robin	.....	D23/257

#### OTHER PUBLICATIONS

Undated Kallistra ad showing Athos Select faucets, admitted prior art.

Undated Kohler ad showing Coralais faucets (items D and E), admitted prior art.

*Primary Examiner*—Louis S. Zarfes  
*Assistant Examiner*—Eric Watterson  
*Attorney, Agent, or Firm*—Quarles & Brady

### [57] **CLAIM**

The ornamental design for a plumbing spout, as shown and described.

### **DESCRIPTION**

FIG. 1 is a right, top, frontal perspective view of a plumbing spout embodying my new design;

FIG. 2 is a right side elevational view thereof, the left side elevational view being the mirror image of the right side shown;

FIG. 3 is a front elevational view thereof;

FIG. 4 is a rear elevational view thereof;

FIG. 5 is a top plan view thereof;

FIG. 6 is a bottom plan view thereof;

FIG. 7 is a right, top, frontal perspective view of a second embodiment thereof having top and bottom plan views identical to the top and bottom plan views of the first embodiment shown in FIGS. 5 and 6;

FIG. 8 is a right side elevational view thereof, the left side elevational view being the mirror image of the right side shown;

FIG. 9 is a front elevational view thereof; and,

FIG. 10 is a rear elevational view thereof.

**1 Claim, 6 Drawing Sheets**

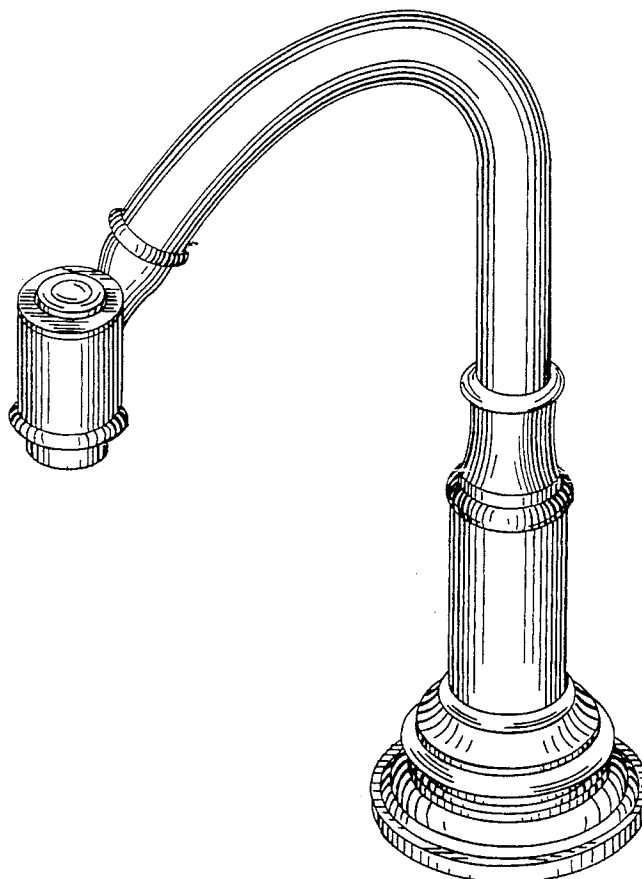
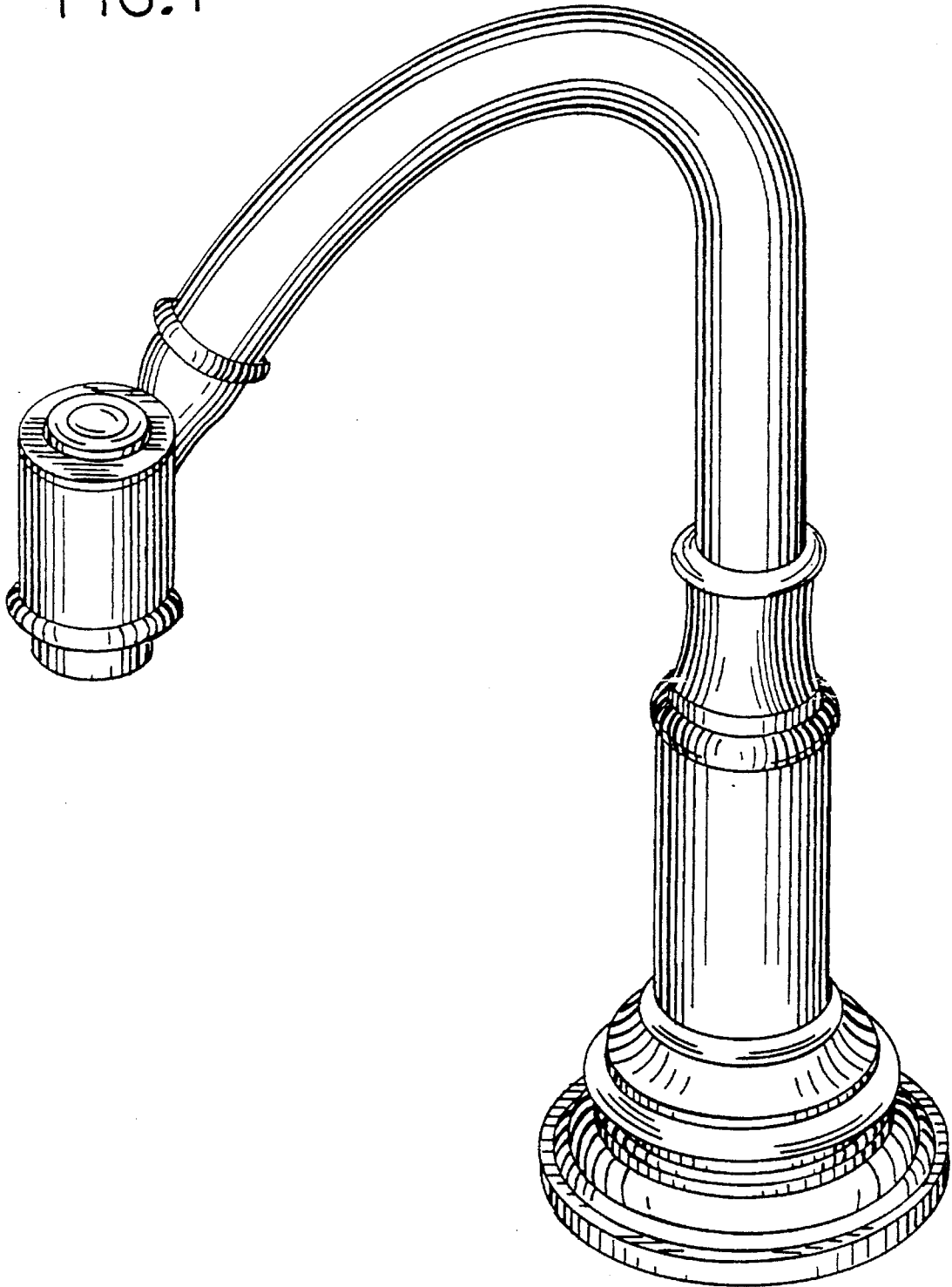


FIG. 1



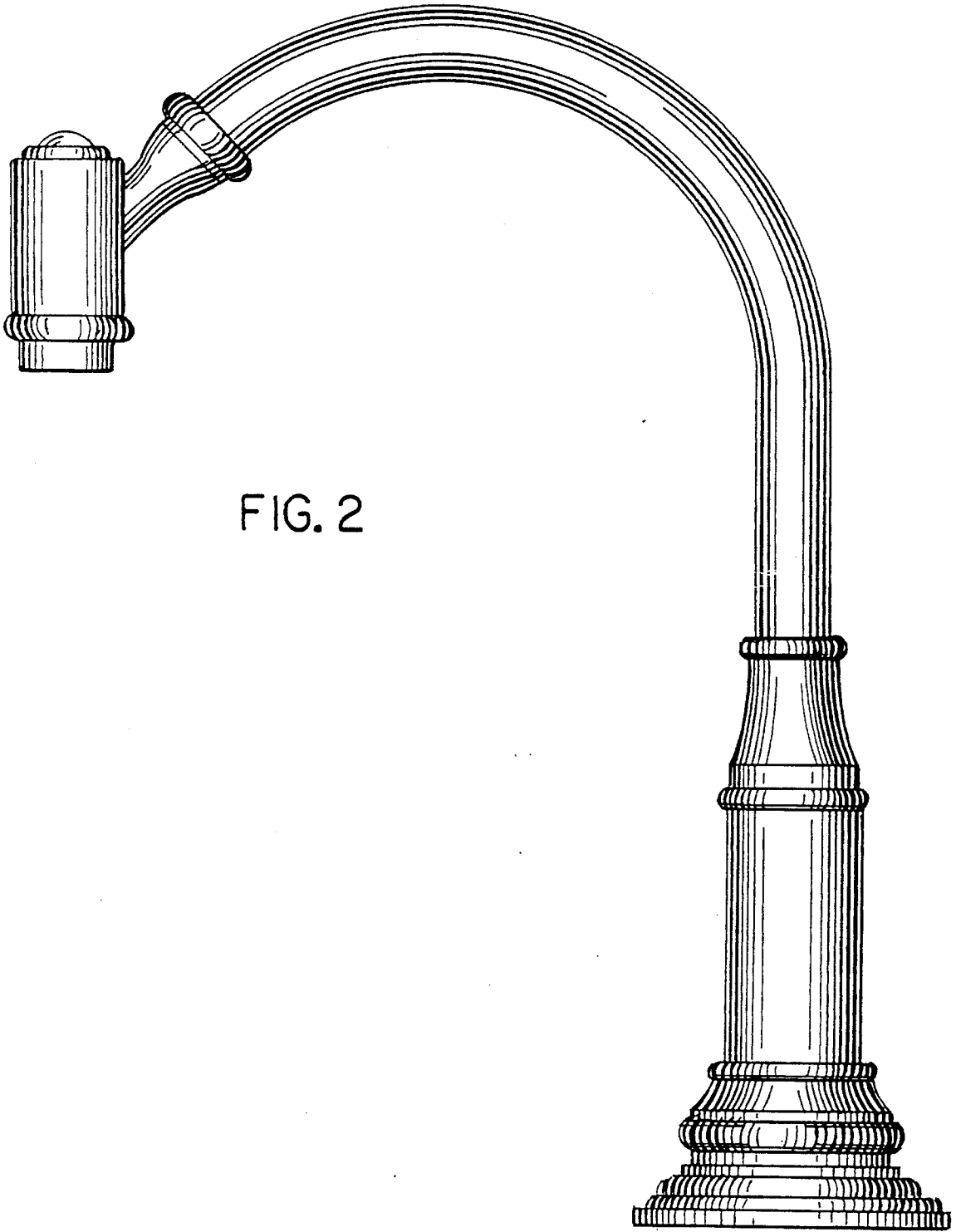


FIG. 2

FIG. 3

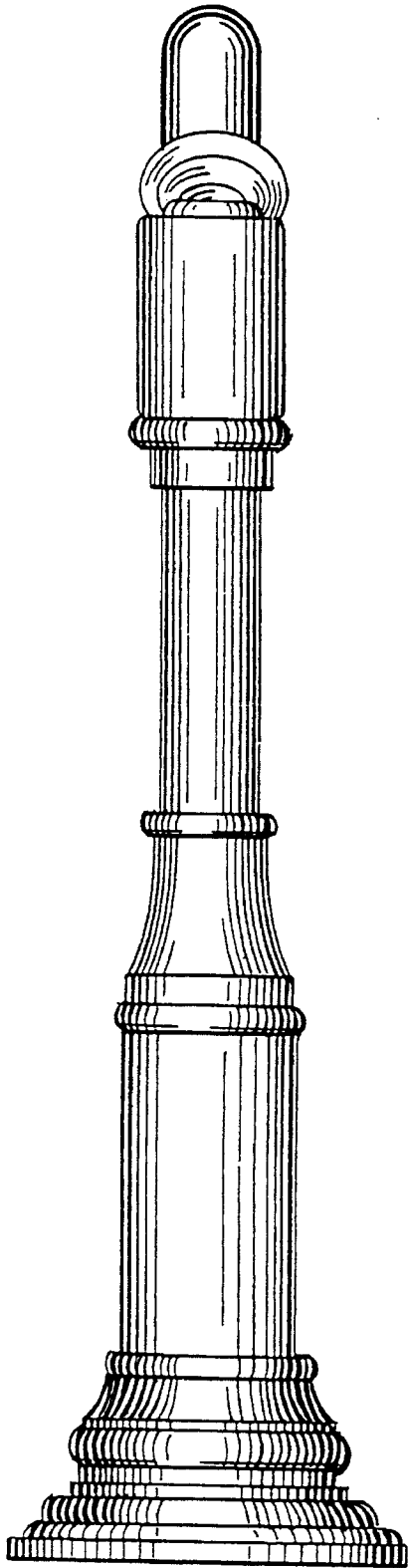
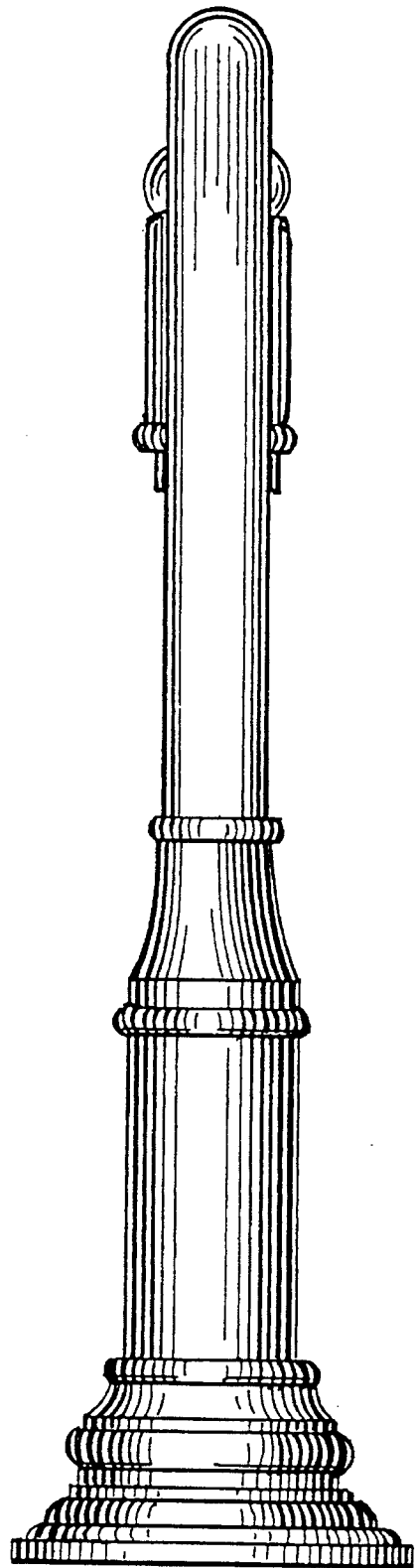


FIG. 4



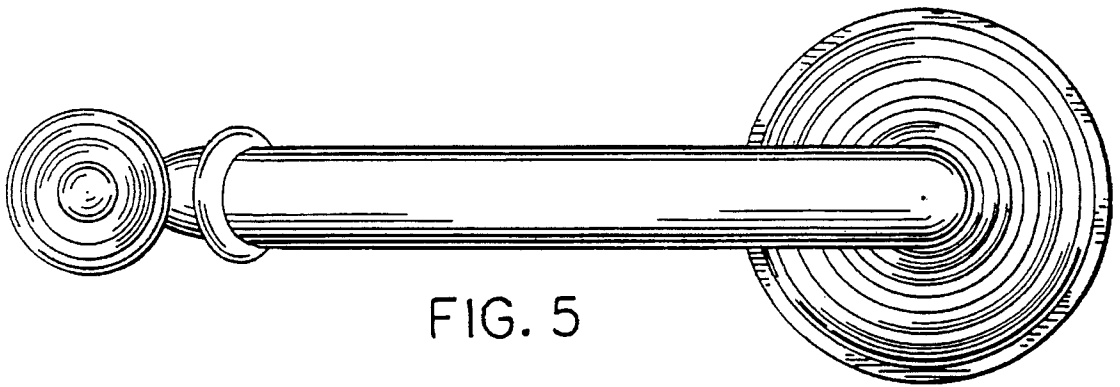


FIG. 5

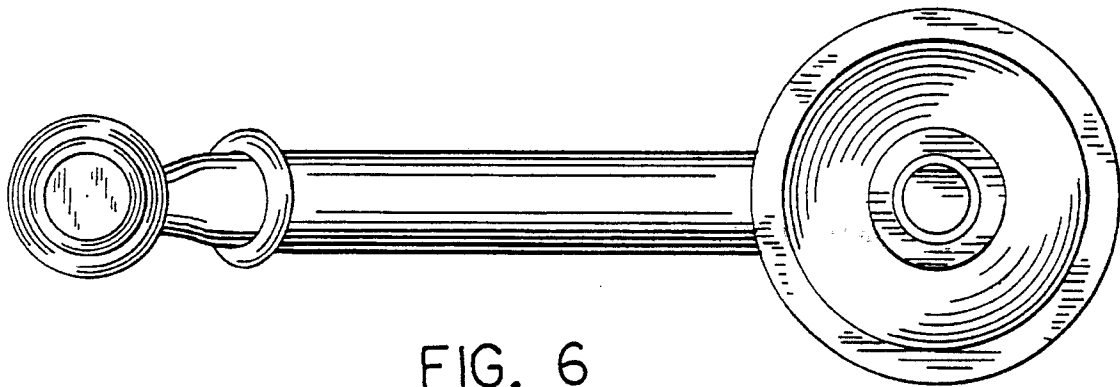
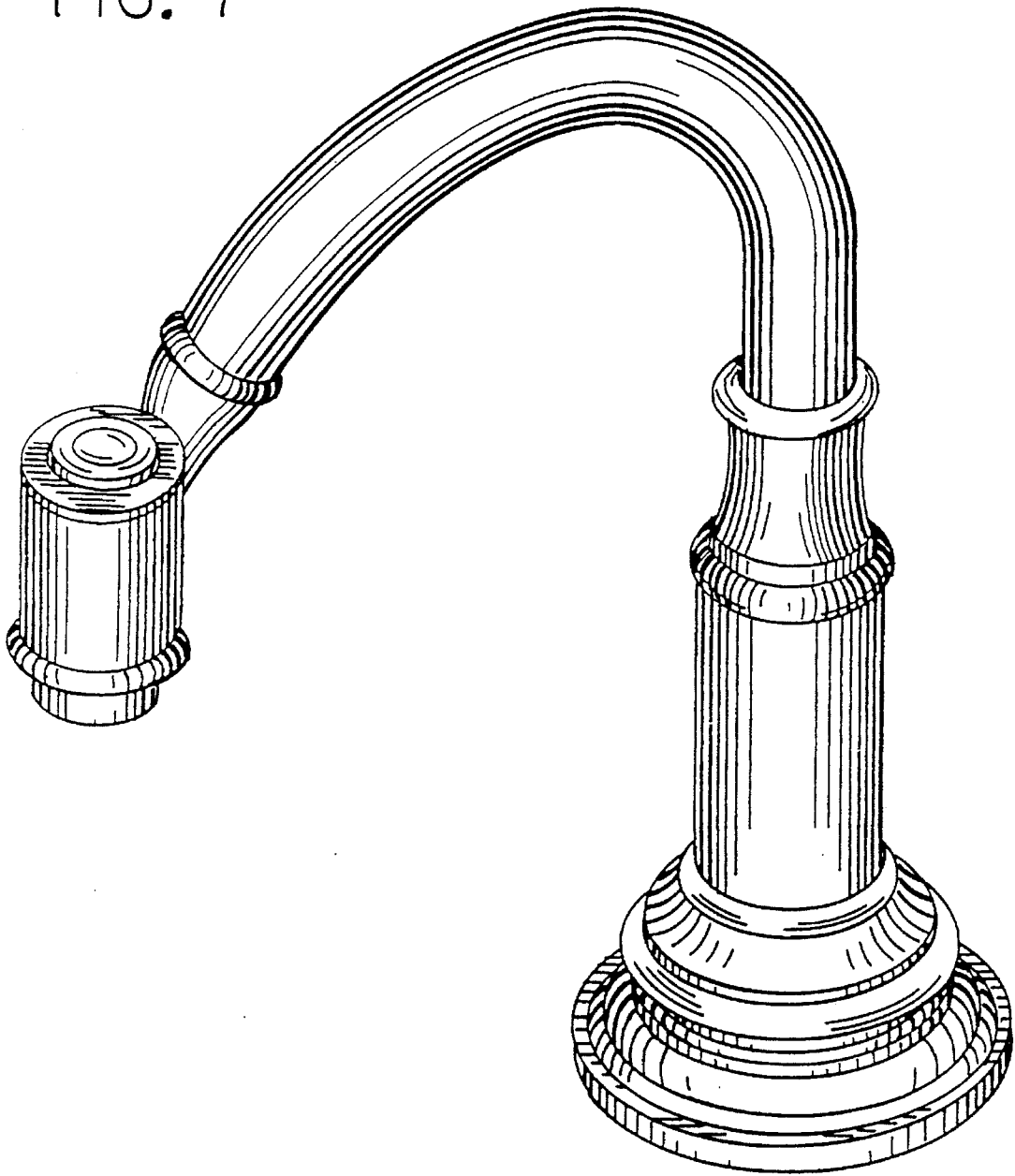


FIG. 6

FIG. 7



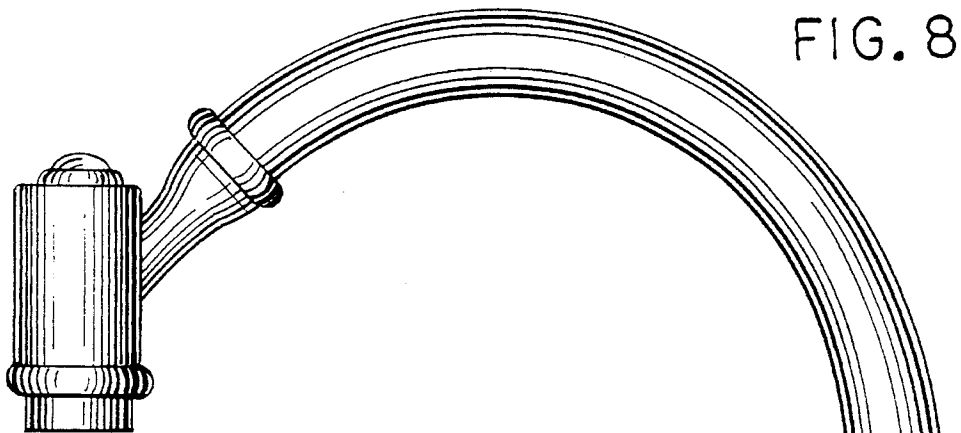


FIG. 8

FIG. 9

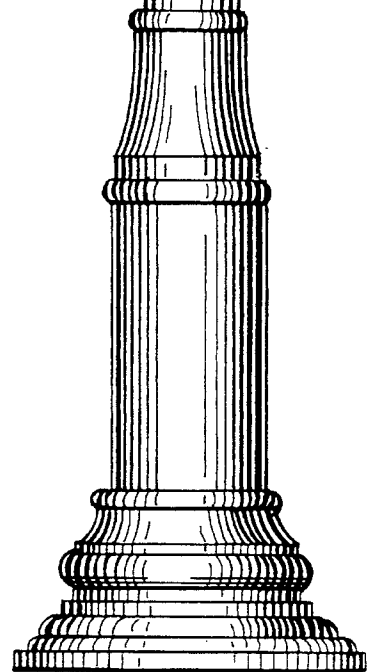
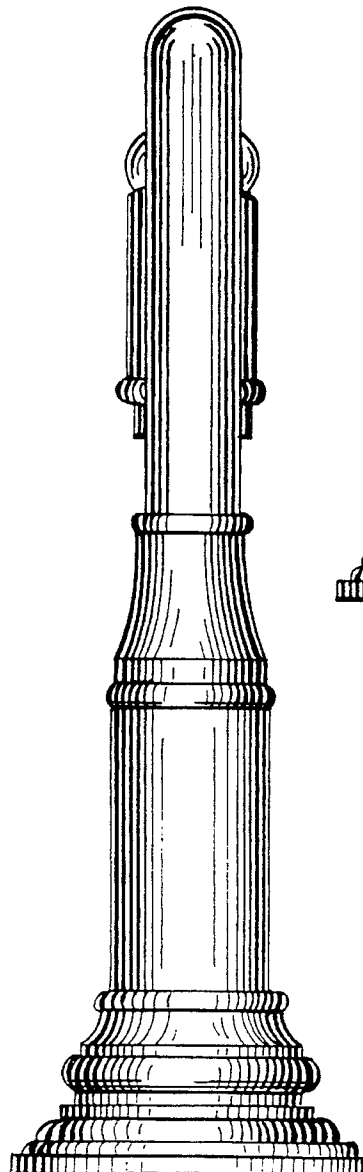
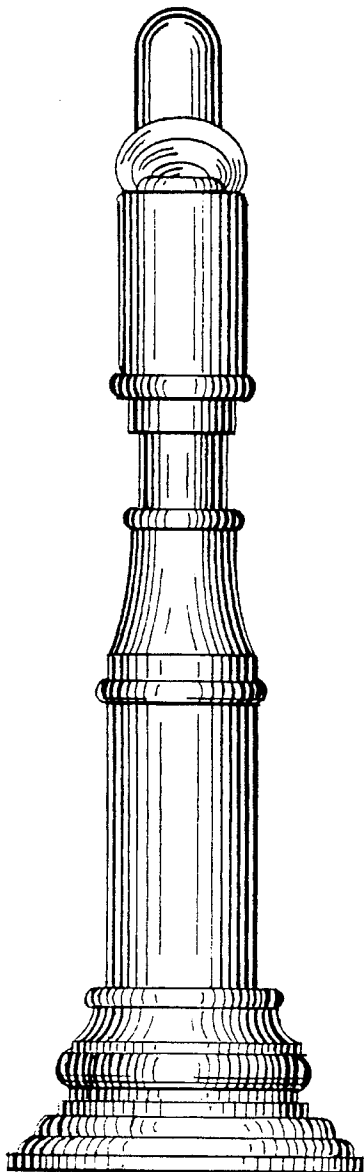


FIG. 10