



US00D746160S

(12) **United States Design Patent**
Vornbäumen

(10) **Patent No.:** **US D746,160 S**

(45) **Date of Patent:** **** Dec. 29, 2015**

(54) **TEST INSTRUMENT**

4,620,263 A * 10/1986 Ito 361/690
4,769,557 A * 9/1988 Houf et al. 307/147

(71) Applicant: **Dräger Safety AG & Co. KGaA**,
Lübeck (DE)

* cited by examiner

(72) Inventor: **Gero Vornbäumen**, Lübeck (DE)

Primary Examiner — Antoine D Davis

(73) Assignee: **Dräger Safety AG & Co. KGaA**,
Lübeck (DE)

(74) *Attorney, Agent, or Firm* — McGlew and Tuttle, P.C.

(**) Term: **14 Years**

(21) Appl. No.: **29/509,210**

(22) Filed: **Nov. 14, 2014**

(57) **CLAIM**

The ornamental design for a test instrument, as shown and described.

(30) **Foreign Application Priority Data**

May 14, 2014 (EM) 002463802-0001

(51) **LOC (10) Cl.** **10-04**

(52) **U.S. Cl.**
USPC **D10/49**

(58) **Field of Classification Search**
USPC D10/46, 49
CPC .. H05K 7/00-7/2099; Y10S 388/907-388/923
See application file for complete search history.

(56) **References Cited**

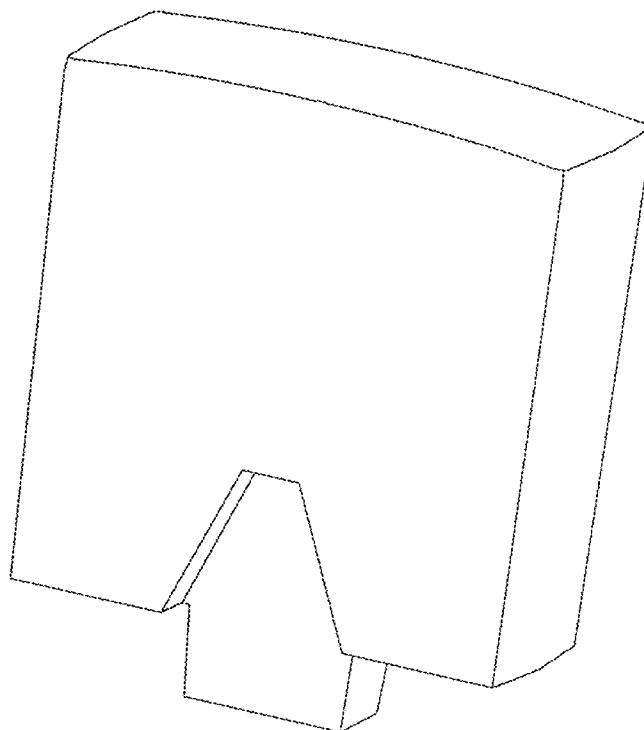
U.S. PATENT DOCUMENTS

4,600,968 A * 7/1986 Sekiya et al. 361/730

DESCRIPTION

FIG. 1 is a perspective view of the test instrument;
FIG. 2 is back side view thereof;
FIG. 3 is bottom view thereof, wherein the feature shown in broken line forms no part of the claimed design;
FIG. 4 is front side view thereof;
FIG. 5 is left side view thereof;
FIG. 6 is right side view thereof; and,
FIG. 7 is top view thereof.

1 Claim, 7 Drawing Sheets



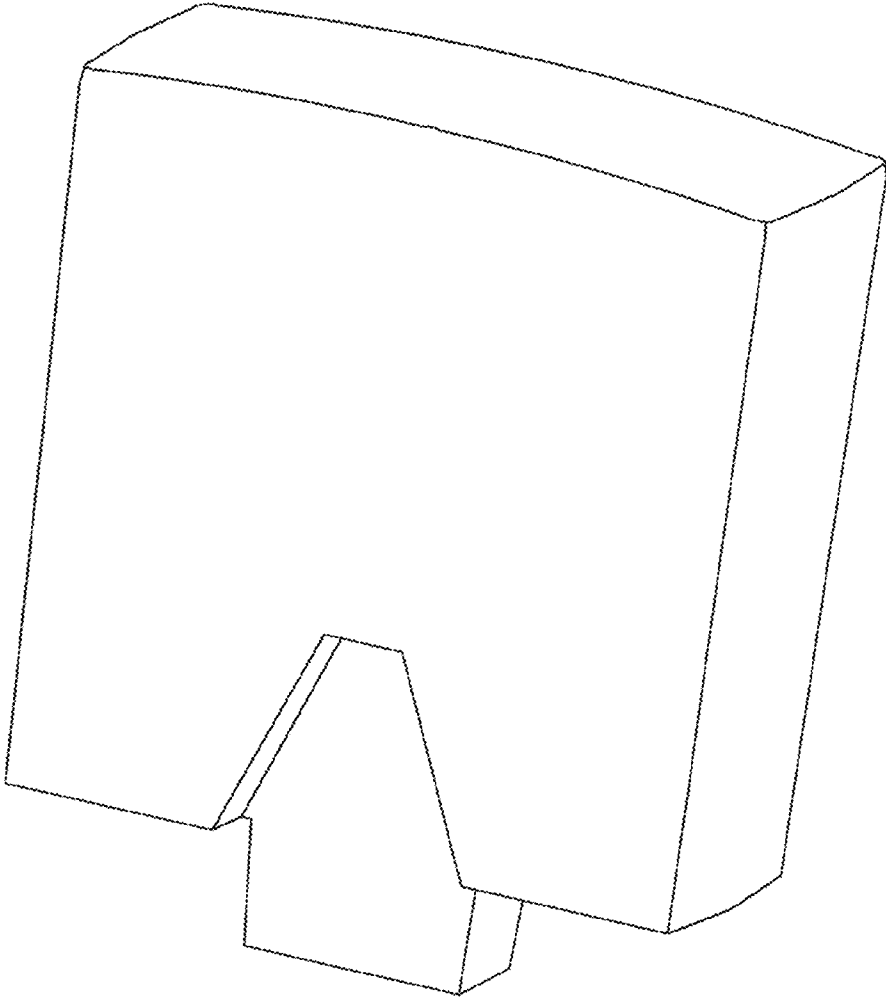


Fig. 1

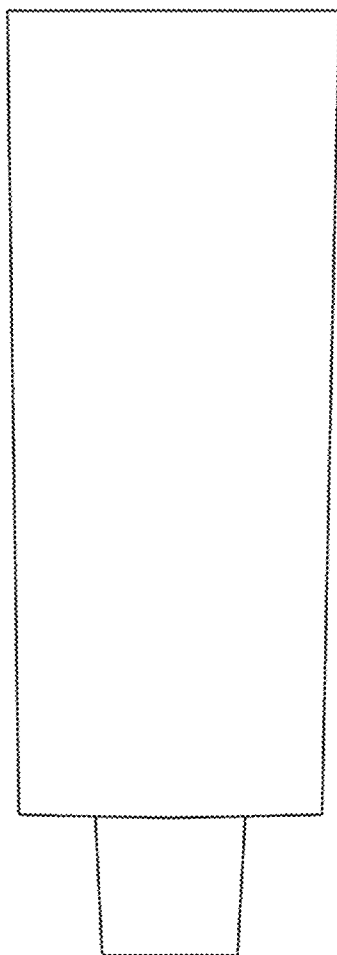


Fig. 2

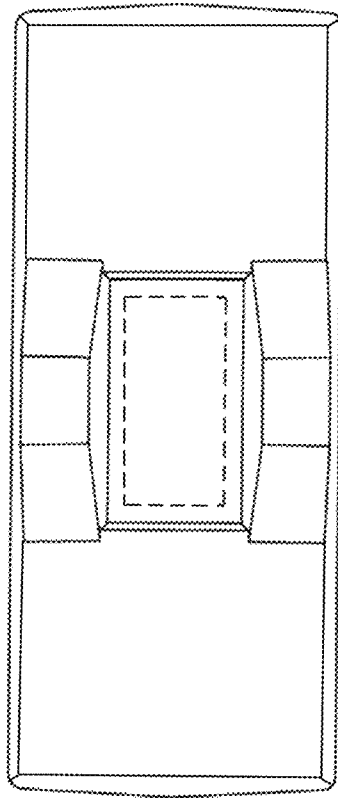


Fig. 3

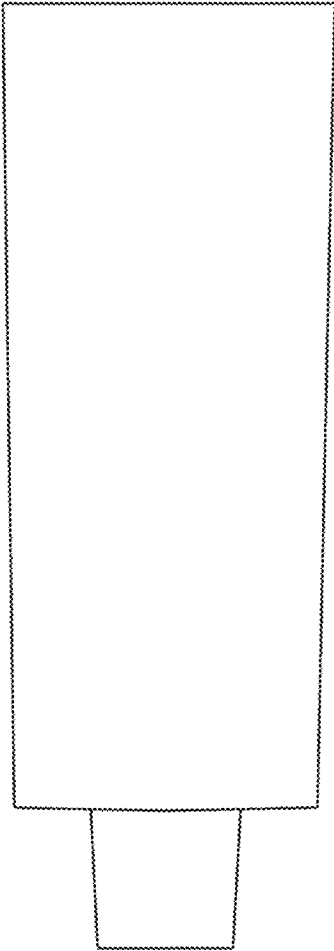


Fig. 4

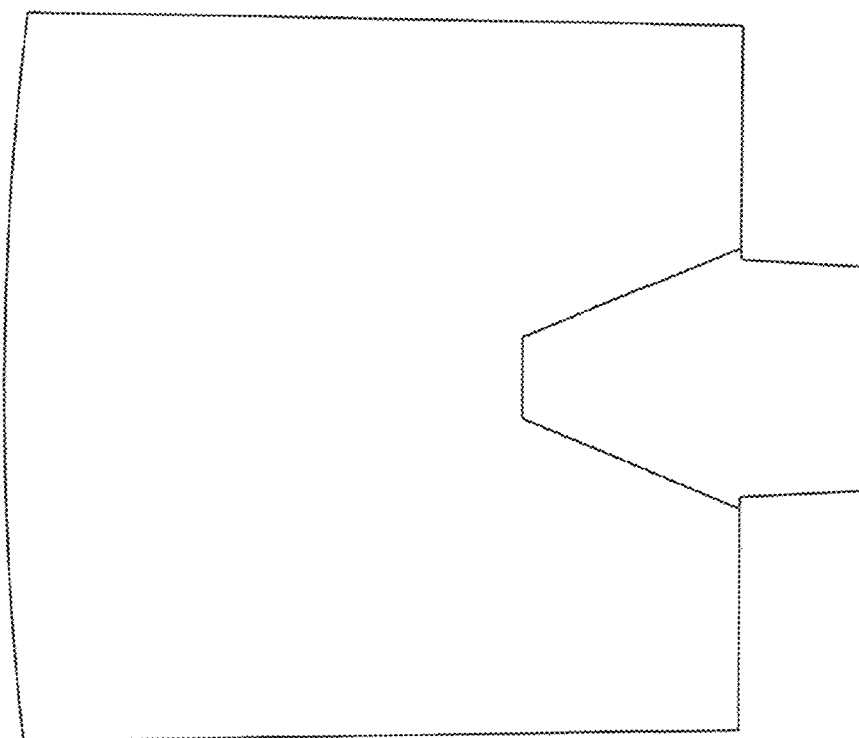


Fig. 5

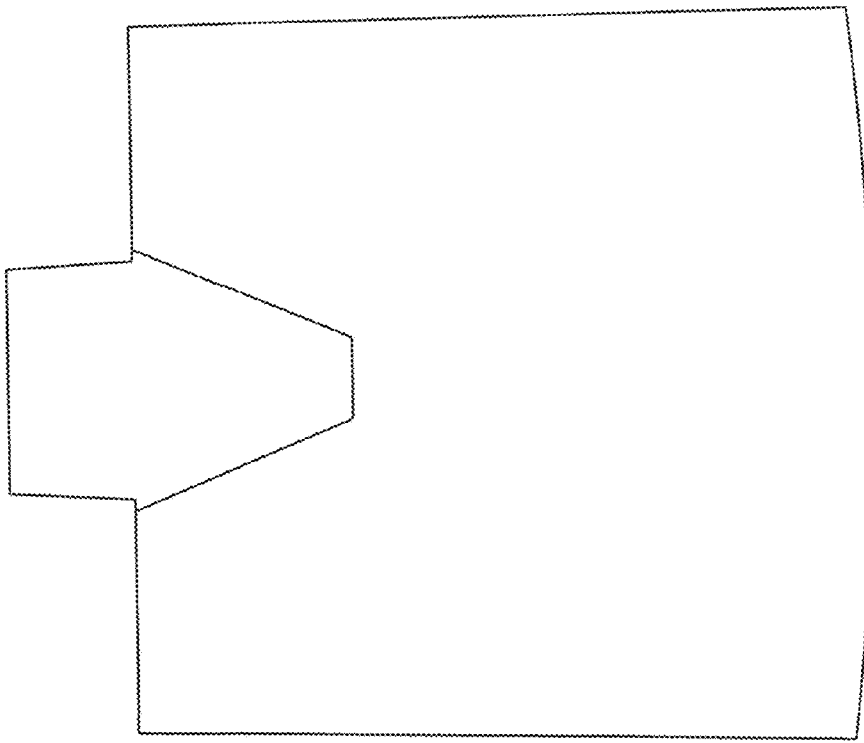


Fig. 6

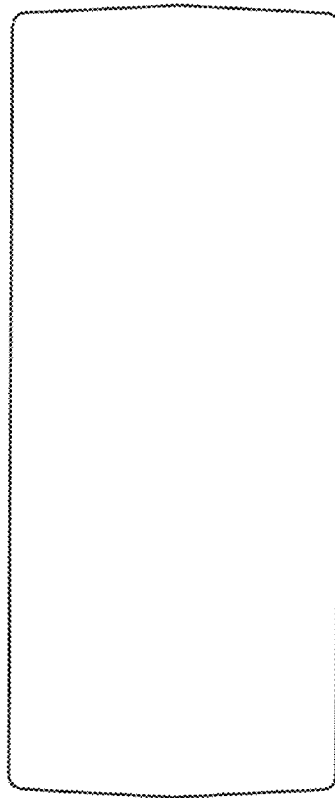


Fig. 7