



(51) International Patent Classification:

F01D 9/02 (2006.01) F04D 29/64 (2006.01)  
F04D 29/54 (2006.01) F04D 19/02 (2006.01)  
F04D 29/02 (2006.01) F01D 9/00 (2006.01)

(21) International Application Number:

PCT/US2019/059387

(22) International Filing Date:

01 November 2019 (01.11.2019)

(25) Filing Language:

English

(26) Publication Language:

English

(30) Priority Data:

16/179,378 02 November 2018 (02.11.2018) US  
16/178,677 02 November 2018 (02.11.2018) US

(71) Applicant: CHROMALLOY GAS TURBINE LLC

[US/US]; 3999 RCA Blvd., Palm Beach Gardens, Florida  
33410 (US).

(72) Inventors: FOLKERS, Daniel L.; 7533 SE Belle Maison

Drive, Stuart, Florida 34997 (US). XIAO, Zhenhua; 403  
S. Sapodilla Ave. PH2-10, West Palm Beach, FL 33401  
(US). MARTLING, Vincent C.; 10614 Versailles Blvd.,  
Wellington, Florida 33449 (US). MEDRANO, Mariano;  
488 SE 37th Terrace, Okeechobee, FL 34974 (US).

(74) Agent: ANIS, Hissan et al.; Lathrop Gage LLP, 10851

Mastin Boulevard, Building 82, Suite 1000, Overland Park,  
Kansas 66210-1669 (US).

(81) Designated States (unless otherwise indicated, for every

kind of national protection available): AE, AG, AL, AM,  
AO, AT, AU, AZ, BA, BB, BG, BH, BN, BR, BW, BY, BZ,  
CA, CH, CL, CN, CO, CR, CU, CZ, DE, DJ, DK, DM, DO,  
DZ, EC, EE, EG, ES, FI, GB, GD, GE, GH, GM, GT, HN,  
HR, HU, ID, IL, IN, IR, IS, JO, JP, KE, KG, KH, KN, KP,  
KR, KW, KZ, LA, LC, LK, LR, LS, LU, LY, MA, MD, ME,  
MG, MK, MN, MW, MX, MY, MZ, NA, NG, NI, NO, NZ,  
OM, PA, PE, PG, PH, PL, PT, QA, RO, RS, RU, RW, SA,

(54) Title: DIFFUSER GUIDE VANE

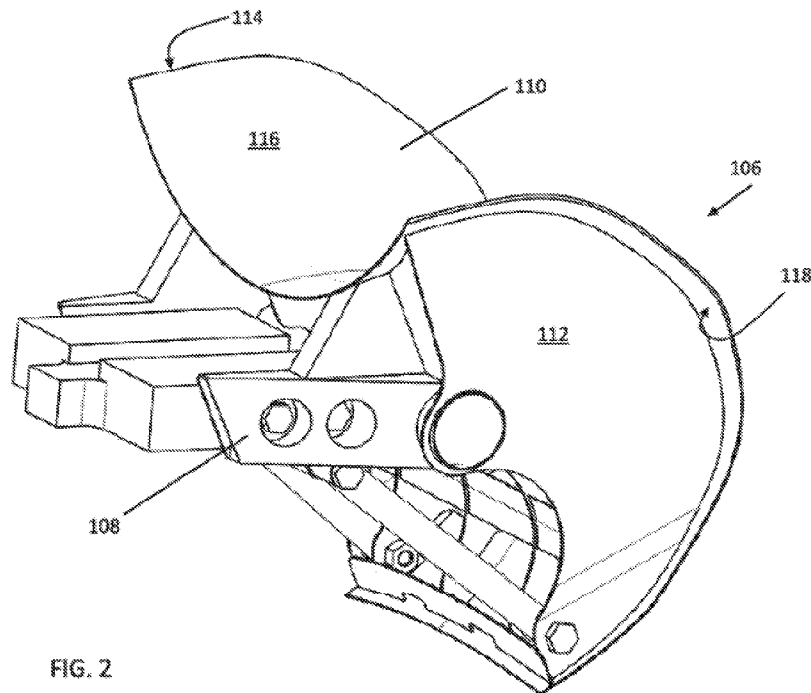


FIG. 2

(57) Abstract: A guide vane for use in a compressor discharge plenum of a gas turbine engine is disclosed. The guide vane comprises a guide support system, a first side panel, a second side panel, and a deflector panel secured to the mounting system and extending between the first side panel and the second side panel. The deflector panel has a curved profile substantially in accordance with Cartesian coordinate values of X, Y, and Z as set forth in Table 1 where the X, Y, and Z values are in inches from a center point of a bottom surface of the deflector panel. The coordinate values are connected by smooth continuing arcs to form profile sections and the profile sections are joined together smoothly to form the curved profile of the guide vane.



SC, SD, SE, SG, SK, SL, SM, ST, SV, SY, TH, TJ, TM, TN,  
TR, TT, TZ, UA, UG, US, UZ, VC, VN, ZA, ZM, ZW.

- (84) Designated States** (*unless otherwise indicated, for every kind of regional protection available*): ARIPO (BW, GH, GM, KE, LR, LS, MW, MZ, NA, RW, SD, SL, ST, SZ, TZ, UG, ZM, ZW), Eurasian (AM, AZ, BY, KG, KZ, RU, TJ, TM), European (AL, AT, BE, BG, CH, CY, CZ, DE, DK, EE, ES, FI, FR, GB, GR, HR, HU, IE, IS, IT, LT, LU, LV, MC, MK, MT, NL, NO, PL, PT, RO, RS, SE, SI, SK, SM, TR), OAPI (BF, BJ, CF, CG, CI, CM, GA, GN, GQ, GW, KM, ML, MR, NE, SN, TD, TG).

**Published:**

- *with international search report (Art. 21(3))*
- *before the expiration of the time limit for amending the claims and to be republished in the event of receipt of amendments (Rule 48.2(h))*

**(88) Date of publication of the international search report:**

25 June 2020 (25.06.2020)

## INTERNATIONAL SEARCH REPORT

International application No.

PCT/US 19/59387

## A. CLASSIFICATION OF SUBJECT MATTER

IPC - F01D 9/04, F04D 29/54, F04D 29/02, F04D 29/64, F04D 19/02, F01D 9/00 (2020.01)

CPC - F04D 29/542, F04D 19/02, F04D 29/023, F04D 29/644

According to International Patent Classification (IPC) or to both national classification and IPC

## B. FIELDS SEARCHED

Minimum documentation searched (classification system followed by classification symbols)  
See Search History documentDocumentation searched other than minimum documentation to the extent that such documents are included in the fields searched  
See Search History documentElectronic data base consulted during the international search (name of data base and, where practicable, search terms used)  
See Search History document

## C. DOCUMENTS CONSIDERED TO BE RELEVANT

Category*	Citation of document, with indication, where appropriate, of the relevant passages	Relevant to claim No.
X --- Y --- A	US 6,554,569 B2 (Decker et al.) 29 April 2003 (29.04.2003), entire document, especially Figs. 11-2, 4, 6-7; col 3 in 56-58, 66-67; col 4 in 1-2, 32-36, col 5 in 35-36	1-2, 4, 6-7, 9-10, 12-14 ----- 8, 15 ----- 3, 5, 11, 16-20
Y --- A	US 2018/0023591 A1 (Adjan) 25 January 2018 (25.01.2018), entire document, especially para [0013], [0044]	8, 15 ----- 3, 5, 11, 16-20
A	US 2010/0239418 A1 (Schott et al.) 23 September 2010 (23.09.2010), entire document	3, 5, 11, 16-20

 Further documents are listed in the continuation of Box C. See patent family annex.

* Special categories of cited documents:	"T" later document published after the international filing date or priority date and not in conflict with the application but cited to understand the principle or theory underlying the invention
"A" document defining the general state of the art which is not considered to be of particular relevance	"X" document of particular relevance; the claimed invention cannot be considered novel or cannot be considered to involve an inventive step when the document is taken alone
"D" document cited by the applicant in the international application	"Y" document of particular relevance; the claimed invention cannot be considered to involve an inventive step when the document is combined with one or more other such documents, such combination being obvious to a person skilled in the art
"E" earlier application or patent but published on or after the international filing date	"&" document member of the same patent family
"L" document which may throw doubts on priority claim(s) or which is cited to establish the publication date of another citation or other special reason (as specified)	
"O" document referring to an oral disclosure, use, exhibition or other means	
"P" document published prior to the international filing date but later than the priority date claimed	

Date of the actual completion of the international search

9 April 2020

Date of mailing of the international search report

18 MAY 2020

Name and mailing address of the ISA/US

Mail Stop PCT, Attn: ISA/US, Commissioner for Patents  
P.O. Box 1450, Alexandria, Virginia 22313-1450  
Facsimile No. 571-273-8300

Authorized officer

Lee Young

Telephone No. PCT Helpdesk: 571-272-4300