



US00D868780S

(12) **United States Design Patent**
Doan et al.

(10) **Patent No.:** **US D868,780 S**

(45) **Date of Patent:** **** Dec. 3, 2019**

(54) **WEARABLE DEVICE**

(71) Applicant: **GlaxoSmithKline Consumer Healthcare Holdings, US, LLC,**
Wilmington, DE (US)

(72) Inventors: **Brian Doan,** Warren, NJ (US); **Jeffrey Brunner,** Warren, NJ (US); **Alexander James Peacop,** Worcestershire (GB); **Martin Crofton,** West Midlands (GB)

(73) Assignee: **GlaxoSmithKline Consumer Healthcare Holdings (US) LLC,**
Wilmington, DE (US)

(**) Term: **15 Years**

(21) Appl. No.: **29/612,585**

(22) Filed: **Aug. 2, 2017**

(51) **LOC (12) Cl.** **14-02**

(52) **U.S. Cl.**
USPC **D14/344**

(58) **Field of Classification Search**
USPC .. D14/138 R, 144, 341, 344, 358, 388, 218;
D10/30-39, 70, 98; D11/3, 4, 26, 93-94,
(Continued)

(56) **References Cited**

U.S. PATENT DOCUMENTS

D501,260 S 1/2005 Mitrevics
D501,937 S 2/2005 Mitrevics
(Continued)

OTHER PUBLICATIONS

Images of Fitbit Charge 2 and Fitbit Flex 2 leak, posted Aug. 17, 2016, [retrieved Jul. 26, 2018]. Retrieved from Internet, <URL: <https://www.androidauthority.com/fitbit-charge-2-fitbit-flex-2-leak-710412/>>.*

(Continued)

Primary Examiner — Barbara Fox
Assistant Examiner — Kristin E Reed

(74) *Attorney, Agent, or Firm* — Roshni A. Sitapara;
Joshua C. Sanders

(57) **CLAIM**

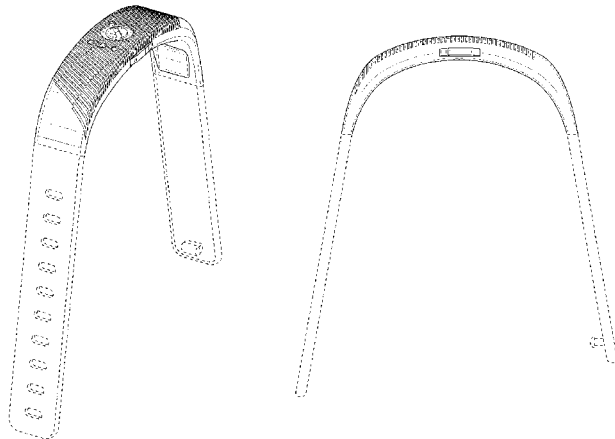
We claim the ornamental design for a wearable device, as shown and described.

DESCRIPTION

FIG. 1 is a perspective view of a wearable device showing our new invention in a first embodiment; FIG. 2 is a left side view thereof; FIG. 3 is a right side view thereof; FIG. 4 is a front view thereof; FIG. 5 is a back view thereof; FIG. 6 is a top view thereof; FIG. 7 is a bottom view thereof; FIG. 8 is a perspective view of the wearable device in a second embodiment; FIG. 9 is a left side view thereof; FIG. 10 is a right side view thereof; FIG. 11 is a front view thereof; FIG. 12 is a back view thereof; FIG. 13 is a top view thereof; FIG. 14 is a bottom view thereof; FIG. 15 is a perspective view of the wearable device in a third embodiment; FIG. 16 is a left side view thereof; FIG. 17 is a right side view thereof; FIG. 18 is a front view thereof; FIG. 19 is a back view thereof; FIG. 20 is a top view thereof; FIG. 21 is a bottom view thereof; FIG. 22 is a perspective view of the wearable device in a fourth embodiment; FIG. 23 is a left side view thereof; FIG. 24 is a right side view thereof; FIG. 25 is a front view thereof; FIG. 26 is a back view thereof; FIG. 27 is a top view thereof; and, FIG. 28 is a bottom view thereof.

The broken lines shown in the figures depict portions of the wearable device that form no part of the claimed design.

1 Claim, 28 Drawing Sheets



(58) **Field of Classification Search**

USPC D11/78.1, 79, 86; D24/167, 169,
D24/186-187, 164
CPC A41D 1/002; A41D 19/0034; G06F 1/04;
G06F 1/08; G06F 1/10; G06F 1/14; G06F
1/1626; G06F 1/1628; G06F 1/163; G06F
1/1635; G06F 1/3203; G06Q 20/10;
G06Q 20/12; G06Q 20/108; G06Q
20/145; H04B 1/3888; H04M 1/02; H04M 1/03;
H04M 1/04; H04M 1/05; H04M 1/667;
H04M 1/6058; Y02B 60/1217

See application file for complete search history.

(56) **References Cited**

U.S. PATENT DOCUMENTS

D508,741 S 8/2005 Mitrevics
D509,760 S 9/2005 Burrell
D513,806 S 1/2006 Mitrevics
D549,602 S 8/2007 Oberrieder et al.
D550,105 S 9/2007 Oberrieder et al.
D560,520 S 1/2008 Oberrieder et al.
D562,888 S 2/2008 Brown
D565,095 S 3/2008 Brown
D565,096 S 3/2008 Brown
D565,097 S 3/2008 Brown
D596,510 S 7/2009 Register et al.
D610,922 S 3/2010 Lammers-Meis et al.
D657,697 S 4/2012 Lammers-Meis et al.
D660,726 S 5/2012 Register et al.
D661,206 S 6/2012 Register et al.
D682,712 S 5/2013 Lammers-Meis et al.
D706,531 S 6/2014 Park et al.
D707,041 S 6/2014 Park et al.
D714,672 S 10/2014 Park et al.
D715,665 S 10/2014 Park et al.
D715,666 S 10/2014 Park et al.
D715,668 S 10/2014 Roush et al.
D717,680 S 11/2014 Park et al.
D718,647 S 12/2014 Roush et al.
D720,249 S 12/2014 Park et al.
D720,635 S 1/2015 Park et al.
D724,468 S 3/2015 Tan et al.
D725,497 S 3/2015 Henne et al.
D725,510 S * 3/2015 Henning D10/70
D727,183 S 4/2015 Park et al.
D727,759 S 4/2015 Martinez et al.
D729,658 S * 5/2015 Behar D10/70

D729,806 S 5/2015 Park et al.
D733,604 S 7/2015 Tan et al.
D737,716 S 9/2015 Tan et al.
D738,769 S 9/2015 Tan et al.
D739,268 S 9/2015 Lammers-Meis et al.
D739,768 S 9/2015 Hanshew et al.
D740,136 S 10/2015 Henne et al.
D742,254 S 11/2015 Greusel et al.
D742,761 S 11/2015 Grazian et al.
D746,776 S 1/2016 Park et al.
D749,002 S 2/2016 Park et al.
D756,240 S 5/2016 Register et al.
D757,583 S * 5/2016 Roush D10/70
D759,516 S * 6/2016 Ling D10/30
D759,523 S 6/2016 Ling et al.
D759,826 S 6/2016 Martinez et al.
D763,107 S 8/2016 Nielsen et al.
D763,719 S 8/2016 Nielsen et al.
D766,758 S 9/2016 Park et al.
D768,028 S 10/2016 Ling et al.
D772,081 S 11/2016 Lee et al.
D777,590 S 1/2017 Nielsen et al.
D790,994 S 4/2017 Nielsen et al.
D789,929 S * 6/2017 Tan D14/344
D790,374 S 6/2017 Lean et al.
D795,719 S 8/2017 Lean et al.
D796,368 S 9/2017 Lowe et al.
D800,109 S * 10/2017 Rouillac D14/344
D800,596 S * 10/2017 Ling D11/5
D802,453 S * 11/2017 Page D10/70
9,939,787 B2 * 4/2018 Baek G04G 17/04
D816,668 S * 5/2018 Wu D14/344
2016/0072554 A1 * 3/2016 Sharma H04B 5/0031
455/41.1
2017/0083046 A1 * 3/2017 Seok A61B 5/681
2018/0039303 A1 * 2/2018 Hashimoto G02F 1/167

OTHER PUBLICATIONS

Sony SmartBand SWR10 Black, posted Dec. 21, 2016, [retrieved Jul. 26, 2018]. Retrieved from Internet, <URL: <https://www.skroust.gr/s/5061399/Sony-SmartBand-SWR10-Black.html#reviews>>.*
オリジナル小米 科技ミバンド2スマー トリストバンドハー トレートモニター, , posted Aug. 29, 2017, [retrieved Jul. 26, 2018]. Retrieved from Internet, <URL: <https://www.amazon.co.jp/MI>>.*
U.S. Appl. No. 29/612,584, filed Aug. 2, 2017.
U.S. Appl. No. 29/612,586, filed Aug. 2, 2017.
U.S. Appl. No. 29/612,587, filed Aug. 2, 2017.

* cited by examiner

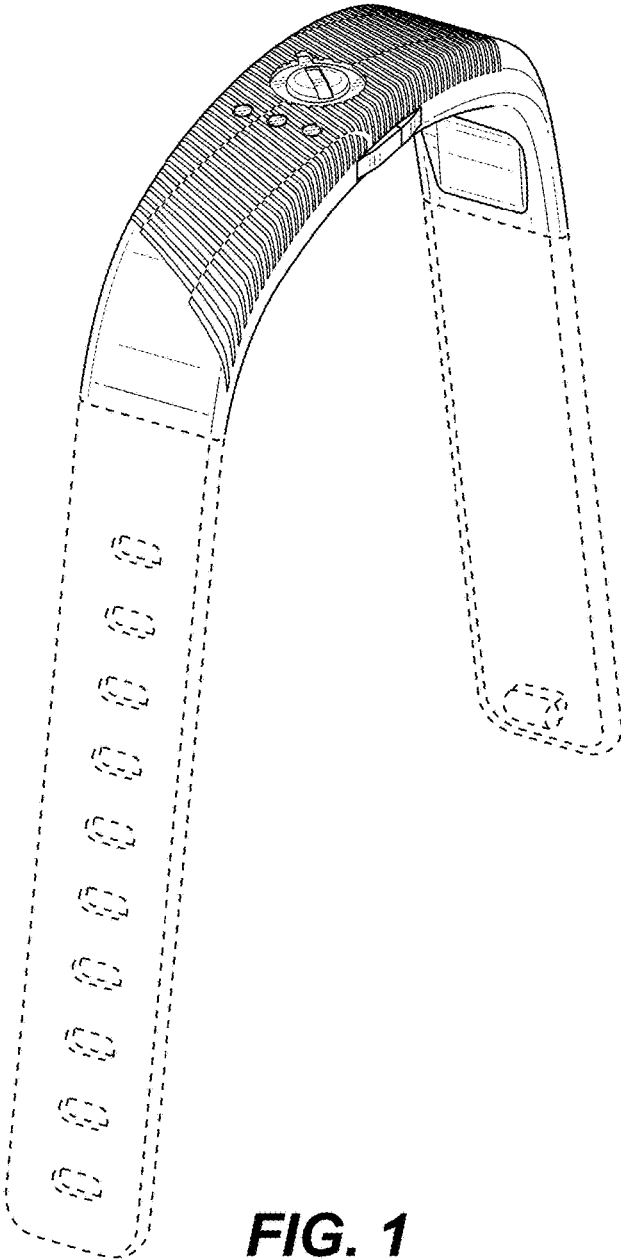


FIG. 1

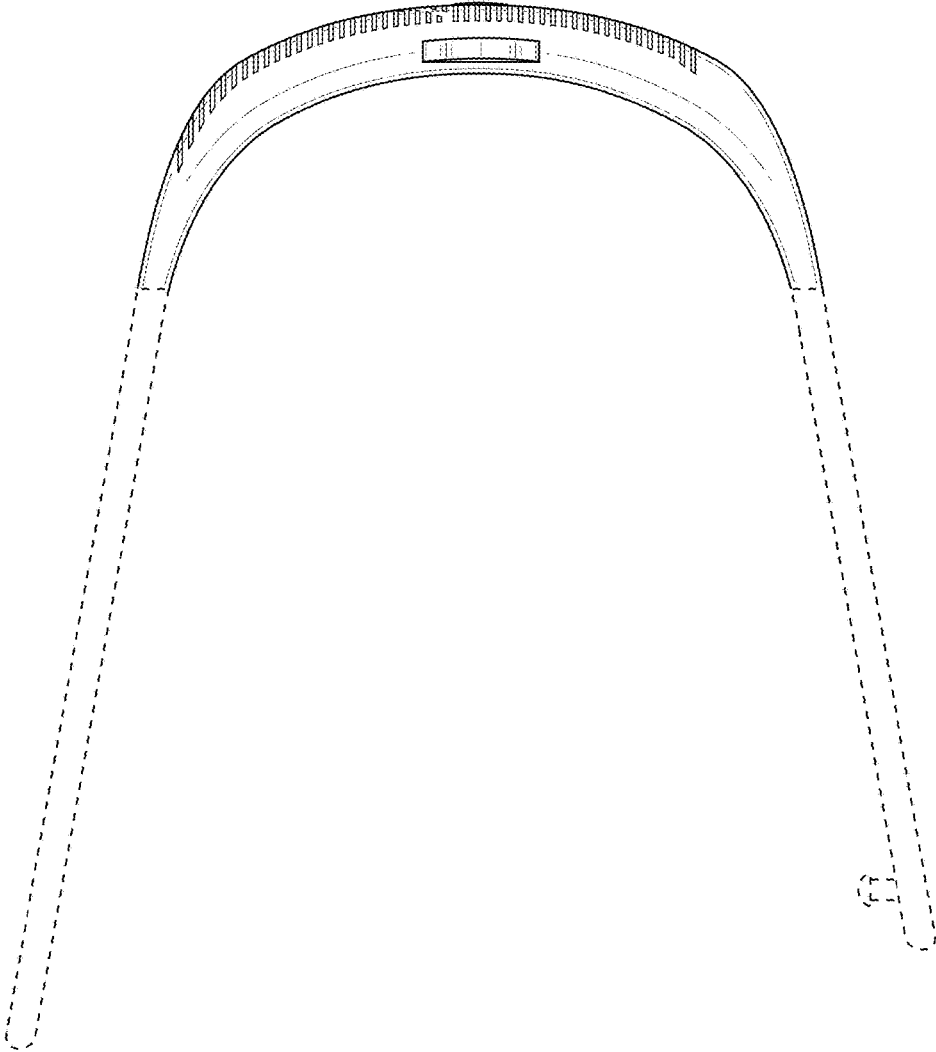


FIG. 2

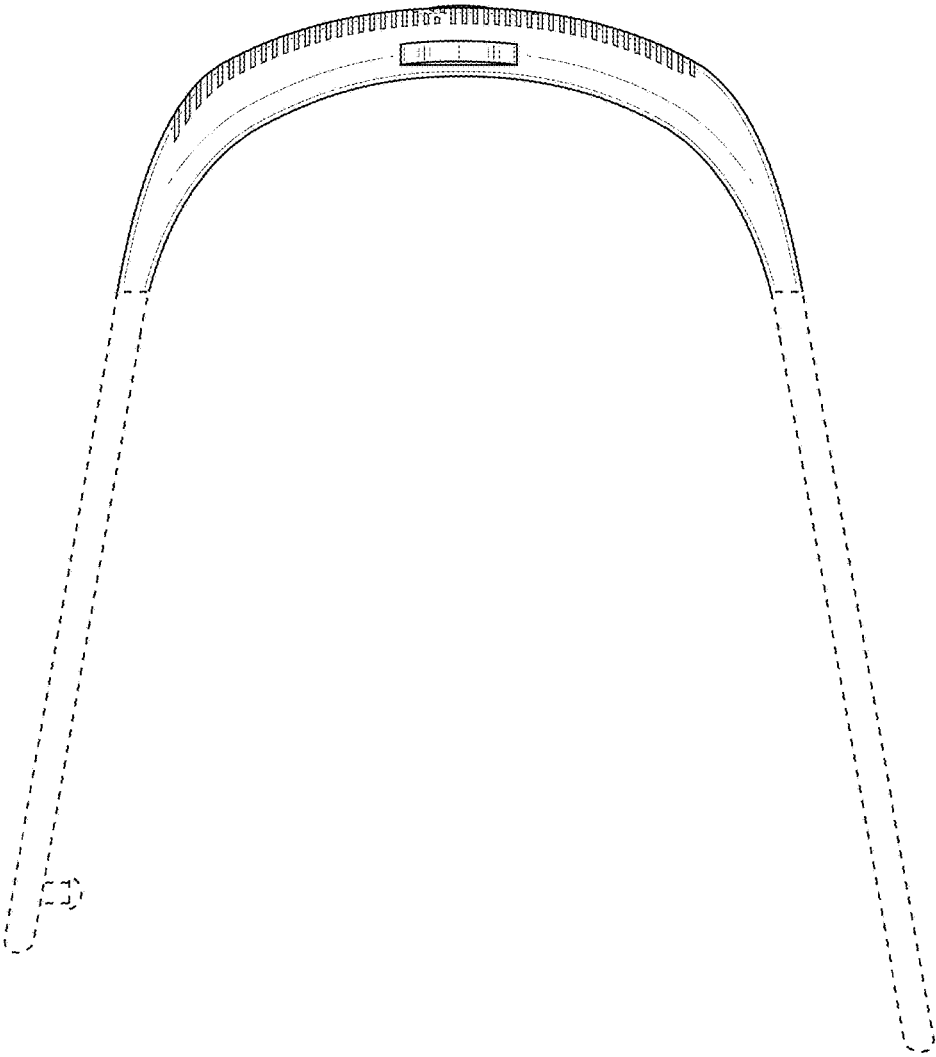


FIG. 3

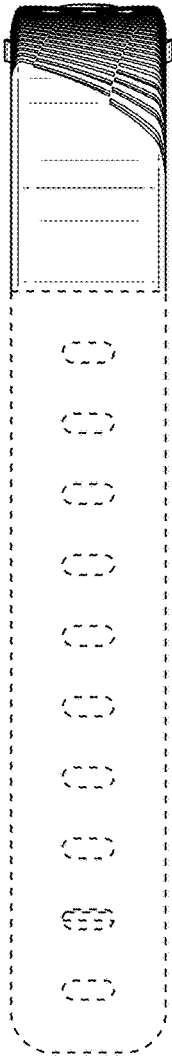


FIG. 4



FIG. 5

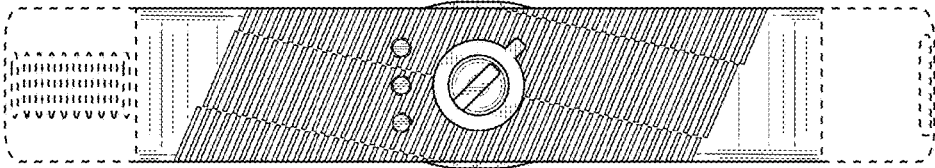


FIG. 6

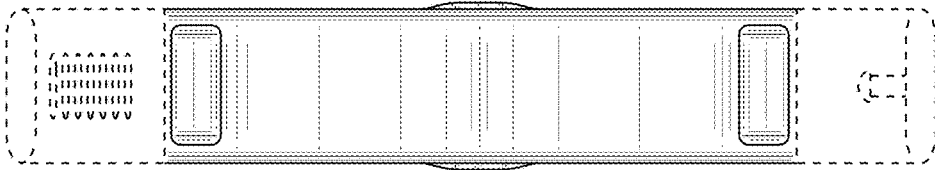


FIG. 7

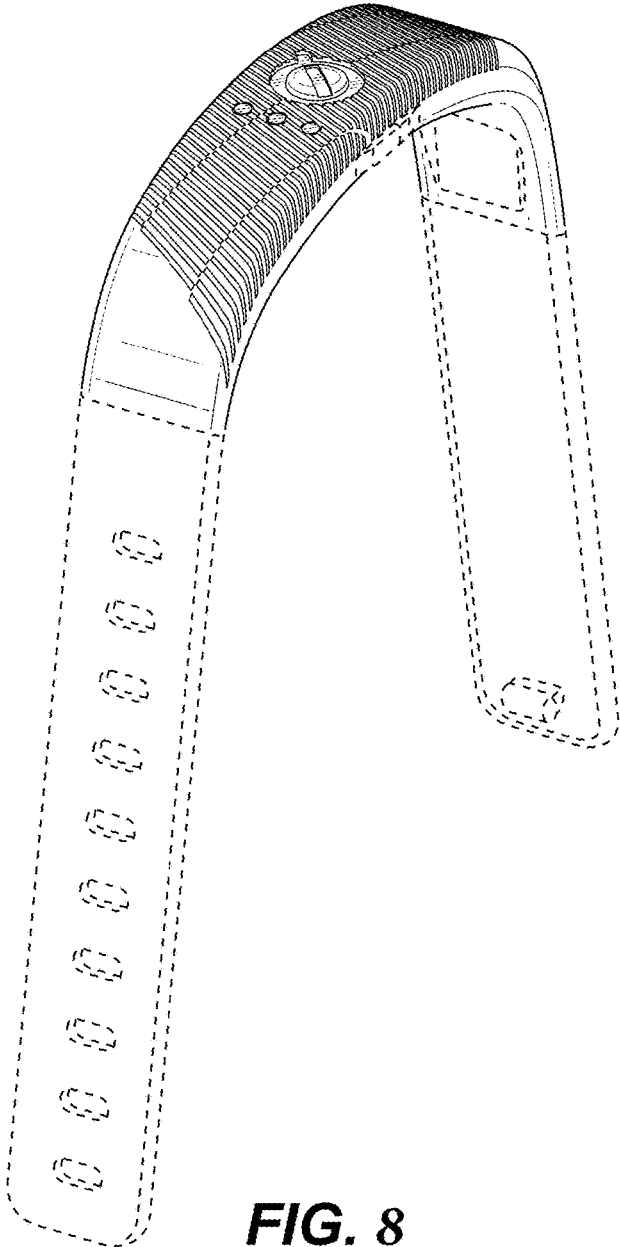


FIG. 8

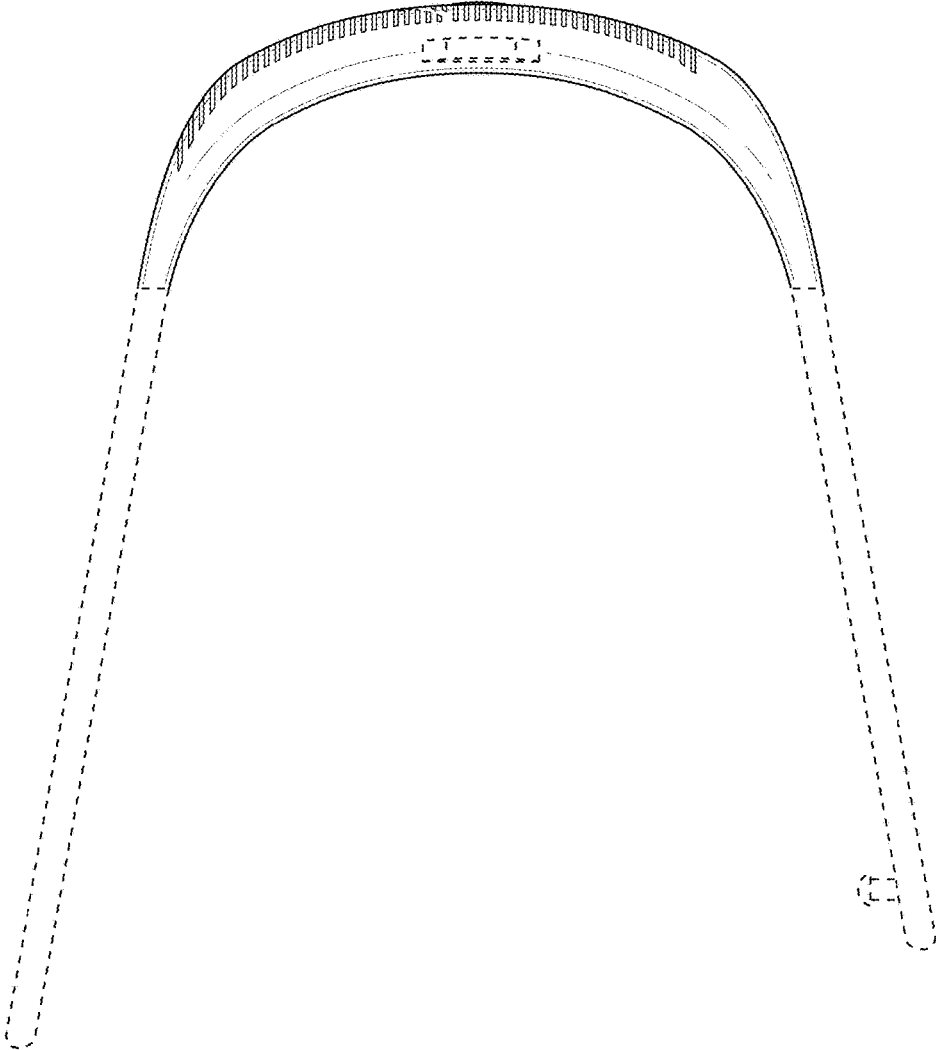


FIG. 9

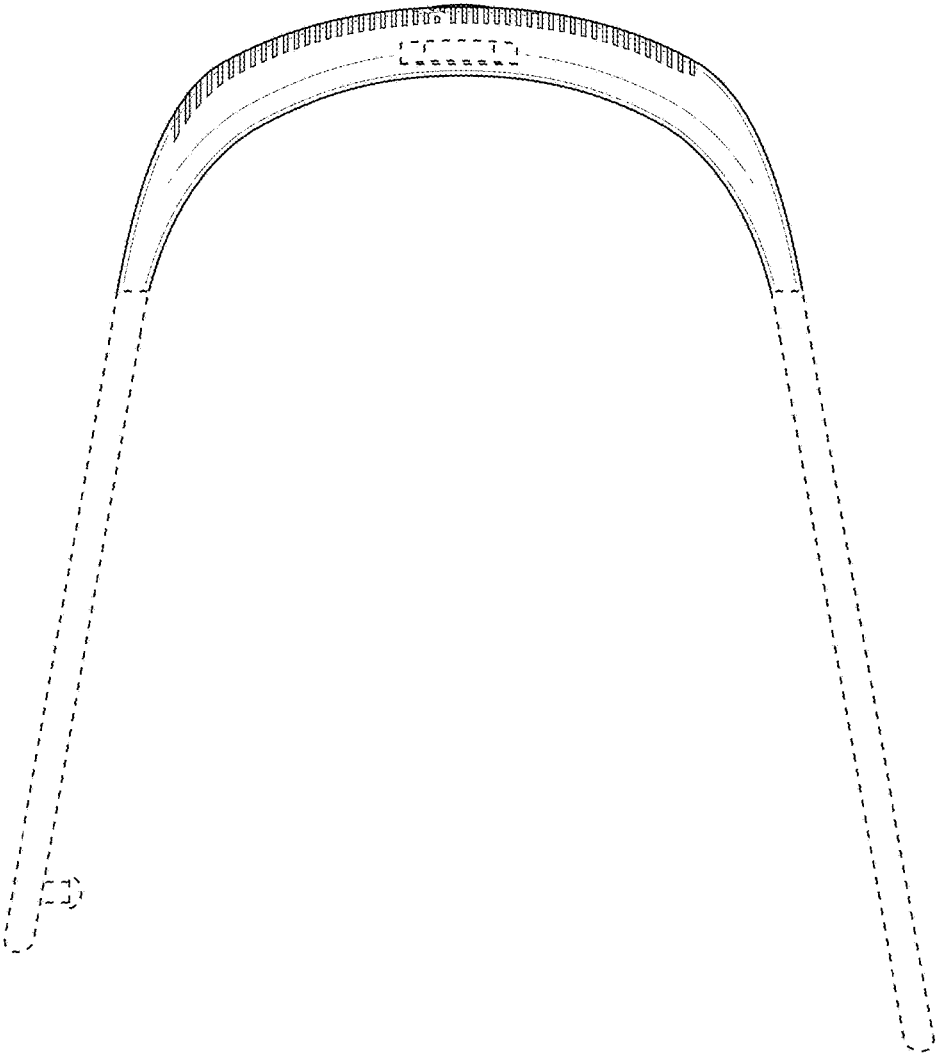


FIG. 10

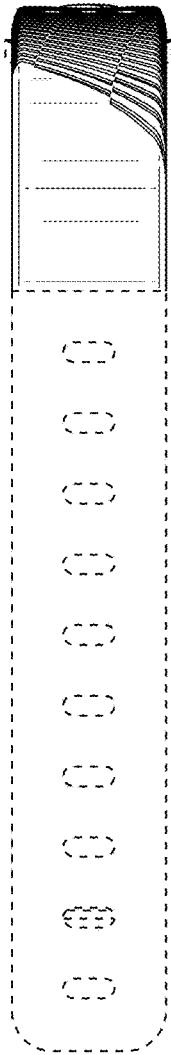


FIG. 11



FIG. 12

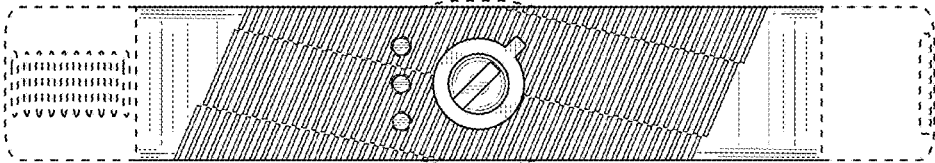


FIG. 13

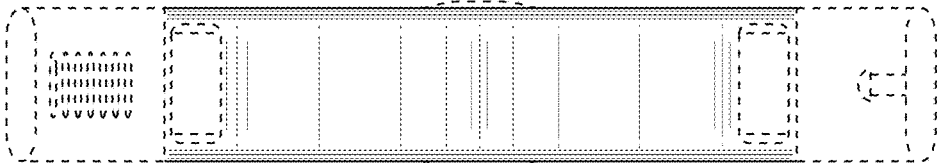


FIG. 14

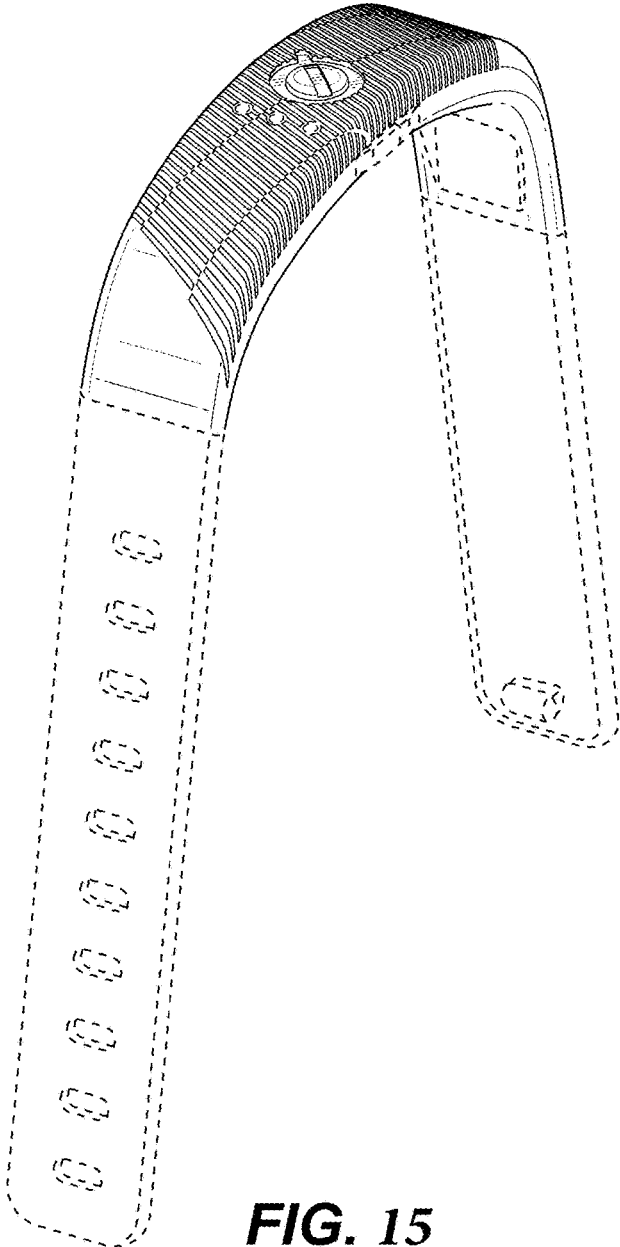


FIG. 15

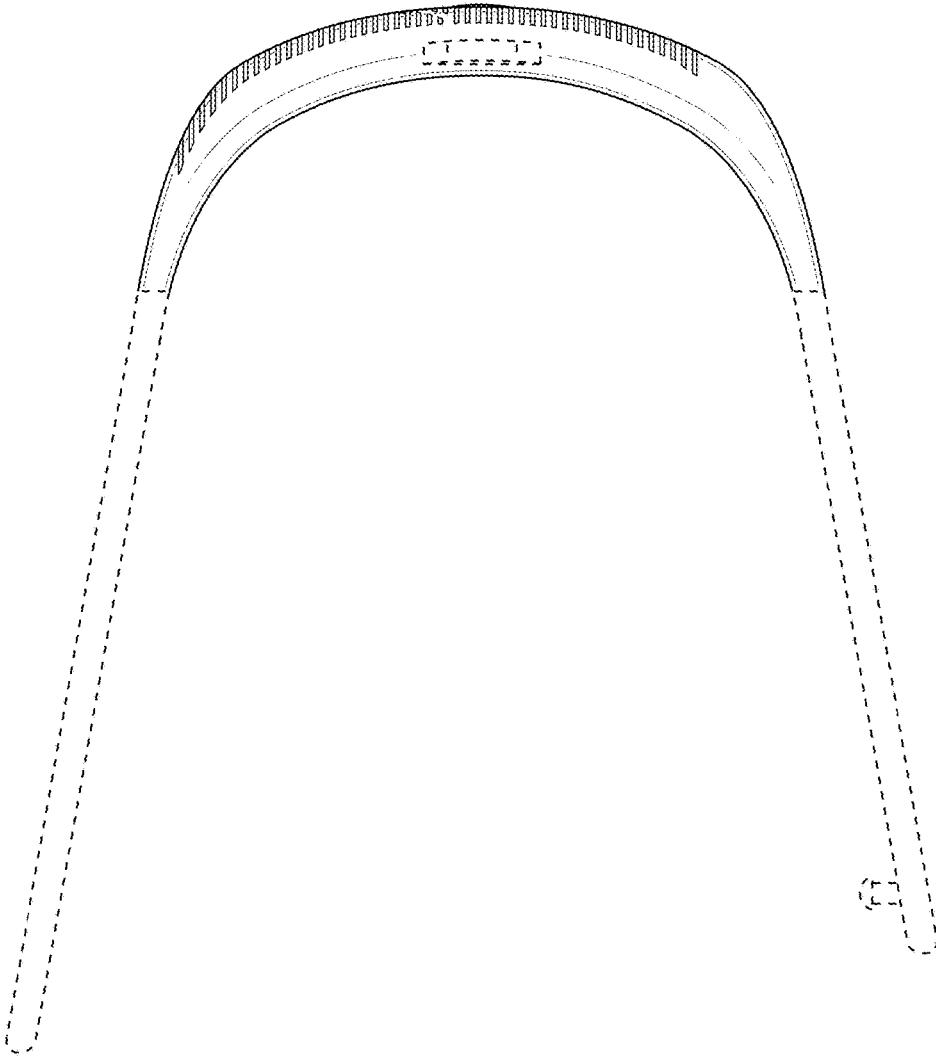


FIG. 16

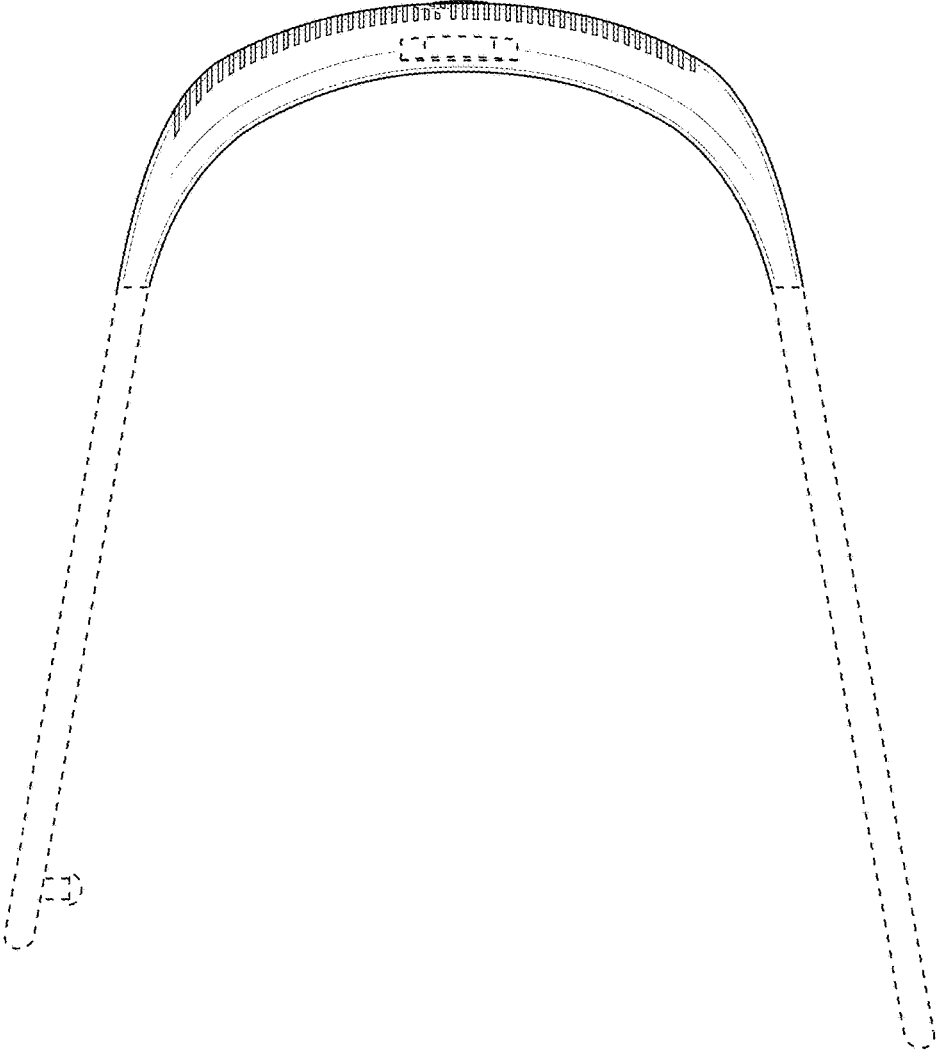


FIG. 17

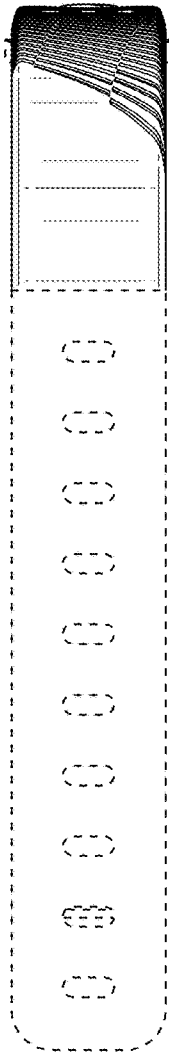


FIG. 18



FIG. 19

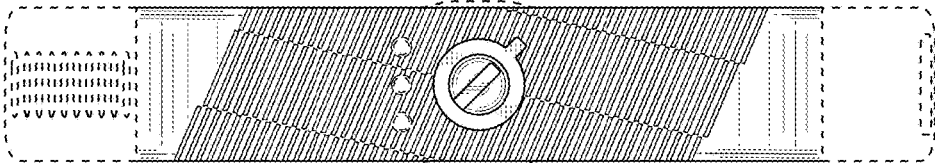


FIG. 20

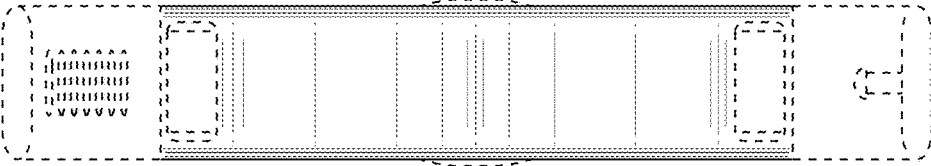


FIG. 21

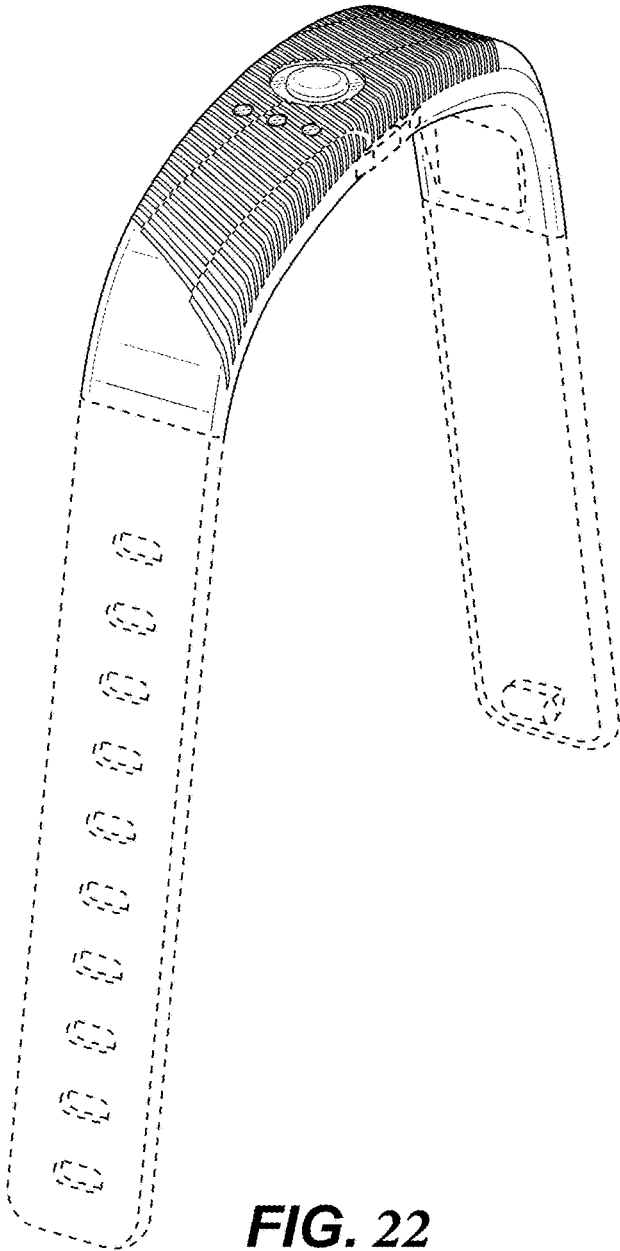


FIG. 22

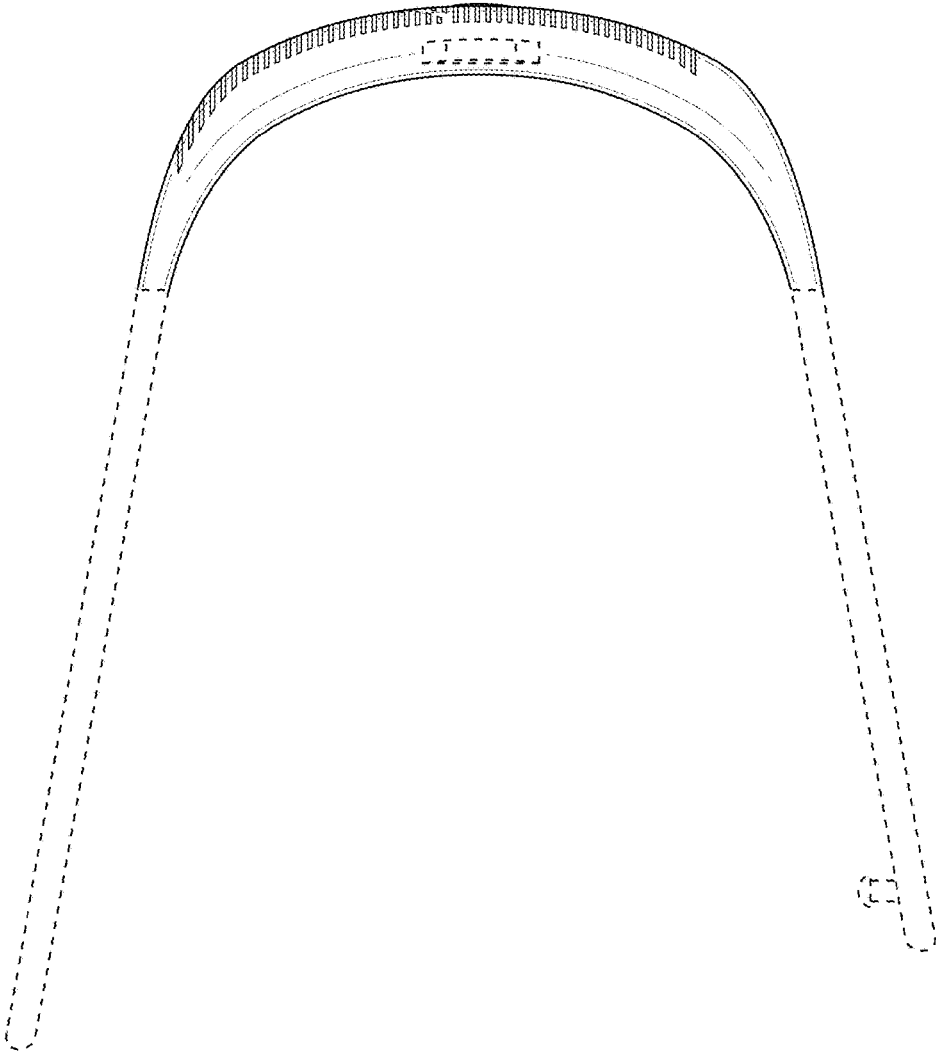


FIG. 23

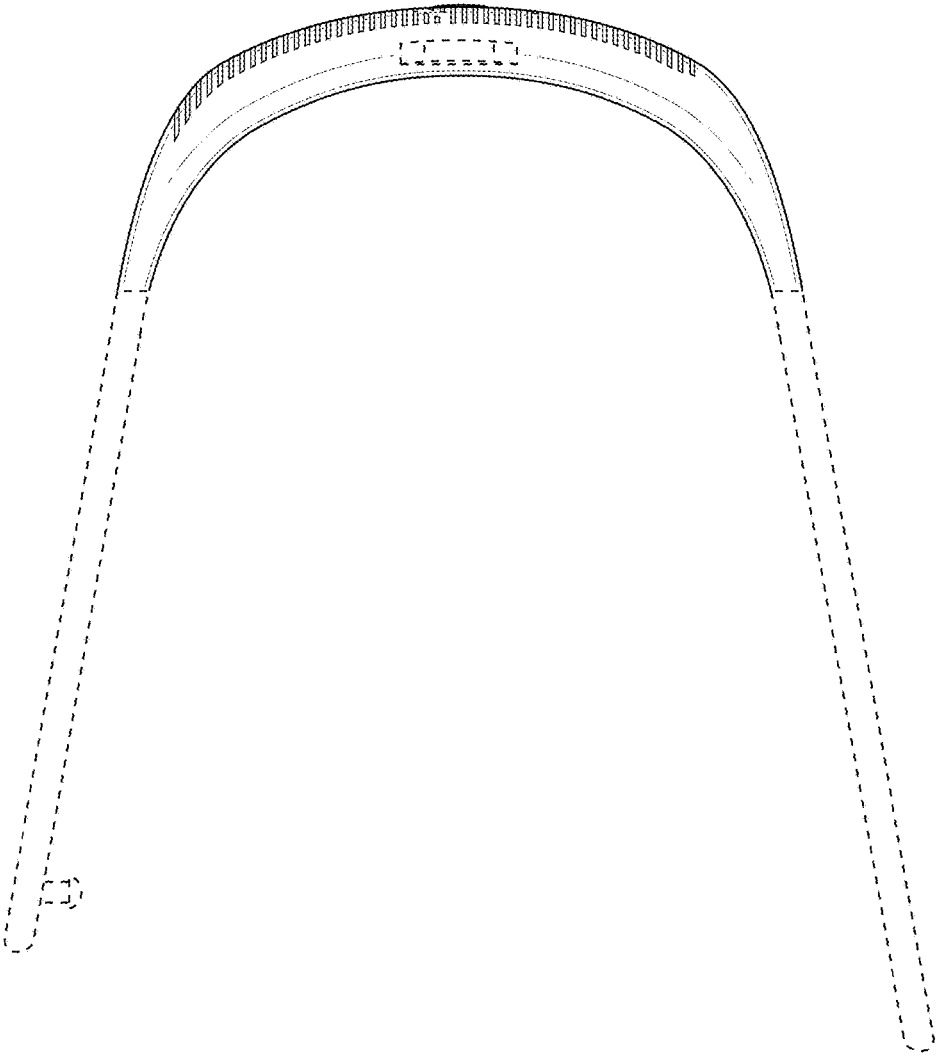


FIG. 24

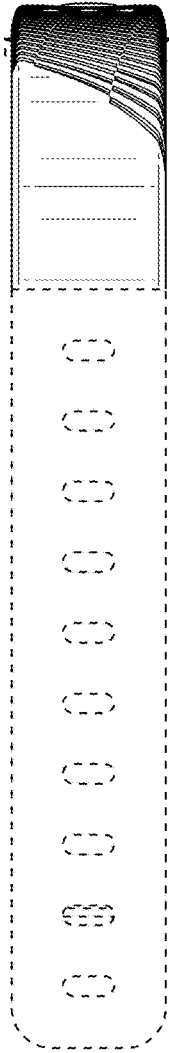


FIG. 25



FIG. 26

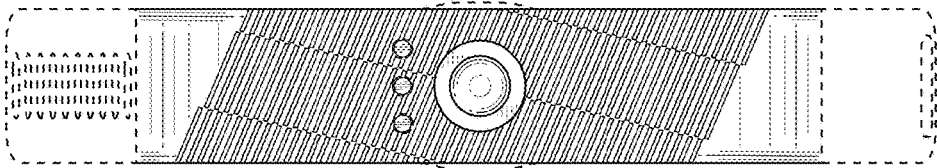


FIG. 27

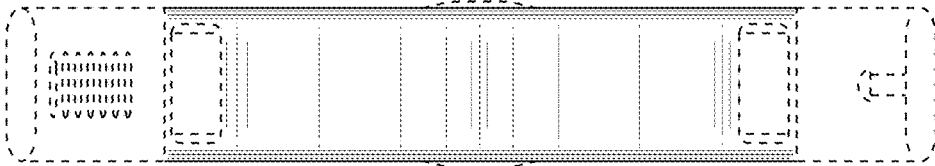


FIG. 28