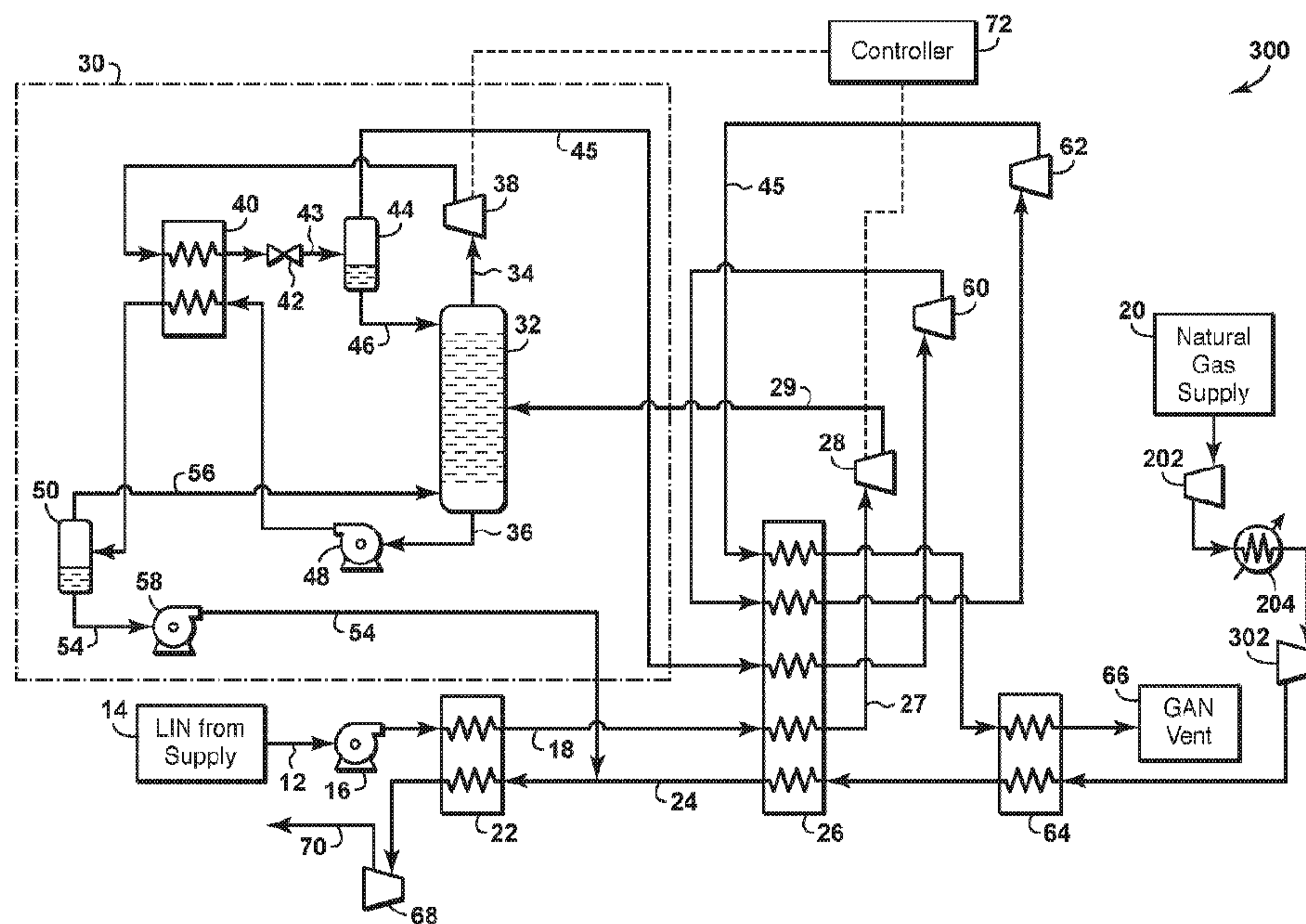




(86) Date de dépôt PCT/PCT Filing Date: 2016/06/14
 (87) Date publication PCT/PCT Publication Date: 2017/01/19
 (45) Date de délivrance/Issue Date: 2019/12/17
 (85) Entrée phase nationale/National Entry: 2018/01/03
 (86) N° demande PCT/PCT Application No.: US 2016/037377
 (87) N° publication PCT/PCT Publication No.: 2017/011124
 (30) Priorité/Priority: 2015/07/15 (US62/192,657)

(51) Cl.Int./Int.Cl. *F25J 1/00* (2006.01),
F25J 1/02 (2006.01), *F25J 3/02* (2006.01)
 (72) Inventeurs/Inventors:
PIERRE, FRITZ, US;
GUPTE, PARAG A., US;
HUNTINGTON, RICHARD A., US;
DENTON, ROBERT D., US
 (73) Propriétaire/Owner:
EXXONMOBIL UPSTREAM RESEARCH COMPANY,
US
 (74) Agent: BORDEN LADNER GERVAIS LLP

(54) Titre : AUGMENTATION DE L'EFFICACITE DANS UN SYSTEME DE PRODUCTION DE GNL PAR PRE-REFROIDISSEMENT D'UN FLUX D'ALIMENTATION EN GAZ NATUREL
 (54) Title: INCREASING EFFICIENCY IN AN LNG PRODUCTION SYSTEM BY PRE-COOLING A NATURAL GAS FEED STREAM



(57) Abrégé/Abstract:

Described herein are systems and processes to produce liquefied natural gas (LNG) using liquefied nitrogen (LIN) as the refrigerant. Greenhouse gas contaminants are removed from the LIN using a greenhouse gas removal unit. The LNG is compressed prior to being cooled by the LIN.

(12) INTERNATIONAL APPLICATION PUBLISHED UNDER THE PATENT COOPERATION TREATY (PCT)

(19) World Intellectual Property
Organization
International Bureau

WIPO | PCT

(10) International Publication Number
WO 2017/011124 A1(43) International Publication Date
19 January 2017 (19.01.2017)

(51) International Patent Classification:

F25J 1/00 (2006.01) F25J 3/02 (2006.01)
F25J 1/02 (2006.01)

(21) International Application Number:

PCT/US2016/037377

(22) International Filing Date:

14 June 2016 (14.06.2016)

(25) Filing Language:

English

(26) Publication Language:

English

(30) Priority Data:

62/192,657 15 July 2015 (15.07.2015) US

(71) Applicant (for all designated States except US): **EXXON-MOBIL UPSTREAM RESEARCH COMPANY** [US/US]; CORP-URC-E2.4A.296, 22777 Springwoods Village Parkway, Spring, TX 77389 (US).

(72) Inventors; and

(71) Applicants (for US only): **PIERRE, Fritz** [US/US]; 18011 Bayou Mead Trail, Humble, TX 77346 (US). **GUPTE, Parag, A.** [US/US]; 40 Old Windsor Way, Sugar Land, TX 77479 (US). **HUNTINGTON, Richard, A.** [US/US]; 5306 Pine Wood Meadows Lane, Spring, TX 77386 (US). **DENTON, Robert, D.** [US/US]; 4314 Phil Street, Bellaire, TX 77401 (US).(74) Agents: **JENSEN, Nathan, O.** et al.; ExxonMobil Upstream Research Company, CORP-URC-E2.4A.296, 22777 Springwoods Village Parkway, Spring, TX 77389 (US).

(81) Designated States (unless otherwise indicated, for every kind of national protection available): AE, AG, AL, AM,

AO, AT, AU, AZ, BA, BB, BG, BH, BN, BR, BW, BY, BZ, CA, CH, CL, CN, CO, CR, CU, CZ, DE, DK, DM, DO, DZ, EC, EE, EG, ES, FI, GB, GD, GE, GH, GM, GT, HN, HR, HU, ID, IL, IN, IR, IS, JP, KE, KG, KN, KP, KR, KZ, LA, LC, LK, LR, LS, LU, LY, MA, MD, ME, MG, MK, MN, MW, MX, MY, MZ, NA, NG, NI, NO, NZ, OM, PA, PE, PG, PH, PL, PT, QA, RO, RS, RU, RW, SA, SC, SD, SE, SG, SK, SL, SM, ST, SV, SY, TH, TJ, TM, TN, TR, TT, TZ, UA, UG, US, UZ, VC, VN, ZA, ZM, ZW.

(84) Designated States (unless otherwise indicated, for every kind of regional protection available): ARIPO (BW, GH, GM, KE, LR, LS, MW, MZ, NA, RW, SD, SL, ST, SZ, TZ, UG, ZM, ZW), Eurasian (AM, AZ, BY, KG, KZ, RU, TJ, TM), European (AL, AT, BE, BG, CH, CY, CZ, DE, DK, EE, ES, FI, FR, GB, GR, HR, HU, IE, IS, IT, LT, LU, LV, MC, MK, MT, NL, NO, PL, PT, RO, RS, SE, SI, SK, SM, TR), OAPI (BF, BJ, CF, CG, CI, CM, GA, GN, GQ, GW, KM, ML, MR, NE, SN, TD, TG).

Declarations under Rule 4.17:

- as to applicant's entitlement to apply for and be granted a patent (Rule 4.17(ii))
- as to the applicant's entitlement to claim the priority of the earlier application (Rule 4.17(iii))

Published:

- with international search report (Art. 21(3))
- before the expiration of the time limit for amending the claims and to be republished in the event of receipt of amendments (Rule 48.2(h))

(54) Title: INCREASING EFFICIENCY IN AN LNG PRODUCTION SYSTEM BY PRE-COOLING A NATURAL GAS FEED STREAM

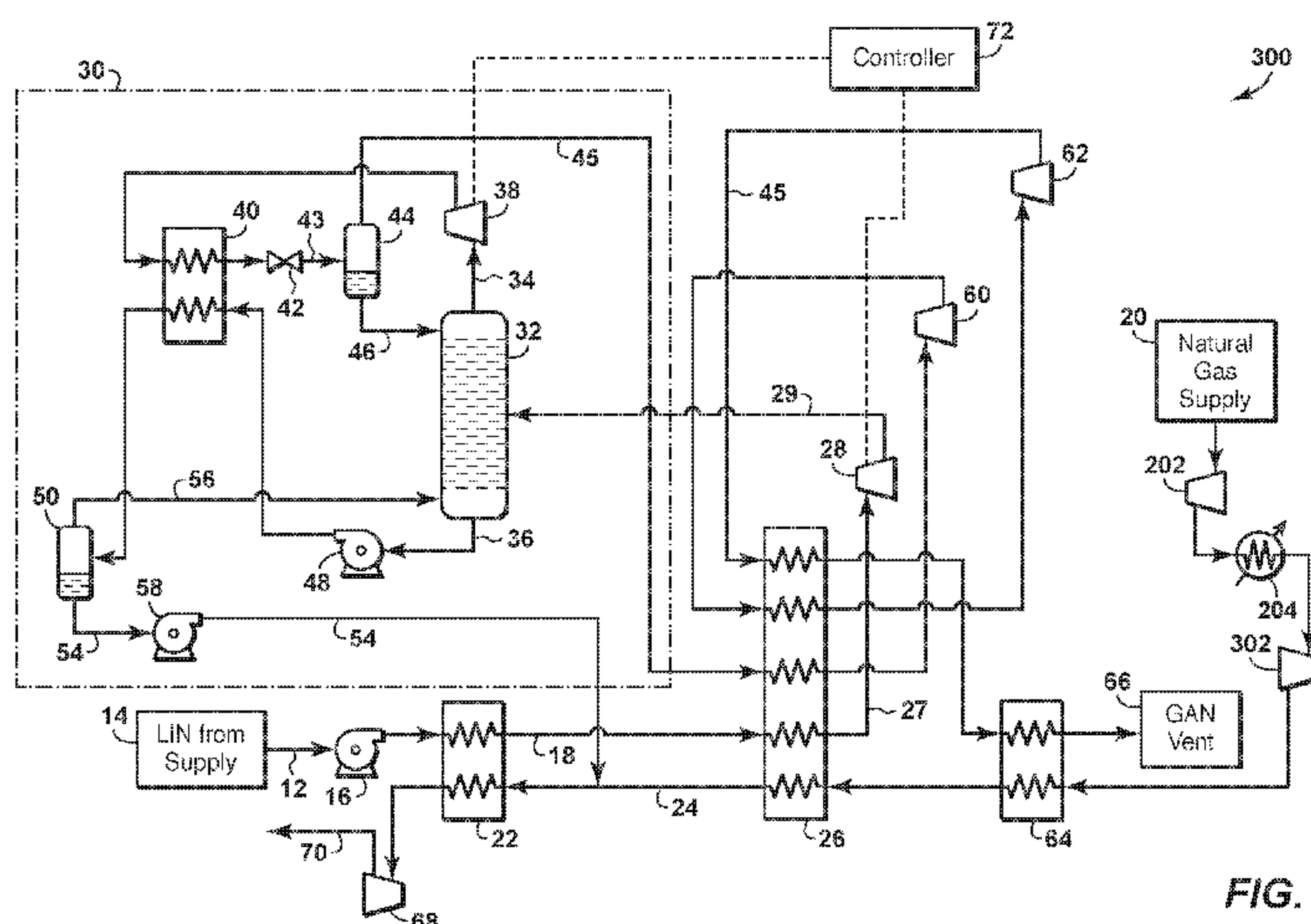


FIG. 3

(57) Abstract: Described herein are systems and processes to produce liquefied natural gas (LNG) using liquefied nitrogen (LIN) as the refrigerant. Greenhouse gas contaminants are removed from the LIN using a greenhouse gas removal unit. The LNG is compressed prior to being cooled by the LIN.

INCREASING EFFICIENCY IN AN LNG PRODUCTION SYSTEM BY PRE-COOLING A NATURAL GAS FEED STREAM

5 *This paragraph has been left intentionally blank.*

10

FIELD OF THE INVENTION

15 [0003] The invention relates to the liquefaction of natural gas to form liquefied natural gas (LNG), and more specifically, to the production of LNG in remote or sensitive areas where the construction and/or maintenance of capital facilities, and/or the environmental impact of a conventional LNG plant may be detrimental.

BACKGROUND

20 [0004] LNG production is a rapidly growing means to supply natural gas from locations with an abundant supply of natural gas to distant locations with a strong demand of natural gas. The conventional LNG cycle includes: a) initial treatments of the natural gas resource to remove contaminants such as water, sulfur compounds and carbon dioxide; b) the separation of some heavier hydrocarbon gases, such as propane, butane, pentane, etc. by a variety of possible methods including self-refrigeration, external refrigeration, lean oil, etc.; c) 25 refrigeration of the natural gas substantially by external refrigeration to form LNG at near atmospheric pressure and about -160 °C; d) transport of the LNG product in ships or tankers designed for this purpose to a market location; e) re-pressurization and re-gasification of the LNG to a pressurized natural gas that may distributed to natural gas consumers. Step (c) of the conventional LNG cycle usually requires the use of large refrigeration compressors often 30 powered by large gas turbine drivers that emit substantial carbon and other emissions. Large capital investments in the billions of US dollars and extensive infrastructure are required as

part of the liquefaction plant. Step (e) of the conventional LNG cycle generally includes re-pressurizing the LNG to the required pressure using cryogenic pumps and then re-gasifying the LNG to pressurized natural gas by exchanging heat through an intermediate fluid but ultimately with seawater or by combusting a portion of the natural gas to heat and vaporize the LNG. Generally, the available exergy of the cryogenic LNG is not utilized.

[0005] A cold refrigerant produced at a different location, such as liquefied nitrogen gas (“LIN”), can be used to liquefy natural gas. A process known as the LNG-LIN concept relates to a non-conventional LNG cycle in which at least Step (c) above is replaced by a natural gas liquefaction process that substantially uses liquid nitrogen (LIN) as an open loop source of refrigeration and in which Step (e) above is modified to utilize the exergy of the cryogenic LNG to facilitate the liquefaction of nitrogen gas to form LIN that may then be transported to the resource location and used as a source of refrigeration for the production of LNG. United States Patent No. 3,400,547 describes shipping liquid nitrogen or liquid air from a market place to a field site where it is used to liquefy natural gas. United States Patent No. 3,878,689 describes a process to use LIN as the source of refrigeration to produce LNG. United States Patent No. 5,139,547 describes the use of LNG as a refrigerant to produce LIN.

[0006] The LNG-LIN concept further includes the transport of LNG in a ship or tanker from the resource location to the market location and the reverse transport of LIN from the market location to the resource location. The use of the same ship or tanker, and perhaps the use of common onshore tankage, are expected to minimize costs and required infrastructure. As a result, some contamination of the LNG with LIN and some contamination of the LIN with LNG may be expected. Contamination of the LNG with LIN is likely not to be a major concern as natural gas specifications (such as those promulgated by the United States Federal Energy Regulatory Commission) for pipelines and similar distribution means allow for some inert gas to be present. However, since the LIN at the resource location will ultimately be vented to the atmosphere, contamination of the LIN with LNG (a greenhouse gas more than 20 times as impactful as Carbon Dioxide) must be reduced to levels acceptable for such venting. Techniques to remove the residual contents of tanks are well known but it may not be economic or environmentally acceptable to achieve the needed low level of contamination to avoid treatment of the LIN or vaporized nitrogen at the resource location prior to venting the gaseous nitrogen (GAN).

[0007] United States Patent Application Publication No. 2010/0251763 describes a variation of the LNG liquefaction process using both LIN and liquefied carbon dioxide (CO₂)

as refrigerants. While CO₂ is itself a greenhouse gas, it is less likely that liquefied CO₂ will share storage or transport facilities with LNG or other greenhouse gases and so contamination is unlikely. However, the LIN may be similarly contaminated as described above and should be decontaminated prior to venting of the resulting GAN streams. In addition, the LNG liquefaction system may be supplemented by pre-chilling of the natural gas with a propane, mixed component or other closed refrigeration cycle in addition to the once-through refrigeration provided by vaporization of the LIN. In these cases, decontamination of the gaseous nitrogen may still be required prior to venting the GAN. What is needed is a method of using LIN as a coolant to produce LNG, where if the LIN and the LNG use common storage facilities, any greenhouse gas present in the LIN can be efficiently removed.

SUMMARY OF THE INVENTION

[0008] The invention provides a liquefied natural gas production system. A natural gas stream is supplied from a supply of natural gas. A refrigerant stream is supplied from a refrigerant supply. At least one heat exchanger exchanges heat between the refrigerant stream and the natural gas stream to at least partially vaporize the refrigerant stream and at least partially condense the natural gas stream. A natural gas compressor compresses the natural gas stream to a pressure of at least 135 bara to form a compressed natural gas stream. A natural gas cooler cools the compressed natural gas stream after being compressed by the natural gas compressor. A natural gas expander expands the compressed natural gas to a pressure less than 200 bara, but no greater than the pressure to which the natural gas compressor compresses the natural gas stream, after being cooled by the natural gas cooler. The natural gas expander is connected to the at least one heat exchanger to supply natural gas thereto.

[0009] The invention also provides a method of producing liquefied natural gas (LNG). A natural gas stream is supplied from a supply of natural gas. A refrigerant stream is provided from a refrigerant supply. The natural gas stream and the liquefied nitrogen stream are passed through a first heat exchanger that exchanges heat between the refrigerant stream and the natural gas stream to at least partially vaporize the refrigerant stream and at least partially condense the natural gas stream. The natural gas stream is compressed in a natural gas compressor to a pressure of at least 135 bara to form a compressed natural gas stream. The compressed natural gas stream is cooled in a natural gas cooler after being compressed by the natural gas compressor. After being cooled by the natural gas cooler, the compressed natural gas stream is expanded, in a natural gas expander, to a pressure less than 200 bara, but no greater than the pressure to which the natural gas compressor compresses the natural gas

stream. Natural gas is supplied from the natural gas cooler to the at least one heat exchanger to be at least partially condensed therein.

[0010] The invention further provides a method of removing greenhouse gas contaminants in a liquid nitrogen stream used to liquefy a natural gas stream. The natural gas stream is compressed in a natural gas compressor to a pressure of at least 135 bara to form a compressed natural gas stream. The compressed natural gas stream is cooled in a natural gas cooler after being compressed by the natural gas compressor. After being cooled by the natural gas cooler, the compressed natural gas stream is expanded in a natural gas expander to a pressure less than 200 bara, but no greater than the pressure to which the natural gas compressor compresses the natural gas stream. The natural gas stream and the liquefied nitrogen stream are passed through a first heat exchanger that exchanges heat between the liquefied nitrogen stream and the natural gas stream to at least partially vaporize the liquefied nitrogen stream and at least partially condense the natural gas stream. The liquefied nitrogen stream is circulated through the first heat exchanger at least three times. A pressure of the at least partially vaporized nitrogen stream is reduced using at least one expander service. A greenhouse gas removal unit is provided that includes a distillation column and heat pump condenser and reboiler system. The pressure and condensing temperature of an overhead stream of the distillation column is increased. The overhead stream of the distillation column overhead stream and a bottoms stream of the distillation column are cross-exchanged to affect both an overhead condenser duty and a bottom reboiler duty of the distillation column. The pressure of the distillation column overhead stream after the cross-exchanging step to produce a reduced-pressure distillation column overhead stream is reduced. The reduced-pressure distillation column overhead stream is separated to produce a first separator overhead stream. The first separator overhead stream is gaseous nitrogen that exits the greenhouse gas removal unit having greenhouse gases removed therefrom. The first separator overhead stream is vented to atmosphere.

BRIEF DESCRIPTION OF THE FIGURES

[0011] **Figure 1** is a schematic diagram of a system to liquefy natural gas to form LNG using liquid nitrogen as the sole refrigerant;

[0012] **Figure 2** is a schematic diagram of a system to liquefy natural gas to form LNG using liquid nitrogen as the sole refrigerant;

[0013] **Figure 3** is a schematic diagram of a system to liquefy natural gas to form LNG

using liquid nitrogen as the sole refrigerant;

[0014] **Figure 4** is a schematic diagram of a system to liquefy natural gas to form LNG using liquid nitrogen as the sole refrigerant;

[0015] **Figure 5** is a schematic diagram of a system to liquefy natural gas to form LNG
5 using liquid nitrogen as the sole refrigerant;

[0016] **Figure 6** is a schematic diagram of a system to liquefy natural gas to form LNG using liquid nitrogen as the sole refrigerant;

[0017] **Figure 7** is a schematic diagram of a system to liquefy natural gas to form LNG using liquid nitrogen as the sole refrigerant;

10 [0018] **Figure 8** is a schematic diagram of a system to liquefy natural gas to form LNG using liquid nitrogen as the sole refrigerant;

[0019] **Figure 9** is a schematic diagram of a supplemental refrigeration system;

[0020] **Figure 10** is a flowchart of a method of liquefying natural gas to form LNG; and

[0021] **Figure 11** is a flowchart of a method of removing greenhouse gas contaminants in
15 a liquid nitrogen stream used to liquefy a natural gas stream.

DETAILED DESCRIPTION

[0022] Various specific embodiments and versions of the present invention will now be described, including preferred embodiments and definitions that are adopted herein. While the following detailed description gives specific preferred embodiments, those skilled in the art
20 will appreciate that these embodiments are exemplary only, and that the present invention can be practiced in other ways. Any reference to the “invention” may refer to one or more, but not necessarily all, of the embodiments defined by the claims. The use of headings is for purposes of convenience only and does not limit the scope of the present invention. For purposes of clarity and brevity, similar reference numbers in the several Figures represent similar items,
25 steps, or structures and may not be described in detail in every Figure.

[0023] All numerical values within the detailed description and the claims herein are modified by “about” or “approximately” the indicated value, and take into account experimental error and variations that would be expected by a person having ordinary skill in the art.

30 [0024] As used herein, the term "compressor" means a machine that increases the pressure

of a gas by the application of work. A "compressor" or "refrigerant compressor" includes any unit, device, or apparatus able to increase the pressure of a gas stream. This includes compressors having a single compression process or step, or compressors having multi-stage compressions or steps, or more particularly multi-stage compressors within a single casing or shell. Evaporated streams to be compressed can be provided to a compressor at different pressures. Some stages or steps of a cooling process may involve two or more compressors in parallel, series, or both. The present invention is not limited by the type or arrangement or layout of the compressor or compressors, particularly in any refrigerant circuit.

[0025] As used herein, "cooling" broadly refers to lowering and/or dropping a temperature and/or internal energy of a substance by any suitable, desired, or required amount. Cooling may include a temperature drop of at least about 1 °C, at least about 5 °C, at least about 10 °C, at least about 15 °C, at least about 25 °C, at least about 35 °C, or least about 50 °C, or at least about 75 °C, or at least about 85 °C, or at least about 95 °C, or at least about 100 °C. The cooling may use any suitable heat sink, such as steam generation, hot water heating, cooling water, air, refrigerant, other process streams (integration), and combinations thereof. One or more sources of cooling may be combined and/or cascaded to reach a desired outlet temperature. The cooling step may use a cooling unit with any suitable device and/or equipment. According to some embodiments, cooling may include indirect heat exchange, such as with one or more heat exchangers. In the alternative, the cooling may use evaporative (heat of vaporization) cooling and/or direct heat exchange, such as a liquid sprayed directly into a process stream.

[0026] As used herein, the term "expansion device" refers to one or more devices suitable for reducing the pressure of a fluid in a line (for example, a liquid stream, a vapor stream, or a multiphase stream containing both liquid and vapor). Unless a particular type of expansion device is specifically stated, the expansion device may be (1) at least partially by isenthalpic means, or (2) may be at least partially by isentropic means, or (3) may be a combination of both isentropic means and isenthalpic means. Suitable devices for isenthalpic expansion of natural gas are known in the art and generally include, but are not limited to, manually or automatically, actuated throttling devices such as, for example, valves, control valves, Joule-Thomson (J-T) valves, or venturi devices. Suitable devices for isentropic expansion of natural gas are known in the art and generally include equipment such as expanders or turbo expanders that extract or derive work from such expansion. Suitable devices for isentropic expansion of liquid streams are known in the art and generally include equipment such as expanders, hydraulic expanders,

liquid turbines, or turbo expanders that extract or derive work from such expansion. An example of a combination of both isentropic means and isenthalpic means may be a Joule-Thomson valve and a turbo expander in parallel, which provides the capability of using either alone or using both the J-T valve and the turbo expander simultaneously. Isenthalpic or isentropic expansion can be conducted in the all-liquid phase, all-vapor phase, or mixed phases, and can be conducted to facilitate a phase change from a vapor stream or liquid stream to a multiphase stream (a stream having both vapor and liquid phases) or to a single-phase stream different from its initial phase. In the description of the drawings herein, the reference to more than one expansion device in any drawing does not necessarily mean that each expansion device is the same type or size.

[0027] The term "gas" is used interchangeably with "vapor," and is defined as a substance or mixture of substances in the gaseous state as distinguished from the liquid or solid state. Likewise, the term "liquid" means a substance or mixture of substances in the liquid state as distinguished from the gas or solid state.

[0028] A "heat exchanger" broadly means any device capable of transferring heat energy or cold energy from one medium to another medium, such as between at least two distinct fluids. Heat exchangers include "direct heat exchangers" and "indirect heat exchangers." Thus, a heat exchanger may be of any suitable design, such as a co-current or counter-current heat exchanger, an indirect heat exchanger (e.g. a spiral wound heat exchanger or a plate-fin heat exchanger such as a brazed aluminum plate fin type), direct contact heat exchanger, shell-and-tube heat exchanger, spiral, hairpin, core, core-and-kettle, printed-circuit, double-pipe or any other type of known heat exchanger. "Heat exchanger" may also refer to any column, tower, unit or other arrangement adapted to allow the passage of one or more streams therethrough, and to affect direct or indirect heat exchange between one or more lines of refrigerant, and one or more feed streams.

[0029] As used herein, the term "indirect heat exchange" means the bringing of two fluids into heat exchange relation without any physical contact or intermixing of the fluids with each other. Core-in-kettle heat exchangers and brazed aluminum plate-fin heat exchangers are examples of equipment that facilitate indirect heat exchange.

[0030] As used herein, the term "natural gas" refers to a multi-component gas obtained from a crude oil well (associated gas) or from a subterranean gas-bearing formation (non-associated gas). The composition and pressure of natural gas can vary significantly. A typical

natural gas stream contains methane (C₁) as a significant component. The natural gas stream may also contain ethane (C₂), higher molecular weight hydrocarbons, and one or more acid gases. The natural gas may also contain minor amounts of contaminants such as water, nitrogen, iron sulfide, wax, and crude oil.

5 [0031] Certain embodiments and features have been described using a set of numerical upper limits and a set of numerical lower limits. It should be appreciated that ranges from any lower limit to any upper limit are contemplated unless otherwise indicated. All numerical values are “about” or “approximately” the indicated value, and take into account experimental error and variations that would be expected by a person having ordinary skill in the art.

10 [0032] All patents, test procedures, and other documents cited in this application are fully incorporated by reference to the extent such disclosure is not inconsistent with this application and for all jurisdictions in which such incorporation is permitted.

[0033] Described herein are systems and processes relating to the natural gas liquefaction process using once-through LIN as a primary refrigerant to remove a substantial portion of residual LNG contamination of the LIN prior to venting of the gaseous hydrogen. Specific
15 embodiments of the invention include those set forth in the following paragraphs as described with reference to the Figures. While some features are described with particular reference to only one Figure (such as Figure 1, 2, or 3), they may be equally applicable to the other Figures and may be used in combination with the other Figures or the foregoing discussion.

20 [0034] Figure 1 shows a system **10** to liquefy natural gas to produce LNG using liquid nitrogen (LIN) as the sole external refrigerant. System **10** may be termed an LNG production system. A LIN stream **12** is received from a LIN supply system **14**, which may comprise one or more tankers, tanks, pipelines, or a combination thereof. The LIN supply system **14** may be in alternating service between LIN storage and LNG storage. LIN stream **12** may be
25 contaminated with a greenhouse gas such as methane, ethane, propane or other alkanes or alkenes. LIN stream **12** may be contaminated approximately 1% by volume with greenhouse gases, although the level of contamination may vary based on the methods used to empty and purge the LIN supply system before switching between LIN storage and LNG storage. LIN stream **12** is supplied at or near atmospheric pressure at a temperature of about -196 °C, which
30 is near the atmospheric boiling point of nearly pure nitrogen. The LIN stream **12** is sent through a LIN pump **16**, which increases the pressure of the LIN between approximately 20 bara and 200 bara with a preferred pressure of about 90 bara. This pumping process may increase the

temperature of the LIN within the LIN stream **12**, but it is expected the LIN will remain substantially in liquid form. The pressurized LIN stream **18** then flows through a series of heat exchangers and expanders to remove heat from the incoming natural gas supply **20** to condense the natural gas to LNG. Still referring to Figure 1, the pressurized LIN stream **18** flows through a first heat exchanger **22** where it cools a natural gas stream **24**. The pressurized LIN stream **18** then flows a first time through a second heat exchanger **26** where it again cools the natural gas stream.

[0035] After the LIN passes through the first heat exchanger **22** and the second heat exchanger **26**, it is expected that the LIN and any greenhouse gas contaminants will be fully vaporized to form a contaminated gaseous nitrogen (cGAN) stream **27**. As the gaseous nitrogen is processed as further described, it may not be fully vaporized even though it is described herein as gaseous nitrogen or cGAN. For the sake of simplicity any mixture of gaseous and partially condensed nitrogen is still noted as cGAN or gaseous nitrogen.

[0036] The cGAN stream **27** is directed to a first expander **28**. The output stream of the first expander **28**, which is an expanded cGAN stream **29**, is directed a greenhouse gas removal unit **30**. The pressure of the expanded cGAN stream **29** may range from 5 bara to 30 bara based largely upon the phase envelope of the cGAN mixture, which typically is a mixture of nitrogen, methane, ethane, propane and other potential greenhouse gases. In one aspect, the pressure of the expanded cGAN stream **29** is between 19 and 20 bara and the temperature of the expanded cGAN stream **29** is about -153 degrees Celsius. However, the pressure of the expanded cGAN stream may be as low as 1 bara if alternative removal technologies, such as adsorption, absorption, or catalytic processes are used.

[0037] The greenhouse gas removal unit **30** may be required to produce a GAN stream with greenhouse gas content of less than 500 ppm, or less than 200 ppm, or less than 100 ppm, or less than 50 ppm, or less than 20 ppm. The greenhouse gas removal unit **30** may be required to produce a greenhouse gas product stream with a nitrogen content of less than 80%, or less than 50%, or less than 20%, or less than 10%, or less than 5%.

[0038] The greenhouse gas removal unit **30** may include a partially refluxed and partially re-boiled distillation column **32**. The distillation column **32** separates the gaseous nitrogen from the greenhouse gas contaminants based on the differences in vaporization temperatures of nitrogen and the greenhouse gases. The outputs of the distillation column are an overhead stream **34**, which is a decontaminated gaseous nitrogen stream, and a bottoms product, which

is a greenhouse gas product stream **36**. Side-re-boilers, side condensers and intermediate draws (not shown) may be included to remove products at other locations in the distillation column **32**.

[0039] The greenhouse gas removal unit **30** may include an overhead condenser associated with the distillation column **32** and having a cooling duty supplied by heat exchange with LIN, GAN, cGAN, natural gas or LNG sources from other parts of the LNG Production System, or even from a supplemental refrigeration system. Similarly, the greenhouse gas removal unit may include a bottoms reboiler associated with the distillation column **32** and having a heating duty supplied by heat exchange with LIN, GAN, cGAN, natural gas or LNG from other parts of the LNG Production System or another process external to the LNG Production System. The disadvantage of these types of arrangements is the adverse impact of the largely condensing and largely boiling-type heating requirements of the distillation column condenser and reboiler on the overall heating and cooling curves to condense the natural gas to LNG. These impacts may result in temperature pinches in the heat exchangers that diminish the effectiveness of the available LIN supply. According to the invention, the condenser and reboiler cooling and heating duties are cross-exchanged such that the cold duty available from the reboiler is used to meet the hot duty required of the condenser. To accomplish this, a heat pump condenser and reboiler system is used to increase the pressure of the distillation column overhead stream **34** such that the temperature of the compressed overhead stream is higher than the temperature of the greenhouse gas product stream **36**. Specifically, the heat pump condenser and reboiler system comprises an overhead compressor **38** that compresses and warms the overhead stream **34**, a heat pump heat exchanger **40** that cools the overhead stream and warms the greenhouse gas product stream, and a pressure reduction device **42** that reduces the pressure of the cooled overhead stream and reduces its pressure. The pressure reduction device **42** may be a Joule-Thomson valve or a turbo-expander. At this point the overhead stream has become a partially condensed overhead stream **43**. If desired, a first separator **44** may be used to separate the partially condensed overhead stream **43** to form an overhead product stream **45** and a column reflux stream **46**. The overhead product stream **45**, being the overhead product of both the distillation column **32** and the first separator **44**, is comprised of GAN substantially decontaminated of greenhouse gases such as methane, ethane, etc., and exits the greenhouse gas removal unit **30** for further heat exchange operations and venting as will be described herein. Because the column reflux stream **46** may include some greenhouse gases, the column reflux stream is sent back to the distillation column **32** for further separation steps.

[0040] The other portion of the heat pump condenser and reboiler system may include a bottoms pump **48** to deliver the greenhouse gas product stream **36** to the heat pump heat exchanger **40** at an increased pressure. After being heated in the heat pump heat exchanger **40**, the greenhouse gas product stream **36** is now partially vaporized and may be sent to a second separator **50**, which separates the partially vaporized greenhouse gas product stream to form a separated greenhouse gas product stream **54** and a column reboiler vapor stream **56**. A greenhouse gas pump **58** may be used to deliver the separated greenhouse gas product stream **54** to another location in system **10** at a required pressure. In the embodiment shown in Figure 1, the separated greenhouse gas product stream **54** is mixed with the natural gas stream **24** after the natural gas stream **24** has passed through the second heat exchanger **26** to be included in the LNG product stream of system **10**. The column reboiler stream **56**, which may include a portion of GAN, is returned to the distillation column **32** for further separation steps.

[0041] The overhead product stream **45**, which is substantially decontaminated GAN, exits the greenhouse gas removal unit **30** and passes iteratively through the second heat exchanger **26** and second and third expanders **60**, **62** to further cool the natural gas stream **24**. In Figure 1 three expanders are shown, which function as a high-pressure expander (**28**), a medium-pressure expander (**60**), and a low pressure expander (**62**), each expander reducing the pressure of the nitrogen stream respectively passing therethrough. In an embodiment the first, second, and third expanders **28**, **60**, **62** are turbo expanders. The expanders may be radial inflow turbines, partial admission axial flow turbines, full admission axial flow turbines, reciprocating engines, helical screw turbines or similar expansion devices. The expanders may be separate machines or combined into one or more machines with common outputs. The expanders may be designed to drive generators, compressors, pumps, water brakes or any similar power-consuming device to remove the energy from the system **10**. The expanders may be used to directly drive (or drive via gearboxes or other transmission devices) pumps, compressors and other machines used within the system **10**. In an embodiment, each expander is an expander service, wherein expansion may be performed by one or more individual expander devices acting in parallel or series or a combination of parallel and series operation. At least one expander or expander service is required to economically operate system **10** and generally at least two expander services are preferred. More than three expander services may also be used in this system to possibly further improve the effectiveness of the refrigeration by the available LIN supply.

[0042] After passing through the third expander **62** and the second heat exchanger **26** for

the final time, the overhead product stream **45** passes through a third heat exchanger **64** that cools the natural gas stream **24** an additional time. The overhead product stream, which as previously stated is GAN, is vented to the atmosphere at GAN vent **66** or is otherwise disposed of. If the GAN is vented, the GAN plume should be sufficiently buoyant to be widely distributed and diluted by the atmosphere prior to any significant part of the plume returning to near ground level, which may cause a potentially hazardous oxygen deficiency. Since the GAN is likely to have essentially zero relative humidity and a specific gravity only slightly less than the ambient air, embodiments should ensure GAN vent temperatures greater than the local ambient temperature to improve buoyancy and promote dispersal of the GAN plume. Those skilled in the art of vent and vent stack design are aware of alternatives to temperature to improve plume dispersal, including modifying stack height and providing a higher velocity stack exit that, as an example, may be provided by a venturi feature as part of the stack design.

[0043] The path of natural gas through system **10** will now be described. The natural gas supply **20** is received at pressure, or is compressed to a desired pressure, and then flows through various heat exchangers in series, parallel or a combination of series and parallel to be cooled by the refrigerant or refrigerants. The natural gas pressure supplied to the system **10** is typically between 20 bara and 100 bara with the upper pressure generally limited by the economic selection of heat exchange equipment. With future advances in heat exchanger design, supply pressure of 200 bara or more may be feasible. In a preferred embodiment, the natural gas supply pressure is selected at about 90 bara. Those skilled in the art are aware that increasing the natural gas supply pressure generally improves the heat transfer effectiveness within an LNG liquefaction process. As shown in Figure 1, natural gas from the natural gas supply **20** first flows through the third heat exchanger **64**. The third heat exchanger pre-chills the natural gas before entering the second heat exchanger **26**, which is the main heat exchanger of the system **10**. The third heat exchanger also warms the GAN in the overhead product stream **45** to near the incoming temperature of the natural gas stream. The third heat exchanger **64** may be eliminated from system **10** if desired.

[0044] After exiting the first heat exchanger, the natural gas stream **24** is chilled and condensed at pressure in the second heat exchanger **26**, where the natural gas stream is cooled by several passes of the GAN in the overhead product stream **45**. The natural gas stream **24** is merged with the separated greenhouse gas product stream **54**, which as previously described is greenhouse gases with substantially all GAN removed therefrom. The natural gas stream **24** then passes through the first heat exchanger **22**, which uses LIN from the LIN supply system

14 to cool the natural gas stream **24**. The first heat exchanger **22** may be eliminated from system **10** if desired. At this point the natural gas in the natural gas stream **24** has been substantially completely liquefied to form LNG. The condensed high pressure LNG is reduced to near ambient pressure through a pressure reduction device **68** that may comprise a single-
5 phase or multi-phase hydraulic turbine, Joule-Thomson valve or a similar pressure reduction device. Figure 1 shows the use of a hydraulic turbine. The LNG stream **70** exiting the pressure reduction device **68** may then be stored in tankage, delivered to a land-based or water-borne tanker, delivered to a suitable cryogenic pipeline or similar conveyance to ultimately deliver the LNG to a market location.

10 **[0045]** The distillation column **32** of the greenhouse gas removal unit **30** may be controlled to meet required specifications for greenhouse gas content of the overhead product stream **45** and the nitrogen content of the greenhouse gas product stream **36** and/or the separated greenhouse gas product stream **54**. Generally, the temperature and fraction vaporized of the expanded cGAN stream **29** will affect the relative condenser and reboiler duties, with higher
15 fraction vaporized or higher temperatures of the expanded cGAN stream **29** increasing the condenser duty while decreasing the reboiler duty at the same product specifications. Lower fraction vaporized or lower temperatures of the expanded cGAN stream **29** have the opposite effects. In addition, an increase (or decrease) of the heat transfer rate within the heat pump heat exchanger **40** tends to increase (or decrease) both the condenser and reboiler duties that
20 affect the product specifications. A controller **72** to adjust both the temperature and/or fraction vaporized of the expanded cGAN stream **29** and the heat pump heat exchanger **40** heat transfer rate may be used to both balance the condenser and reboiler duties (with adjustments for the extra energy added by the overhead compressor **38**) and the product specifications of the distillation column **32**. In practice, these controls may be realized by adjusting the inlet
25 temperature of the first turbo-expander **28** and by controlling the pressure increase of the column overhead compressor **38**. Alternatively, other components of the system **10** may be controlled to achieve the same outcome.

[0046] Having described an embodiment of the invention, additional aspects will now be described. Figure 2 illustrates an LNG production system **200** similar to system **10** of Figure 1.
30 LNG production system **200** further includes a natural gas compressor **202** and a natural gas cooler **204** that are used to pressurize and cool the natural gas to an optimal pressure and temperature prior to entering the third, second, and first heat exchangers **64**, **26**, **22**. The natural gas compressor **202** and the natural gas cooler **204** may be a plurality of individual compressors

and coolers or a single compressor stage and cooler. The natural gas compressor **202** may be selected from compressor types generally known to those skilled in the art, including centrifugal, axial, screw and reciprocating type compressors. The natural gas cooler **204** may be selected from cooler types generally known to those skilled in the art, including air fin, double pipe, shell and tube, plate and frame, spiral wound, and printed circuit type heat exchangers. The natural gas supply pressure following the natural gas compressor **202** and the natural gas cooler **204** should be similar to the range noted previously (e.g. 20 – 100 bara and up to 200 bara or more as heat exchanger design advances).

[0047] Figure 3 illustrates an LNG production system **300** similar to LNG production system **200**. LNG production system **300** adds a natural gas expander **302** following the natural gas compressor **202** and the natural gas cooler **204**. The natural gas expander **302** may be any type of expander, such as a turbo-expander or another type of pressure reduction device such as a J-T valve. In LNG production system **300**, the discharge pressure of the natural gas compressor **202** may be increased above the range indicated by an economic selection of heat exchange equipment and the excess pressure reduced through the natural gas expander **302**. The combination of compression, cooling and expansion further pre-chills the natural gas supply prior to entering the third heat exchanger **64** or the second heat exchanger **26**. For example, the natural gas compressor **202** may compress the natural gas supply to a pressure greater than 135 bara and the natural gas expander may reduce the pressure of the natural gas to less than 200 bara, but in no event greater than the pressure to which the natural gas compresses the natural gas. In an embodiment, the natural gas stream is compressed by the natural gas compressor to a pressure greater than 200 bara. In another embodiment, the natural gas expander expands the natural gas stream to a pressure less than 135 bara. However, the location of the third heat exchanger **64** downstream of the natural gas expander **302** (as shown in Figure 3) significantly lowers the temperature of the GAN passing through the third heat exchanger **64**. The temperature of the GAN so cooled may be well below the local ambient temperature, thereby complicating efforts to safely and/or efficiently vent the GAN to the atmosphere.

[0048] Figure 4 illustrates an LNG production system **400** similar to LNG production system **300**. In LNG production system **400**, the third heat exchanger **64** is located so that natural gas from the natural gas supply **20** enters the third heat exchanger before passing through the natural gas compressor **202**. Placing the third heat exchanger **64** as shown in Figure 4 reduces the temperature of the natural gas entering the natural gas compressor **202** and so

reduces the pressure and power required by the natural gas compressor **202**. Additionally, the GAN vent **66** temperature is restored to be similar to the embodiment shown in Figure 1.

[0049] Figure 5 depicts an LNG production system **500** similar to LNG production systems **300** and **400**. In LNG production system **500**, the third heat exchanger **64** is located between the natural gas compressor **202** and the natural gas cooler **204**. This placement sacrifices the potential power reduction of the natural gas compressor **202** provided by LNG production system **400** (Figure 4) but results in a large increase to the GAN vent temperature to significantly improve GAN plume buoyancy and dispersal. This placement also reduces the cooling duty of the natural gas cooler **204** and so reduces the size, capital cost and operating cost of the natural gas cooler **204** and its related support systems (e.g. cooling water, air-fin power supply, etc.).

[0050] Figure 6 illustrates an LNG production system **600** similar to LNG production system **400**. In LNG production system **600**, the GAN in the overhead product stream **45** is subjected to additional heat pump refrigeration in a heat pump system as the overhead product stream circulates through the second heat exchanger **26** and the second and third expanders **60**, **62**. As depicted in Figure 6, the heat pump system includes a nitrogen compressor **602**, a nitrogen cooler **604**, and a feed-effluent heat exchanger **606** are added upstream of the third expander **62**. The addition of this combination of the nitrogen compressor **602**, the nitrogen cooler **604**, and the feed-effluent heat exchanger **606** increases the pressure available at the inlet of the third expander **62** with only a small increase to the inlet temperature of the third expander **62**. This combination of the nitrogen compressor **602**, the nitrogen cooler **604**, and feed-effluent heat exchanger **606** increases the power produced by the third expander **62** and increases the heat removed from the GAN in the overhead product stream **45** flowing through this portion of the LNG production system **600**. This combination also results in a lower GAN temperature re-entering the second heat exchanger **26** compared to Figure 4, and also results in an increase of the effectiveness of the available LIN supply in the LNG production system **600**.

[0051] Figure 7 depicts an LNG production system **700**, similar to LNG production system **10**, in which an alternative use of the separated greenhouse gas product stream **54** is shown. Instead of mixing the separated greenhouse gas product stream **54** with the natural gas stream **24**, as shown in Figure 1, the separated greenhouse gas product stream **54** may be used as a fuel gas supply **702** after being pumped to the required pressure in the greenhouse gas pump **58** and re-vaporized through one or more of the heat exchangers. As an example, Figure 7 shows the separated greenhouse gas product stream **54** passing through the third heat exchanger

64. Other uses of the separated greenhouse gas product stream are possible and generally known to those skilled in the art.

[0052] Figure 8 depicts an LNG production system **800** similar to LNG production systems **10, 200, 400, and 600**. In LNG production system **800**, the very dry composition of the GAN in the overhead product stream **45** is used to effect further cooling within the LNG production system **800**. Psychometric cooling of the GAN in the overhead product stream **45** can reduce the temperature of that stream to within a few degrees Celsius of the freezing temperature of water, or about 2-5 degrees Celsius by the addition and saturation of water **802** to the overhead product stream **45** after the overhead product stream **45** has passed through the third heat exchanger **64** as shown in Figure 8. The now wet or saturated GAN stream **804**, with its lower temperature, may be re-routed through the third heat exchanger **64** (or other appropriate heat exchanger) to further pre-chill the incoming natural gas stream. Those skilled in the art will recognize that many techniques are available to effect this psychometric cooling, including spraying of water via fogging or other nozzles into the flowing GAN stream, or passing the GAN and water over trays, packing material, or other heat and mass transfer device(s) within a tower, column or cooling tower-like device. Alternatively, cooling water or another heat transfer fluid may be further chilled via such psychometric cooling by passing the very dry GAN through a cooling tower-like device. This further chilled cooling water may then be used to pre-chill other streams within the LNG production system **800** to enhance the effectiveness of the available LIN supply. Finally, adding water vapor to the otherwise very dry gaseous nitrogen reduces the specific gravity of the GAN and improves GAN plume buoyancy and dispersal if the GAN is vented at **806**.

[0053] The included figures each depict a greenhouse gas removal unit **30** as part of an LNG production system **10, 200, 300, 400, 500, 600, 700, 800**, where the greenhouse gas removal unit is depicted as based on distillation technologies and methodologies. Alternative systems and methods may be used to remove the greenhouse gas contaminants of the LIN supply **14**. These alternative methods are not shown in detail but may include: adsorption processes including pressure-swing, temperature-swing or a combination of pressure and temperature-swing adsorption; bulk adsorption or absorption such as by an activated carbon bed; or catalytic processes.

[0054] The heat exchangers in the disclosed embodiments have been described as being cooled by solely by LIN, GAN, or a combination thereof, sourced from the LIN supply **14**. However, it is possible to increase the cooling capability of any of the disclosed heat

exchangers by employing a supplemental refrigeration system having no fluid connection with the natural gas or nitrogen in the LNG production system **10**. The refrigerant used by the supplemental refrigeration system may comprise any suitable hydrocarbon gas (e.g., alkenes or alkanes such as methane, ethane, ethylene, propane, etc.), inert gases (e.g., nitrogen, helium, argon, etc.), or other refrigerants known to those skilled in the art. Figure 9 depicts a supplemental refrigeration system **900** providing additional cooling capability to the heat pump heat exchanger **40** of the greenhouse gas removal unit **30** using an argon stream **902** as the refrigerant. The supplemental refrigeration system **900** includes a supplemental compressor **904** that compresses the argon stream **902** to a suitable pressure. The argon stream **902** then passes through a supplemental heat exchanger, shown in Figure 9 as a cooler **906**. The argon stream **902** then passes through a supplemental pressure reduction device **908** such as a Joule-Thompson valve or an expander. The argon stream **902** then passes through the heat pump heat exchanger **40** to supplement the cooling efforts of the GAN in the distillation column overhead stream **34** to cool the greenhouse gases in the greenhouse gas product stream **36**. The argon stream **902** then recirculates through the supplemental compressor **904** as previously described.

[0055] A supplemental refrigeration system similar to supplemental refrigeration system **900** may be used to increase the cooling effectiveness of other heat exchangers disclosed herein, such as the first heat exchanger **22**, second heat exchanger **26**, third heat exchanger **64**, and/or the feed-effluent heat exchanger **606**. Further, while the refrigerant of the supplemental refrigeration system **900** is not fluidly connected to the LNG production system **10**, in some embodiments the refrigerant may be sourced from natural gas streams and/or nitrogen streams of the LNG production system. Further, the supplemental heat exchanger **904** may exchange heat (or cold) with gaseous streams and/or liquid streams of the LNG production system **10**, such as the LIN stream **12**, natural gas stream **24**, cGAN stream **27**, or the greenhouse gas product stream **36**.

[0056] Figure **10** illustrates a method **1000** of producing LNG according to disclosed aspects. At block **1002** a natural gas stream is provided from a supply of natural gas. At block **1004** a refrigerant stream, such as a LIN stream, is provided from a supply of refrigerant. At block **1006** the natural gas stream and the liquefied nitrogen stream are passed through a first heat exchanger that exchanges heat between the refrigerant stream and the natural gas stream to at least partially vaporize the refrigerant stream and at least partially condense the natural gas stream. At block **1008** the natural gas stream is compressed in a natural gas compressor to

a pressure of at least 135 bara to form a compressed natural gas stream. At block **1010** the compressed natural gas stream is cooled in a natural gas cooler. After being cooled by the natural gas cooler, at block **1012** the compressed natural gas stream is expanded in a natural gas expander to a pressure less than 200 bara, but no greater than the pressure to which the natural gas compressor compresses the natural gas stream. At block **1014** natural gas from the natural gas cooler is supplied to the at least one heat exchanger to be at least partially condensed therein.

[0057] Figure 11 illustrates a method **1100** of removing greenhouse gas contaminants in a liquid nitrogen stream used to liquefy a natural gas stream. At block **1102** the natural gas stream is compressed in a natural gas compressor to a pressure of at least 135 bara to form a compressed natural gas stream. At block **1104** the compressed natural gas stream is cooled in a natural gas cooler. After being cooled by the natural gas cooler, at block **1106** the compressed natural gas stream is expanded in a natural gas expander to a pressure less than 200 bara, but no greater than the pressure to which the natural gas compressor compresses the natural gas stream. At block **1108** the natural gas stream and the liquefied nitrogen stream are passed through a first heat exchanger that exchanges heat between the liquefied nitrogen stream and the natural gas stream to at least partially vaporize the liquefied nitrogen stream and at least partially condense the natural gas stream. The liquefied nitrogen stream is circulated through the first heat exchanger at least one time, and preferably at least three times. At block **1110** the pressure of the at least partially vaporized nitrogen stream may be reduced, preferably using at least one expander service. At block **1112** a greenhouse gas removal unit is provided that includes a distillation column and heat pump condenser and reboiler system. At block **1114** the pressure and condensing temperature of an overhead stream of the distillation column is increased. At block **1116** the overhead stream of the distillation column overhead stream and a bottoms stream of the distillation column are cross-exchanged to affect both the overhead condenser duty and the bottom reboiler duty of the distillation column. At block **1118** the pressure of the distillation column overhead stream is reduced after the cross-exchanging step to produce a reduced-pressure distillation column overhead stream. At block **1120** the reduced-pressure distillation column overhead stream is separated to produce a first separator overhead stream of gaseous nitrogen that exits the greenhouse gas removal unit having greenhouse gases removed therefrom. At block **1122** the first separator overhead stream is vented to atmosphere.

[0058] The embodiments and aspects provide an effective method of removing greenhouse gas contaminants from an LIN stream used to liquefy natural gas. An advantage of the

invention is that the heat pump system in the greenhouse gas removal unit **30** removes the necessity of external heating or cooling sources to separate the greenhouse gases from the nitrogen.

[0059] Another advantage of the efficient removal of greenhouse gases from LIN is that
5 LIN storage facilities can more economically be used as LNG storage facilities, thereby reducing the areal footprint of natural gas processing facilities.

[0060] Still another advantage is that the gaseous nitrogen may be vented without the unwanted release of greenhouse gases into the atmosphere.

[0061] Although exemplary embodiments discussed herein in with respect to Figures 1-11
10 are directed to producing LNG using LIN as primary coolant, a person of ordinary skill in the art would understand that the principles apply to other cooling methods and coolants. For example, the disclosed methods and systems may be used where there is no common storage for LNG and LIN, and it is desired simply to purify a coolant used in LNG or other liquefaction methods.

[0062] Embodiments of the invention may include any combinations of the methods and
15 systems shown in the following numbered paragraphs. This is not to be considered a complete listing of all possible embodiments, as any number of variations can be envisioned from the description above.

1. A liquefied natural gas production system, the system comprising:
20 a natural gas stream from a supply of natural gas;
a refrigerant stream from a refrigerant supply;
at least one heat exchanger that exchanges heat between the refrigerant stream and the natural gas stream to at least partially vaporize the refrigerant stream and at least partially condense the natural gas stream;
25 a natural gas compressor that compresses the natural gas stream to a pressure of at least 135 bara to form a compressed natural gas stream;
a natural gas cooler that cools the compressed natural gas stream after being compressed by the natural gas compressor; and
a natural gas expander that expands the compressed natural gas to a pressure less than
30 200 bara, but no greater than the pressure to which the natural gas compressor compresses the

natural gas stream, after being cooled by the natural gas cooler;

wherein the natural gas expander is connected to the at least one heat exchanger to supply natural gas thereto.

2. The liquefied natural gas production system according to paragraph 1, wherein the
5 natural gas compressor compresses the natural gas stream to a pressure greater than 200 bara.

3. The liquefied natural gas production system according to paragraphs 1 or 2, wherein the natural gas expander expands the compressed natural gas stream to a pressure less than 135 bara.

4. The liquefied natural gas production system according to any of paragraphs 1-3,
10 wherein the at least one heat exchanger comprises a first heat exchanger, and further comprising a second heat exchanger that cools the natural gas stream prior to the natural gas stream being compressed in the natural gas compressor.

5. The liquefied natural gas production system according to paragraph 4, wherein the refrigerant stream is used to cool the natural gas stream in the second heat exchanger.

6. The liquefied natural gas production system according to any of paragraphs 1-5,
15 wherein the at least one heat exchanger comprises a first heat exchanger, and further comprising a second heat exchanger that cools the compressed natural gas stream prior to the compressed natural gas stream being cooled in the natural gas cooler.

7. The liquefied natural gas production system according to any of paragraphs 1-6,
20 wherein the refrigerant stream comprises a liquefied nitrogen stream, and wherein the at least one heat exchanger at least partially vaporizes the nitrogen stream.

8. The liquefied natural gas production system according to paragraph 7, further comprising a greenhouse gas removal unit configured to remove greenhouse gas from the at least partially vaporized nitrogen stream.

9. The liquefied natural gas production system according to paragraph 8, wherein the
25 greenhouse gas removal unit comprises a distillation column having a heat pump condenser and reboiler system, and further comprising at least one expander service that reduces the pressure of the at least partially vaporized nitrogen stream, wherein an inlet stream of the distillation column is an outlet stream of a first of the at least one expander service.

10. The liquefied natural gas production system according to paragraph 9, further
30 comprising a heat pump system through which the at least partially vaporized nitrogen stream

flows after flowing through a first of the at least one expander service.

11. The liquefied natural gas production system according to paragraph 10, wherein the heat pump system includes a heat pump compressor, a heat pump cooler, and a feed-effluent heat exchanger.

5 12. The liquefied natural gas production system according to any of paragraphs 1-9, further comprising a psychometric heat exchanger that uses the at least partially vaporized nitrogen stream to pre-chill the natural gas stream prior to the natural gas stream entering the at least one heat exchanger.

13. The liquefied natural gas production system according to any of paragraphs 1-12,
10 wherein the natural gas cooler is configured to cool the compressed natural gas stream to near ambient temperature after being compressed by the natural gas compressor.

14. A method of producing liquefied natural gas (LNG), the method comprising:

providing a natural gas stream from a supply of natural gas;

providing a refrigerant stream from a refrigerant supply;

15 passing the natural gas stream and the liquefied nitrogen stream through a first heat exchanger that exchanges heat between the refrigerant stream and the natural gas stream to at least partially vaporize the refrigerant stream and at least partially condense the natural gas stream;

compressing the natural gas stream in a natural gas compressor to a pressure of at least
20 135 bara to form a compressed natural gas stream;

cooling, in a natural gas cooler, the compressed natural gas stream after being compressed by the natural gas compressor; and

expanding, in a natural gas expander, the compressed natural gas to a pressure less than
200 bara, but no greater than the pressure to which the natural gas compressor compresses the
25 natural gas stream, after being cooled by the natural gas cooler; and

supplying natural gas from the natural gas cooler to the at least one heat exchanger to be at least partially condensed therein.

15. The method according to paragraph 14, wherein the natural gas compressor compresses the natural gas stream to a pressure greater than 200 bara.

30 16. The method according to paragraphs 14 or 15, wherein the natural gas expander

expands the compressed natural gas stream to a pressure less than 135 bara.

17. The method according to any of paragraphs 14-16, wherein the at least one heat exchanger comprises a first heat exchanger, the method further comprising cooling, in a second heat exchanger, the natural gas stream prior to compressing the natural gas stream in the natural gas compressor.

18. The method according to paragraph 17, wherein the refrigerant stream is used to cool the natural gas stream in the second heat exchanger.

19. The method according to any of paragraphs 14-18, wherein the at least one heat exchanger comprises a first heat exchanger, the method further comprising cooling, in a second heat exchanger, the compressed natural gas stream prior to cooling the compressed natural gas stream being cooled in the natural gas cooler.

20. The method according to any of paragraphs 14-19, wherein the refrigerant stream comprises a liquefied nitrogen stream, and wherein the at least one heat exchanger at least partially vaporizes the nitrogen stream.

21. The method according to paragraph 20, further comprising removing greenhouse gas from the at least partially vaporized nitrogen stream using a greenhouse gas removal unit.

22. The method according to paragraph 21, wherein the greenhouse gas removal unit comprises a distillation column and a heat pump condenser and reboiler system, and further comprising:

increasing a pressure and condensing temperature of an overhead stream of the distillation column;

cross-exchanging the overhead stream of the distillation column and a bottoms stream of the distillation column to affect both an overhead condenser duty and a bottom reboiler duty of the distillation column;

reducing a pressure of the distillation column overhead stream after the cross-exchanging step to produce a reduced-pressure distillation column overhead stream; and

separating the reduced-pressure distillation column overhead stream to produce a first separator overhead stream, wherein the first separator overhead stream is gaseous nitrogen that exits the greenhouse gas removal unit having greenhouse gases removed therefrom.

23. The method according to paragraph 22, further comprising flowing the at least partially

vaporized nitrogen stream through a heat pump system after flowing through a first of the at least one expander service.

24. The method according to any of paragraphs 14-23, wherein the natural gas cooler cools the compressed natural gas stream to near ambient temperature after being compressed by the natural gas compressor.

25. A method of removing greenhouse gas contaminants in a liquid nitrogen stream used to liquefy a natural gas stream, comprising:

compressing the natural gas stream in a natural gas compressor to a pressure of at least 135 bara to form a compressed natural gas stream;

cooling, in a natural gas cooler, the compressed natural gas stream to near ambient temperature after being compressed by the natural gas compressor; and

expanding, in a natural gas expander, the compressed natural gas to a pressure less than 200 bara, but no greater than the pressure to which the natural gas compressor compresses the natural gas stream, after being cooled by the natural gas cooler;

passing the natural gas stream and the liquefied nitrogen stream through a first heat exchanger that exchanges heat between the liquefied nitrogen stream and the natural gas stream to at least partially vaporize the liquefied nitrogen stream and at least partially condense the natural gas stream, wherein the liquefied nitrogen stream is circulated through the first heat exchanger at least three times;

reducing a pressure of the at least partially vaporized nitrogen stream using at least one expander service;

providing a greenhouse gas removal unit that includes a distillation column and heat pump condenser and reboiler system;

increasing a pressure and condensing temperature of an overhead stream of the distillation column;

cross-exchanging the overhead stream of the distillation column overhead stream and a bottoms stream of the distillation column to affect both an overhead condenser duty and a bottom reboiler duty of the distillation column;

reducing a pressure of the distillation column overhead stream after the cross-exchanging step to produce a reduced-pressure distillation column overhead stream;

separating the reduced-pressure distillation column overhead stream to produce a first separator overhead stream, wherein the first separator overhead stream is gaseous nitrogen that exits the greenhouse gas removal unit having greenhouse gases removed therefrom; and

venting the first separator overhead stream to atmosphere.

- 5 [0063] While the foregoing is directed to embodiments of the present invention, other and further embodiments of the invention may be devised without departing from the basic scope thereof, and the scope thereof is determined by the claims that follow.

CLAIMS:

1. A liquefied natural gas production system, the system comprising:
 - a natural gas stream from a supply of natural gas;
 - a refrigerant stream from a refrigerant supply;
 - at least one heat exchanger that exchanges heat between the refrigerant stream and the natural gas stream to at least partially vaporize the refrigerant stream and at least partially condense the natural gas stream;
 - a natural gas compressor that compresses the natural gas stream to a pressure of at least 135 bara to form a compressed natural gas stream;
 - a natural gas cooler that cools the compressed natural gas stream after being compressed by the natural gas compressor, wherein the natural gas cooler is configured to cool the compressed natural gas stream to near ambient temperature; and
 - a natural gas expander that expands the compressed natural gas to a pressure less than 200 bara, but no greater than the pressure to which the natural gas compressor compresses the natural gas stream, after being cooled by the natural gas cooler;
 - wherein the natural gas expander is connected to the at least one heat exchanger to supply natural gas thereto; and
 - wherein the at least one heat exchanger comprises a first heat exchanger, and further comprising a second heat exchanger that cools the natural gas stream prior to the natural gas stream being compressed in the natural gas compressor, or
 - the compressed natural gas stream prior to the compressed natural gas stream being cooled in the natural gas cooler.
2. The liquefied natural gas production system of claim 1, wherein the natural gas compressor compresses the natural gas stream to a pressure greater than 200 bara.
3. The liquefied natural gas production system of claim 1, wherein the natural gas expander expands the compressed natural gas stream to a pressure less than 135 bara.
4. The liquefied natural gas production system of claim 1, wherein the refrigerant stream is used to cool the natural gas stream in the second heat exchanger.

5. The liquefied natural gas production system of claim 1, wherein the refrigerant stream comprises a liquefied nitrogen stream, and wherein the at least one heat exchanger at least partially vaporizes the nitrogen stream to create an at least partially vaporized nitrogen stream.
6. The liquefied natural gas production system of claim 5, further comprising a greenhouse gas removal unit configured to remove greenhouse gas from the at least partially vaporized nitrogen stream.
7. The liquefied natural gas production system of claim 6, wherein the greenhouse gas removal unit comprises a distillation column having a heat pump condenser and reboiler system, and further comprising at least one expander service that reduces the pressure of the at least partially vaporized nitrogen stream, wherein an inlet stream of the distillation column is an outlet stream of a first of the at least one expander service.
8. The liquefied natural gas production system of claim 7, further comprising a heat pump system through which the at least partially vaporized nitrogen stream flows after flowing through a first of the at least one expander service.
9. The liquefied natural gas production system of claim 8, wherein the heat pump system includes a heat pump compressor, a heat pump cooler, and a feed-effluent heat exchanger.
10. The liquefied natural gas production system of claim 7, further comprising a psychrometric heat exchanger that uses the at least partially vaporized nitrogen stream to pre-chill the natural gas stream prior to the natural gas stream entering the at least one heat exchanger.
11. A method of producing liquefied natural gas (LNG), the method comprising:
 - providing a natural gas stream from a supply of natural gas;
 - providing a refrigerant stream from a refrigerant supply;
 - passing the natural gas stream and the refrigerant stream through a first heat exchanger that exchanges heat between the refrigerant stream and the natural gas stream to at least partially vaporize the refrigerant stream and at least partially condense the natural gas stream;
 - compressing the natural gas stream in a natural gas compressor to a pressure of at least 135 bara to form a compressed natural gas stream;

cooling, in a natural gas cooler, the compressed natural gas stream after being compressed by the natural gas compressor, wherein the natural gas cooler cools the compressed natural gas stream to near ambient temperature;

expanding, in a natural gas expander, the compressed natural gas stream to a pressure less than 200 bara, but no greater than the pressure to which the natural gas compressor compresses the natural gas stream, after being cooled by the natural gas cooler; and

supplying natural gas from the natural gas cooler to the at least one heat exchanger to be at least partially condensed therein;

wherein the at least one heat exchanger comprises a first heat exchanger, and further comprising a second heat exchanger that cools the natural gas stream prior to the natural gas stream being compressed in the natural gas compressor, or

the compressed natural gas stream prior to the compressed natural gas stream being cooled in the natural gas cooler.

12. The method of claim 11, wherein the natural gas compressor compresses the natural gas stream to a pressure greater than 200 bara.

13. The method of claim 11, wherein the natural gas expander expands the compressed natural gas stream to a pressure less than 135 bara.

14. The method of claim 11, wherein the refrigerant stream is used to cool the natural gas stream in the second heat exchanger.

15. The method of claim 11, wherein the refrigerant stream comprises a liquefied nitrogen stream, and wherein the at least one heat exchanger at least partially vaporizes the nitrogen stream to create an at least partially vaporized nitrogen stream.

16. The method of claim 15, further comprising removing greenhouse gas from the at least partially vaporized nitrogen stream using a greenhouse gas removal unit.

17. The method of claim 16, wherein the greenhouse gas removal unit comprises a distillation column and a heat pump condenser and reboiler system, and further comprising:

increasing a pressure and condensing temperature of an overhead stream of the distillation column;

after increasing the pressure and condensing temperature, cross-exchanging the overhead stream of the distillation column and a bottoms stream of the distillation column to affect both an overhead condenser duty and a bottom reboiler duty of the distillation column;

reducing a pressure of the distillation column overhead stream after the cross-exchanging step to produce a reduced-pressure distillation column overhead stream; and

separating the reduced-pressure distillation column overhead stream to produce a first separator overhead stream, wherein the first separator overhead stream is gaseous nitrogen that exits the greenhouse gas removal unit having greenhouse gases removed therefrom.

18. The method of claim 17, further comprising flowing the at least partially vaporized nitrogen stream through a heat pump system after flowing through a first of the at least one expander service.

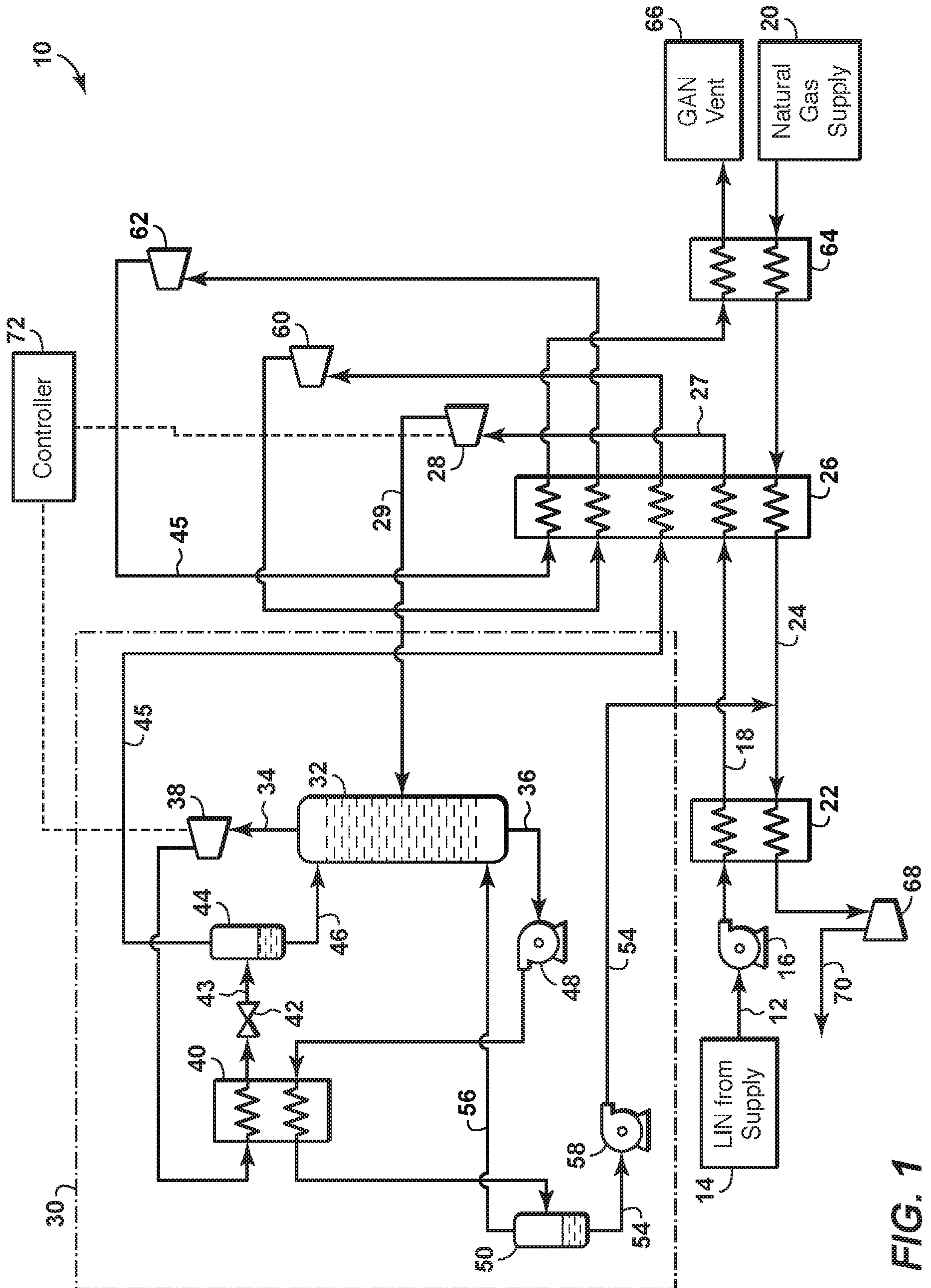


FIG. 1

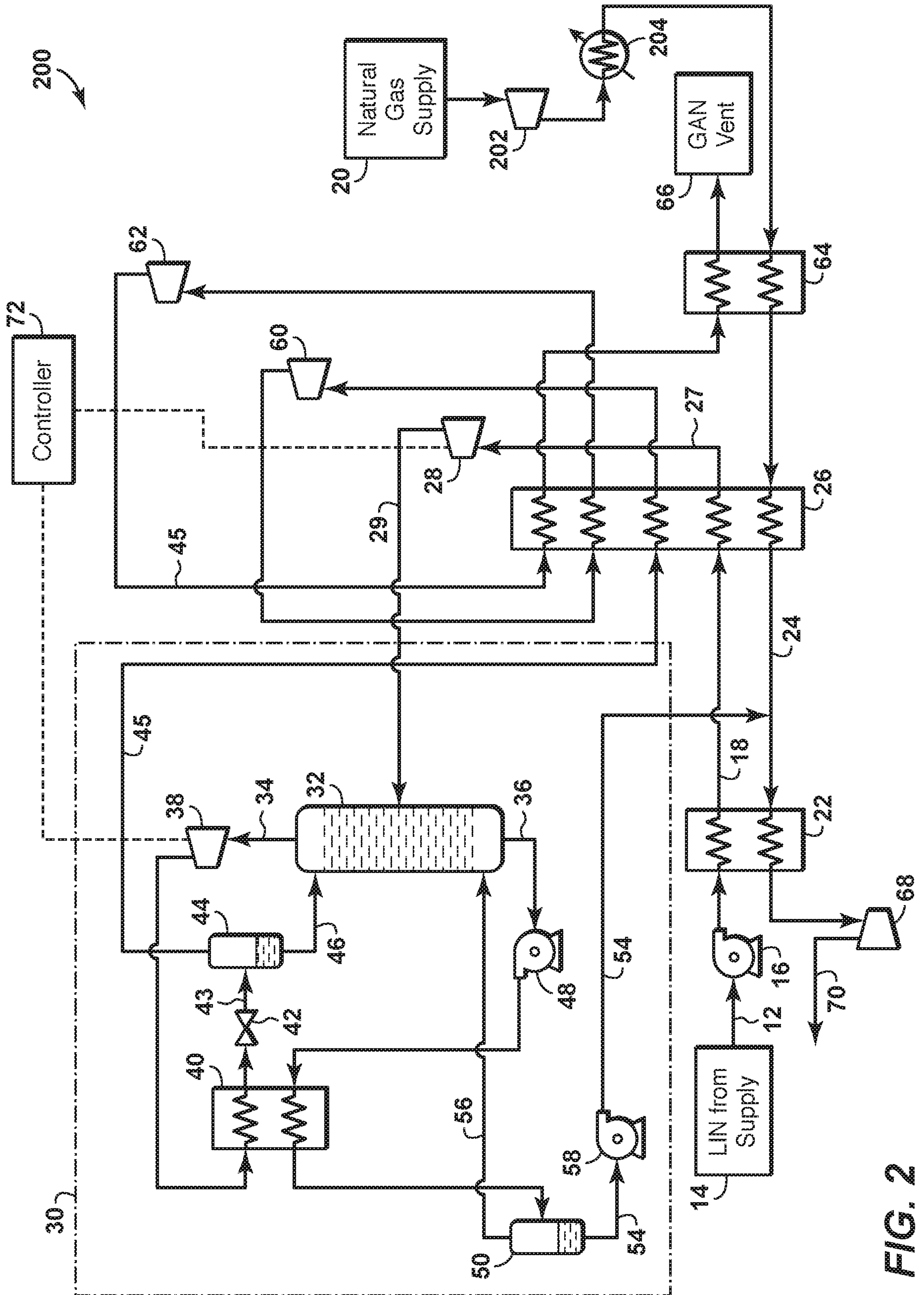


FIG. 2

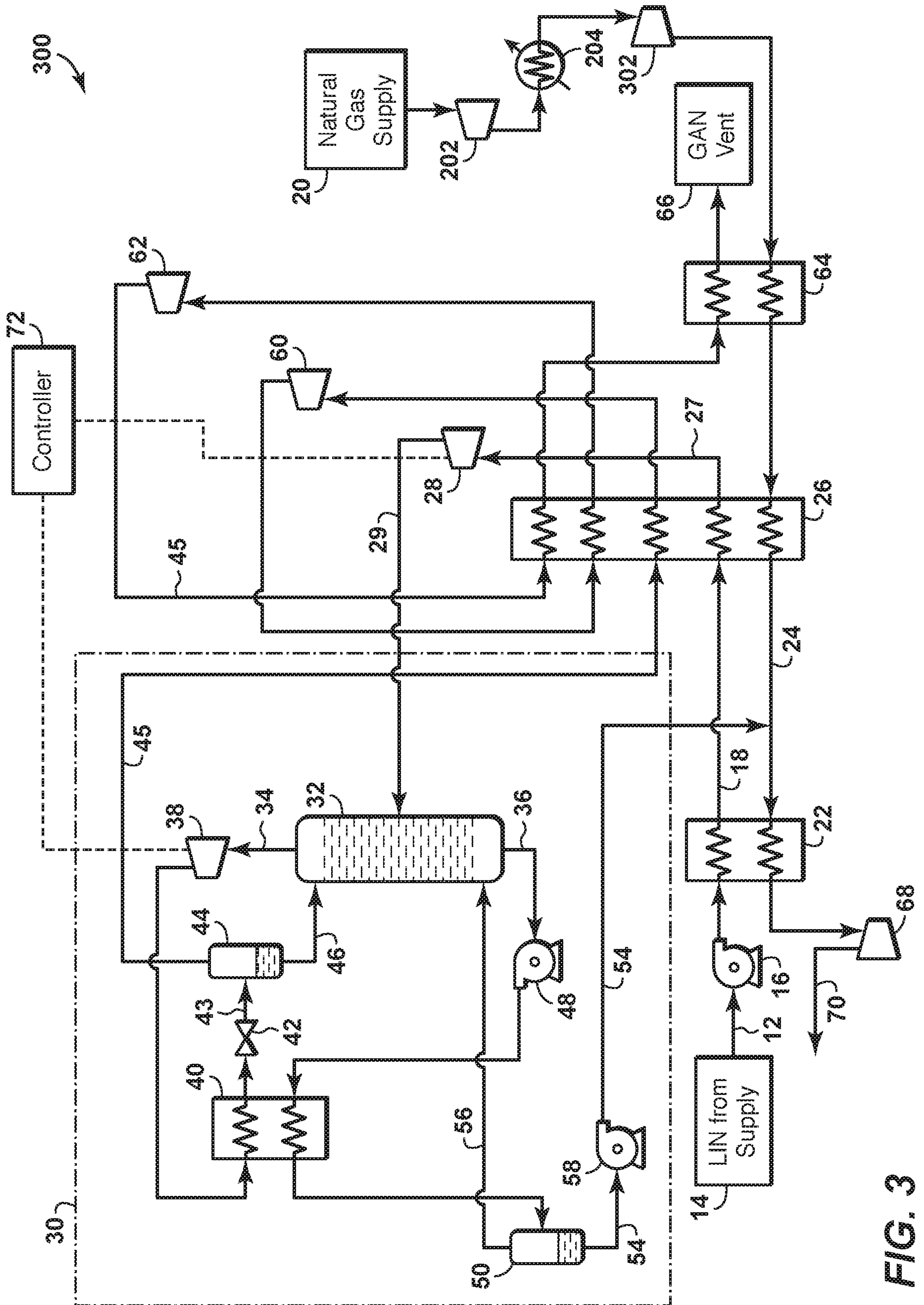


FIG. 3

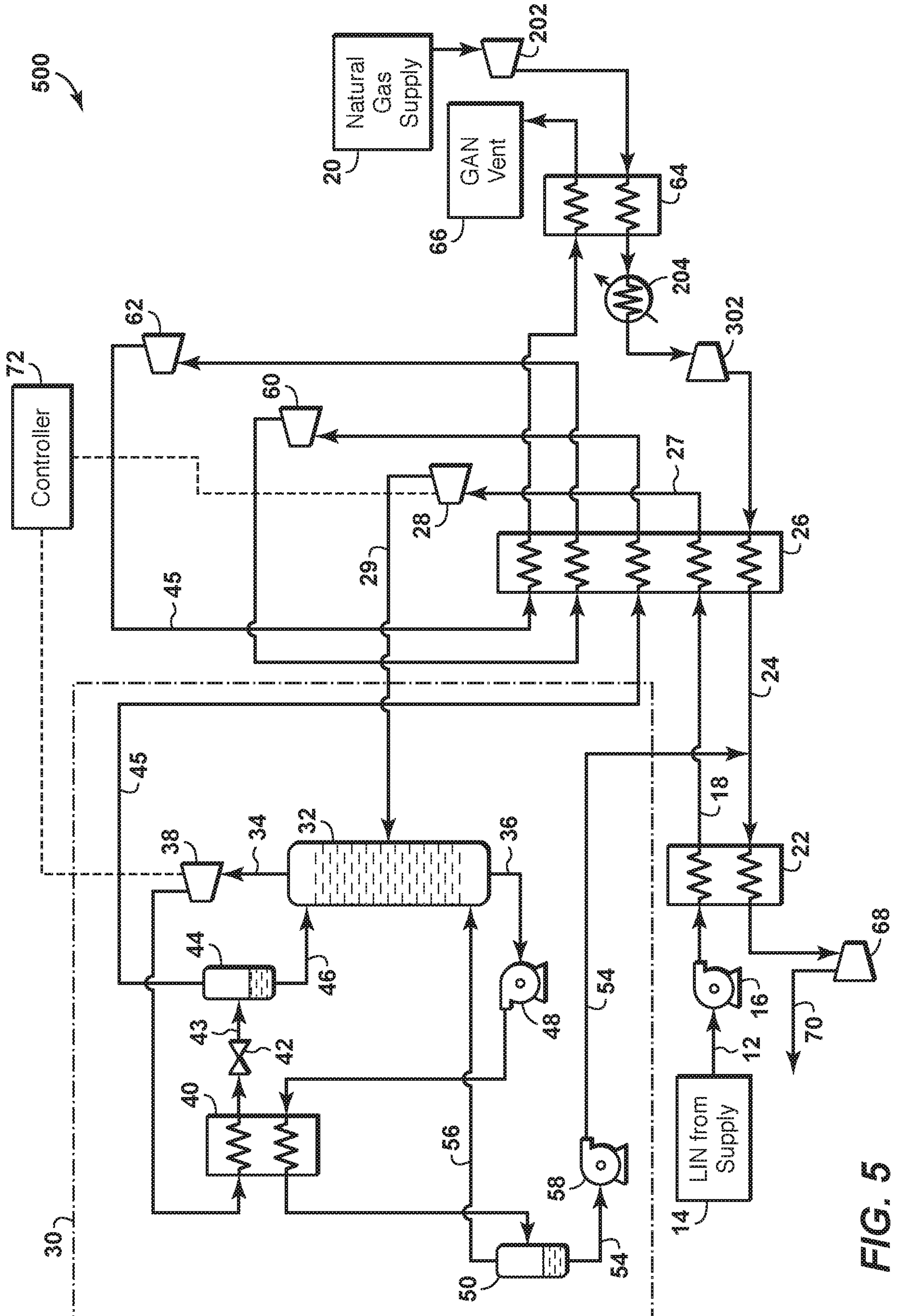


FIG. 5

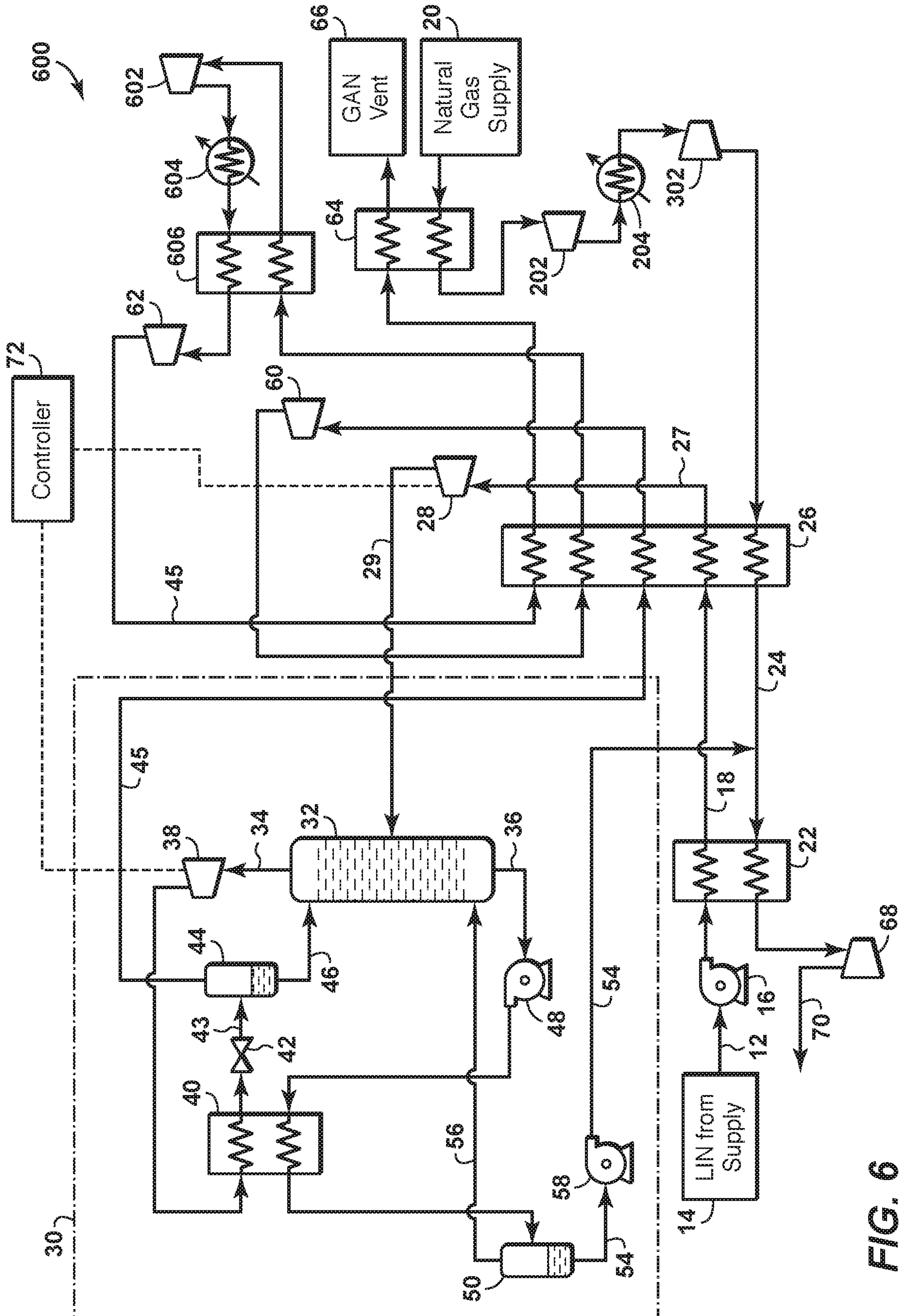


FIG. 6

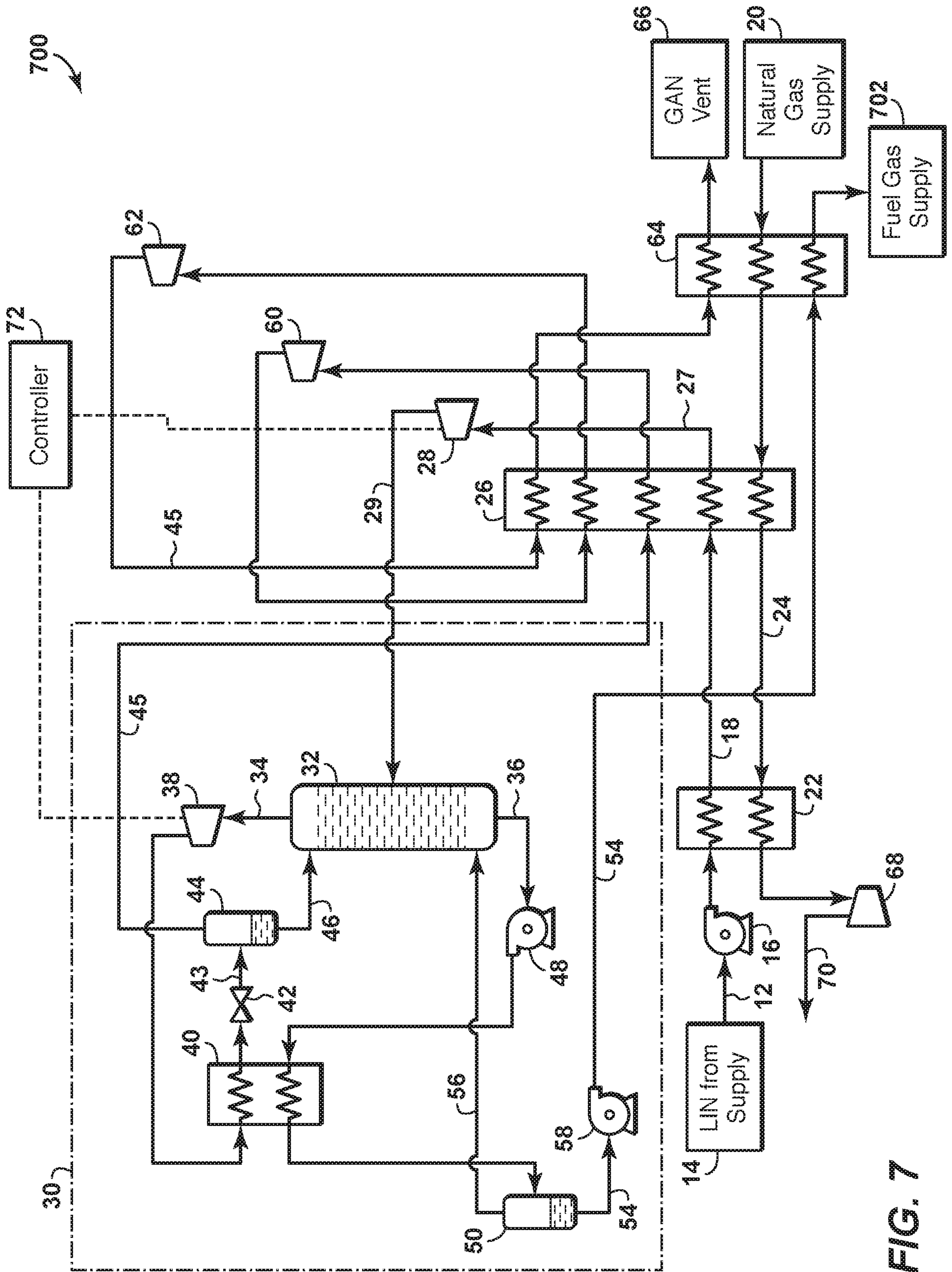


FIG. 7

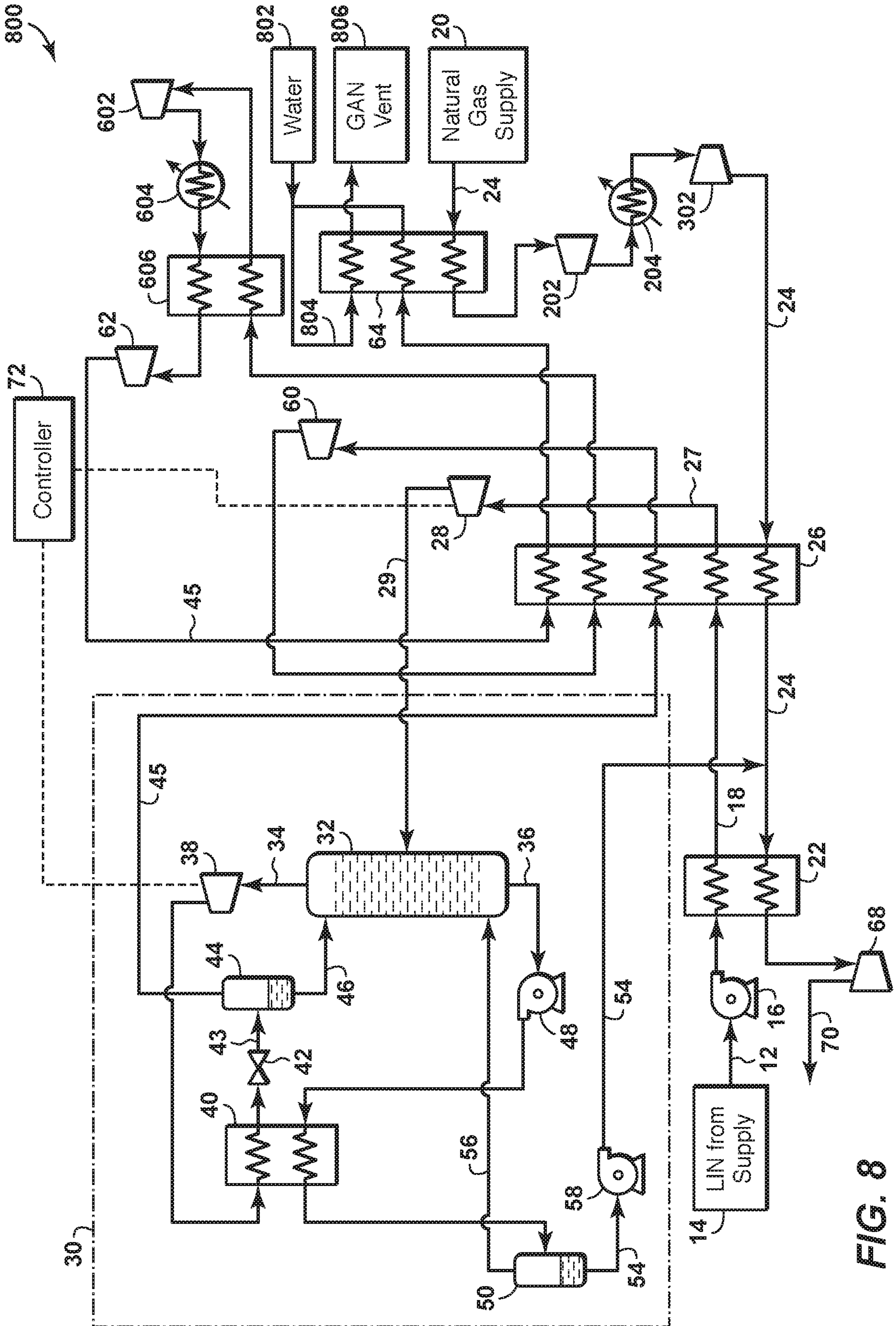


FIG. 8

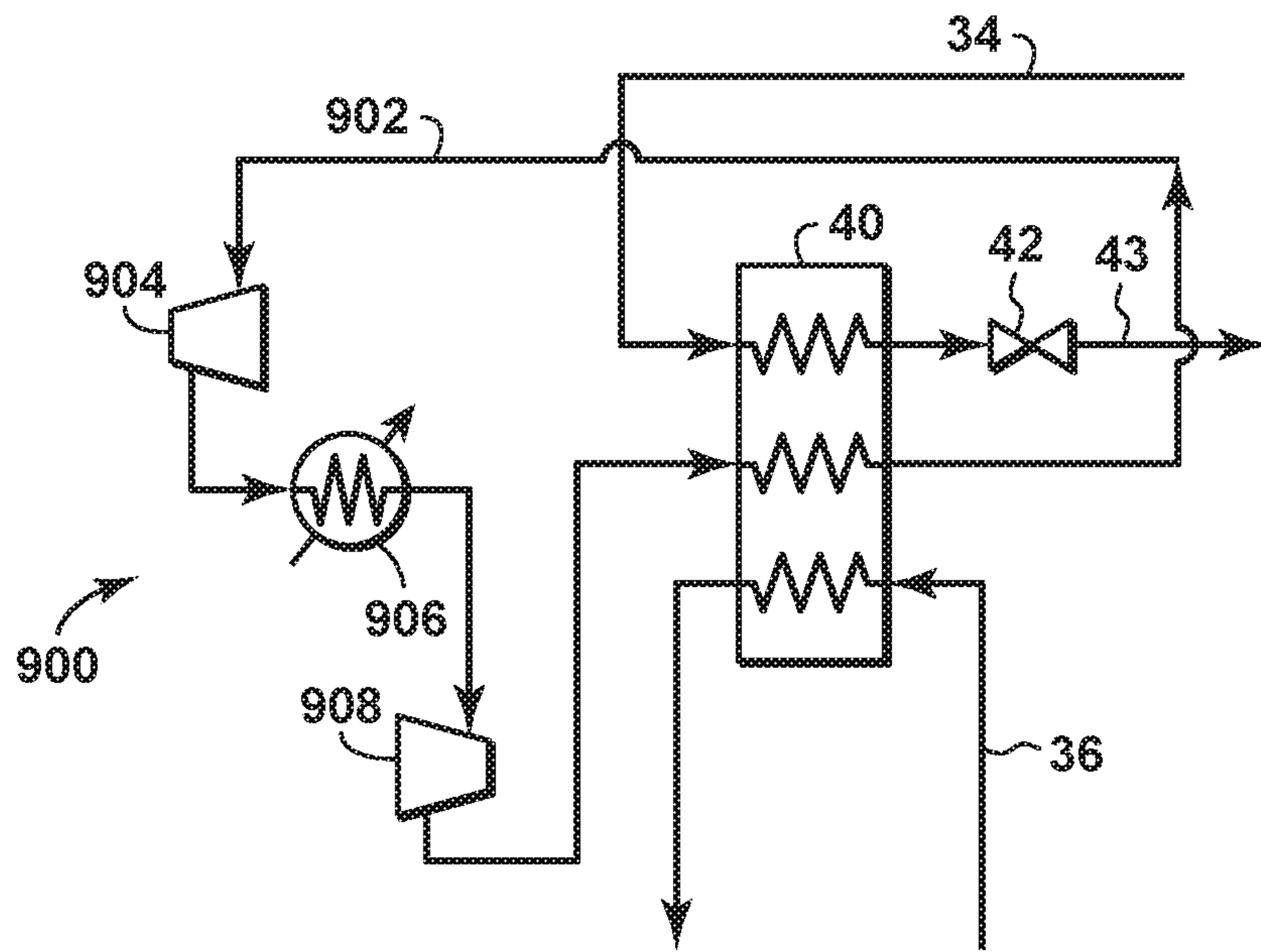


FIG. 9

10/10

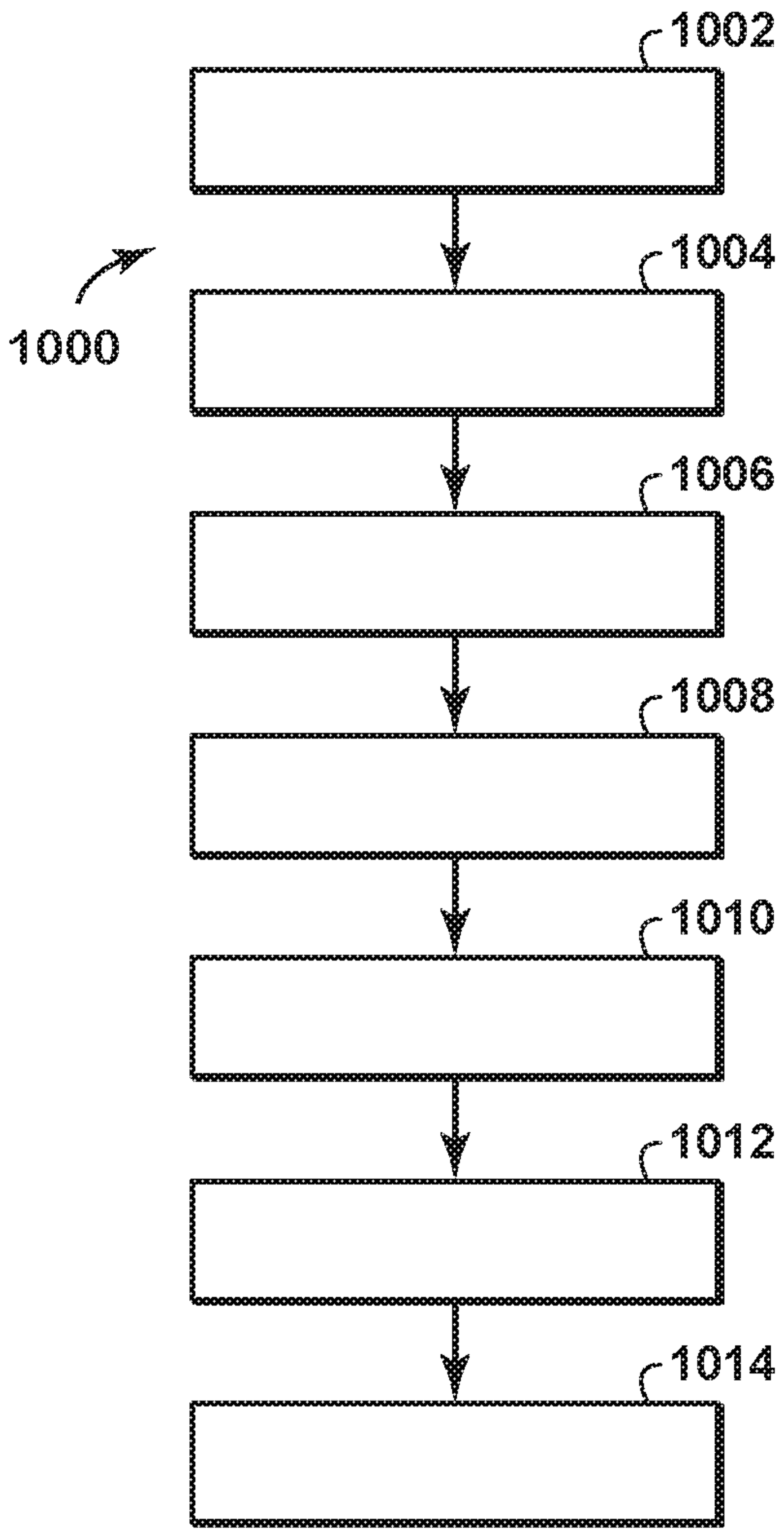


FIG. 10

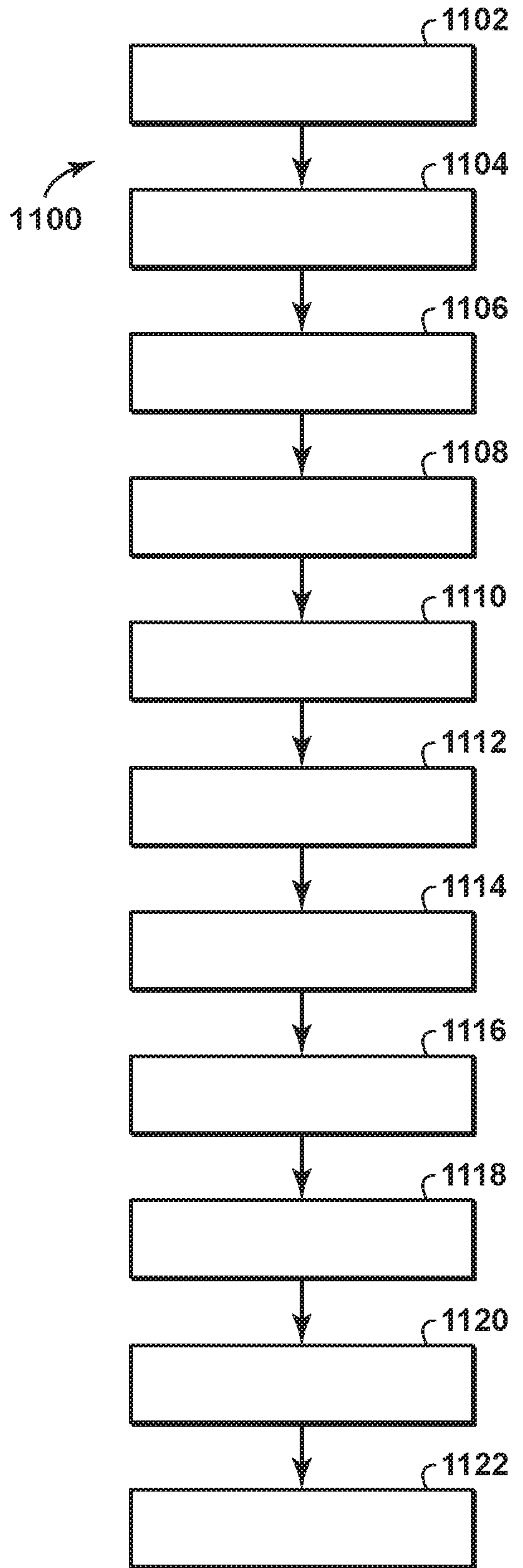


FIG. 11

