

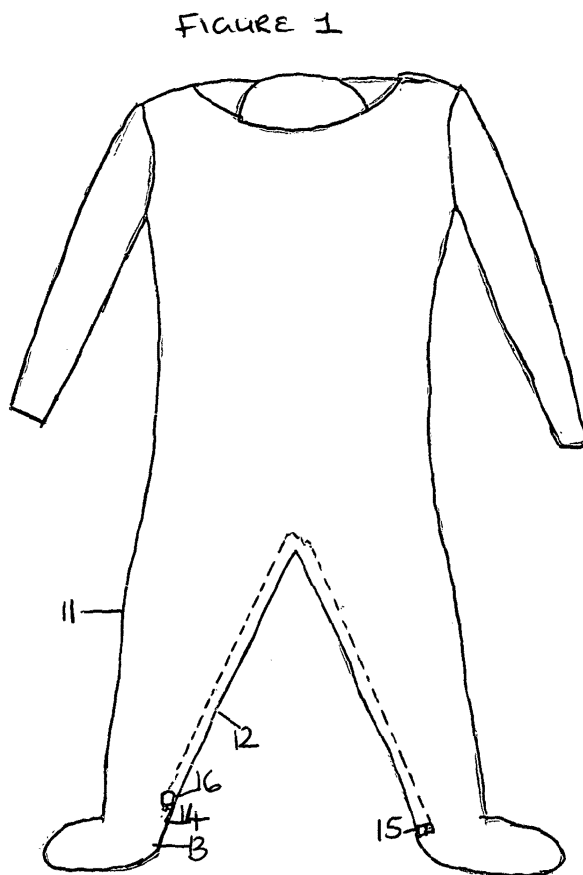
(21) Application No: **1219384.3**
 (22) Date of Filing: **29.10.2012**
 (30) Priority Data:
 (31) **1118799** (32) **29.10.2011** (33) **GB**

(71) Applicant(s):
Nicole Graham
17 Cobbetts Way, WILMSLOW, Cheshire, SK9 6HN,
United Kingdom
 (72) Inventor(s):
Nicole Graham
 (74) Agent and/or Address for Service:
Nicole Graham
17 Cobbetts Way, WILMSLOW, Cheshire, SK9 6HN,
United Kingdom

(51) INT CL:
A41B 13/00 (2006.01) **A41D 10/00** (2006.01)
 (56) Documents Cited:
GB 0669847 A **DE 029622566 U1**
US 2257426 A1 **US 20100229277 A1**
US 20090293169 A1
 (58) Field of Search:
 UK CL (Edition X) **A4B, A4D**
 Other: **EPODOC WPI INTERNET**

(54) Title of the Invention: **Sleepsuit with zip**
 Abstract Title: **Baby sleepsuits**

(57) A sleepsuit comprises a single zip slide fastening that runs along an inside edge of first and second legs from the position of a first ankle 14 to the position of a second ankle 15. The suit may comprise foot enclosures 13 or may be footless. The footless version of the suit (figure 2) may comprise a fixed seam (5, figure 4) at the zip end or may comprise a fully separated zip end (20, figure 5) at the bottom of a leg. The suit is designed to have a minimal number of fastenings and is preferably configured to be put on a baby by being stretched over their head.



1/34

FIGURE 1

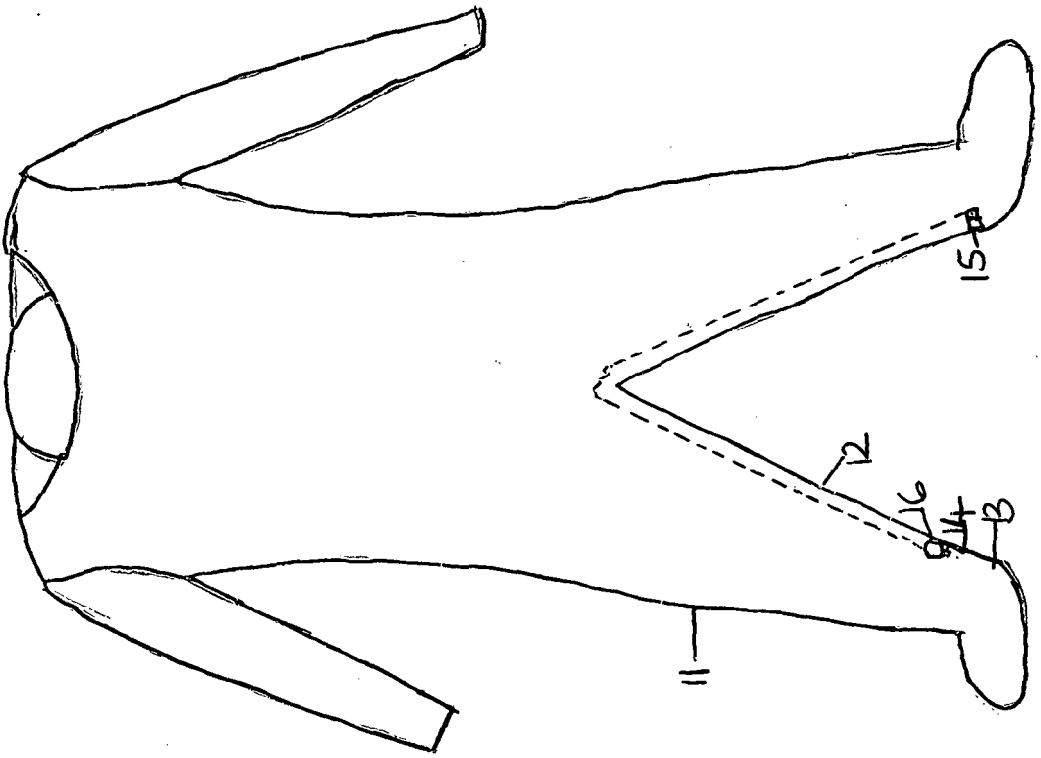
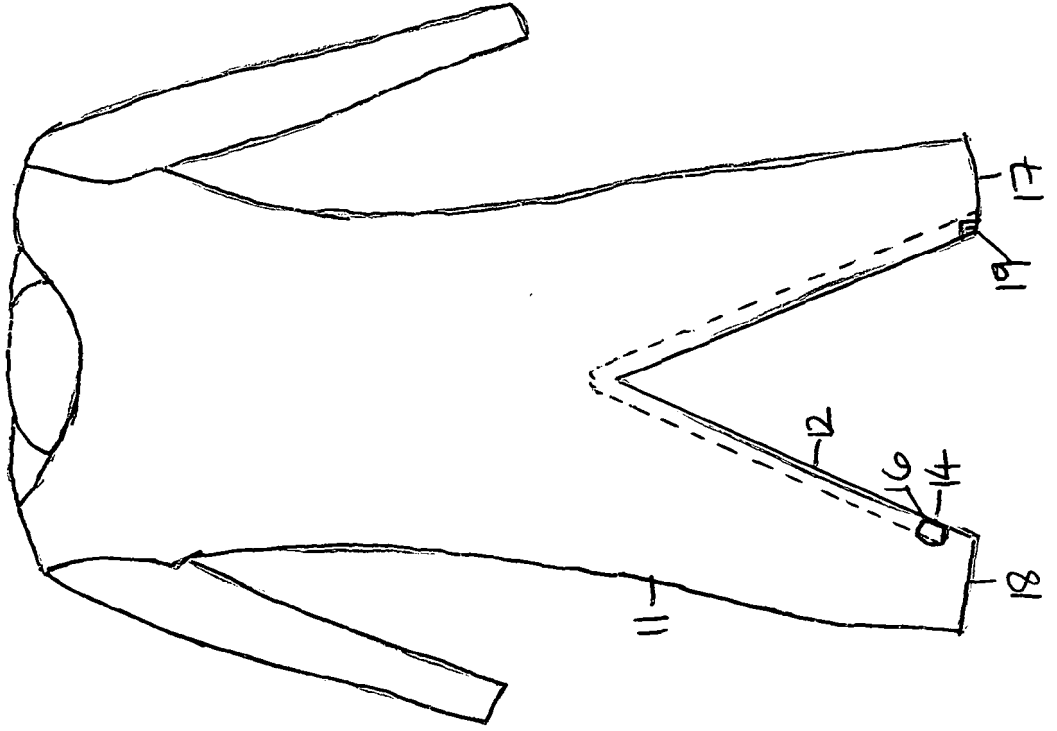
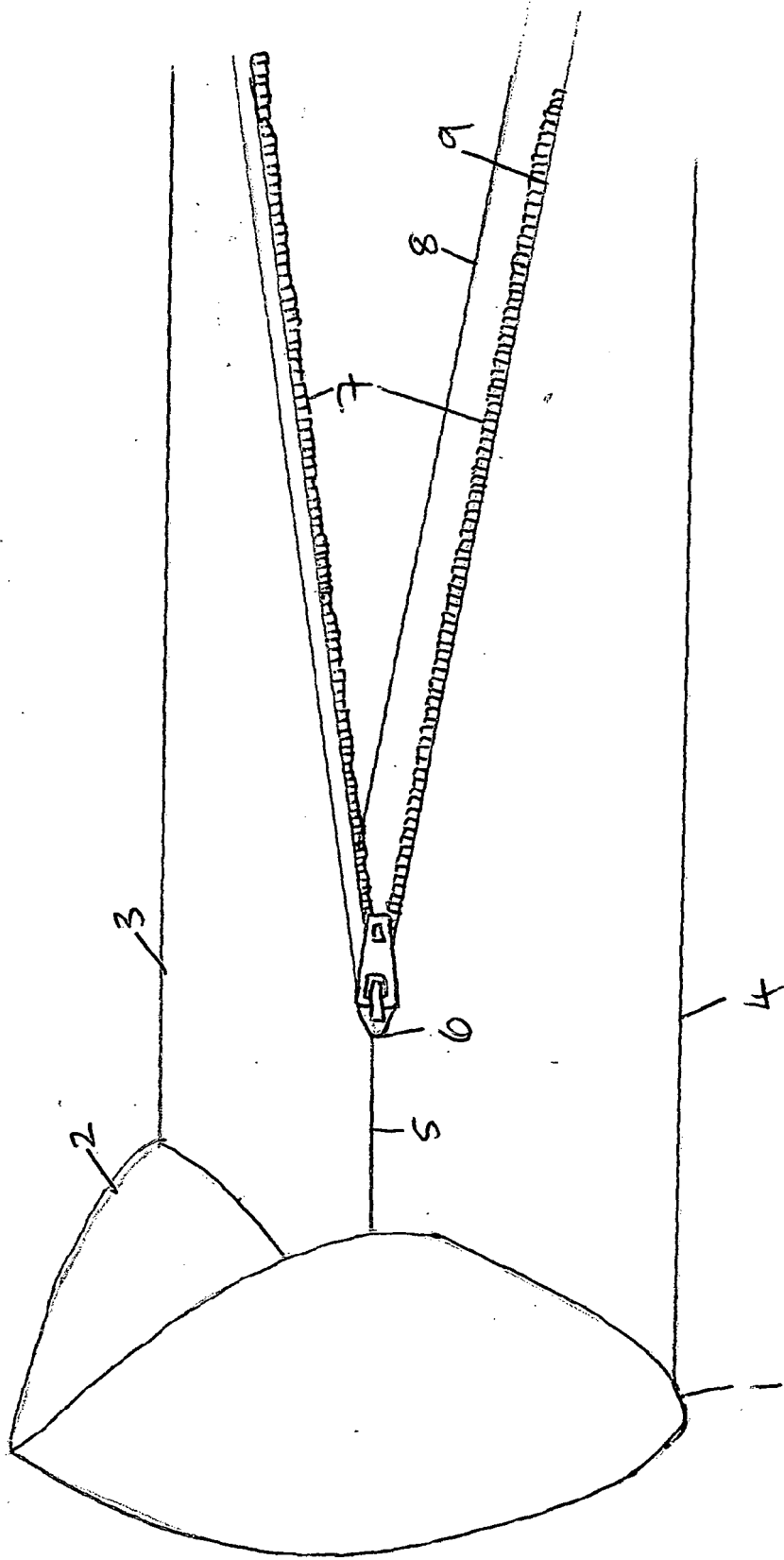


FIGURE 2



2/34

FIGURE 3



3/4

FIGURE 4

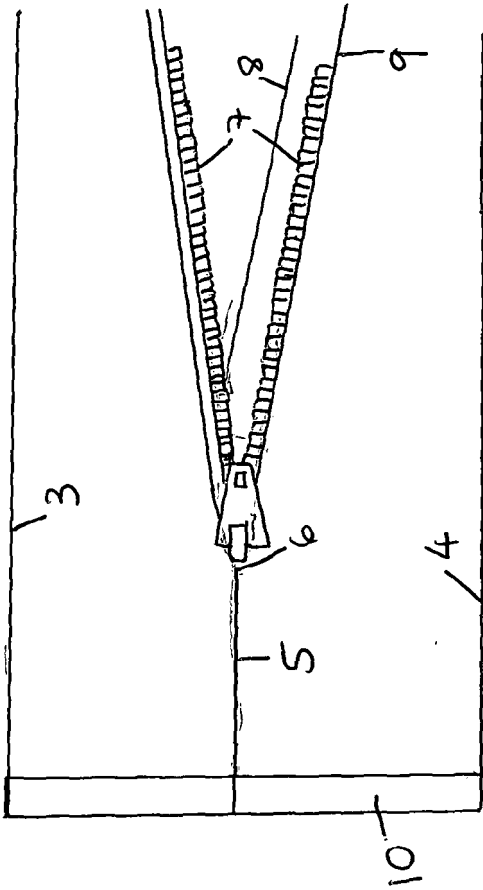
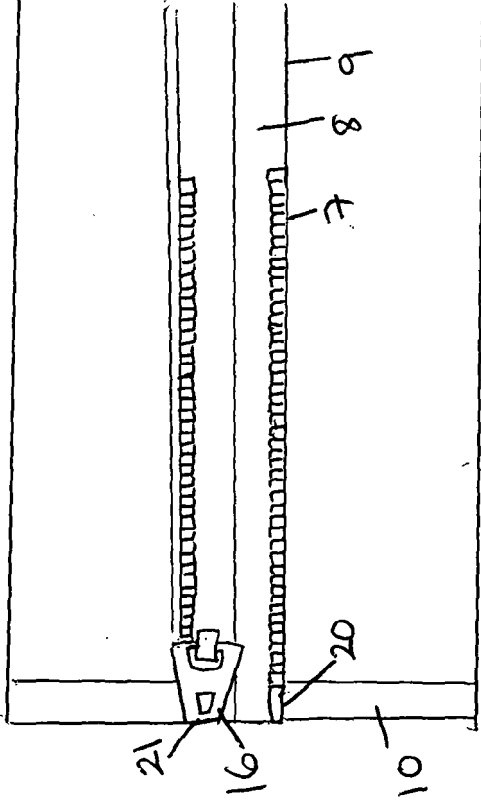


FIGURE 5



4/4



FIGURE 6

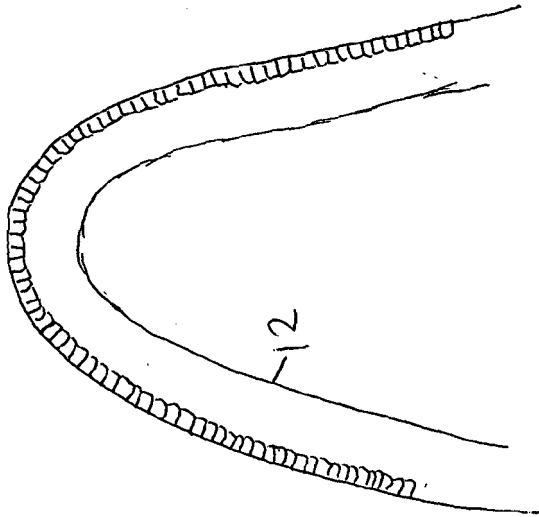
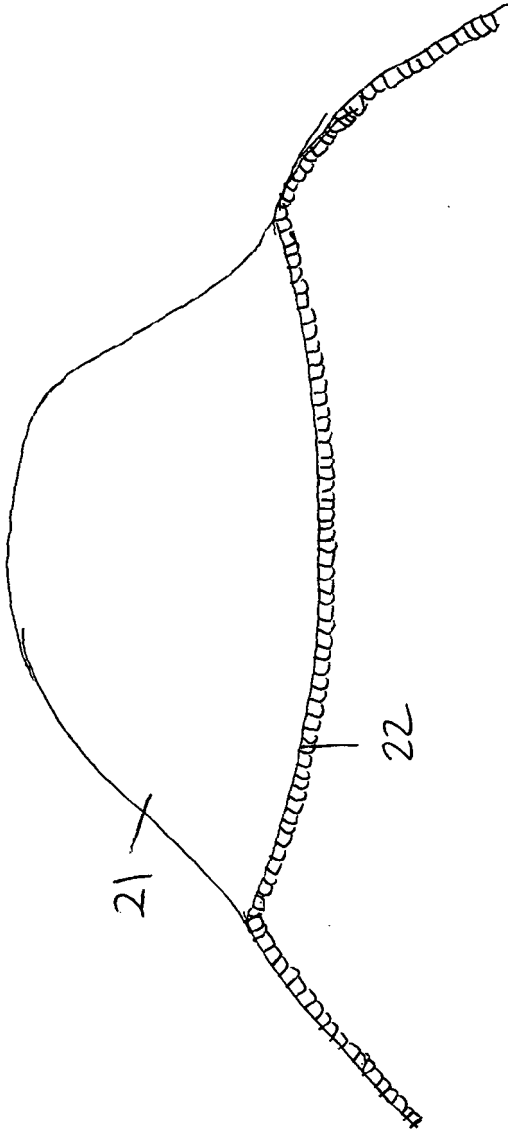


FIGURE 7



Description– Baby Sleepsuit

This invention relates to a design of a baby sleepsuit that has a single zip fastener running along the entire inside leg.

Traditional baby sleepsuits (babygrows/footies) are fastened along the inside leg (and often up the front too) by means of sets of poppers/snap fastenings. As a mum of 2 children I have had many stressful experiences trying to do up these poppers when my babies were upset and/or wriggling around. It takes time to match up the pairs of poppers correctly which ultimately can be very stressful for parent and child. As no popper free product was available to buy, I then invented my own design which uses a zip rather than poppers.

The important element of my invention is that it has a single zip that runs across the inside of both legs, fastening from one ankle to the other, thereby effectively replacing all poppers that are along the legs in traditional sleepsuits. Additional features include a zip guard double layer of fabric that lies between the fastened zip and baby's skin, plus a cover over the fastened zip slider to hide it away from baby's enquiring fingers.

I am aware that there are garment designs in existence that are similar to my invention but they are not the same and do not achieve the same goal from the design. There are suits that have a zip or zips on the body part of the suit. These zip from the neck down along the front of the legs. My design does not aim to replicate this in anyway and instead is purely about having minimal fastenings and so just has one zip that replaces the poppers along the inside leg seam. On purpose I have avoided the need for a zip up front by designing the sleepsuit so it stretches over babies heads and is pulled down over the body requiring only a fastening along the leg. Lack of a zip on the front makes it more comfortable for babies as well as more attractive to look at.

It is the single zip fastening solution I have designed that I wish to protect. I wish to produce 2 sleepsuit variations utilising this unique zip design: one sleepsuit with full feet and one without feet enclosures, a romper style suit. One single patent would be desired to cover both variants.

This key zip element is now described further and with reference to the accompanying 7 figures that follow whereby,

Figure 1 shows a front elevation view of the fully footed sleepsuit with the zip running along the entire leg

Figure 2 shows a similar view, this time of the footless sleepsuit version

Figure 3 shows a close-up view of the zip end at the foot enclosure area of the sleepsuit

Figure 4 & figure 5 are of the two opposite ends of the footless sleepsuit version. Figure 4 shows a close-up view of the leg which has a fixed seam at the zip end. Figure 5 shows the alternative leg which has a fully separated zip end right at the bottom of the sleepsuit leg.

Figure 6 & 7 show close-up views of how the zip stringer is attached at the crotch area. Figure 6 is the rear view and Figure 7 is the front view.

In figure 1, the front and back pieces of material are sewn together along the side of the garment as indicated by 11. The inside leg seam, 12, is not sewn together apart from approx. a 3cm (depending on baby age and therefore size of garment) seam stitched at either end above the foot enclosure (reference number 13). The inside leg is fastened together by one single zip slider, 16, which runs from the zip end stop, 14 to the other zip end stop, 15 at the other ankle.

In figure 2, the footless sleepsuit version, again the front and back pieces are sewn together at the side seams (11) and the inside leg seam is left open. This time it is left fully open at one ankle (17) but closes at the other ankle (18) via a 3cm seam (approx.) up from the bottom of the leg (note there is no foot enclosure, 13, as in figure 1). Again, the inside leg seam, 12, is fastened via a single zip, 16, which runs from the zip end stop 14 down to the end of the other leg, 17. The zip ends at this point are fully separable, 19.

In figure 3, the close up of the fully footed sleepsuit shows how the 4 pieces of material relevant to this area of the garment are sewn together. The sole of the foot, 1, is attached to the top of the foot, 2 and then both the front, 3, and back, 4 parts of the main body of the sleepsuit. Pieces 3 and 4 are sewn together at the outside edge of the garment (not shown) and also at the inside edge by approx. a 3cm seam up from the seam adjoining the foot enclosure: At the top of this inside leg seam, 6, the enclosed zip track is revealed and the zip slider is able to run along the zip track until it reaches this point whereby it is forced to stop as the material prevents it from running any further. 7 shows the interlockable elements of the stringers. 8 is the zip guard which is a piece of doubled thickness cotton 1 inch wide which lies between the fastened zip and the baby's skin to aid comfort and offer protection from catching the skin in the zip. This is attached to one stringer along the entire seam length, 9.

Figure 4 shows the similar seam and zip construction as in figure 3. In figure 4, there is no foot enclosure and the leg finishes with a straight seam with a decorative binding at the edge, 10.

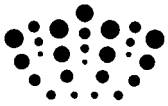
Figure 5 shows the end of the other leg, 17, which opens fully at one side and does not have a seam. The zip slider, 16, runs all the way to the end of the zip retaining stringer at 21 and the matching pin on the zip releasing stringer is released, 20.

Figure 6 a rear view of the crotch area and shows that the inside leg seam, 12, is fastened by a single zip fastener in one smooth arch along the crotch without interruption.

Figure 7 of the front view of the crotch area shows the addition of a piece of gusset material, 21, at the crotch to enable baby's movement. The single zip stringer is sewn to the edge of this gusset to enable a continuous zip motion along the crotch area.

CLAIM

A sleepsuit that has a single zip slide fastening that runs along the inside edge of both legs, from one ankle to the other, thereby replacing all poppers that exist here in traditional sleepsuits.



Application No: GB1219384.3

Examiner: Dr Karen Payne

Claims searched: 1

Date of search: 25 March 2013

Patents Act 1977: Search Report under Section 17

Documents considered to be relevant:

Category	Relevant to claims	Identity of document and passage or figure of particular relevance
X	1	US 2009/0293169 A1 (WISE) See pages 2 & 3 and figures 3 & 4.
X	1	US 2010/0229277 A1 (LANG) See page 1 and figures 2 & 3.
X	1	US 2257426 A1 (NEIMAN) See page 2 and figures 1 & 2.
X	1	GB 0669847 A (LINDSAY & CO) See page 1 and figure 1.
X	1	DE 29622566 U1 (KUKELIES) See WPI Abstract Accession No. 1997-156410 [15] and figure 1.

Categories:

X	Document indicating lack of novelty or inventive step	A	Document indicating technological background and/or state of the art.
Y	Document indicating lack of inventive step if combined with one or more other documents of same category.	P	Document published on or after the declared priority date but before the filing date of this invention.
&	Member of the same patent family	E	Patent document published on or after, but with priority date earlier than, the filing date of this application.

Field of Search:

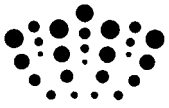
Search of GB, EP, WO & US patent documents classified in the following areas of the UKC^X :

A4B; A4D

Worldwide search of patent documents classified in the following areas of the IPC

The following online and other databases have been used in the preparation of this search report

EPODOC, WPI, INTERNET



International Classification:

Subclass	Subgroup	Valid From
A41B	0013/00	01/01/2006
A41D	0010/00	01/01/2006