



US00D717804S

(12) **United States Design Patent**  
**Budge**

(10) **Patent No.:** **US D717,804 S**

(45) **Date of Patent:** **\*\* Nov. 18, 2014**

(54) **FRAME AND HANDLES FOR HOLDING A COMPUTER**

(71) Applicant: **Michael Budge**, Los Angeles, CA (US)

(72) Inventor: **Michael Budge**, Los Angeles, CA (US)

(\*\*) Term: **14 Years**

(21) Appl. No.: **29/483,698**

(22) Filed: **Feb. 28, 2014**

(51) **LOC (10) Cl.** ..... **08-03**

(52) **U.S. Cl.**  
USPC ..... **D14/447**

(58) **Field of Classification Search**  
USPC ..... D14/447, 432, 433, 434, 439, 440, 451, D14/452, 457, 459, 460, 461, 251, 253, 448, D14/449, 450; D9/433, 455, 457; D20/10, D20/25; D6/672, 674, 674.1, 678, 682, D6/682.3; 40/124.05, 124.06, 124.07, 40/124.08, 124.09, 124.14, 124.16, 539; 248/917-924, 445, 447.1, 451, 456, 248/459, 460, 150, 152, 174, 188.6, 176.1; 361/679.02, 679.09, 679.21, 679.26, 361/679.3, 679.27, 679.55, 679.56

See application file for complete search history.

(56) **References Cited**

**U.S. PATENT DOCUMENTS**

6,781,825	B2	8/2004	Shih et al.	
7,983,027	B2	7/2011	Lord	
D653,668	S *	2/2012	Song et al.	D14/447
8,120,896	B2	2/2012	Mori et al.	
D668,660	S	10/2012	Norfolk	
D674,803	S *	1/2013	Westrup	D14/440
D674,804	S *	1/2013	Cote	D14/447
D676,851	S *	2/2013	Finnegan et al.	D14/440
D678,298	S *	3/2013	Burridge	D14/447
D687,440	S *	8/2013	Shieh	D14/447

D691,146	S *	10/2013	Perez	D14/440
2012/0080577	A1 *	4/2012	McIntyre et al.	248/346.04
2012/0091312	A1	4/2012	Baker	
2012/0097831	A1 *	4/2012	Olukotun et al.	248/688
2012/0224318	A1	9/2012	Carleton	
2012/0228169	A1	9/2012	Huang	
2012/0262854	A1	10/2012	Robert	
2012/0319414	A1	12/2012	Potter et al.	
2012/0327593	A1	12/2012	Finnegan et al.	
2013/0069381	A1	3/2013	Sakamoto	
2013/0105662	A1 *	5/2013	Cote	248/689
2013/0175426	A1 *	7/2013	Harjani et al.	248/688
2013/0270851	A1 *	10/2013	Konyha	294/142

\* cited by examiner

*Primary Examiner* — Angela J Lee

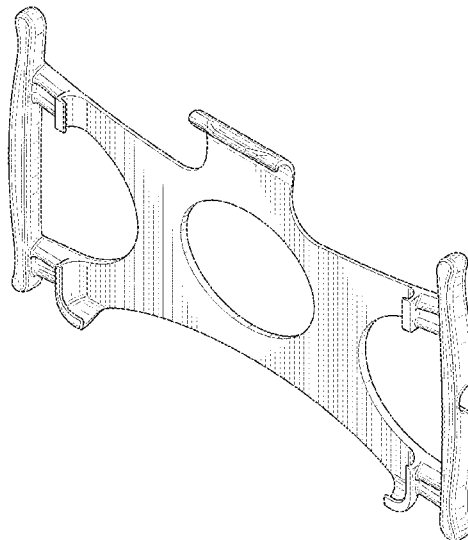
(57) **CLAIM**

The ornamental design for a frame and handles for holding a computer, as shown and described.

**DESCRIPTION**

FIG. 1 is a front perspective view of the article;  
 FIG. 2 is a front view of the article;  
 FIG. 3 is a front view of the article with a notebook shown in phantom;  
 FIG. 4 is a rear view of the article;  
 FIG. 5 is a rear view of the article with a notebook shown in phantom;  
 FIG. 6 is a top view of the article;  
 FIG. 7 is a bottom view of the article;  
 FIG. 8 is a left side view of the article;  
 FIG. 9 is a right side view of the article; and,  
 FIG. 10 is a rear perspective view of the article with a notebook shown in phantom.  
 FIGS. 3, 5 and 10 show a computer or computing device (e.g., a notebook) in broken (dashed) lines in order to show an exemplary environment of the article, but which does not form a part of the claimed design.

**1 Claim, 8 Drawing Sheets**



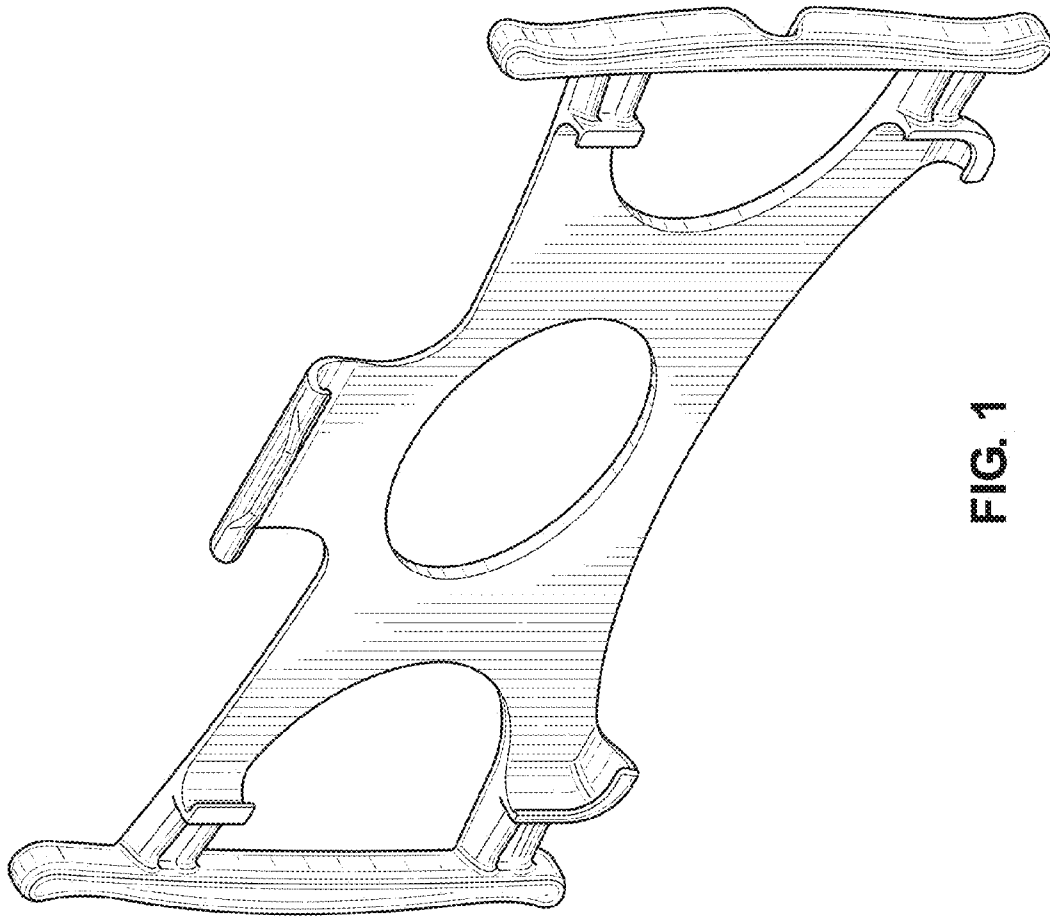


FIG. 1

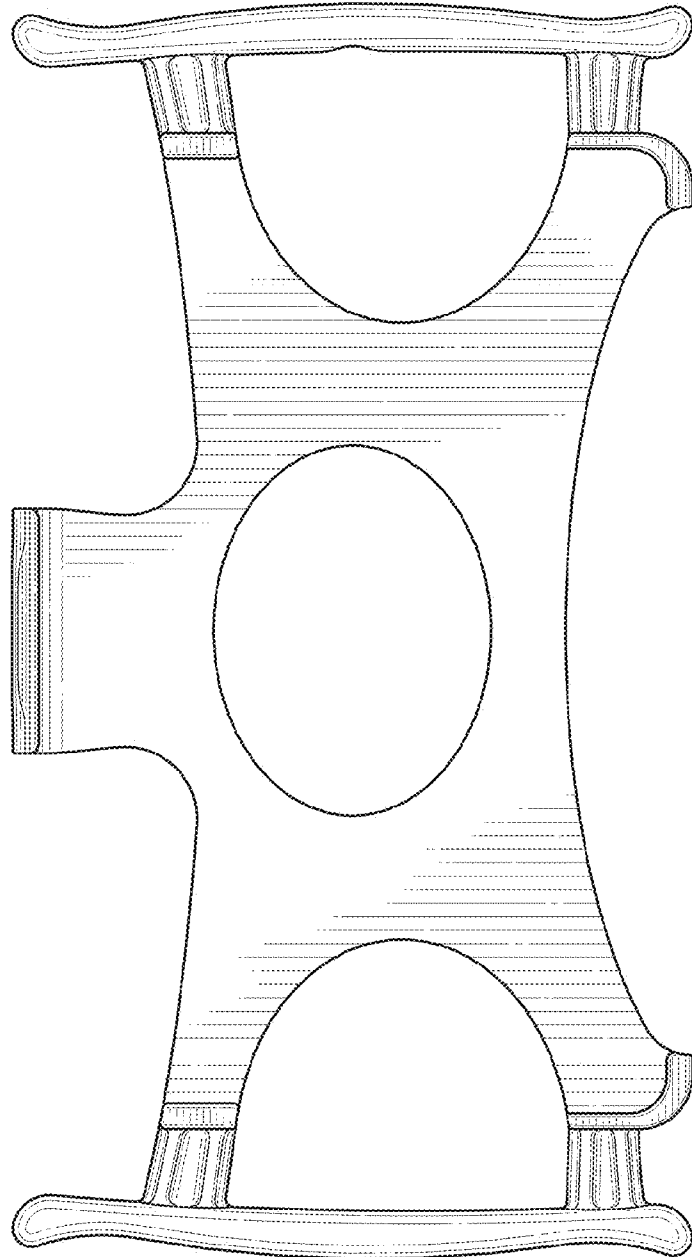


FIG. 2

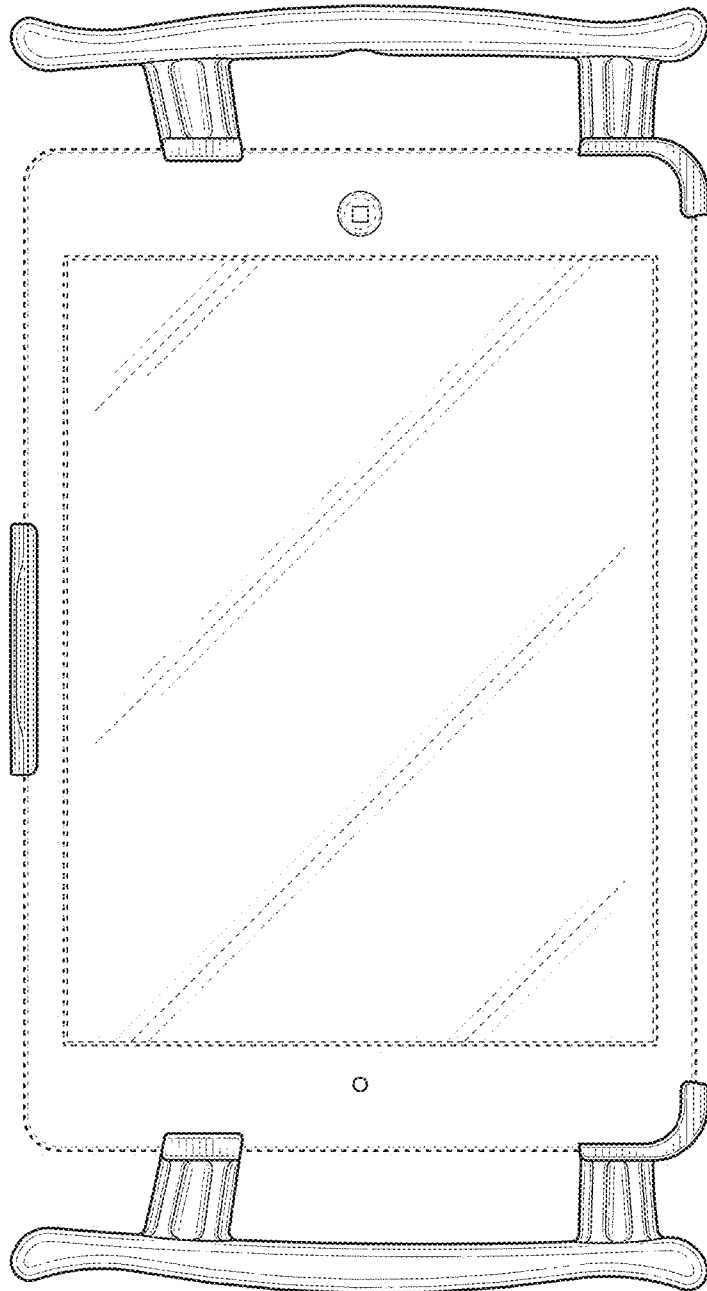


FIG. 3

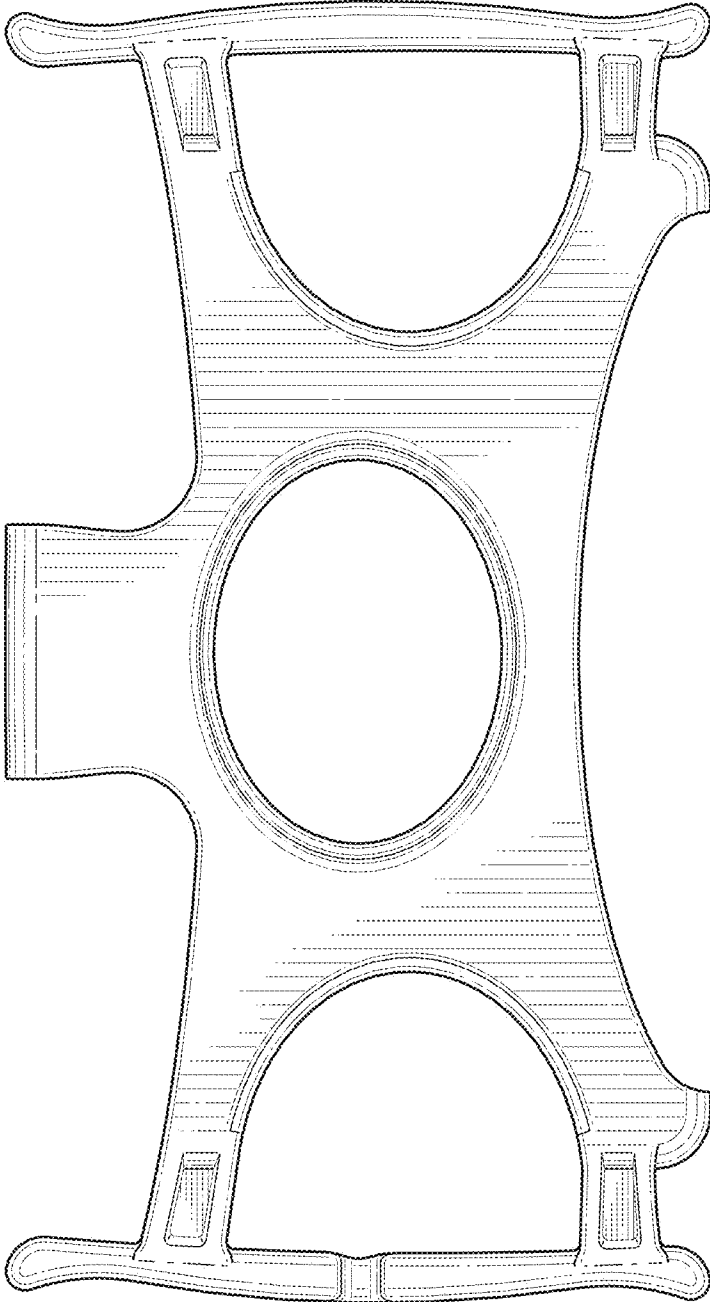


FIG. 4

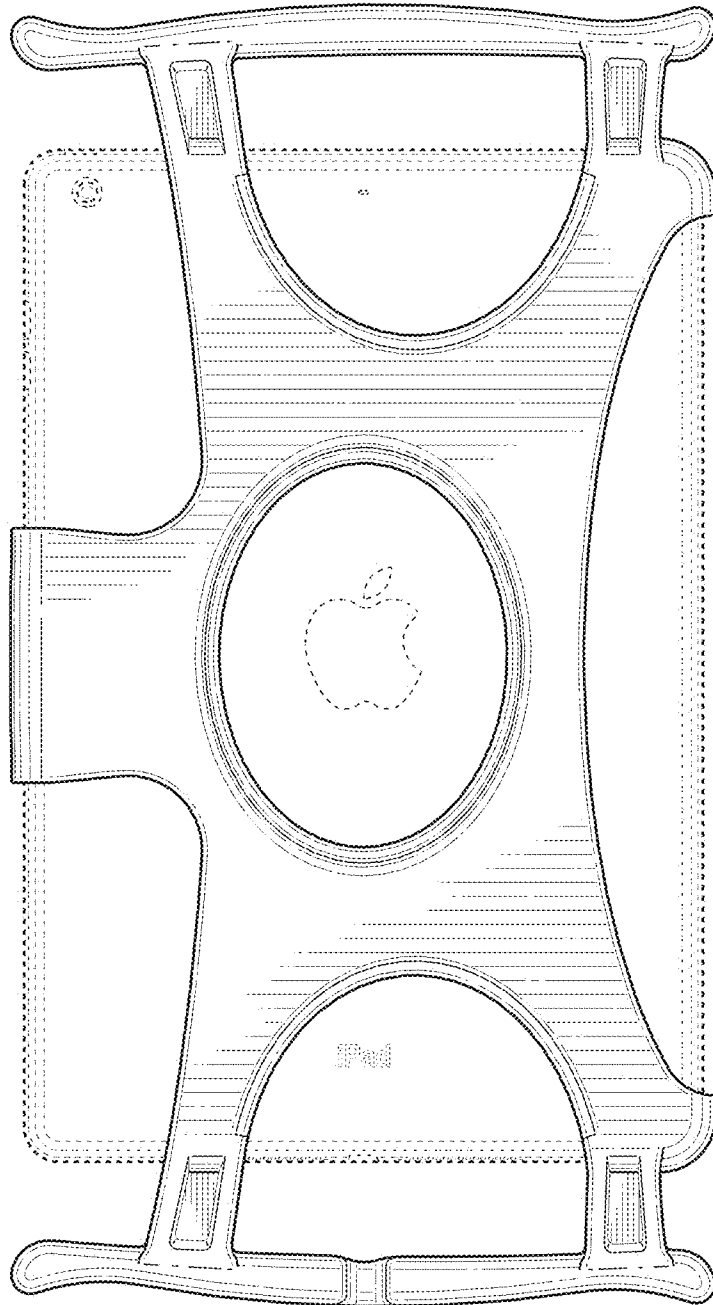


FIG. 5



FIG. 6



FIG. 7

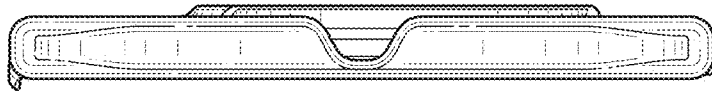


FIG. 9



FIG. 8

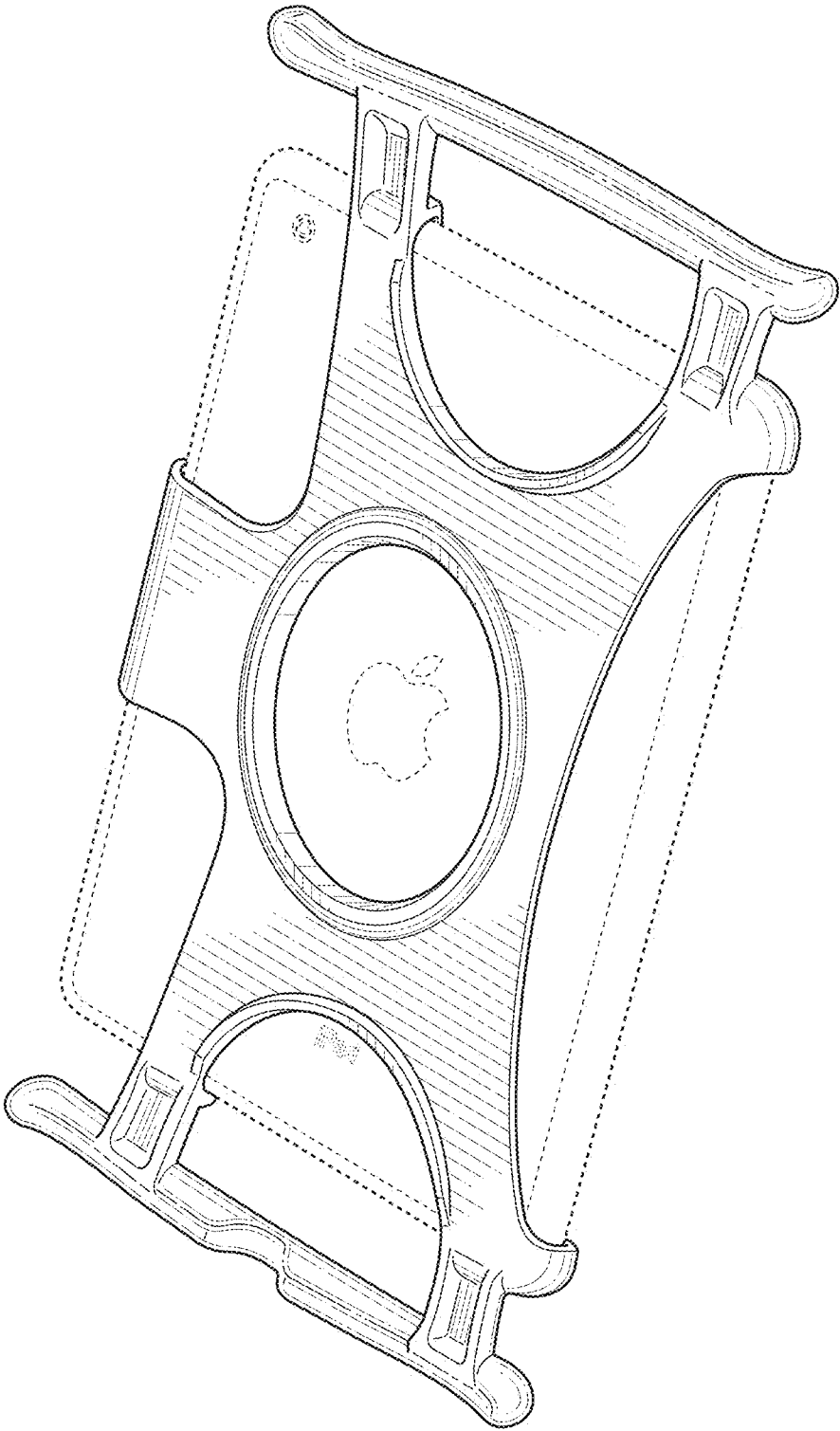


FIG. 10