



(51) International Patent Classification:

B65B 51/14 (2006.01) B29C 65/08 (2006.01)
B29C 65/02 (2006.01) B65B 51/22 (2006.01)
B29C 65/30 (2006.01) B65B 51/30 (2006.01)

(21) International Application Number:

PCT/EP2012/001877

(22) International Filing Date:

2 May 2012 (02.05.2012)

(25) Filing Language:

English

(26) Publication Language:

English

(30) Priority Data:

11003838.7 10 May 2011 (10.05.2011) EP
11003879.1 11 May 2011 (11.05.2011) EP

(71) Applicant (for all designated States except US): **CFS WEERT B. V.** [NL/NL]; De Fuus No. 8, NL-6006 RV Weert (NL).

(72) Inventors; and

(75) Inventors/Applicants (for US only): **VAN RENS, Joseph, Johan, Maria** [NL/NL]; Windmolen 28, NL-6003 BK Weert (NL). **BAUMEISTER, Bruno, Gerfried** [DE/DE]; Heussstrasse 34, 52078 Aachen (DE). **HOUBEN, Eric, Joseph, Elizabeth** [NL/NL]; Gerst 17, NL-5988 JS Helden (NL).

(74) Agents: **WOLFF, Felix** et al.; Kutzenberger & Wolff, Theodor-Heuss-Ring 23, 50668 Köln (DE).

(81) Designated States (unless otherwise indicated, for every kind of national protection available): AE, AG, AL, AM, AO, AT, AU, AZ, BA, BB, BG, BH, BR, BW, BY, BZ, CA, CH, CL, CN, CO, CR, CU, CZ, DE, DK, DM, DO, DZ, EC, EE, EG, ES, FI, GB, GD, GE, GH, GM, GT, HN, HR, HU, ID, IL, IN, IS, JP, KE, KG, KM, KN, KP, KR, KZ, LA, LC, LK, LR, LS, LT, LU, LY, MA, MD, ME, MG, MK, MN, MW, MX, MY, MZ, NA, NG, NI, NO, NZ, OM, PE, PG, PH, PL, PT, QA, RO, RS, RU, RW, SC, SD, SE, SG, SK, SL, SM, ST, SV, SY, TH, TJ, TM, TN, TR, TT, TZ, UA, UG, US, UZ, VC, VN, ZA, ZM, ZW.

(84) Designated States (unless otherwise indicated, for every kind of regional protection available): ARIPO (BW, GH, GM, KE, LR, LS, MW, MZ, NA, RW, SD, SL, SZ, TZ, UG, ZM, ZW), Eurasian (AM, AZ, BY, KG, KZ, RU, TJ, TM), European (AL, AT, BE, BG, CH, CY, CZ, DE, DK, EE, ES, FI, FR, GB, GR, HR, HU, IE, IS, IT, LT, LU, LV, MC, MK, MT, NL, NO, PL, PT, RO, RS, SE, SI, SK, SM, TR), OAPI (BF, BJ, CF, CG, CI, CM, GA, GN, GQ, GW, ML, MR, NE, SN, TD, TG).

Published:

— with international search report (Art. 21(3))

[Continued on next page]

(54) Title: SEALING SYSTEM FOR A PACKAGING MACHINE

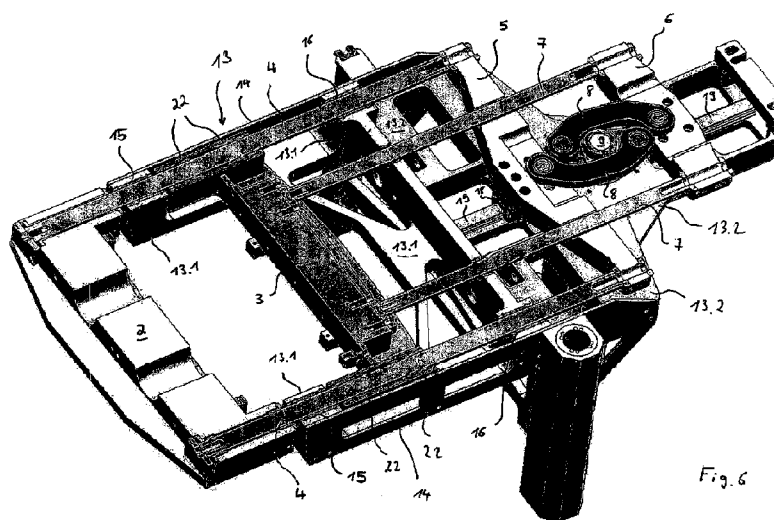


Fig. 6

(57) Abstract: The following invention relates to a packaging machine with a sealing system comprising a front jaw and a rear jaw which reciprocate between an open-and a sealing-position, respectively, whereas a front jaw comprises two guide shafts which are supported in a frame.

WO 2012/152403 A3



— *before the expiration of the time limit for amending the claims and to be republished in the event of receipt of amendments (Rule 48.2(h))*

(88) Date of publication of the international search report:
28 March 2013

INTERNATIONAL SEARCH REPORT

International application No.
PCT/EP2012/001877

Box No. II Observations where certain claims were found unsearchable (Continuation of item 2 of first sheet)

This international search report has not been established in respect of certain claims under Article 17(2)(a) for the following reasons:

1. Claims Nos.:
because they relate to subject matter not required to be searched by this Authority, namely:

2. Claims Nos.:
because they relate to parts of the international application that do not comply with the prescribed requirements to such an extent that no meaningful international search can be carried out, specifically:

3. Claims Nos.:
because they are dependent claims and are not drafted in accordance with the second and third sentences of Rule 6.4(a).

Box No. III Observations where unity of invention is lacking (Continuation of item 3 of first sheet)

This International Searching Authority found multiple inventions in this international application, as follows:

see additional sheet

1. As all required additional search fees were timely paid by the applicant, this international search report covers all searchable claims.

2. As all searchable claims could be searched without effort justifying an additional fees, this Authority did not invite payment of additional fees.

3. As only some of the required additional search fees were timely paid by the applicant, this international search report covers only those claims for which fees were paid, specifically claims Nos.:

4. No required additional search fees were timely paid by the applicant. Consequently, this international search report is restricted to the invention first mentioned in the claims; it is covered by claims Nos.:

Remark on Protest

- The additional search fees were accompanied by the applicant's protest and, where applicable, the payment of a protest fee.
- The additional search fees were accompanied by the applicant's protest but the applicable protest fee was not paid within the time limit specified in the invitation.
- No protest accompanied the payment of additional search fees.

INTERNATIONAL SEARCH REPORT

International application No
PCT/EP2012/001877

A. CLASSIFICATION OF SUBJECT MATTER
 INV. B65B51/14 B29C65/02
 ADD. B29C65/30 B29C65/08 B65B51/22 B65B51/30

According to International Patent Classification (IPC) or to both national classification and IPC

B. FIELDS SEARCHED

Minimum documentation searched (classification system followed by classification symbols)
 B29C B65B

Documentation searched other than minimum documentation to the extent that such documents are included in the fields searched

Electronic data base consulted during the international search (name of data base and, where practicable, search terms used)
 EPO-Internal

C. DOCUMENTS CONSIDERED TO BE RELEVANT

Category*	Citation of document, with indication, where appropriate, of the relevant passages	Relevant to claim No.
X	WO 2005/049428 A1 (TETRA LAVAL HOLDINGS & FINANCE [CH]; DELEN ANDERS [SE]; SVENSSON JAN []) 2 June 2005 (2005-06-02) abstract figures 1-8 claims 1-12 pages 2-3 pages 10-15	1,4-11
X	US 3 986 921 A (PUTNAM JR ROGER L ET AL) 19 October 1976 (1976-10-19) abstract figures 1-6	1-3
	----- -/--	

Further documents are listed in the continuation of Box C.

See patent family annex.

* Special categories of cited documents :

"A" document defining the general state of the art which is not considered to be of particular relevance

"E" earlier application or patent but published on or after the international filing date

"L" document which may throw doubts on priority claim(s) or which is cited to establish the publication date of another citation or other special reason (as specified)

"O" document referring to an oral disclosure, use, exhibition or other means

"P" document published prior to the international filing date but later than the priority date claimed

"T" later document published after the international filing date or priority date and not in conflict with the application but cited to understand the principle or theory underlying the invention

"X" document of particular relevance; the claimed invention cannot be considered novel or cannot be considered to involve an inventive step when the document is taken alone

"Y" document of particular relevance; the claimed invention cannot be considered to involve an inventive step when the document is combined with one or more other such documents, such combination being obvious to a person skilled in the art

"&" document member of the same patent family

Date of the actual completion of the international search 15 January 2013	Date of mailing of the international search report 01/02/2013
Name and mailing address of the ISA/ European Patent Office, P.B. 5818 Patentlaan 2 NL - 2280 HV Rijswijk Tel. (+31-70) 340-2040, Fax: (+31-70) 340-3016	Authorized officer Taillandier, Sylvain

INTERNATIONAL SEARCH REPORT

International application No
PCT/EP2012/001877

C(Continuation). DOCUMENTS CONSIDERED TO BE RELEVANT		
Category*	Citation of document, with indication, where appropriate, of the relevant passages	Relevant to claim No.
X,P	DE 10 2010 060818 A1 (INNO TECH VERPACKUNGSMASCHINEN GMBH [DE]) 22 June 2011 (2011-06-22) abstract figures 1-3	1,2
X	----- EP 1 516 816 A1 (IDEACORP AG [CH]) 23 March 2005 (2005-03-23)	12-14
Y	abstract figure 1 paragraphs [0028], [0032]	15
Y	----- EP 1 110 700 A2 (YKK CORP [JP]) 27 June 2001 (2001-06-27) abstract figures 1,2 claim 1 paragraphs [0001], [0021], [0038], [0039] -----	15

INTERNATIONAL SEARCH REPORT

Information on patent family members

International application No

PCT/EP2012/001877

Patent document cited in search report	Publication date	Patent family member(s)	Publication date
WO 2005049428	A1	02-06-2005	BR PI0415957 A 23-01-2007
			CN 1882475 A 20-12-2006
			EP 1689646 A1 16-08-2006
			ES 2333127 T3 17-02-2010
			JP 4427062 B2 03-03-2010
			JP 2007512195 A 17-05-2007
			KR 20060101502 A 25-09-2006
			RU 2359884 C2 27-06-2009
			SE 526126 C2 12-07-2005
			SE 0303150 A 25-05-2005
			TW I328549 B 11-08-2010
			US 2007074491 A1 05-04-2007
			WO 2005049428 A1 02-06-2005

US 3986921	A	19-10-1976	NONE

DE 102010060818	A1	22-06-2011	NONE

EP 1516816	A1	23-03-2005	AT 367962 T 15-08-2007
			EP 1516816 A1 23-03-2005

EP 1110700	A2	27-06-2001	CN 1301622 A 04-07-2001
			DE 60036069 T2 13-12-2007
			EP 1110700 A2 27-06-2001
			ES 2291169 T3 01-03-2008
			HK 1035881 A1 08-04-2005
			JP 3827273 B2 27-09-2006
			JP 2001179837 A 03-07-2001
			KR 20010062487 A 07-07-2001
			TW 483820 B 21-04-2002
			US 2001004913 A1 28-06-2001

FURTHER INFORMATION CONTINUED FROM PCT/ISA/ 210

This International Searching Authority found multiple (groups of) inventions in this international application, as follows:

1. claims: 1-11

Packaging machine with a stiff sealing system

2. claims: 12, 13

Sealing jaw with heating or cooling means

3. claim: 14

Method of tempering one jaw prior to sealing

4. claim: 15

Method of adjusting the sealing period according to the temperature of the sonotrode
