



US00D592002S

(12) **United States Design Patent**  
**Knee**

(10) **Patent No.:** **US D592,002 S**

(45) **Date of Patent:** **\*\* \*May 12, 2009**

(54) **BED RAIL COVER**

(76) Inventor: **Barrie Knee**, 27 Slayton Dr., Short Hills, NJ (US) 07078-1534

(\* ) Notice: This patent is subject to a terminal disclaimer.

(\*\*) Term: **14 Years**

(21) Appl. No.: **29/312,154**

(22) Filed: **Oct. 2, 2008**

(51) **LOC (9) Cl.** ..... **06-13**

(52) **U.S. Cl.** ..... **D6/610**

(58) **Field of Classification Search** ..... D6/610, D6/611, 612, 616, 596, 601, 606, 607, 504, D6/491, 331, 579; 5/663, 512, 946, 93.1, 5/100; 160/638.1, 327-329, 330, 348, 349.1, 160/45, 46, 35; 128/872

See application file for complete search history.

(56) **References Cited**

**U.S. PATENT DOCUMENTS**

1,259,011	A *	3/1918	Gerer	.....	160/330
2,204,723	A *	6/1940	Compton	.....	160/348
2,343,581	A *	3/1944	Reeves	.....	5/512
3,996,987	A *	12/1976	Rodriguez	.....	160/330
D314,304	S *	2/1991	Levine	.....	D6/606

D322,476	S *	12/1991	Lytle	.....	D6/610
5,615,722	A *	4/1997	Garrett et al.	.....	160/330
D427,834	S *	7/2000	Buckley	.....	D6/610
D471,049	S *	3/2003	Dale	.....	D6/596
D478,762	S *	8/2003	Cunningham	.....	D6/610
D484,351	S *	12/2003	Bridge	.....	D6/611
D540,604	S *	4/2007	Hart	.....	D6/596
2004/0045684	A1 *	3/2004	Smith et al.	.....	160/348

\* cited by examiner

*Primary Examiner*—T. Chase Nelson

*Assistant Examiner*—David G Muller

(74) *Attorney, Agent, or Firm*—Arthur M. Peslak, Esq.; Mandel & Peslak, LLC

(57) **CLAIM**

What is claimed is the ornamental design for a bed rail cover, as shown and described.

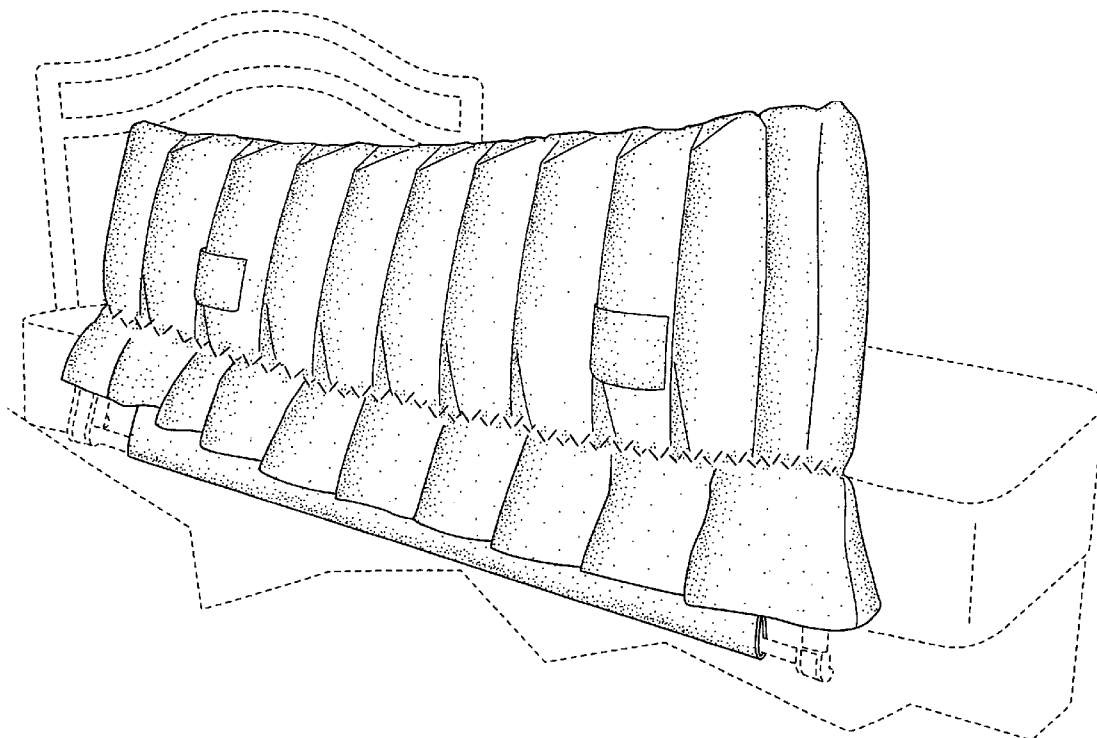
**DESCRIPTION**

FIG. 1 is a front perspective view of the bed rail cover of the present invention.

FIG. 2 is a front elevation view of the bed rail cover of the present invention; and,

FIG. 3 is a side elevation view of the bed rail cover of the present invention.

**1 Claim, 3 Drawing Sheets**



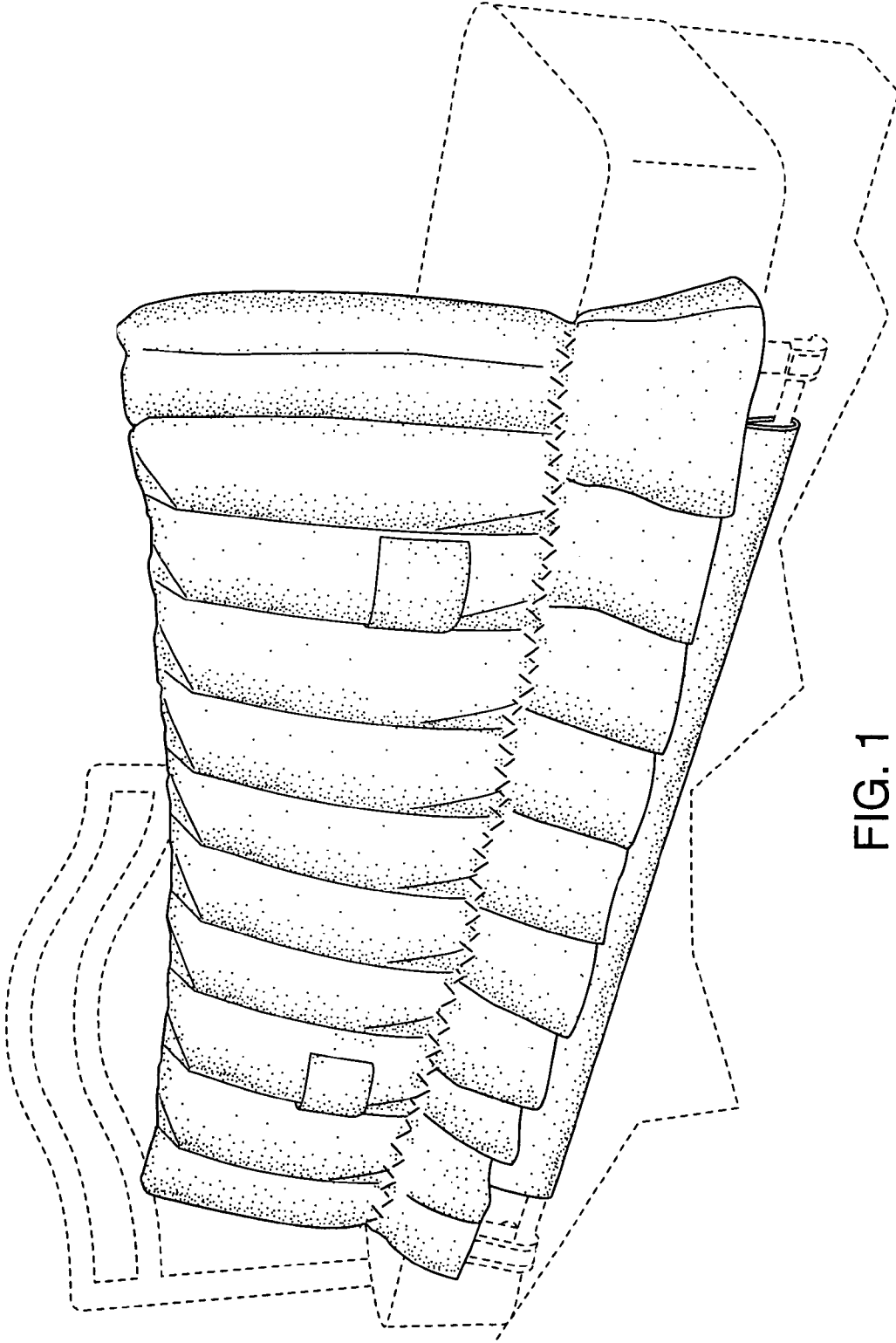


FIG. 1

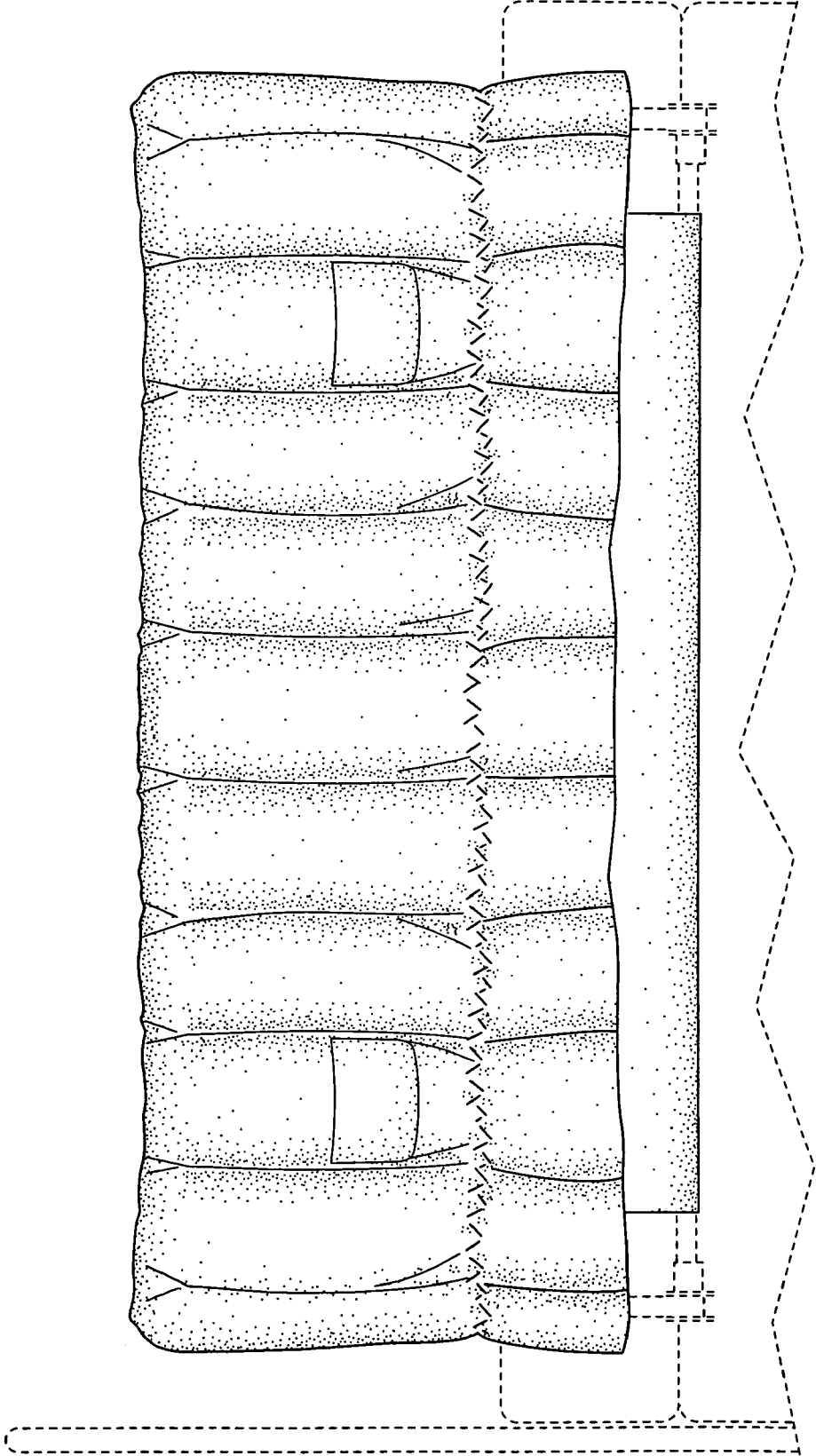


FIG. 2

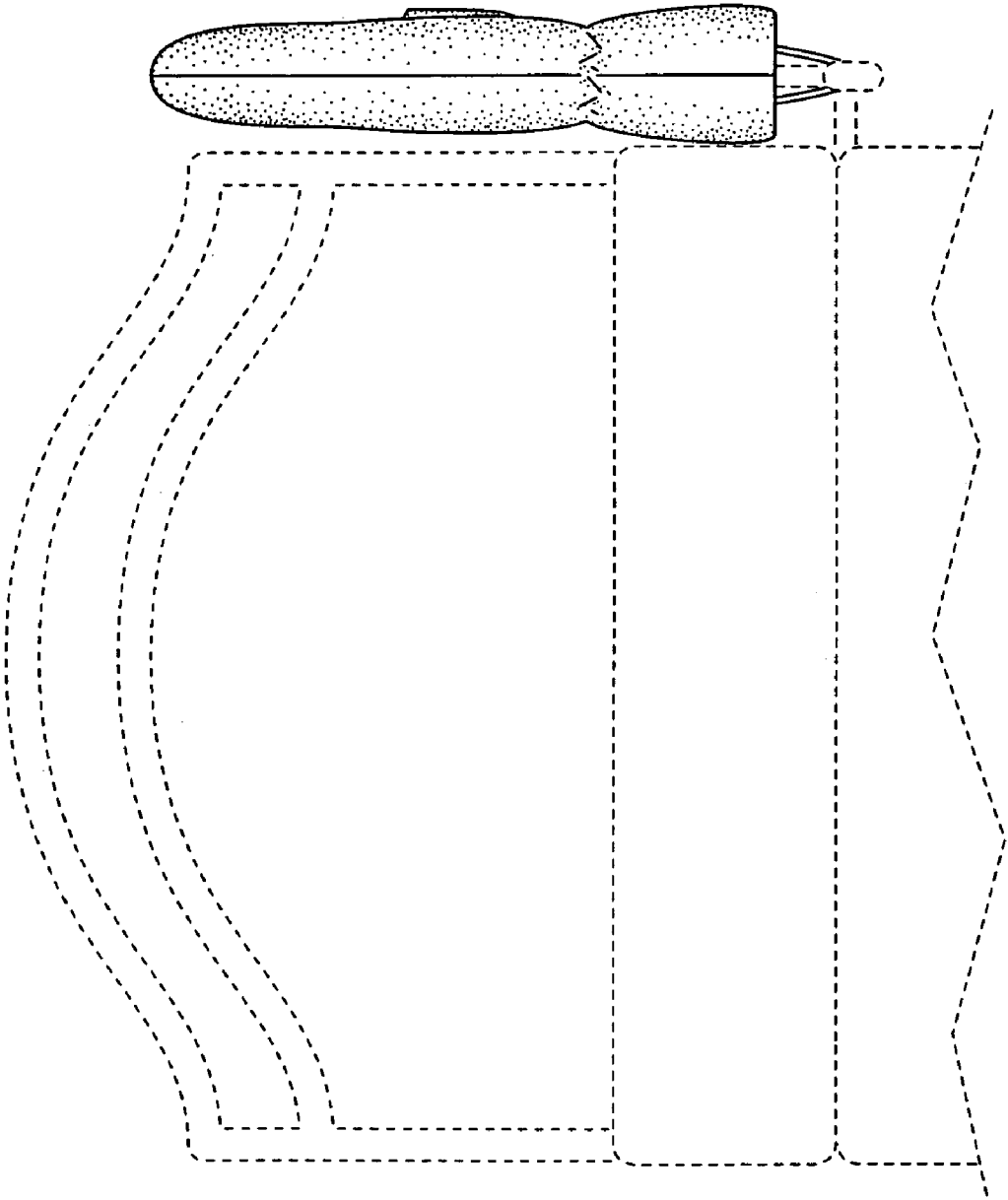


FIG. 3