

[54] MOBILE RADIO TRANSCEIVER

[75] Inventors: Masataka Suzuki; Hitoshi Masuda, both of Tokyo, Japan

[73] Assignee: NEC Corporation, Tokyo, Japan

[\*\*] Term: 14 Years

[21] Appl. No.: 523,252

[22] Filed: Aug. 15, 1983

[30] Foreign Application Priority Data

Feb. 14, 1983 [JP] Japan ..... 58-5455

[52] U.S. Cl. .... D14/68; D14/7; D14/95

[58] Field of Search ..... D14/5, 7, 68, 72, 75, D14/71, 76, 95

[56] References Cited

U.S. PATENT DOCUMENTS

- D. 260,645 9/1981 Kikuhara ..... D14/7 X
- D. 260,770 9/1981 Fukushima et al. .... D14/7 X

D. 275,854 10/1984 Nagele ..... D14/7 X

OTHER PUBLICATIONS

Radio Shack '82 Catalog #341, ©'81, p. 74, Navaho TRC-432.

Primary Examiner—Jane E. Corrigan  
Attorney, Agent, or Firm—Sughrue, Mion, Zinn, Macpeak, and Seas

[57] CLAIM

The ornamental design for a mobile radio transceiver, as shown.

DESCRIPTION

FIG. 1 is a front, top and right side perspective view of a mobile radio transceiver showing our new design; FIG. 2 is a front elevational view thereof; FIG. 3 is a rear elevational view thereof; FIG. 4 is a right side elevational view thereof; FIG. 5 is a left side elevational view thereof; FIG. 6 is a top plan view thereof; and FIG. 7 is a bottom plan view thereof.

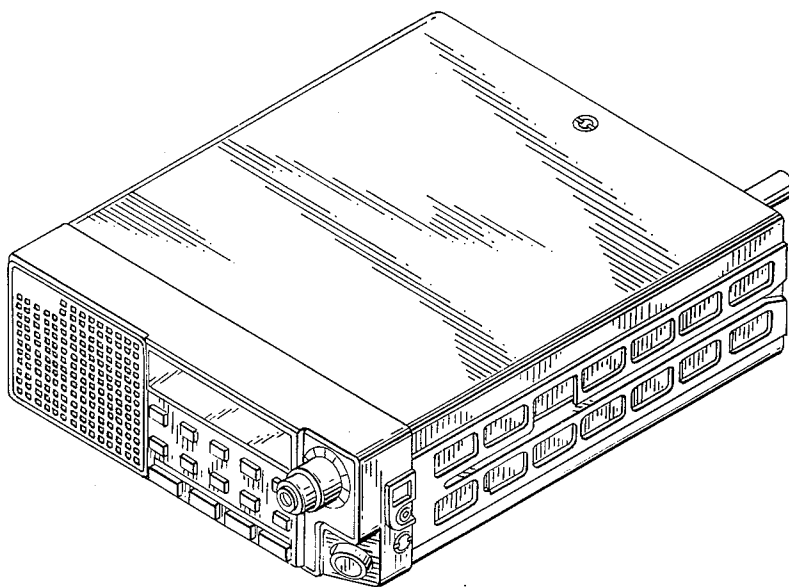


FIG. 1

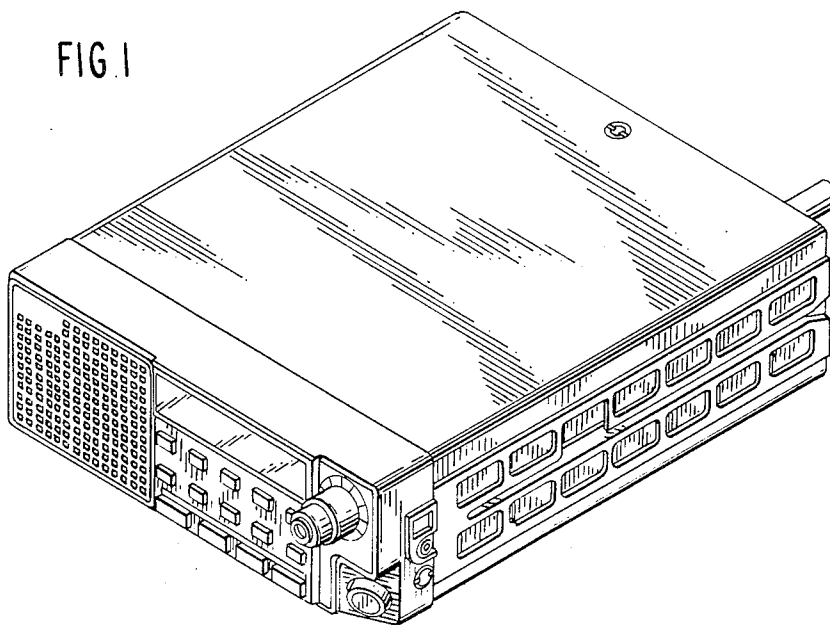


FIG. 6

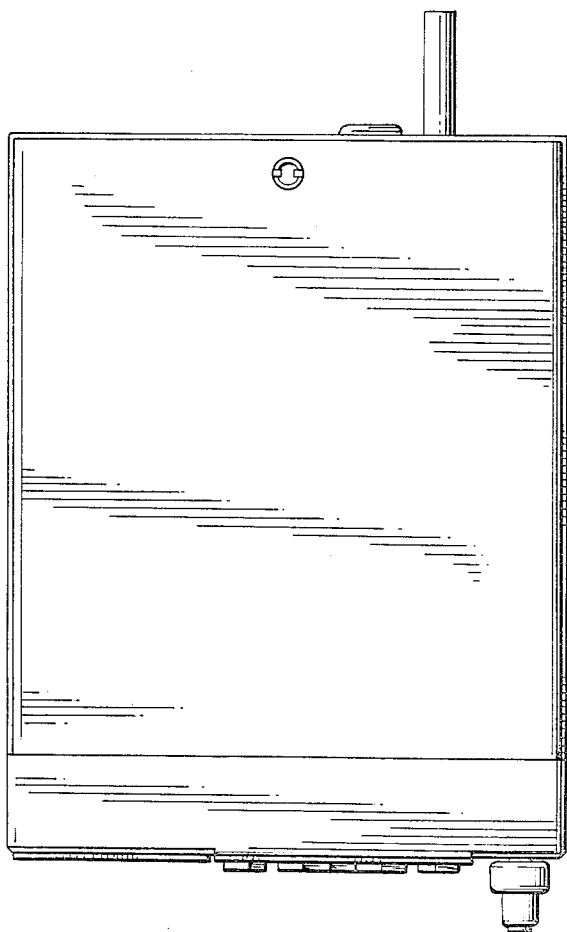


FIG. 7

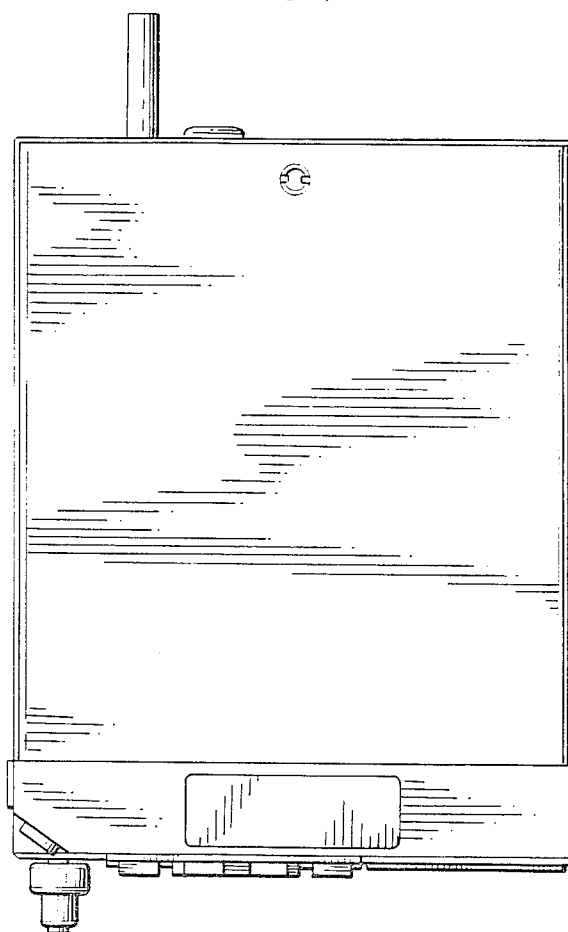


FIG. 2

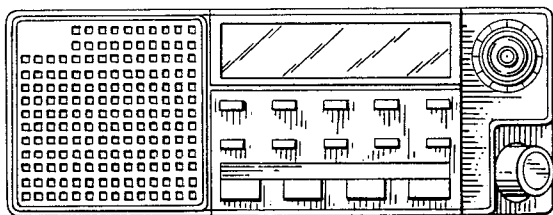


FIG. 3

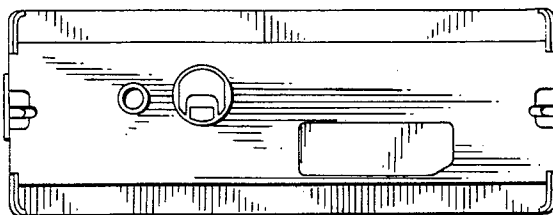


FIG. 4

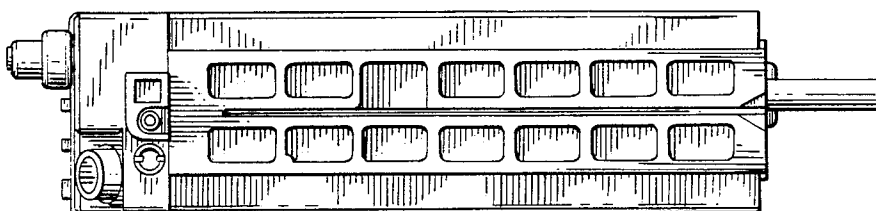


FIG. 5

