

(19) World Intellectual Property Organization
International Bureau



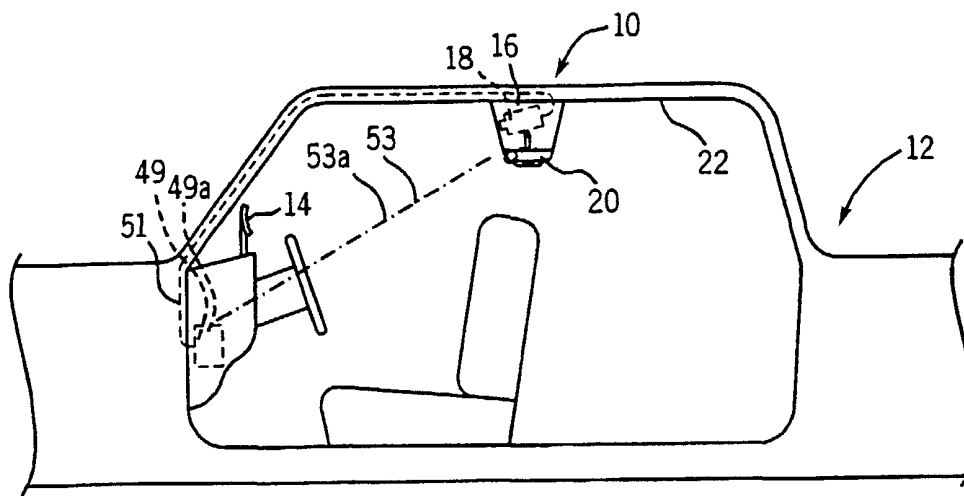
(43) International Publication Date
21 February 2002 (21.02.2002)

PCT

(10) International Publication Number
WO 02/14106 A3

- (51) International Patent Classification⁷: **B60Q 3/02**
- (21) International Application Number: PCT/US01/41609
- (22) International Filing Date: 7 August 2001 (07.08.2001)
- (25) Filing Language: English
- (26) Publication Language: English
- (30) Priority Data:
09/638,408 11 August 2000 (11.08.2000) US
- (71) Applicant (for all designated States except US): **GRP, INC.** [US/US]; 161 Coolidge Highway, Birmingham, MI 48009 (US).
- (72) Inventor; and
- (75) Inventor/Applicant (for US only): **WATKINS, D., Scott** [US/US]; 161 Coolidge Highway, Birmingham, MI 48009 (US).
- (74) Agent: **BARRON, Russell, J.**; Foley & Lardner, 777 E. Wisconsin Avenue, 33rd Floor, Milwaukee, WI 53202-5367 (US).
- (81) Designated States (*national*): AE, AG, AL, AM, AT, AU, AZ, BA, BB, BG, BR, BY, BZ, CA, CH, CN, CO, CR, CU, CZ, DE, DK, DM, DZ, EC, EE, ES, FI, GB, GD, GE, GH, GM, HR, HU, ID, IL, IN, IS, JP, KE, KG, KP, KR, KZ, LC, LK, LR, LS, LT, LU, LV, MA, MD, MG, MK, MN, MW, MX, MZ, NO, NZ, PL, PT, RO, RU, SD, SE, SG, SI, SK, SL, TJ, TM, TR, TT, TZ, UA, UG, US, UZ, VN, YU, ZA, ZW.
- (84) Designated States (*regional*): ARIPO patent (GH, GM, KE, LS, MW, MZ, SD, SL, SZ, TZ, UG, ZW), Eurasian patent (AM, AZ, BY, KG, KZ, MD, RU, TJ, TM), European patent (AT, BE, CH, CY, DE, DK, ES, FI, FR, GB, GR, IE, IT, LU, MC, NL, PT, SE, TR), OAPI patent (BF, BJ, CF, CG, CI, CM, GA, GN, GQ, GW, ML, MR, NE, SN, TD, TG).
- Published:
— with international search report
- (88) Date of publication of the international search report:
20 June 2002
- For two-letter codes and other abbreviations, refer to the "Guidance Notes on Codes and Abbreviations" appearing at the beginning of each regular issue of the PCT Gazette.

(54) Title: PROJECTOR AND ILLUMINATION DEVICE CEILING MOUNT



(57) Abstract: A projector mounting system (10) for use in a vehicle including a mounting housing (16) that is capable of being attached to the ceiling of a vehicle, an illumination device (20) that is connected to the mounting housing, and a projector (18) that is mounted to the mounting housing (16).



WO 02/14106 A3

INTERNATIONAL SEARCH REPORT

International Application No

PCT/US 01/41609

A. CLASSIFICATION OF SUBJECT MATTER
IPC 7 B60Q3/02

According to International Patent Classification (IPC) or to both national classification and IPC

B. FIELDS SEARCHED

Minimum documentation searched (classification system followed by classification symbols)

IPC 7 B60Q

Documentation searched other than minimum documentation to the extent that such documents are included in the fields searched

Electronic data base consulted during the international search (name of data base and, where practical, search terms used)

EPO-Internal

C. DOCUMENTS CONSIDERED TO BE RELEVANT

Category °	Citation of document, with indication, where appropriate, of the relevant passages	Relevant to claim No.
X	DE 37 03 847 A (HELLA KG HUECK & CO) 18 August 1988 (1988-08-18) column 2, line 30 - line 33 column 3, line 55 - line 58	1-3
A	column 4, line 52 - line 59; figure 1 ---	4
X	EP 0 899 157 A (DONNELLY CORP) 3 March 1999 (1999-03-03) abstract page 18, line 33 page 19, line 40 - line 48; figure 47 ---	1,10, 14-17
A	US 5 519 410 A (SMALANSKAS) 21 May 1996 (1996-05-21) cited in the application abstract; figure 1 column 3, line 48 - line 60 -----	4,7,11, 12

Further documents are listed in the continuation of box C.

Patent family members are listed in annex.

° Special categories of cited documents :

- *A* document defining the general state of the art which is not considered to be of particular relevance
- *E* earlier document but published on or after the international filing date
- *L* document which may throw doubts on priority claim(s) or which is cited to establish the publication date of another citation or other special reason (as specified)
- *O* document referring to an oral disclosure, use, exhibition or other means
- *P* document published prior to the international filing date but later than the priority date claimed

- *T* later document published after the international filing date or priority date and not in conflict with the application but cited to understand the principle or theory underlying the invention
- *X* document of particular relevance; the claimed invention cannot be considered novel or cannot be considered to involve an inventive step when the document is taken alone
- *Y* document of particular relevance; the claimed invention cannot be considered to involve an inventive step when the document is combined with one or more other such documents, such combination being obvious to a person skilled in the art.
- *&* document member of the same patent family

Date of the actual completion of the international search

18 March 2002

Date of mailing of the international search report

26/03/2002

Name and mailing address of the ISA
European Patent Office, P.B. 5818 Patentlaan 2
NL - 2280 HV Rijswijk
Tel. (+31-70) 340-2040, Tx. 31 651 epo nl,
Fax: (+31-70) 340-3016

Authorized officer

Soulaire, D

INTERNATIONAL SEARCH REPORT

Information on patent family members

International Application No

PCT/US 01/41609

Patent document cited in search report	Publication date	Publication date	Patent family member(s)	Publication date
DE 3703847	A	18-08-1988	DE 3703847 A1	18-08-1988
EP 0899157	A	03-03-1999	US 6124886 A EP 0899157 A1	26-09-2000 03-03-1999
US 5519410	A	21-05-1996	EP 0614104 A2 JP 6340232 A NO 940730 A	07-09-1994 13-12-1994 06-09-1994