



US00D741102S

(12) **United States Design Patent**
Glucksman et al.

(10) **Patent No.:** **US D741,102 S**

(45) **Date of Patent:** **** Oct. 20, 2015**

(54) **PORTABLE WARMING DEVICE FOR HOT BEVERAGE CONTAINERS**

(71) Applicant: **Maverick Industries, Inc.**, Edison, NJ (US)

(72) Inventors: **Dov Z. Glucksman**, Danvers, MA (US); **Laura J. Nickerson**, Fitchburg, MA (US); **Randall Soule**, Reno, NV (US)

(73) Assignee: **Maverick Industries, Inc.**, Edison, NJ (US)

(**) Term: **14 Years**

(21) Appl. No.: **29/504,810**

(22) Filed: **Oct. 9, 2014**

(51) **LOC (10) Cl.** **07-02**

(52) **U.S. Cl.**
USPC **D7/323**

(58) **Field of Classification Search**

USPC D3/211; D7/323, 354-363, 391, D7/393-396, 409, 513, 532
CPC A47G 19/12; A47G 19/2272; A47J 27/00; A47J 27/002; A47J 27/08; A47J 27/21; A47J 27/58; A47J 36/025; A47J 36/06; A47J 36/12; A47J 37/00; A47J 37/10; A47J 37/101; A47J 37/103; A47J 37/12; A47J 37/1204; A47J 43/042; A47J 45/061; A47J 45/071; A47J 45/08; H05B 6/12; F25D 31/007

See application file for complete search history.

(56) **References Cited**

U.S. PATENT DOCUMENTS

1,414,494 A 5/1922 Amtfield
2,419,416 A 4/1947 Mustain
2,516,637 A 7/1950 McCollum
2,863,037 A 12/1958 Johnstone
4,095,090 A 6/1978 Pianezza

4,463,664 A 8/1984 Peace
4,801,782 A 1/1989 Ineson
5,208,896 A 5/1993 Katayev
5,283,420 A 2/1994 Montalto
5,508,494 A 4/1996 Sarris et al.
D379,738 S 6/1997 Liming et al.
D386,948 S 12/1997 Wissinger
6,037,570 A 3/2000 Noles
6,072,161 A 6/2000 Stein
6,075,229 A 6/2000 Vanselow
6,121,585 A 9/2000 Dam
6,140,614 A 10/2000 Padamsee
6,192,787 B1 2/2001 Montalto
6,403,928 B1 6/2002 Ford
6,511,031 B2 1/2003 Lin

(Continued)

Primary Examiner — Ricky Pham

(74) *Attorney, Agent, or Firm* — Doherty IP Law Group LLC

(57) **CLAIM**

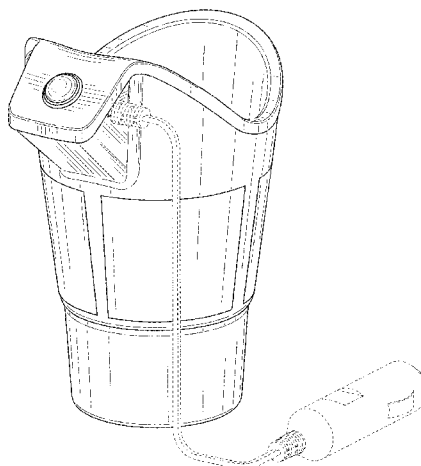
The ornamental design for a portable warming device for hot beverage containers, as shown and described.

DESCRIPTION

FIG. 1 is a perspective view of a portable warming device for hot beverage containers, showing our new design; FIG. 2 is a front elevation view of the portable warming device for hot beverage containers shown in FIG. 1; FIG. 3 is a rear elevation view of the portable warming device for hot beverage containers shown in FIG. 1; FIG. 4 is a right side view of the portable warming device for hot beverage containers shown in FIG. 1; FIG. 5 is a left side view of the portable warming device for hot beverage containers shown in FIG. 1; FIG. 6 is a top plan view of the portable warming device for hot beverage containers shown in FIG. 1; and, FIG. 7 is a bottom view of the portable warming device for hot beverage containers shown in FIG. 1.

The broken lines in the drawings form no part of the claimed design for a portable warming device for hot beverage containers.

1 Claim, 7 Drawing Sheets



(56)

References Cited

U.S. PATENT DOCUMENTS

6,530,232 B1 *	3/2003	Kitchens	F25D 31/007 62/3.2	D655,573 S *	3/2012	O'Connor	D7/509
D473,104 S	4/2003	Salesman-Loken et al.		D658,922 S	5/2012	Fallon et al.	
D480,601 S *	10/2003	Pettaweebuncha	D7/509	8,274,016 B2	9/2012	Montana	
6,674,052 B1	1/2004	Luo		D687,254 S	8/2013	Soule	
6,703,590 B1	3/2004	Holley, Jr.		8,590,731 B2 *	11/2013	Pinelli	A47G 19/2272 220/715
6,852,954 B1	2/2005	Liu et al.		D721,887 S *	2/2015	Romley	D3/211
6,864,462 B2	3/2005	Sanoner et al.		D732,343 S *	6/2015	Romley	D7/532
6,870,135 B2	3/2005	Hamm et al.		2002/0023912 A1	2/2002	McGee et al.	
7,022,946 B2	4/2006	Sanoner et al.		2002/0175158 A1	11/2002	Sanoner et al.	
D570,159 S	6/2008	McGill		2004/0140304 A1	7/2004	Leyendecker	
7,717,613 B1 *	5/2010	Epps	A47J 43/042 366/205	2006/0186297 A1	8/2006	Lore, Sr.	
				2009/0038317 A1	2/2009	Otey	
				2010/0089901 A1	4/2010	Montana	
				2013/0098893 A1	4/2013	Soule	
				2013/0306617 A1	11/2013	Soule	

* cited by examiner

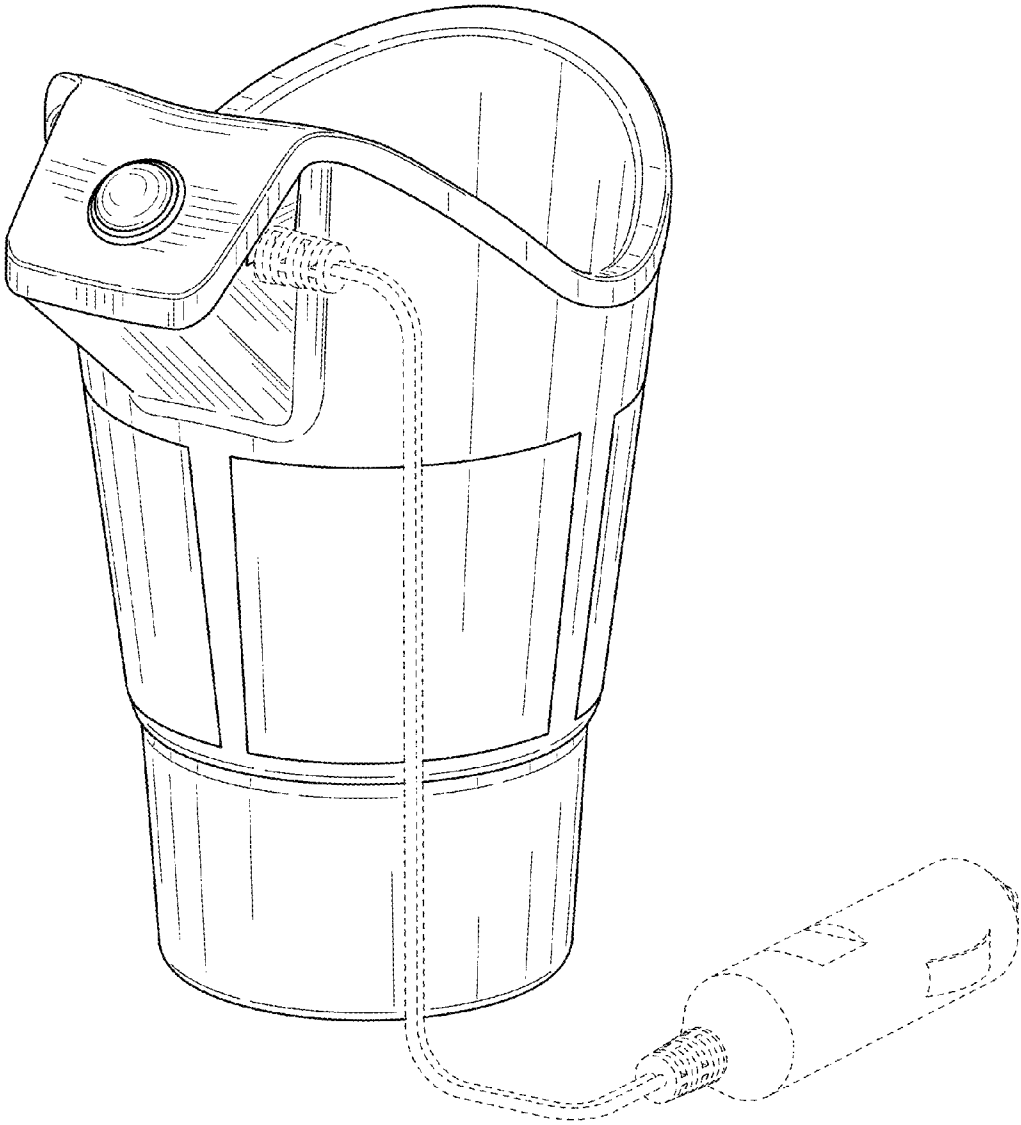


FIG. 1

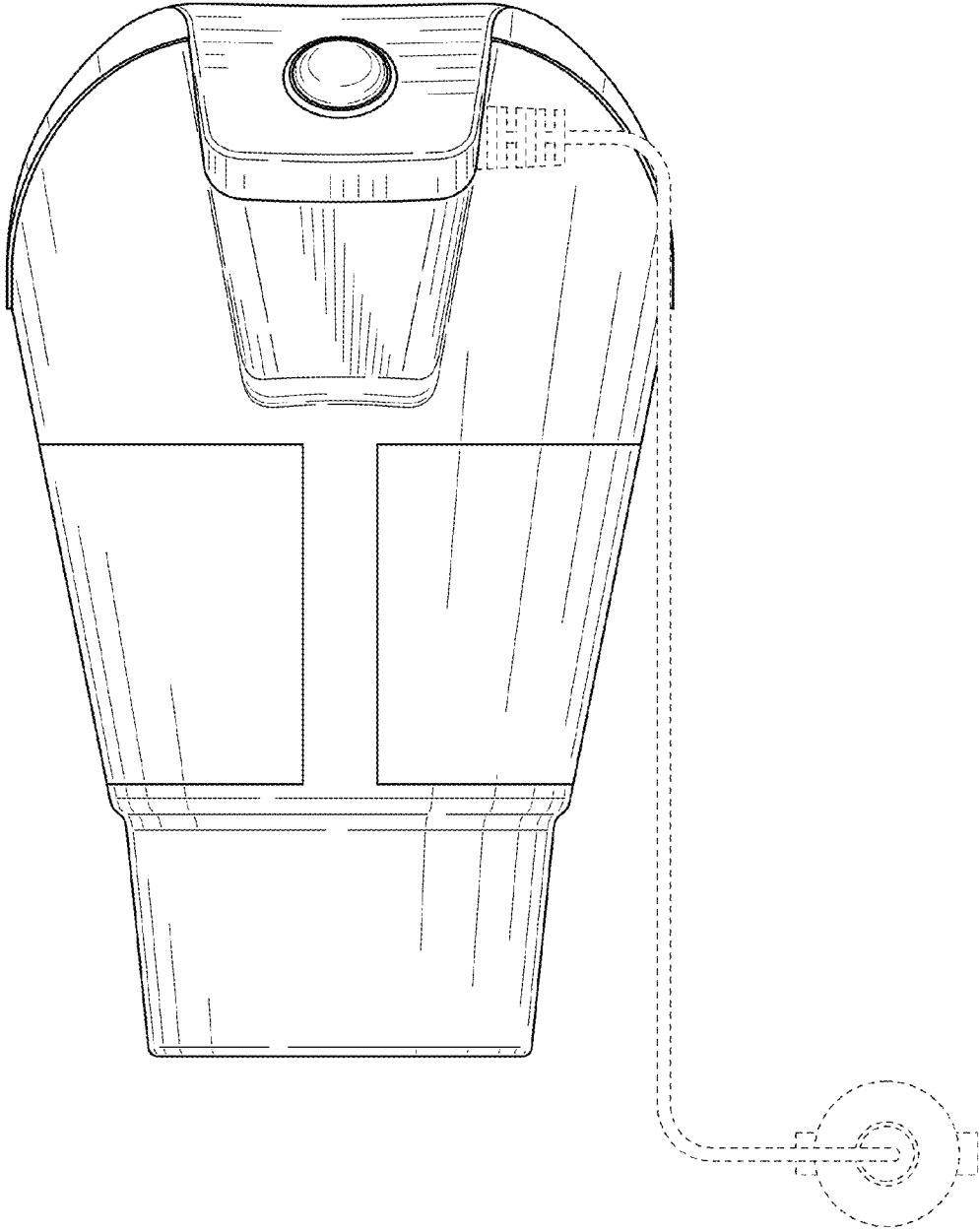


FIG. 2

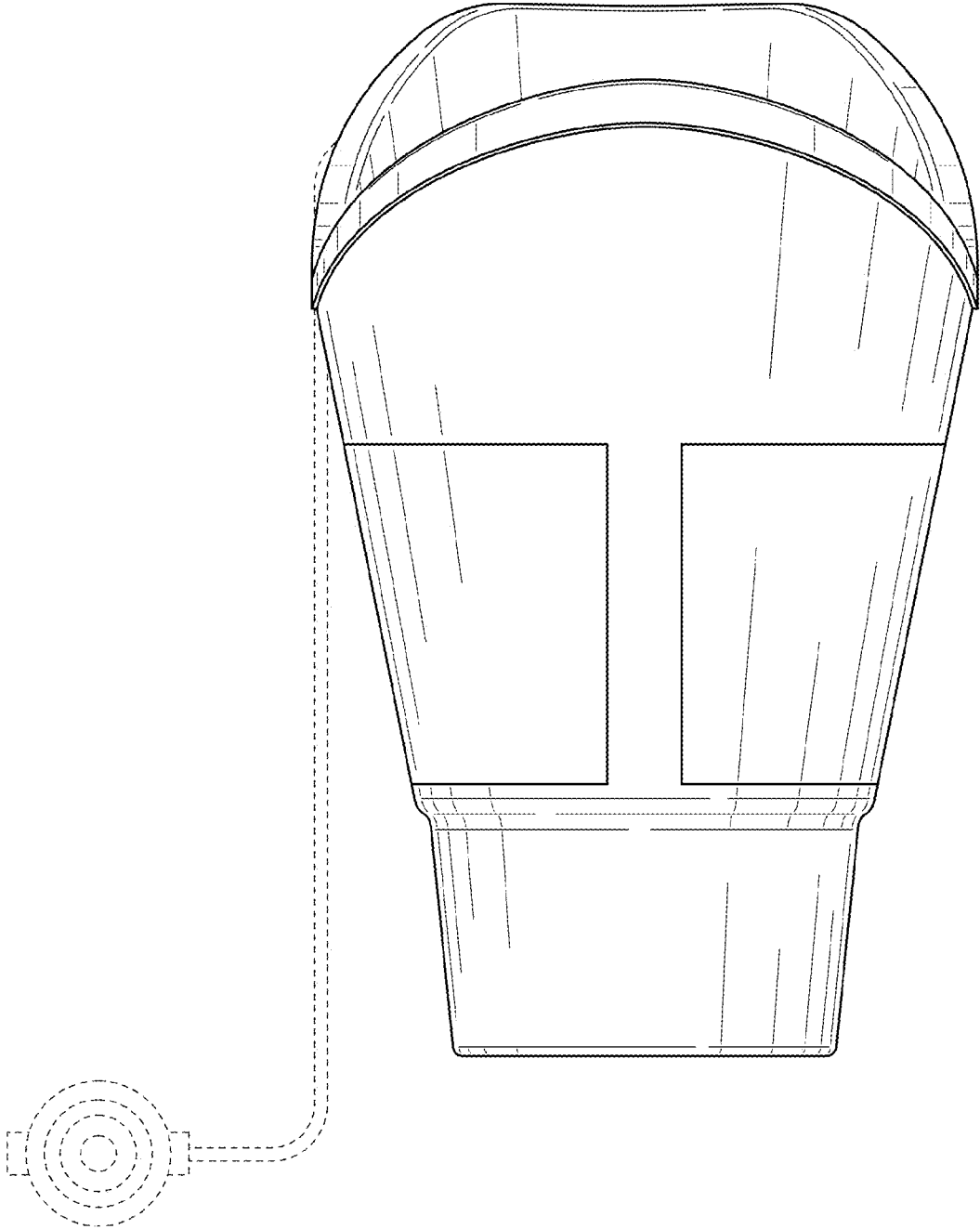


FIG. 3

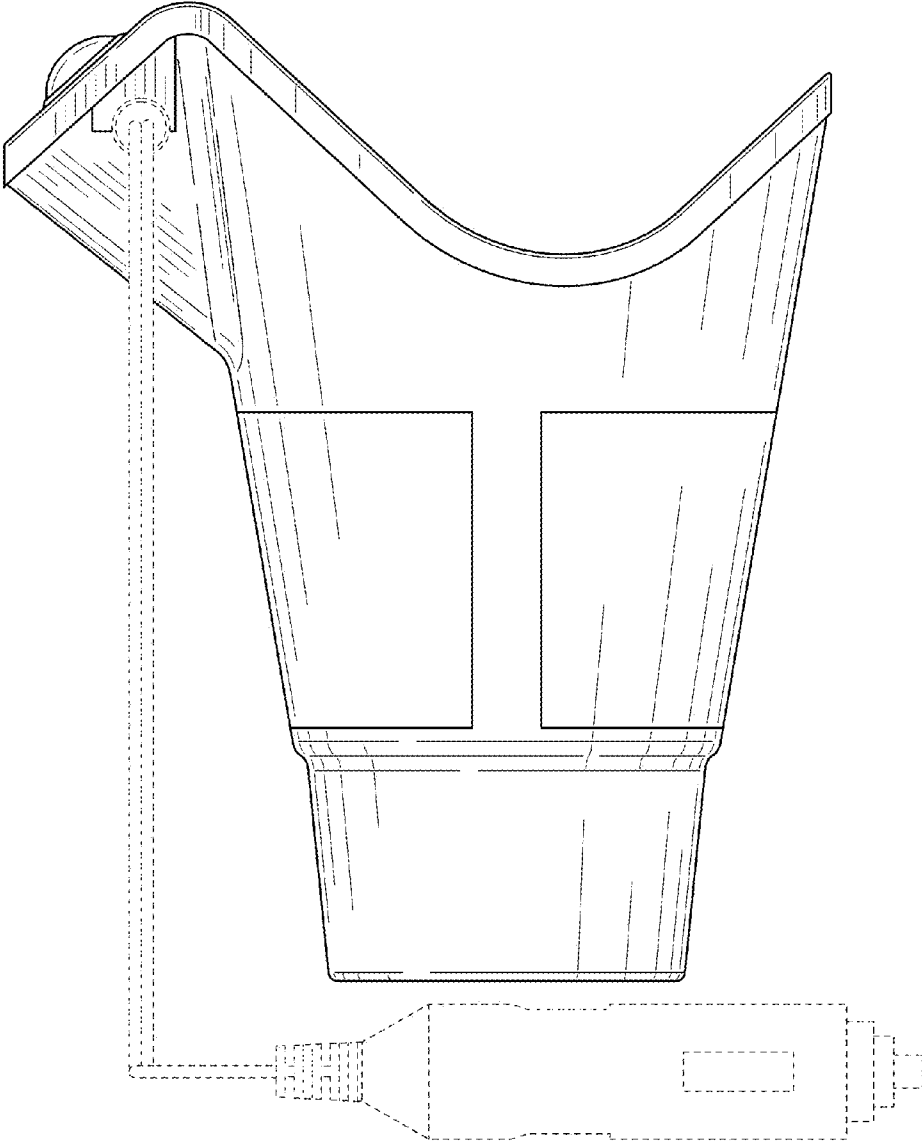


FIG. 4

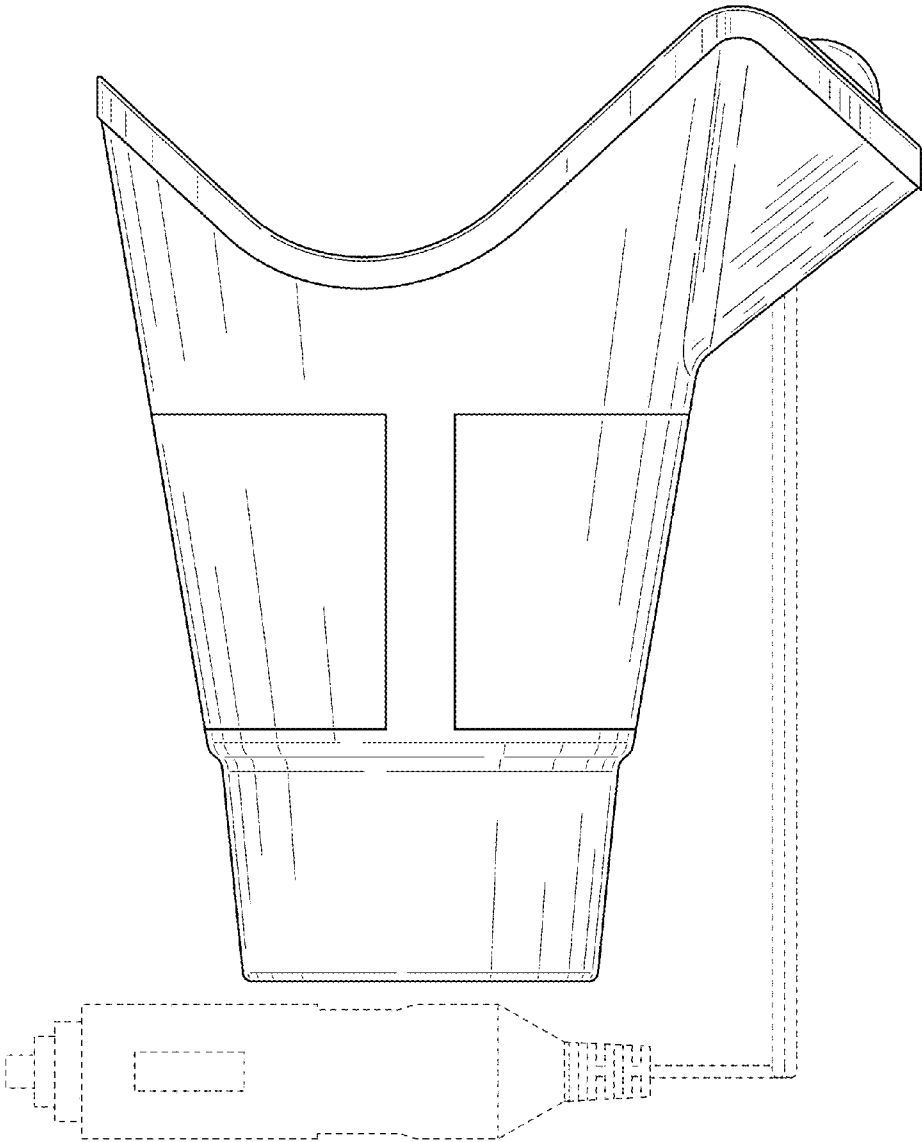


FIG. 5

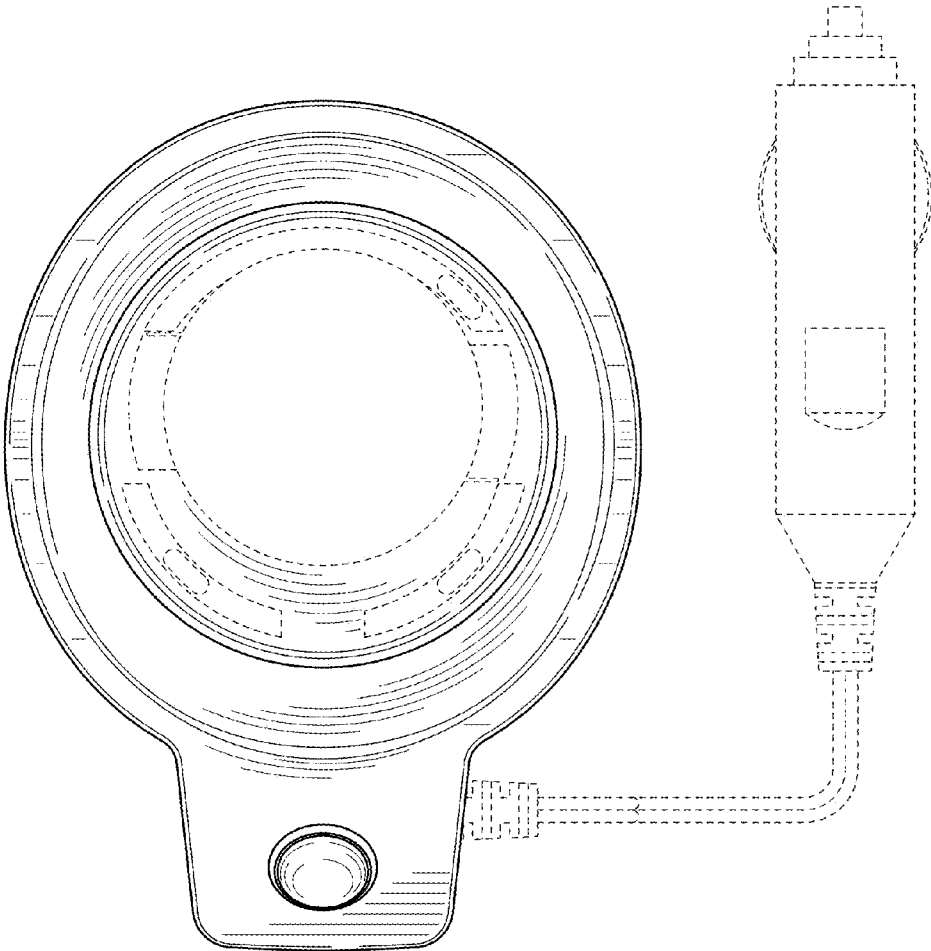


FIG. 6

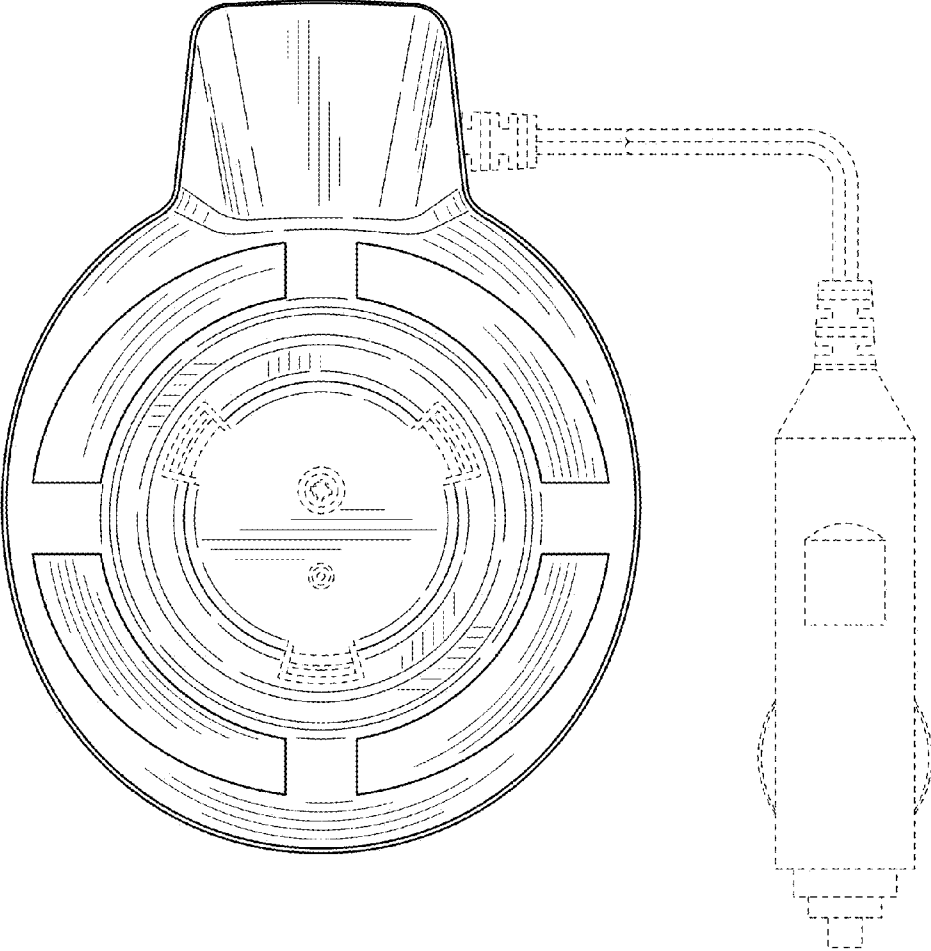


FIG. 7