

(12) **United States Design Patent**  
**Merati**

(10) **Patent No.:** **US D808,468 S**  
(45) **Date of Patent:** **\*\* \*Jan. 23, 2018**

- (54) **DOUBLE DECK PLAYING CARD SHOE**
- (71) Applicant: **Bruce Merati**, San Diego, CA (US)
- (72) Inventor: **Bruce Merati**, San Diego, CA (US)
- (73) Assignee: **Uplay1**, Las Vegas, NV (US)
- (\* ) Notice: This patent is subject to a terminal disclaimer.
- (\*\*) Term: **14 Years**
- (21) Appl. No.: **29/519,689**
- (22) Filed: **Mar. 6, 2015**
- (51) **LOC (11) Cl.** ..... **21-01**
- (52) **U.S. Cl.**  
USPC ..... **D21/392**
- (58) **Field of Classification Search**  
USPC ..... D21/392–396  
CPC ..... A63F 1/10; A63F 1/12; A63F 1/14; A63F 1/18; A63F 3/00157; G07F 17/32; G07F 17/3293; G06T 7/001; G06T 7/0004  
See application file for complete search history.

6,582,301 B2 *	6/2003	Hill	.....	A63F 1/14
				273/149 R
6,637,622 B1 *	10/2003	Robinson	.....	A63F 1/14
				221/232
7,740,244 B2 *	6/2010	Ho	.....	A63F 1/12
				273/148 A
8,170,323 B2 *	5/2012	Downs, III	.....	273/148 A
8,636,285 B2 *	1/2014	Grauzer	.....	273/148 A
2006/0063577 A1 *	3/2006	Downs	.....	A63F 1/18
				463/11
2007/0138743 A1 *	6/2007	Fleckenstein	.....	A63F 1/14
				273/149 R
2007/0216092 A1 *	9/2007	Fleckenstein	.....	A63F 1/14
				273/149 R
2008/0111300 A1 *	5/2008	Czyzewski	.....	A63F 1/14
				273/149 R
2011/0079956 A1 *	4/2011	Emori	.....	A63F 1/14
				273/149 R
2011/0130185 A1 *	6/2011	Walker	.....	A63F 1/14
				463/13
2011/0198805 A1 *	8/2011	Downs, III	.....	A63F 1/14
				273/149 R

(Continued)

*Primary Examiner* — Darlington Ly  
*Assistant Examiner* — Daniel J Domino  
(74) *Attorney, Agent, or Firm* — Thibault Patent Group

(57) **CLAIM**

I claim the ornamental design for a double deck playing card shoe, as shown.

**DESCRIPTION**

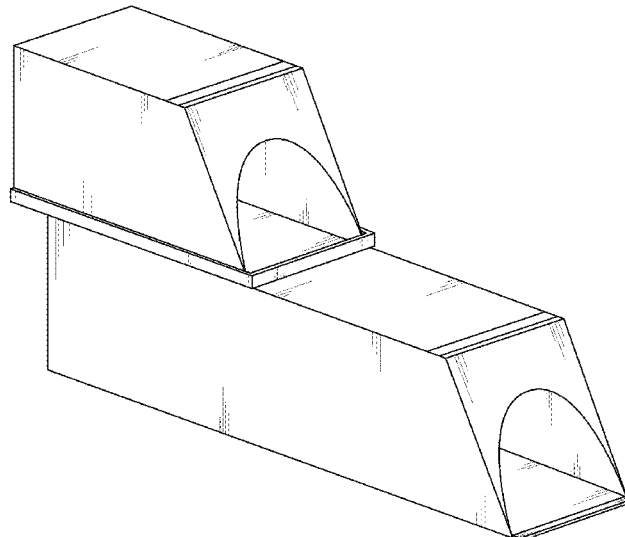
FIG. 1 is a perspective view of a double deck playing card shoe, showing my new design;  
FIG. 2 is a top view thereof;  
FIG. 3 is a left side view thereof;  
FIG. 4 is a right side view thereof;  
FIG. 5 is a bottom view thereof;  
FIG. 6 is a front view thereof; and,  
FIG. 7 is a back view thereof.

**1 Claim, 5 Drawing Sheets**

(56) **References Cited**

U.S. PATENT DOCUMENTS

D132,360 S *	5/1942	Gardner	.....	273/148 A
D139,530 S *	11/1944	Schindler	.....	273/148 A
4,457,512 A *	7/1984	Stevenson	.....	A63F 1/14
				211/51
4,750,743 A *	6/1988	Nicoletti	.....	A63F 1/14
				211/51
5,374,061 A *	12/1994	Albrecht	.....	A63F 1/14
				273/149 R
5,941,769 A *	8/1999	Order	.....	A63F 1/18
				273/149 R
D432,589 S *	10/2000	Hill	.....	D21/396
6,402,142 B1 *	6/2002	Warren	.....	A63F 1/14
				273/148 A



(56)

**References Cited**

U.S. PATENT DOCUMENTS

2013/0228971	A1*	9/2013	Flynn .....	A63F 1/14
				273/149 R
2014/0091523	A1*	4/2014	Madding .....	A63F 1/14
				273/149 R
2015/0238849	A1*	8/2015	Shigeta .....	A63F 1/14
				463/12

\* cited by examiner

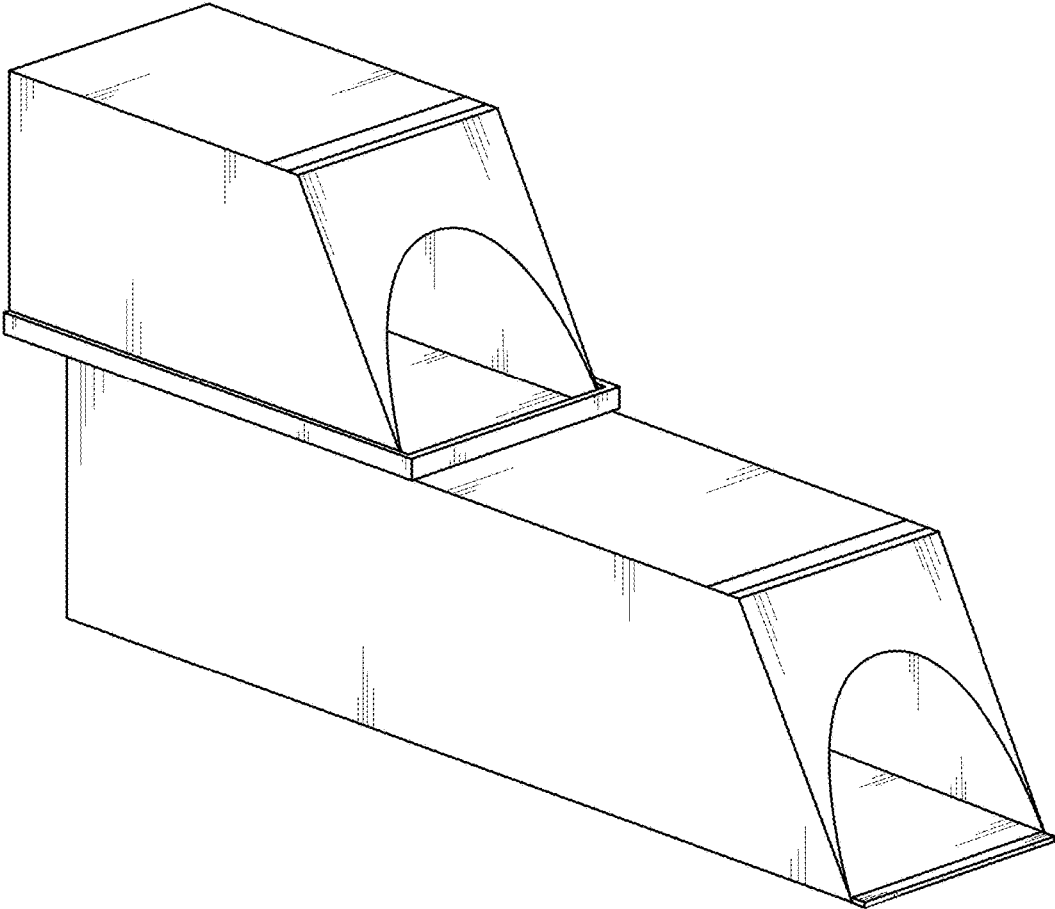


Fig. 1

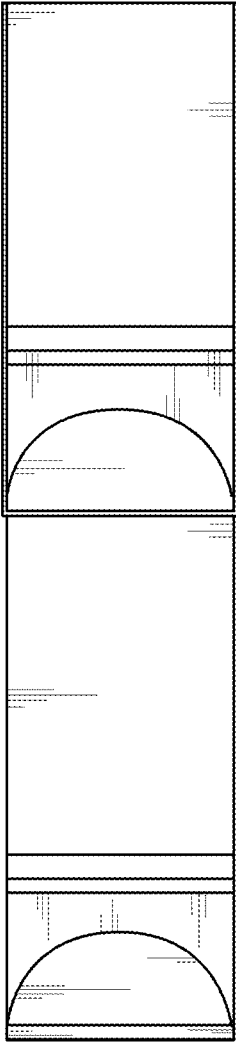


Fig. 2

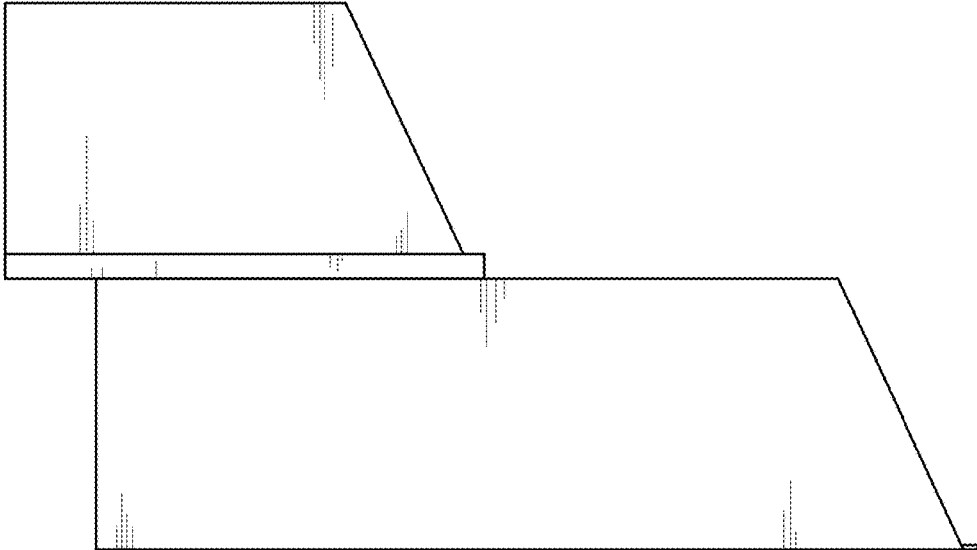


Fig. 3

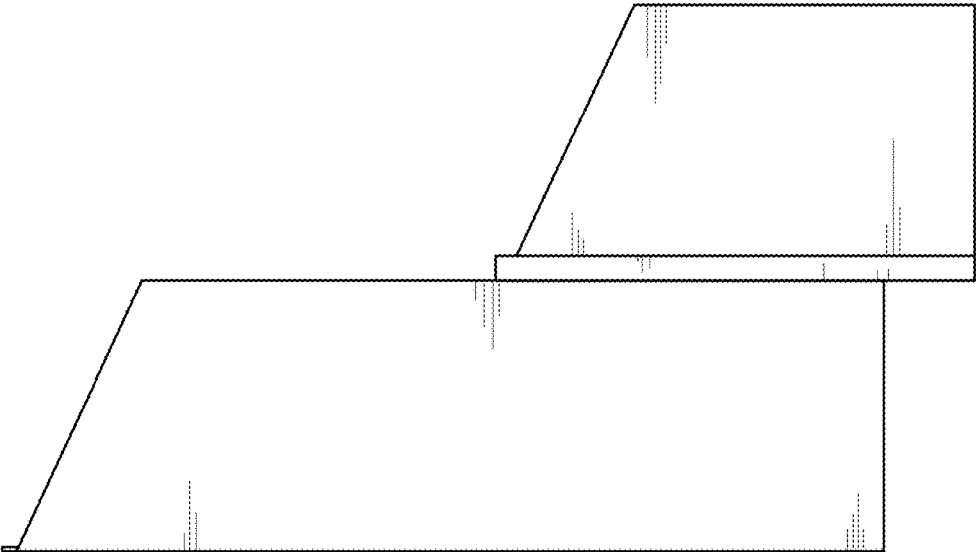


Fig. 4

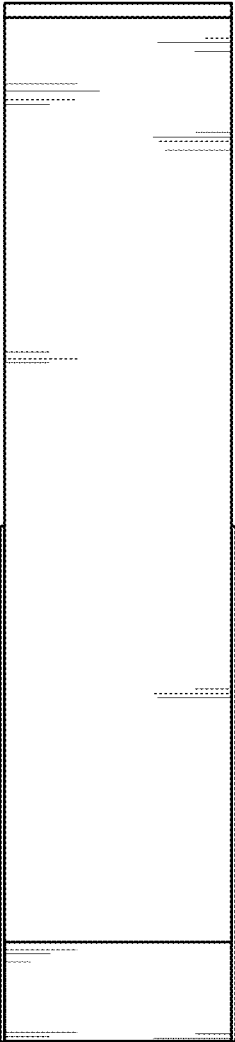


Fig. 5

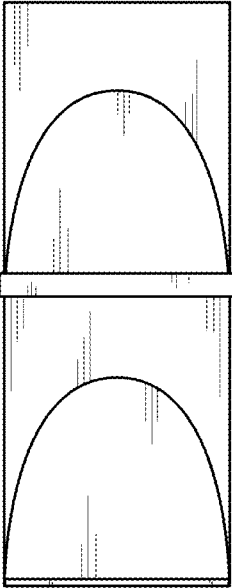


Fig. 6

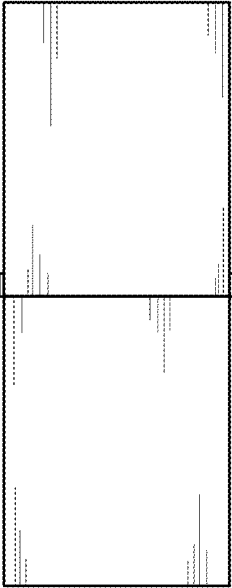


Fig. 7