



US00D508554S

(12) **United States Design Patent**
Kennard

(10) **Patent No.:** **US D508,554 S**

(45) **Date of Patent:** **** Aug. 16, 2005**

(54) **FAUCET HANDLE AND BASE**

D428,118 S * 7/2000 McKeone D23/252
D458,346 S * 6/2002 Mullenmeister D23/252

(75) **Inventor:** **Dan Kennard, Norcross, GA (US)**

* cited by examiner

(73) **Assignee:** **Fusion Hardware Group, Inc.,
Norcross, GA (US)**

Primary Examiner—Louis S. Zarfaz

Assistant Examiner—Gregory Andoll

(**) **Term:** **14 Years**

(74) *Attorney, Agent, or Firm*—Troxell Law Office PLLC

(21) **Appl. No.:** **29/206,820**

(57) **CLAIM**

(22) **Filed:** **Jun. 4, 2004**

The ornamental design for faucet handle and base, as shown and described.

(51) **LOC (8) Cl.** **23-01**

(52) **U.S. Cl.** **D23/252**

(58) **Field of Search** D23/238–243,
D23/245, 250–257; D8/300–322, 350–353,
DIG. 3; 16/110.1; 4/675–678; 137/801

DESCRIPTION

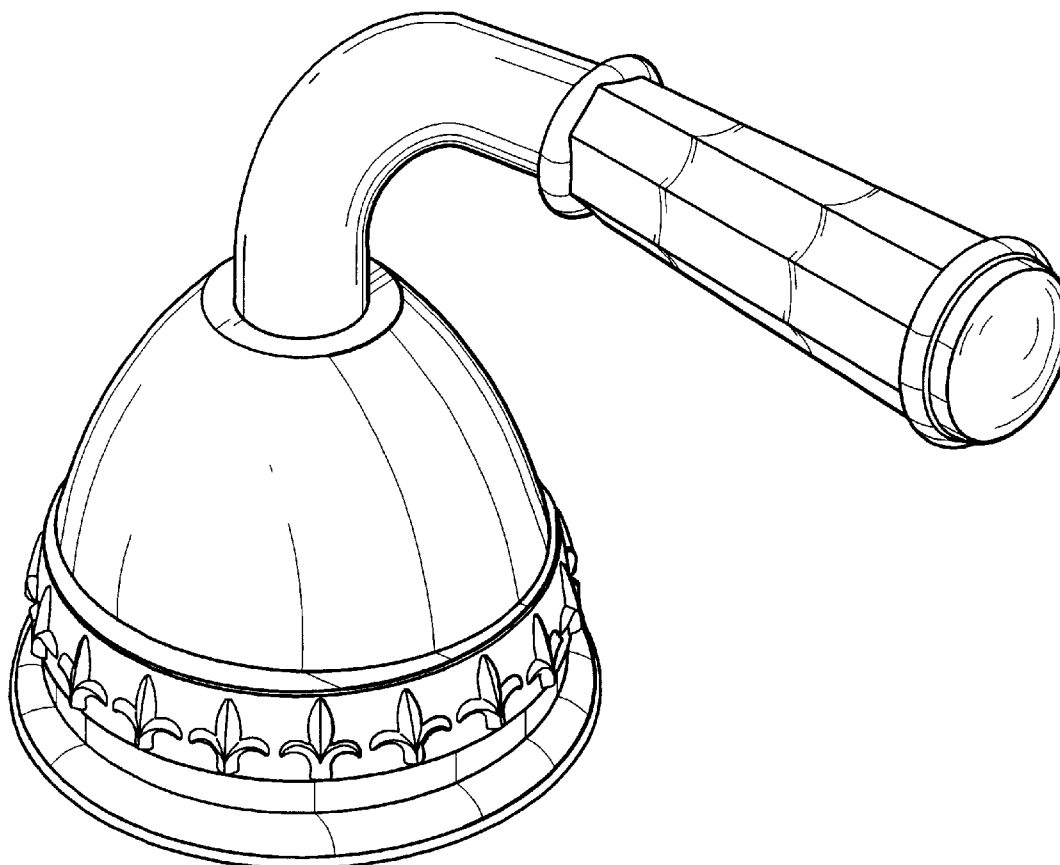
FIG. 1 is a perspective view of faucet handle and base showing my new design;
FIG. 2 is a front elevational view thereof;
FIG. 3 is a rear elevational view thereof;
FIG. 4 is a left elevational view thereof;
FIG. 5 is a right elevational view thereof;
FIG. 6 is a top plan view thereof; and,
FIG. 7 is a bottom plan view thereof.

(56) **References Cited**

U.S. PATENT DOCUMENTS

D364,217 S * 11/1995 Dubin D23/252
D391,351 S * 2/1998 Ko D23/250
D395,812 S * 7/1998 Doughty et al. D8/321

1 Claim, 4 Drawing Sheets



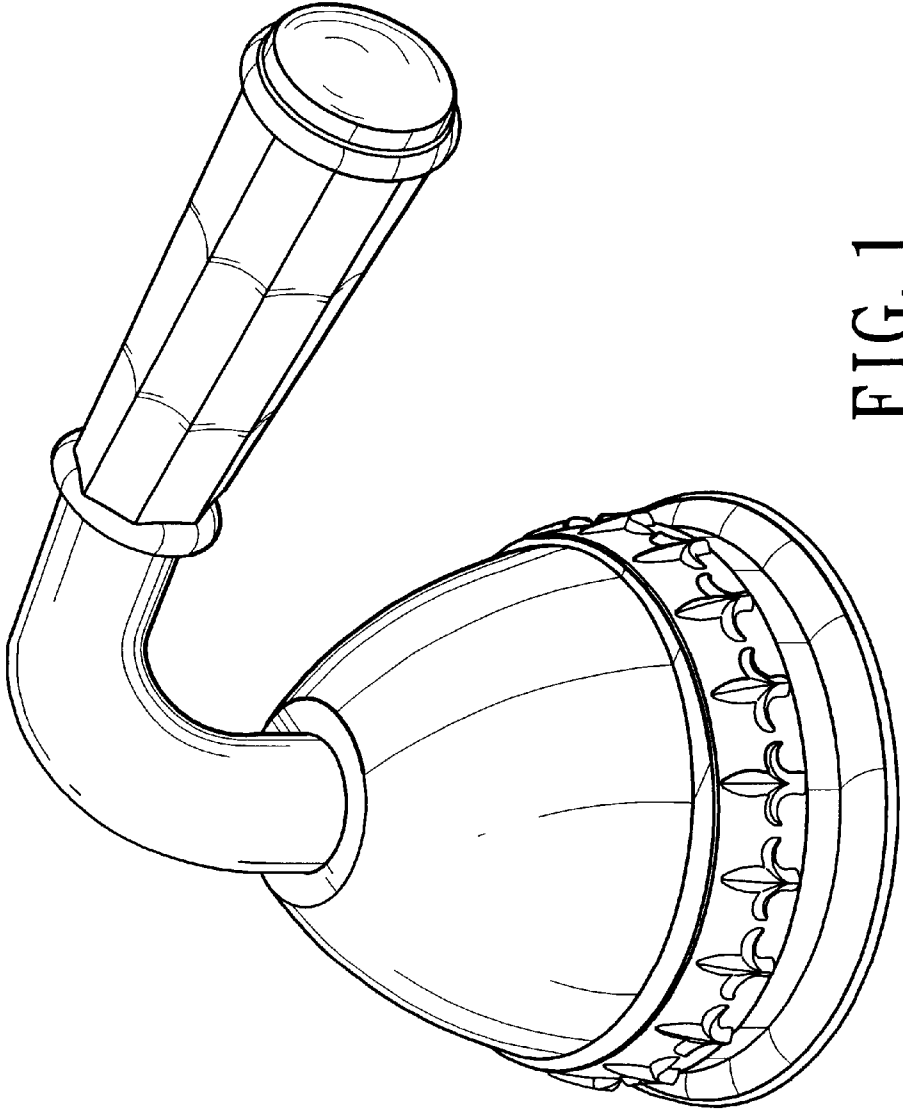


FIG. 1

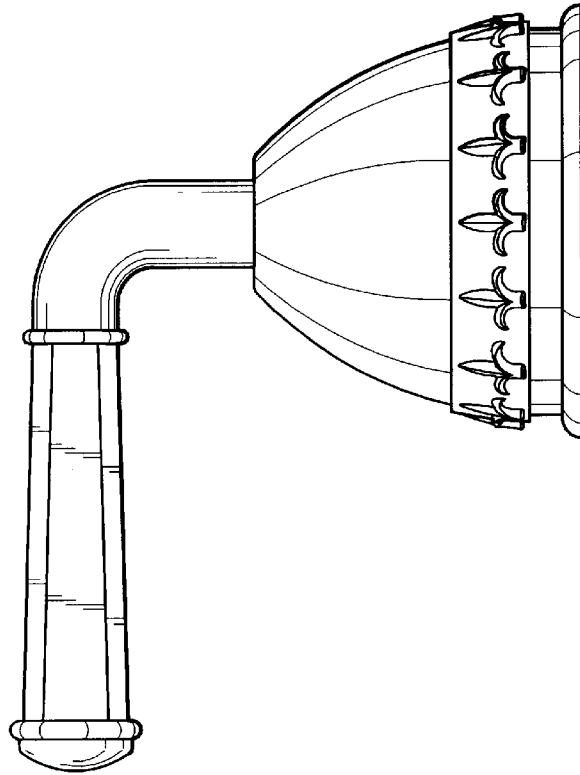


FIG. 2

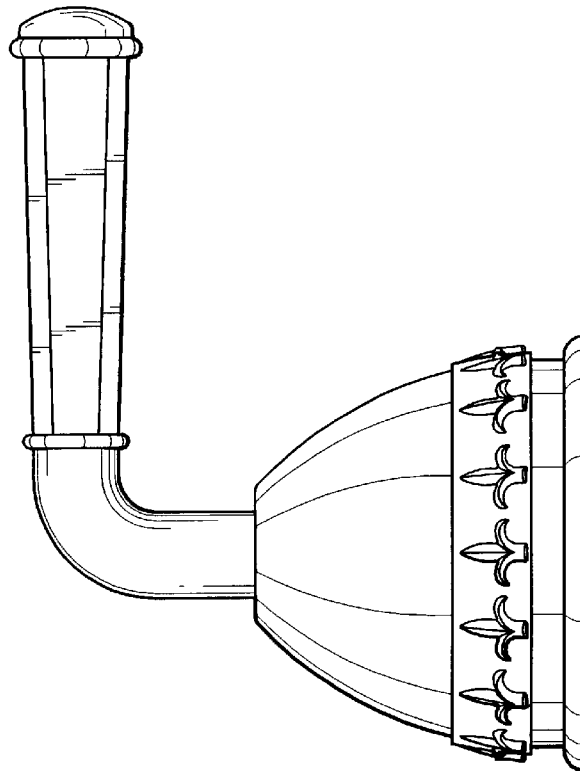


FIG. 3

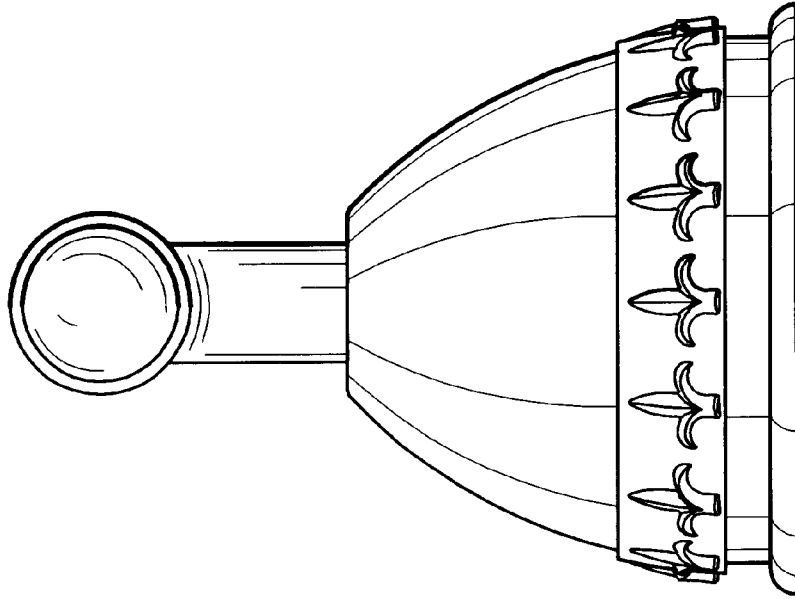


FIG. 5

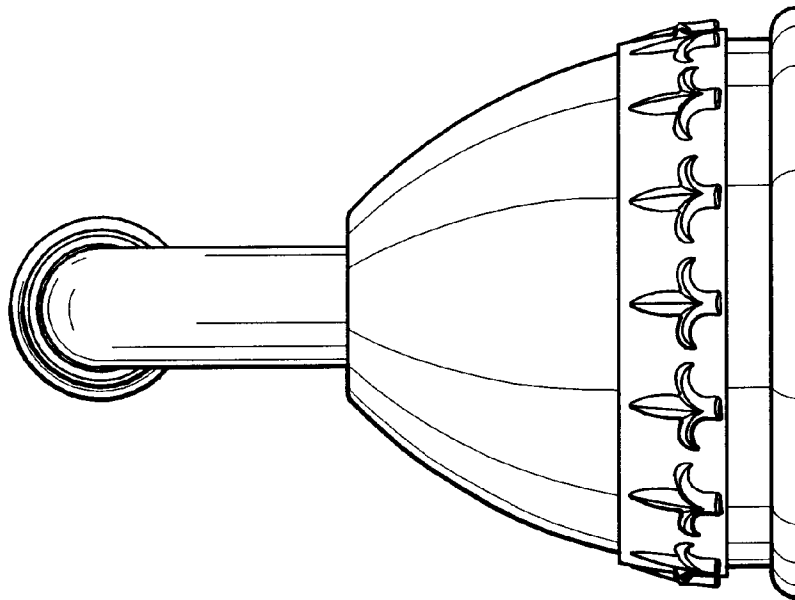


FIG. 4

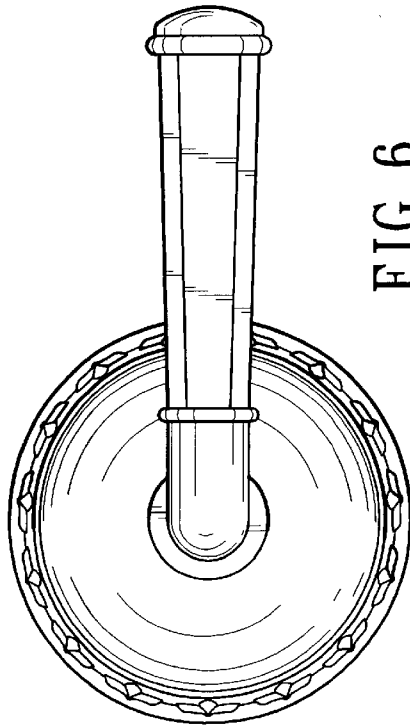


FIG. 6

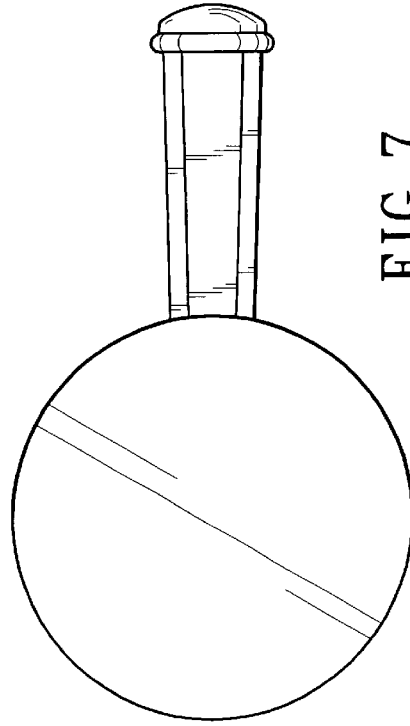


FIG. 7