



US00D794211S

(12) **United States Design Patent**  
**Ang et al.**

(10) **Patent No.:** **US D794,211 S**

(45) **Date of Patent:** **\*\* Aug. 8, 2017**

- (54) **SEQUENCING INSTRUMENT**
- (71) Applicant: **Illumina, Inc.**, San Diego, CA (US)
- (72) Inventors: **Beng Keong Ang**, Singapore (SG);  
**Paul O. Ramstad**, Auburn, CA (US);  
**Scott Janis**, San Francisco, CA (US);  
**Guang Chao Guan**, Singapore (SG);  
**Marcelle Nadine Yvette van Beusekom**, San Francisco, CA (US)
- (73) Assignee: **Illumina, Inc.**, San Diego, CA (US)
- (\*\*) Term: **15 Years**
- (21) Appl. No.: **29/549,169**
- (22) Filed: **Dec. 18, 2015**
- (51) **LOC (10) Cl.** ..... **24-01**
- (52) **U.S. Cl.**  
USPC ..... **D24/232**
- (58) **Field of Classification Search**  
USPC ..... D24/216-219, 231, 232, 233, 107, 169,  
D24/186; D10/81  
CPC ..... G01N 2035/00306; G01N 2035/00326;  
G01N 2035/00336; G01N 2030/027;  
G01N 35/1085; G01N 2021/6432; C12Q  
1/6869; C12Q 1/6806  
See application file for complete search history.

- D649,075 S \* 11/2011 Chan ..... D10/81
- D680,657 S \* 4/2013 Lee ..... D24/216
- D685,277 S \* 7/2013 Ammon ..... D10/81
- D693,939 S \* 11/2013 Iseki ..... D24/216

(Continued)

**OTHER PUBLICATIONS**

Machine Translation of Office Action in related Israel Application No. 58754 dated Oct. 10, 2016.

(Continued)

*Primary Examiner* — Anhdao Doan

(74) *Attorney, Agent, or Firm* — Knobbe Martens Olson & Bear LLP

(57) **CLAIM**

The ornamental design for a sequencing instrument, as shown and described.

**DESCRIPTION**

FIG. 1 is a right side perspective view of an embodiment of a sequencing instrument in accordance with the present invention.

FIG. 2 is a left side perspective view of the sequencing instrument of FIG. 1.

FIG. 3 is a front view of the sequencing instrument of FIG. 1.

FIG. 4 is a rear view of the sequencing instrument of FIG. 1.

FIG. 5 is a left side view of the sequencing instrument of FIG. 1.

FIG. 6 is a right side view of the sequencing instrument of FIG. 1.

FIG. 7 is a top view of the sequencing instrument of FIG. 1; and,

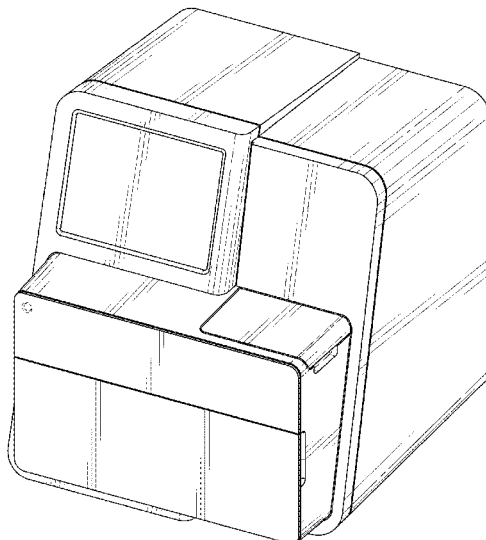
FIG. 8 is a bottom view of the sequencing instrument of FIG. 1. The broken lines immediately adjacent the shaded areas represent the bounds of the claim, and all other broken lines are directed to the environment. The broken lines form no part of the claimed design.

**1 Claim, 8 Drawing Sheets**

(56) **References Cited**

**U.S. PATENT DOCUMENTS**

- D338,419 S 8/1993 Frenkel et al.
- D378,782 S 4/1997 LaBarbera et al.
- D381,756 S 7/1997 Ohnuma et al.
- D474,279 S 5/2003 Mayer et al.
- 6,689,318 B1 2/2004 Spork et al.
- D489,816 S \* 5/2004 Ross ..... D24/186
- D523,153 S 6/2006 Akashi et al.
- D537,951 S 3/2007 Okamoto et al.
- D571,474 S \* 6/2008 Sjo-Gaber ..... D24/186



(56)

**References Cited**

U.S. PATENT DOCUMENTS

D695,418 S \* 12/2013 Updyke ..... D24/233  
D702,852 S 4/2014 Podhasky et al.  
D705,437 S \* 5/2014 Chamberlin ..... D24/216  
D729,405 S 5/2015 Ramstad et al.  
D737,702 S \* 9/2015 Selberg ..... D24/232  
D742,767 S \* 11/2015 Saga ..... D24/216  
2005/0203353 A1 \* 9/2005 Ma ..... G01N 21/8483  
600/315  
2013/0034466 A1 2/2013 Wakamiya et al.

OTHER PUBLICATIONS

Machine Translation of Office Action in related Japanese Application No. 2016-13024 dated Oct. 31, 2016.

Office Action in related Israel Application No. 58754 dated Oct. 10, 2016.

Office Action in related Japanese Application No. 2016-13024 dated Oct. 31, 2016.

\* cited by examiner

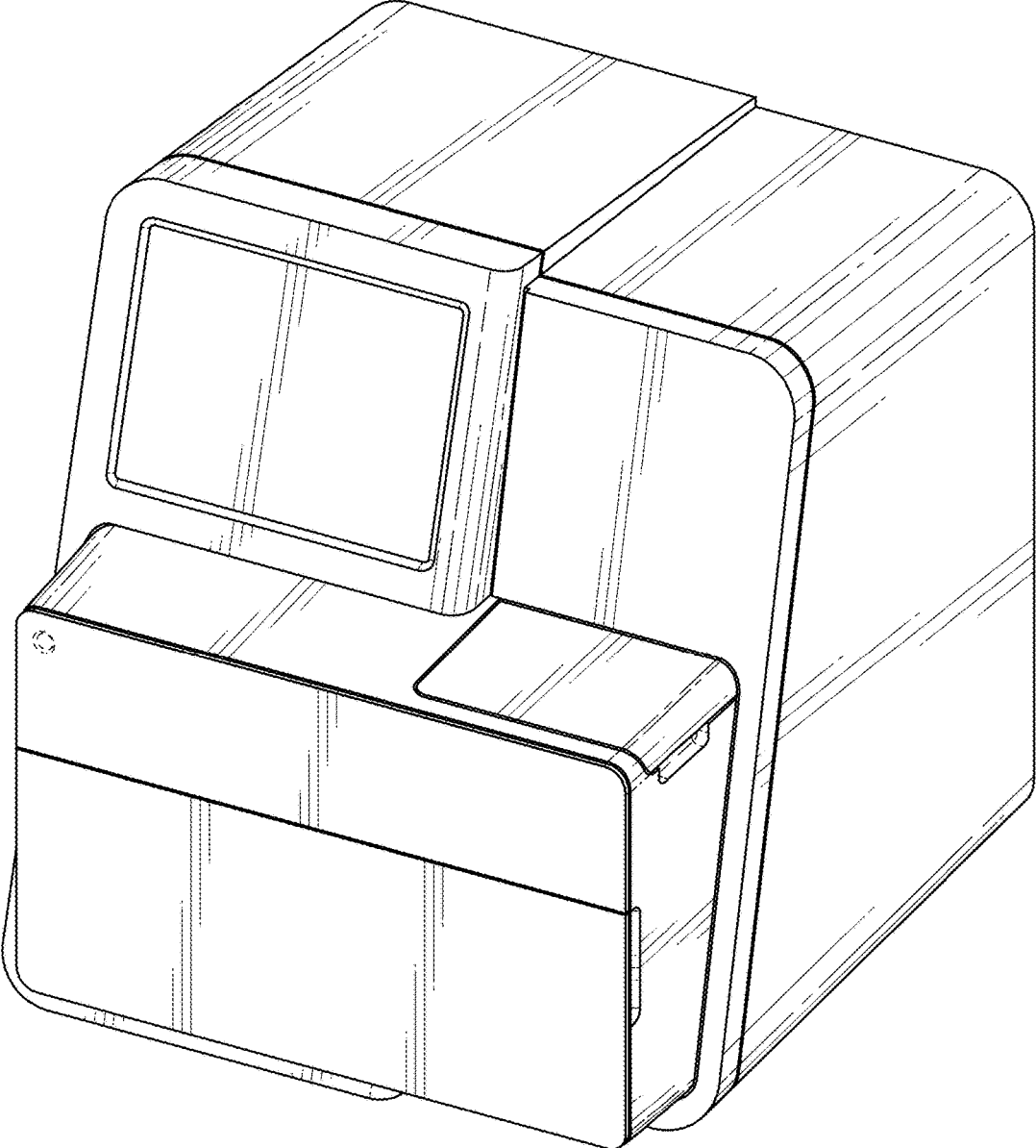


FIG. 1

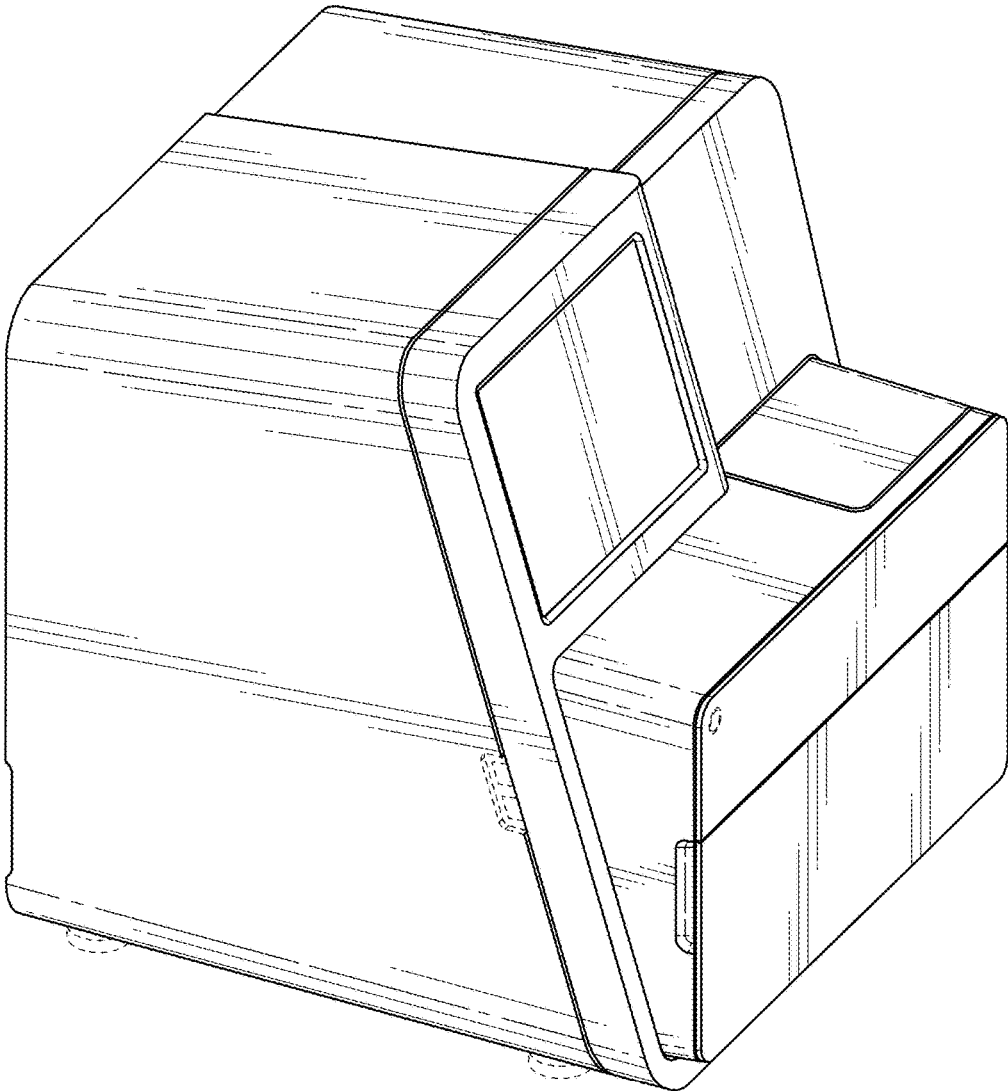


FIG. 2

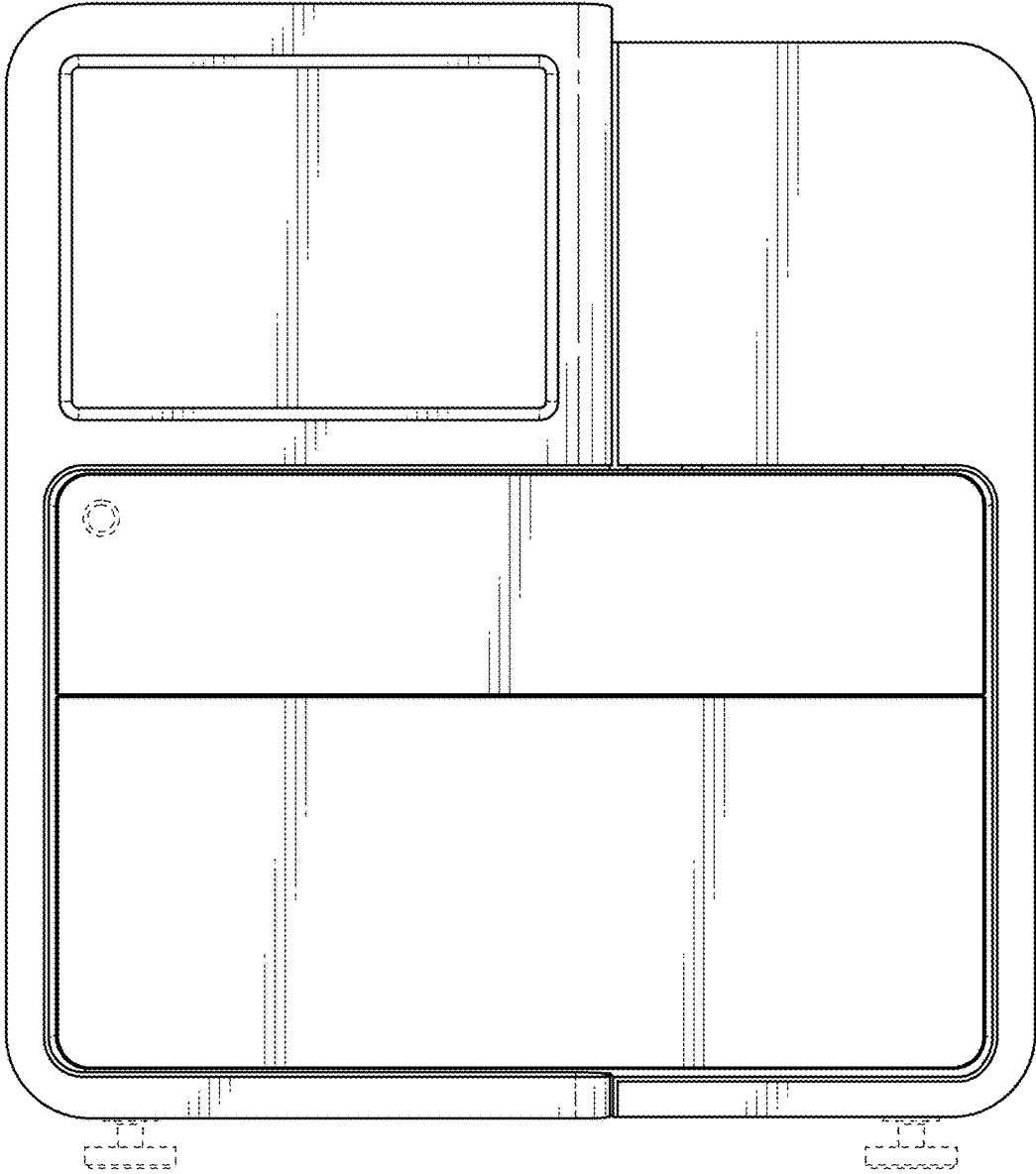


FIG. 3

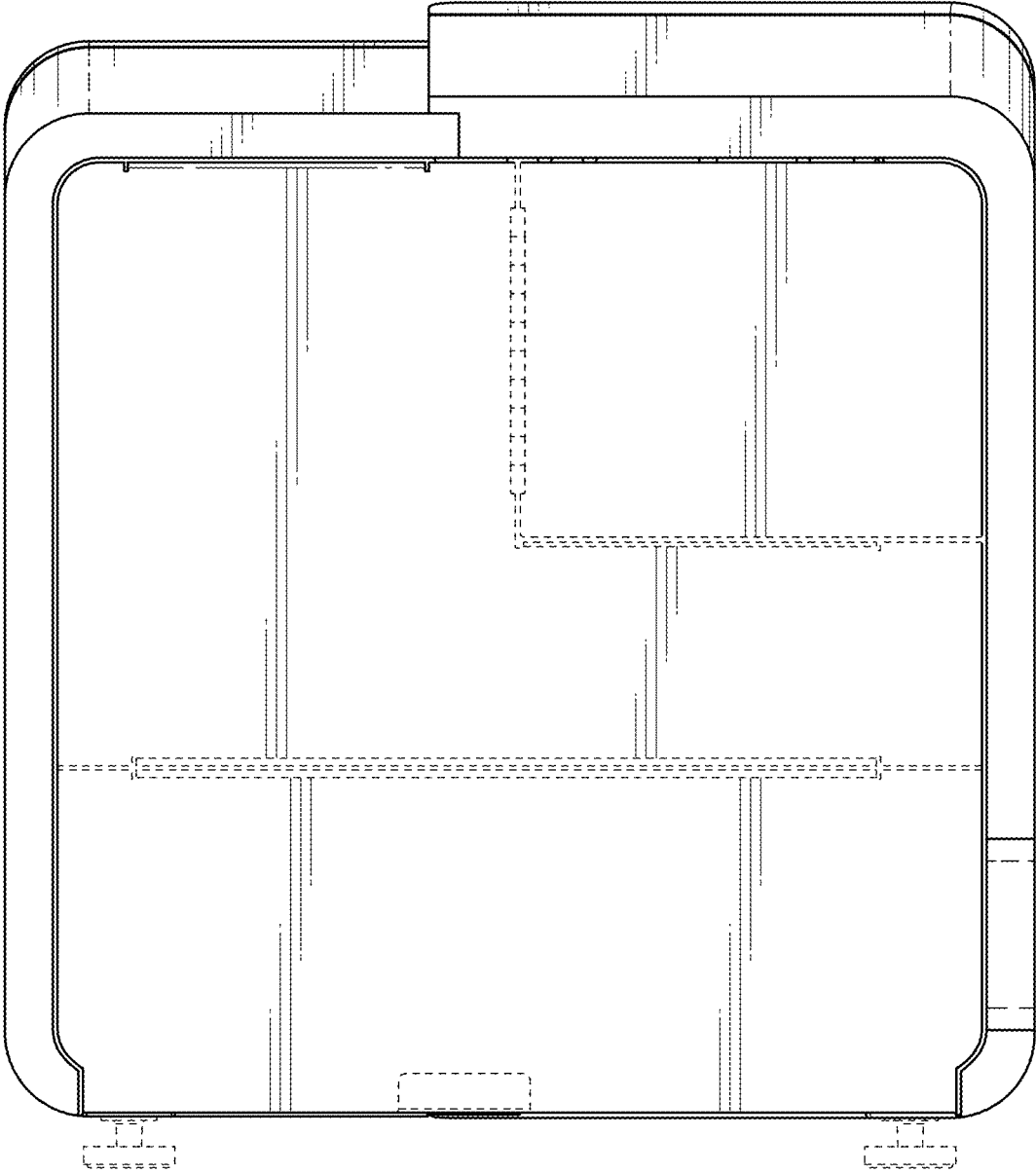


FIG. 4

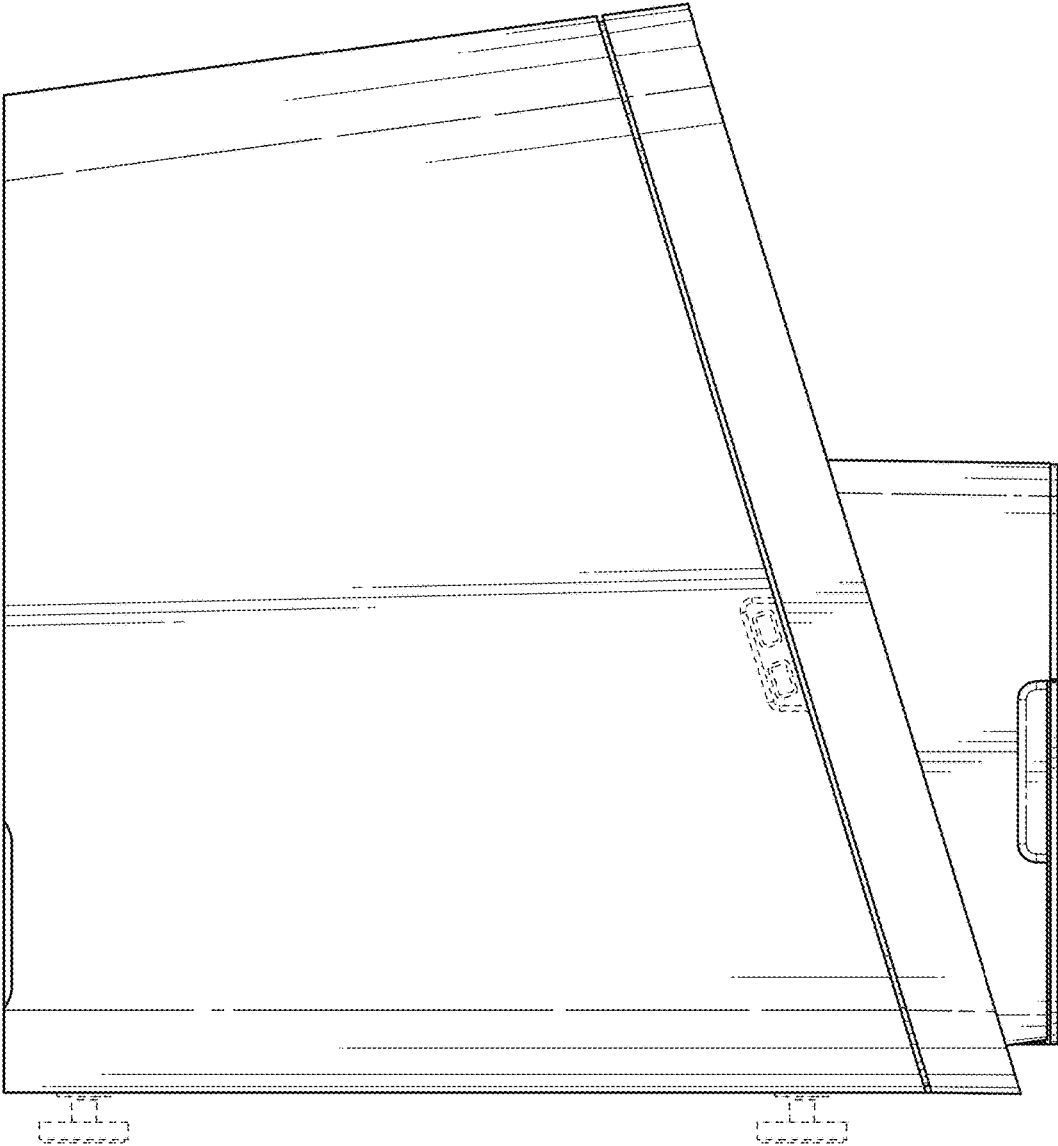


FIG. 5

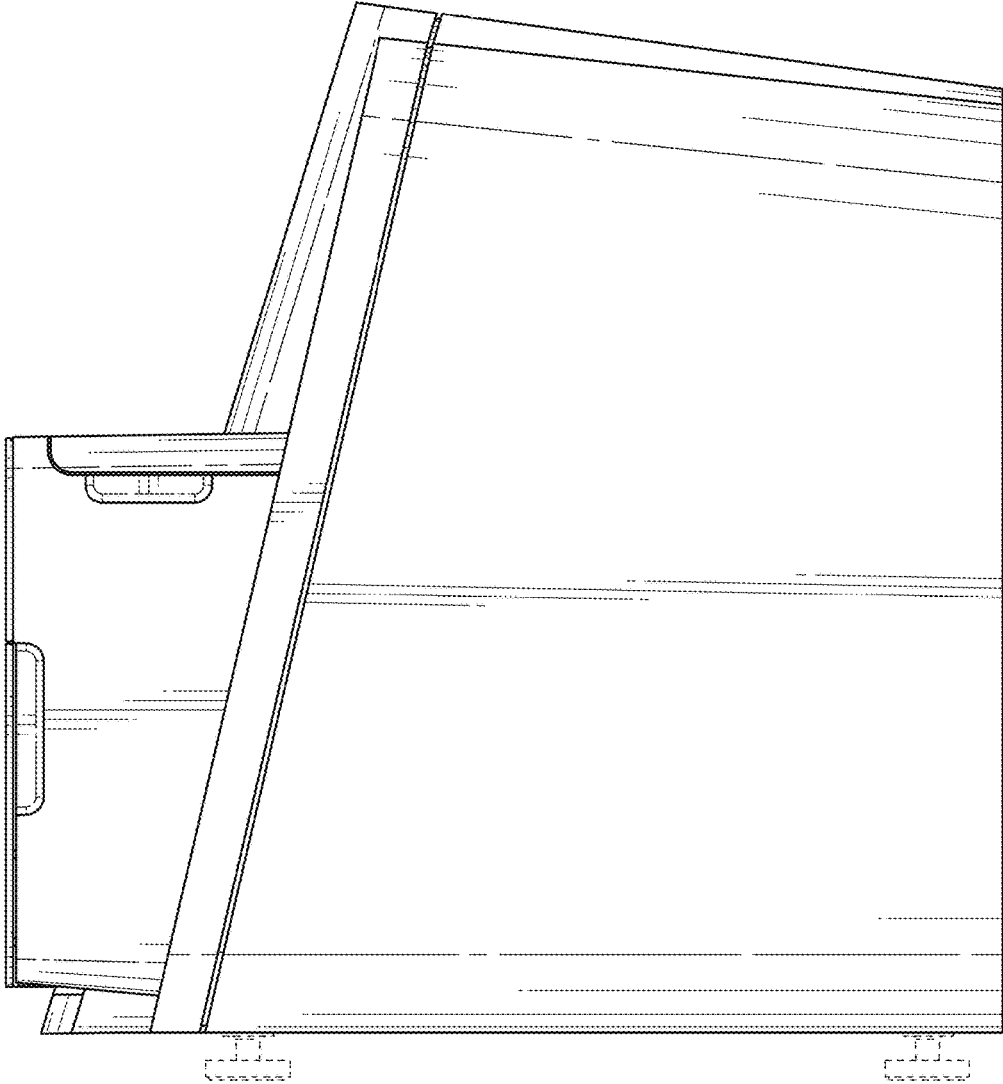


FIG. 6



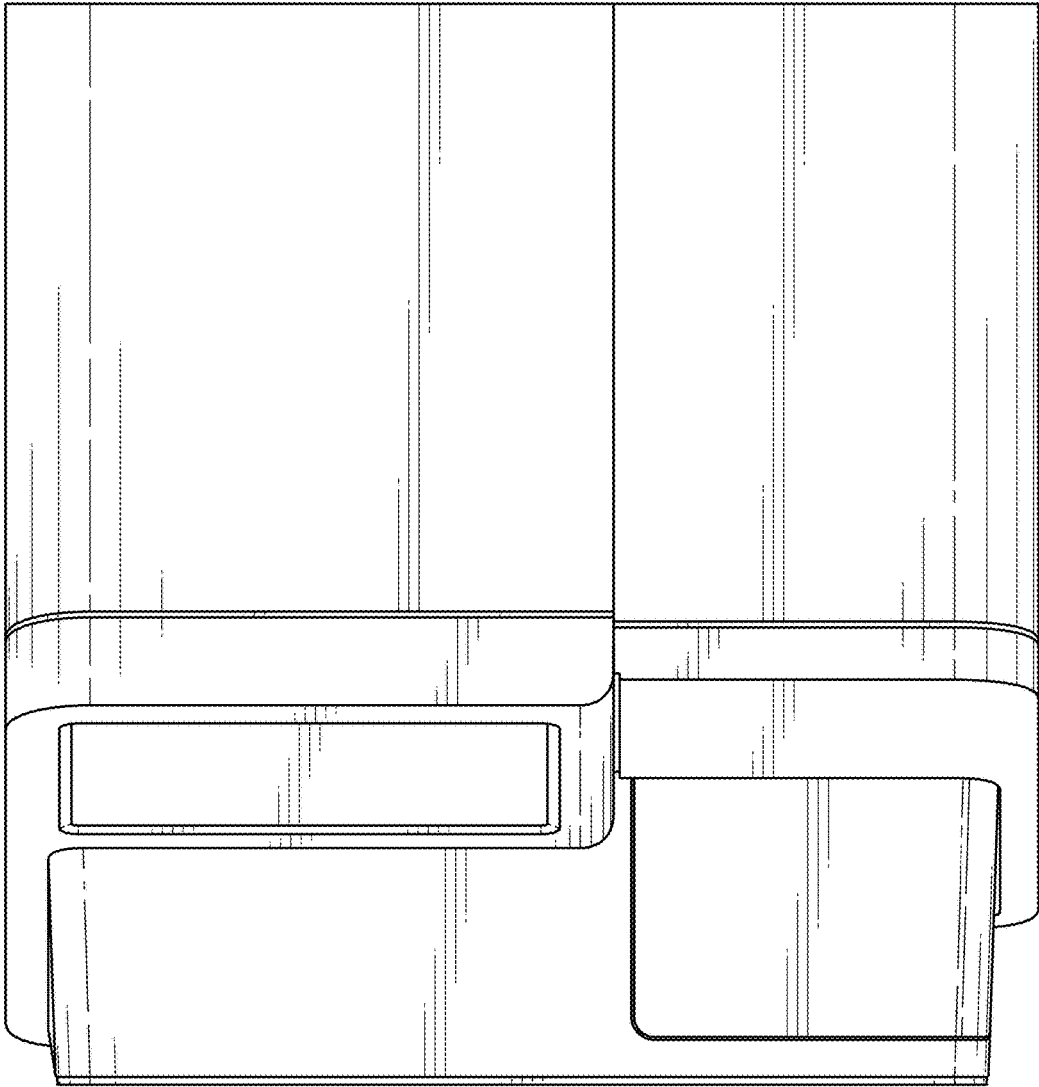


FIG. 7

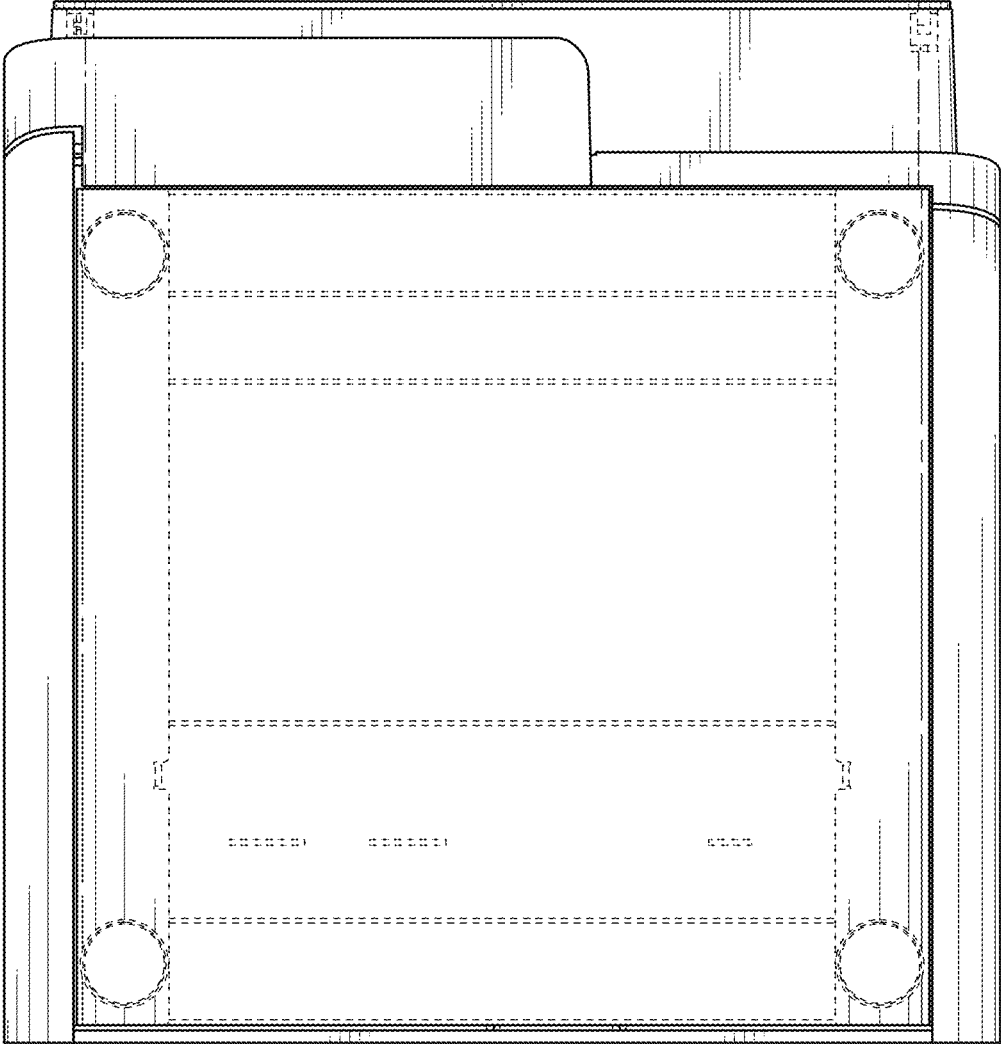


FIG. 8