



US00D340012S

United States Patent [19] Azzarelli

[11] Patent Number: **Des. 340,012**

[45] Date of Patent: **** Oct. 5, 1993**

[54] WALKER CADDY CONTAINER

[56]

References Cited

U.S. PATENT DOCUMENTS

[76] Inventor: **Paul T. Azzarelli**, 645 Magnus La.,
Coraopolis, Pa. 15108

D. 324,504	3/1992	Olsen	D12/130
4,184,618	1/1980	Jones	297/5
4,449,750	5/1984	Pultman	224/42.46 R
4,676,416	6/1987	Harmon	297/5

[**] Term: **14 Years**

Primary Examiner—Kay H. Chin
Attorney, Agent, or Firm—William J. Ruano

[21] Appl. No.: **897,553**

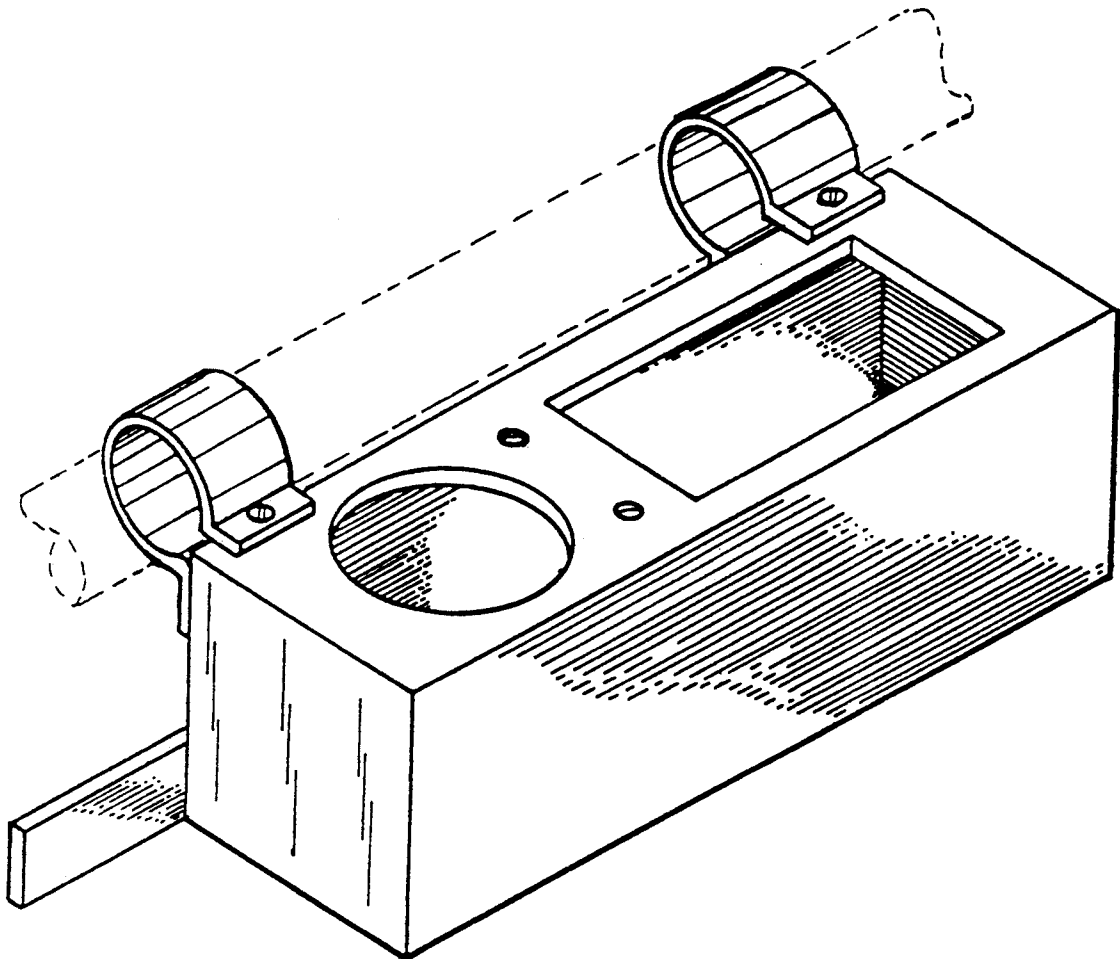
[57] CLAIM

The ornamental design for a walker caddy container, as shown and described.

[22] Filed: **Jun. 12, 1992**
[52] U.S. Cl. **D12/133; D12/130**
[58] Field of Search **D12/133, 130, 128;**
297/5, 188; 224/42.46; 220/23.83

DESCRIPTION

FIG. 1 is a top perspective view; and, FIG. 2 is a bottom perspective view of a container for mounting on a walker caddy, part of the top of which caddy is shown in dotted outline.



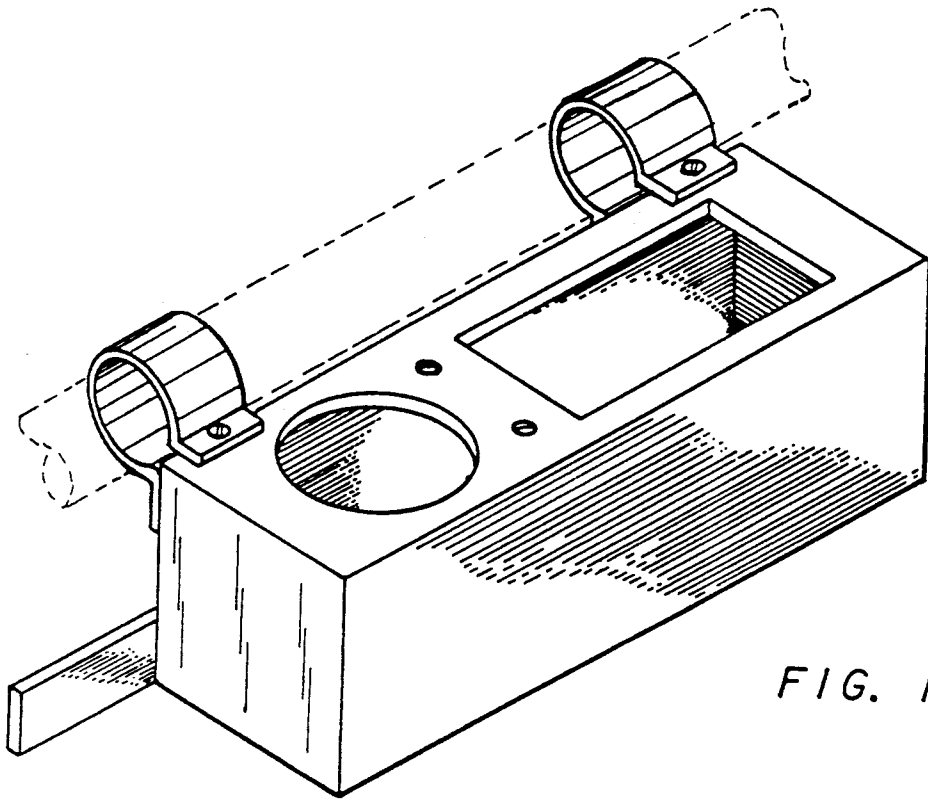


FIG. 1

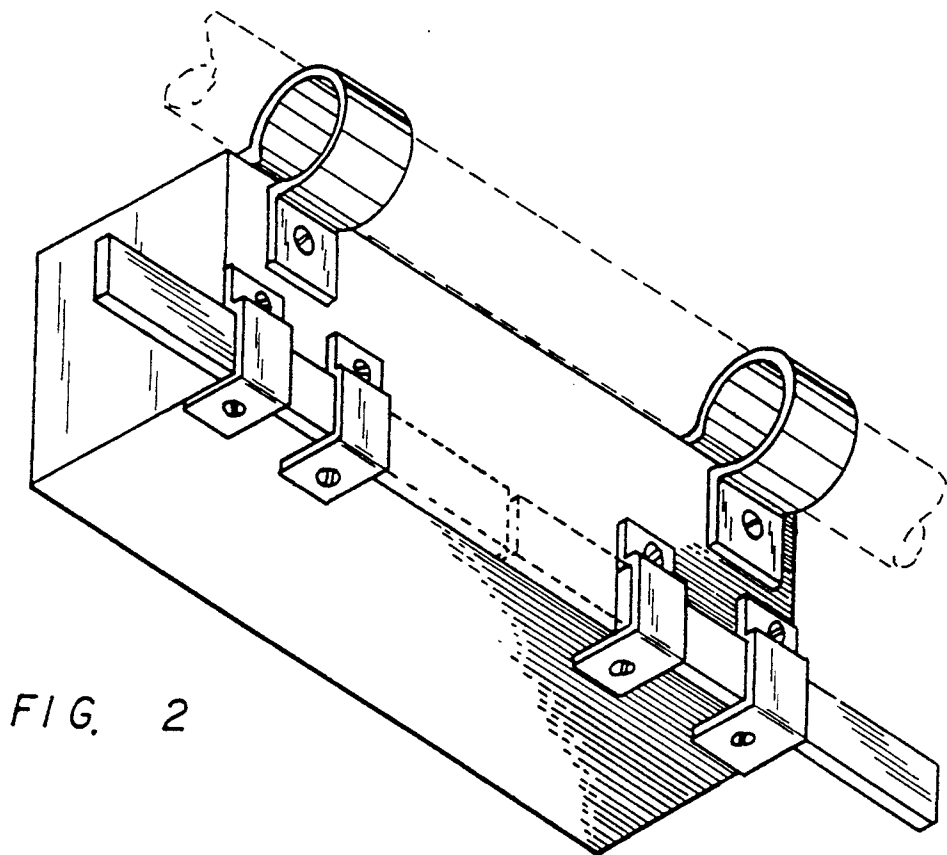


FIG. 2