



US00D679233S

(12) **United States Design Patent**  
**Balicki et al.**

(10) **Patent No.:** **US D679,233 S**

(45) **Date of Patent:** **\*\* Apr. 2, 2013**

(54) **SUN VISOR FOR A TRUCK CAB**  
  
(75) Inventors: **Brian D. Balicki**, Kernersville, NC  
(US); **Mandy L. Luthman**, Greensboro,  
NC (US); **David L. Parsons**,  
Greensboro, NC (US); **Ian Anderson**,  
Greensboro, NC (US)

D525,574 S \* 7/2006 Conway et al. .... D12/191  
D528,054 S \* 9/2006 Beigel et al. .... D12/191  
D544,821 S \* 6/2007 Elwell ..... D12/191  
D554,571 S \* 11/2007 Elwell et al. .... D12/191  
D556,657 S \* 12/2007 Elwell et al. .... D12/191  
D563,854 S \* 3/2008 Stuart ..... D12/191  
D638,337 S \* 5/2011 Francisco ..... D12/181

\* cited by examiner

(73) Assignee: **Volvo Group North America, LLC**,  
Greensboro, NC (US)

*Primary Examiner* — Katrina A Betton

(74) *Attorney, Agent, or Firm* — Martin Farrell; Michael Pruden

(\*\*) Term: **14 Years**

(57) **CLAIM**

(21) Appl. No.: **29/393,394**

The ornamental design of a sun visor for a truck cab, as shown and described herein.

(22) Filed: **Jun. 3, 2011**

**DESCRIPTION**

(51) **LOC (9) Cl.** ..... **12-16**  
(52) **U.S. Cl.** ..... **D12/191**  
(58) **Field of Classification Search** ..... D12/191,  
D12/181, 184–185, 106, 417, 311–312;  
296/97.1–97.8, 180.1; 160/370.21–370.23  
See application file for complete search history.

FIG. 1 is a perspective view of a sun visor for a truck cab showing our new design;  
FIG. 2 is a front view thereof;  
FIG. 3 is a rear view thereof;  
FIG. 4 is a top view thereof;  
FIG. 5 is a left side view thereof;  
FIG. 6 is a right side view thereof; and,  
FIG. 7 is a front view showing the sun visor of the invention in its environment attached to a truck cab.

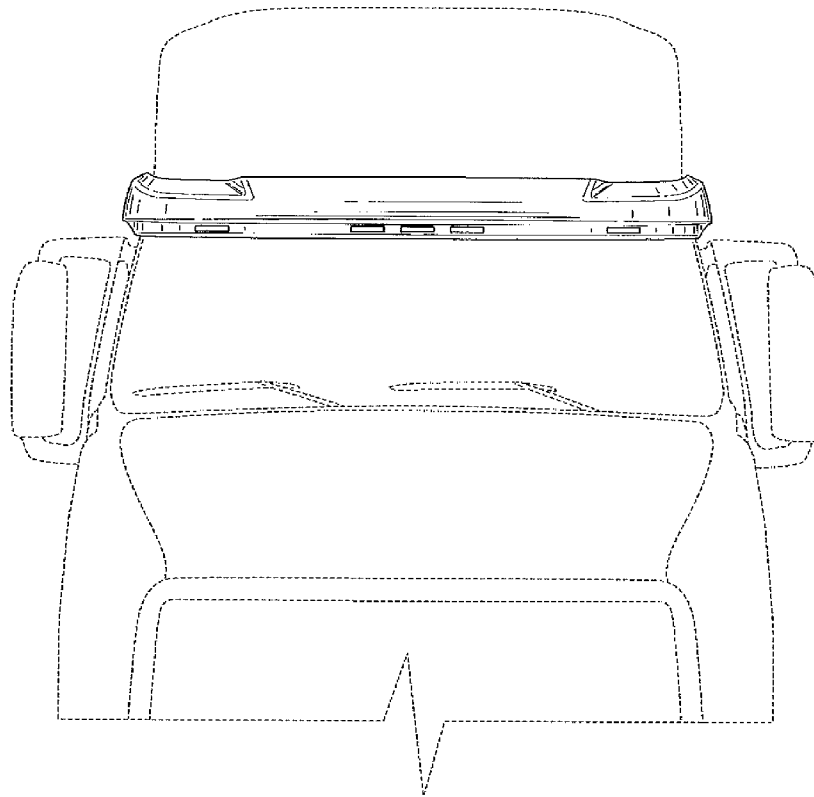
In drawing FIG. 3, the broken lines depict portions of the article that form no part of the claim. The broken lines in FIG. 7 show a truck and form no part of the claimed design.

(56) **References Cited**

U.S. PATENT DOCUMENTS

D403,999 S \* 1/1999 Lund ..... D12/191  
D404,698 S \* 1/1999 Schenk et al. .... D12/183  
D409,541 S \* 5/1999 Sproull et al. .... D12/191  
D413,846 S \* 9/1999 Lund ..... D12/191  
D478,303 S \* 8/2003 Iverson et al. .... D12/191

**1 Claim, 5 Drawing Sheets**



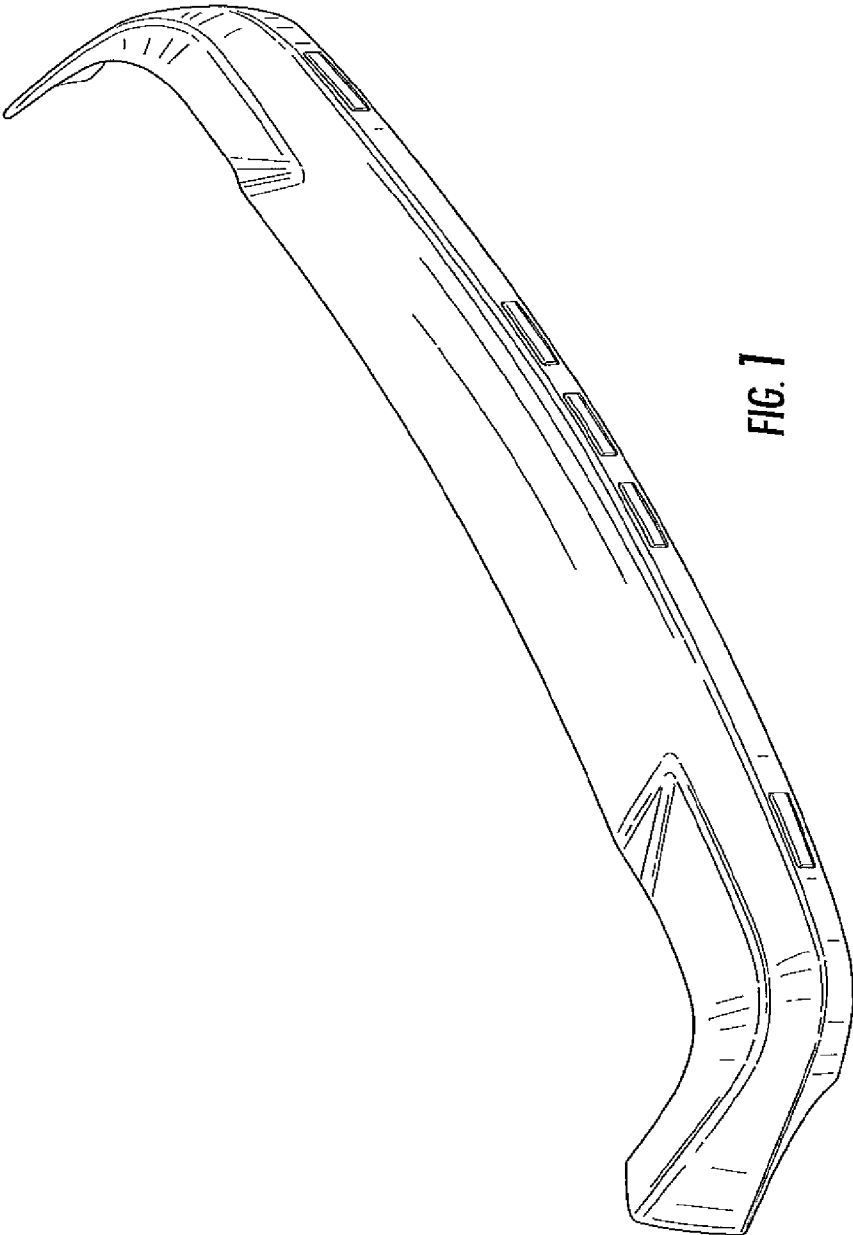


FIG. 1

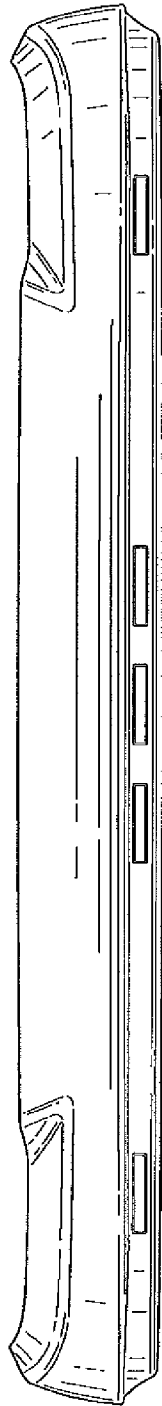


FIG. 2

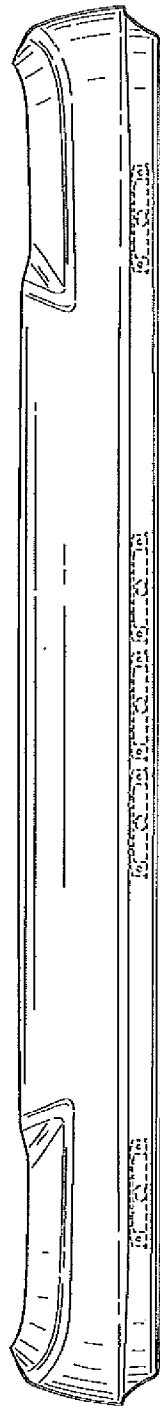


FIG. 3

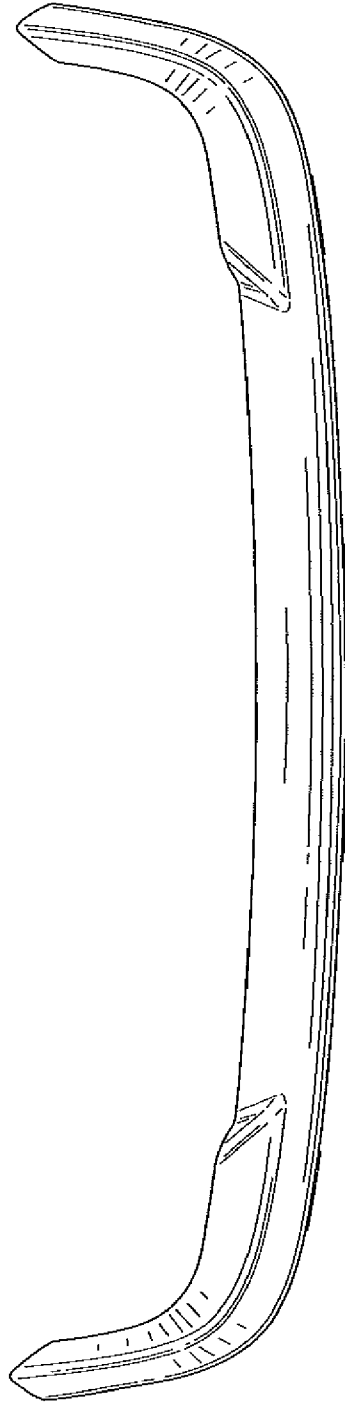
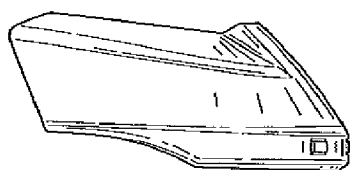
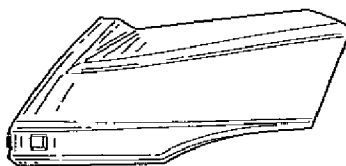


FIG. 4



**FIG. 5**



**FIG. 6**

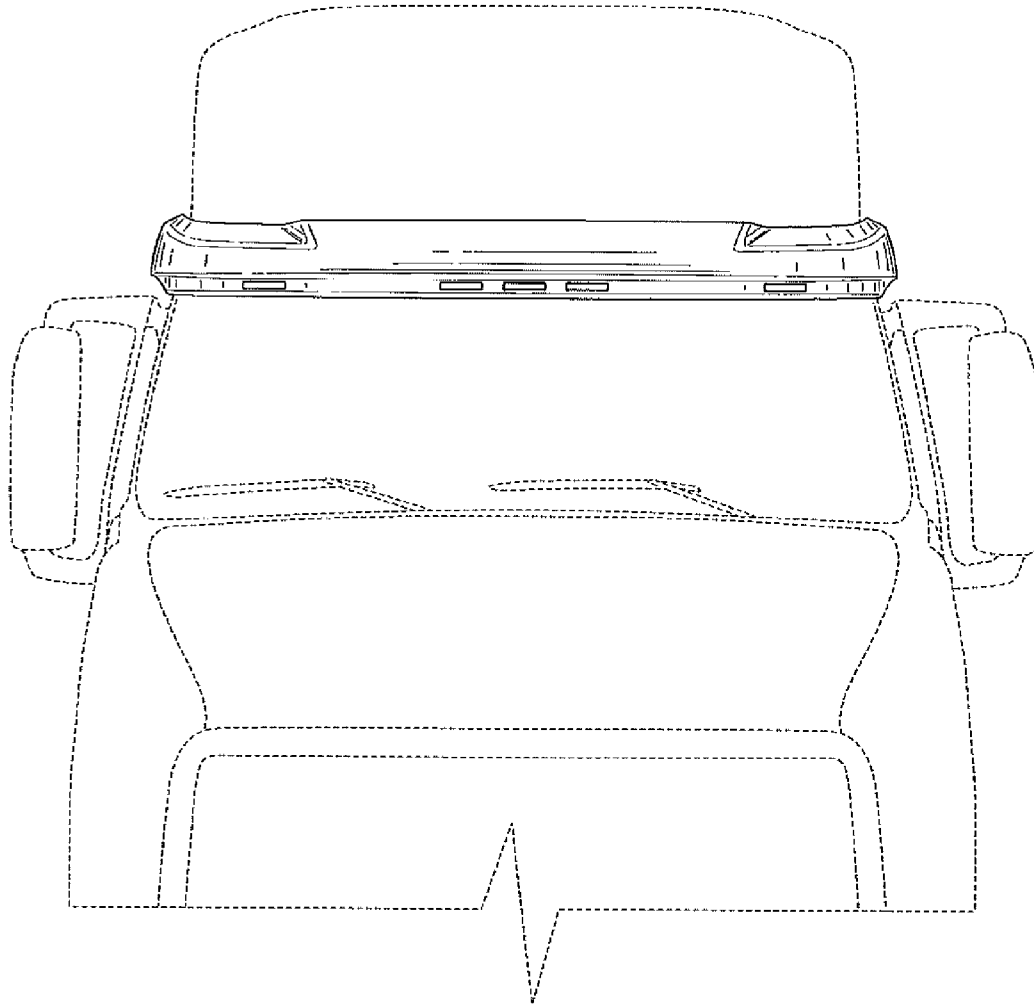


FIG. 7