



(51) International Patent Classification:

A61B 1/24 (2006.01) A61B 1/06 (2006.01)
A61B 5/00 (2006.01) A61B 1/04 (2006.01)

(21) International Application Number:

PCT/US2018/046144

(22) International Filing Date:

09 August 2018 (09.08.2018)

(25) Filing Language:

English

(26) Publication Language:

English

(30) Priority Data:

62/543,557 10 August 2017 (10.08.2017) US
16/059,915 09 August 2018 (09.08.2018) US

(71) Applicant: **D4D TECHNOLOGIES, LLC** [US/US]; 650 International Parkway, Richardson, TX 75081 (US).

(72) Inventors: **LI, Ye**; C/o D4d Technologies, Llc, 650 International Parkway, Richardson, TX 75081 (US). **QUADLING, Mark, S.**; C/o D4d Technologies, Llc, 650 International Parkway, Richardson, TX 75081 (US). **QUADLING, Henley, S.**; C/o D4d Technologies, Llc, 650 International Parkway, Richardson, TX 75081 (US). **DUNCAN, Rod, A.**; C/o D4d Technologies, Llc, 650 International Parkway, Richardson, TX 75081 (US). **BASILE, Gregory, R.**; C/o D4d Technologies, Llc, 650 International Parkway, Richardson, TX 75081 (US). **GRAHAM, Justin, G.**; C/o D4d Technologies, Llc, 650 International Parkway, Richardson, TX 75081 (US). **KENWORTHY, Grant, E.**; C/o D4d Technologies, Llc, 650 International Parkway, Richardson, TX 75081 (US). **TCHOUPRAKOV, Andrei**; C/o D4d Technologies, Llc, 650 International Parkway, Richardson, TX 75081 (US). **TOIMELA, Lasse, H.**;

C/o D4d Technologies, Llc, 650 International Parkway, Richardson, TX 75081 (US).

(74) Agent: **JUDSON, David, H.**; Law Office of David H. Judson, WeWork, 7700 Windrose Avenue, Suite 300G, Plano, TX 75024 (US).

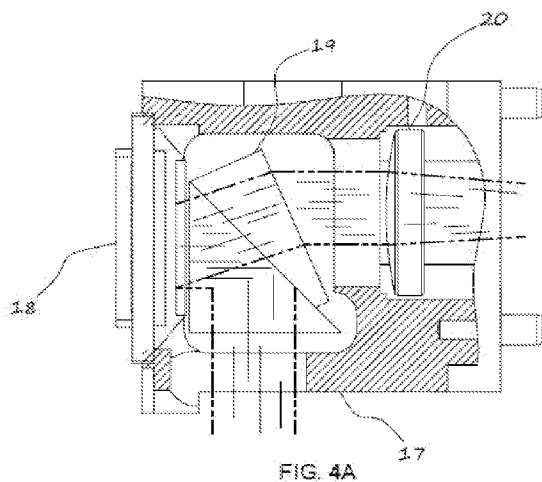
(81) Designated States (unless otherwise indicated, for every kind of national protection available): AE, AG, AL, AM, AO, AT, AU, AZ, BA, BB, BG, BH, BN, BR, BW, BY, BZ, CA, CH, CL, CN, CO, CR, CU, CZ, DE, DJ, DK, DM, DO, DZ, EC, EE, EG, ES, FI, GB, GD, GE, GH, GM, GT, HN, HR, HU, ID, IL, IN, IR, IS, JO, JP, KE, KG, KH, KN, KP, KR, KW, KZ, LA, LC, LK, LR, LS, LU, LY, MA, MD, ME, MG, MK, MN, MW, MX, MY, MZ, NA, NG, NI, NO, NZ, OM, PA, PE, PG, PH, PL, PT, QA, RO, RS, RU, RW, SA, SC, SD, SE, SG, SK, SL, SM, ST, SV, SY, TH, TJ, TM, TN, TR, TT, TZ, UA, UG, US, UZ, VC, VN, ZA, ZM, ZW.

(84) Designated States (unless otherwise indicated, for every kind of regional protection available): ARIPO (BW, GH, GM, KE, LR, LS, MW, MZ, NA, RW, SD, SL, ST, SZ, TZ, UG, ZM, ZW), Eurasian (AM, AZ, BY, KG, KZ, RU, TJ, TM), European (AL, AT, BE, BG, CH, CY, CZ, DE, DK, EE, ES, FI, FR, GB, GR, HR, HU, IE, IS, IT, LT, LU, LV, MC, MK, MT, NL, NO, PL, PT, RO, RS, SE, SI, SK, SM, TR), OAPI (BF, BJ, CF, CG, CI, CM, GA, GN, GQ, GW, KM, ML, MR, NE, SN, TD, TG).

Declarations under Rule 4.17:

- as to the identity of the inventor (Rule 4.17(i))
- as to applicant's entitlement to apply for and be granted a patent (Rule 4.17(ii))
- as to the applicant's entitlement to claim the priority of the earlier application (Rule 4.17(iii))

(54) Title: INTRA-ORAL SCANNING DEVICE



(57) Abstract: An intra-oral scanning device includes a light source and an optical system, and communicates with a display system. The device has a reduced form factor as compared to prior devices, and it provides for more efficient transmission and capture of images.



WO 2019/032923 A3

Published:

- *with international search report (Art. 21(3))*
- *before the expiration of the time limit for amending the claims and to be republished in the event of receipt of amendments (Rule 48.2(h))*

(88) Date of publication of the international search report:

21 March 2019 (21.03.2019)

A. CLASSIFICATION OF SUBJECT MATTER**A61B 1/24(2006.01)i, A61B 5/00(2006.01)i, A61B 1/06(2006.01)i, A61B 1/04(2006.01)i**

According to International Patent Classification (IPC) or to both national classification and IPC

B. FIELDS SEARCHED

Minimum documentation searched (classification system followed by classification symbols)

A61B 1/24; A61B 18/20; A61B 5/00; A61B 5/10; A61C 19/04; A61C 9/00; G01B 11/24; A61B 1/06; A61B 1/04

Documentation searched other than minimum documentation to the extent that such documents are included in the fields searched

Korean utility models and applications for utility models

Japanese utility models and applications for utility models

Electronic data base consulted during the international search (name of data base and, where practicable, search terms used)

eKOMPASS(KIPO internal) & Keywords: scanner, laser, light, optic, prism, TIR, size

C. DOCUMENTS CONSIDERED TO BE RELEVANT

| Category* | Citation of document, with indication, where appropriate, of the relevant passages | Relevant to claim No. |
|-----------|------------------------------------------------------------------------------------------------------|-----------------------|
| Y | US 9539070 B2 (ORAMETRIX, INC.) 10 January 2017 See paragraphs [4],[61], claims 1-9 and figure 1. | 20 |
| A | | 1-19 |
| Y | KR 10-2011-0127950 A (LIM, YONG GEUN) 28 November 2011 See claim 1 and figure 2. | 20 |
| A | US 2013-0130191 A1 (IIO et al.) 23 May 2013 See the whole document. | 1-20 |
| A | US 2002-0045811 A1 (KITRELL et al.) 18 April 2002 See the whole document. | 1-20 |
| A | EP 0345368 A1 (FINGERMATRIX INC.) 13 December 1989 See the whole document. | 1-20 |

 Further documents are listed in the continuation of Box C. See patent family annex.

* Special categories of cited documents:

"A" document defining the general state of the art which is not considered to be of particular relevance

"E" earlier application or patent but published on or after the international filing date

"L" document which may throw doubts on priority claim(s) or which is cited to establish the publication date of another citation or other special reason (as specified)

"O" document referring to an oral disclosure, use, exhibition or other means

"P" document published prior to the international filing date but later than the priority date claimed

"T" later document published after the international filing date or priority date and not in conflict with the application but cited to understand the principle or theory underlying the invention

"X" document of particular relevance; the claimed invention cannot be considered novel or cannot be considered to involve an inventive step when the document is taken alone

"Y" document of particular relevance; the claimed invention cannot be considered to involve an inventive step when the document is combined with one or more other such documents, such combination being obvious to a person skilled in the art

"&" document member of the same patent family

Date of the actual completion of the international search

29 January 2019 (29.01.2019)

Date of mailing of the international search report

01 February 2019 (01.02.2019)

Name and mailing address of the ISA/KR

International Application Division

Korean Intellectual Property Office

189 Cheongsa-ro, Seo-gu, Daejeon, 35208, Republic of Korea

Facsimile No. +82-42-481-8578

Authorized officer

Kim, Yeonkyung

Telephone No. +82-42-481-3325



INTERNATIONAL SEARCH REPORT

Information on patent family members

International application No.

PCT/US2018/046144

| Patent document cited in search report | Publication date | Patent family member(s) | Publication date | | |
|----------------------------------------|------------------|-------------------------|------------------|-------------------|------------|
| US 9539070 B2 | 10/01/2017 | AU 4111397 A | 26/03/1998 | | |
| | | CN 1236431 A | 24/11/1999 | | |
| | | DE 19636354 A1 | 05/03/1998 | | |
| | | EP 0923704 A1 | 04/09/2002 | | |
| | | EP 0923704 B1 | 23/10/2002 | | |
| | | JP 2001-501049 A | 23/01/2001 | | |
| | | US 2005-0090749 A1 | 28/04/2005 | | |
| | | US 2015-0164621 A1 | 18/06/2015 | | |
| | | US 7751871 B2 | 06/07/2010 | | |
| | | US 9039418 B1 | 26/05/2015 | | |
| | | WO 98-10243 A1 | 12/03/1998 | | |
| | | KR 10-2011-0127950 A | 28/11/2011 | KR 10-1162439 B1 | 04/07/2012 |
| | | | | WO 2011-145799 A1 | 24/11/2011 |
| US 2013-0130191 A1 | 23/05/2013 | EP 2657680 A1 | 30/10/2013 | | |
| | | EP 2657680 A4 | 01/01/2014 | | |
| | | JP 2012-130477 A | 12/07/2012 | | |
| | | JP 2012-145568 A | 02/08/2012 | | |
| | | JP 2012-161545 A | 30/08/2012 | | |
| | | WO 2012-086134 A1 | 28/06/2012 | | |
| US 2002-0045811 A1 | 18/04/2002 | AT 111711 T | 15/10/1994 | | |
| | | AT 167792 T | 15/07/1998 | | |
| | | CA 1279901 C | 05/02/1991 | | |
| | | CA 1317641 C | 11/05/1993 | | |
| | | CA 1329655 C | 17/05/1994 | | |
| | | CA 1339056 C | 29/07/1997 | | |
| | | DE 3650071 T2 | 01/06/1995 | | |
| | | DE 3650688 T2 | 25/03/1999 | | |
| | | DK 130586 A | 23/09/1986 | | |
| | | DK 130586 D0 | 21/03/1986 | | |
| | | EP 0195375 A2 | 24/09/1986 | | |
| | | EP 0195375 A3 | 08/06/1988 | | |
| | | EP 0195375 B1 | 21/09/1994 | | |
| | | EP 0590268 A1 | 06/04/1994 | | |
| | | EP 0590268 B1 | 01/07/1998 | | |
| | | FI 861209 A0 | 21/03/1986 | | |
| | | JP 2589674 B2 | 12/03/1997 | | |
| | | JP 2739933 B2 | 15/04/1998 | | |
| | | JP 61-257638 A | 15/11/1986 | | |
| | | JP 9117407 A | 06/05/1997 | | |
| | | NO 861136 A | 16/01/1987 | | |
| | | US 04648892 A | 10/03/1987 | | |
| | | US 04669467 A | 02/06/1987 | | |
| US 04718417 A | 12/01/1988 | | | | |
| US 04913142 A | 03/04/1990 | | | | |
| US 04967745 A | 06/11/1990 | | | | |
| US 05034010 A | 23/07/1991 | | | | |

INTERNATIONAL SEARCH REPORT

Information on patent family members

International application No.

PCT/US2018/046144

| Patent document cited in search report | Publication date | Patent family member(s) | Publication date |
|-------------------------------------------|---------------------|----------------------------|---------------------|
| | | US 05104392 A | 14/04/1992 |
| | | US 05106387 A | 21/04/1992 |
| | | US 05125404 A | 30/06/1992 |
| | | US 05192278 A | 09/03/1993 |
| | | US 05199431 A | 06/04/1993 |
| | | US 05290275 A | 01/03/1994 |
| | | US 05304173 A | 19/04/1994 |
| | | US 05318024 A | 07/06/1994 |
| | | US 05496305 A | 05/03/1996 |
| | | US 05693043 A | 02/12/1997 |
| EP 0345368 A1 | 13/12/1989 | US 04783167 A | 08/11/1988 |