



US0D1056972S

(12) **United States Design Patent**
Mei et al.

(10) **Patent No.:** **US D1,056,972 S**

(45) **Date of Patent:** **** Jan. 7, 2025**

(54) **3D PRINTER**

CN 307661617 * 11/2022
CN 308415095 * 1/2024
GB 6234041 * 10/2022

(71) Applicant: **Guihua He**, Shenzhen (CN)

(72) Inventors: **Yongliang Mei**, Shenzhen (CN);
Guihua He, Shenzhen (CN)

(**) Term: **15 Years**

(21) Appl. No.: **29/866,786**

(22) Filed: **Sep. 27, 2022**

(51) **LOC (15) Cl.** **15-09**

(52) **U.S. Cl.**
USPC **D15/122**

(58) **Field of Classification Search**

USPC D15/122, 138, 141, 199; D18/50, 53, 56
CPC B29C 64/118; B29C 64/20; B33Y 70/00;
B33Y 70/10; B33Y 10/00; B33Y 30/00
See application file for complete search history.

(56) **References Cited**

U.S. PATENT DOCUMENTS

D899,471 S * 10/2020 Liu D15/122
D933,723 S * 10/2021 Chen D15/122
D958,236 S * 7/2022 Wu D18/50
11,559,943 B1 * 1/2023 Nagar B33Y 99/00
D978,930 S * 2/2023 Liu D15/122
D980,295 S * 3/2023 He D15/122
D988,376 S * 6/2023 Hong D15/122
D1,020,817 S * 4/2024 Zhang D15/122
D1,021,983 S * 4/2024 Xue D15/122
D1,021,984 S * 4/2024 Shen D15/122
D1,026,051 S * 5/2024 Wu D15/122
D1,028,037 S * 5/2024 Hong D15/122

FOREIGN PATENT DOCUMENTS

CN 306580235 * 6/2021
CN 307361553 * 5/2022

OTHER PUBLICATIONS

Anycubic Kobra Go_Facebook, posted Aug. 25, 2022, [retrieved Jul. 5, 2024]. Retrieved from internet: <https://www.facebook.com/ANYCUBIC3dprinter/photos/pb.100066529730341.-2207520000/1332978533774932/?type=3> (Year: 2022).
Elegoo Neptune 3 Pro FDM 3D Printer—Amazon, posted Oct. 17, 2022, [retrieved Jul. 25, 2024]. Retrieved from internet: <https://www.amazon.com/ELEGOO-Leveling-Dual-Gear-Removable-Capacitive/dp/B0BJCQ59JS/?th=1> (Year: 2022).*

(Continued)

Primary Examiner — Nicole C Shiflet

Assistant Examiner — Karen M. Jones

(74) *Attorney, Agent, or Firm* — Vladimir Postnikov

(57) **CLAIM**

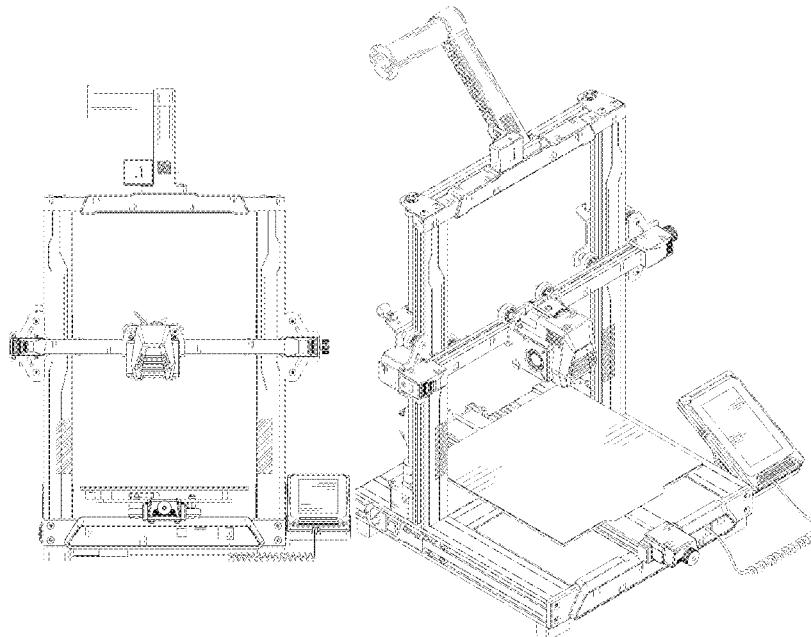
The ornamental design for a 3D printer, as shown and described.

DESCRIPTION

FIG. 1 is a front elevation view of a 3D printer showing our new design;
FIG. 2 is a back elevation view thereof;
FIG. 3 is a left-side view thereof;
FIG. 4 is a right-side view thereof;
FIG. 5 is a top plan view thereof;
FIG. 6 is a bottom plan view thereof.
FIG. 7 is a perspective view thereof; and,
FIG. 8 is a perspective view thereof.

The broken lines in the drawings depict portions of the 3D printer that form no part of the claimed design.

1 Claim, 8 Drawing Sheets



(56)

References Cited

OTHER PUBLICATIONS

Creality Ender 3 S1 Plus—Amazon, posted Oct. 22, 2022, [retrieved Jul. 25, 2024]. Retrieved from internet: <https://www.amazon.com/Creality-Ender-Plus-High-Precision-11-81x11-81x11-81inch/dp/B0CTQJKSB6/?th=1> (Year: 2022).*

Elegoo Neptune 3 FDM 3D Printer—Elegoo Official, posted Nov. 12, 2022, [retrieved via Wayback Machine Jul. 25, 2024]. Retrieved from internet: <https://web.archive.org/web/20221112161142/https://www.elegoo.com/products/elegoo-neptune-3-pro-fdm-3d-printer-225x225x280mm> (Year: 2022).*

* cited by examiner

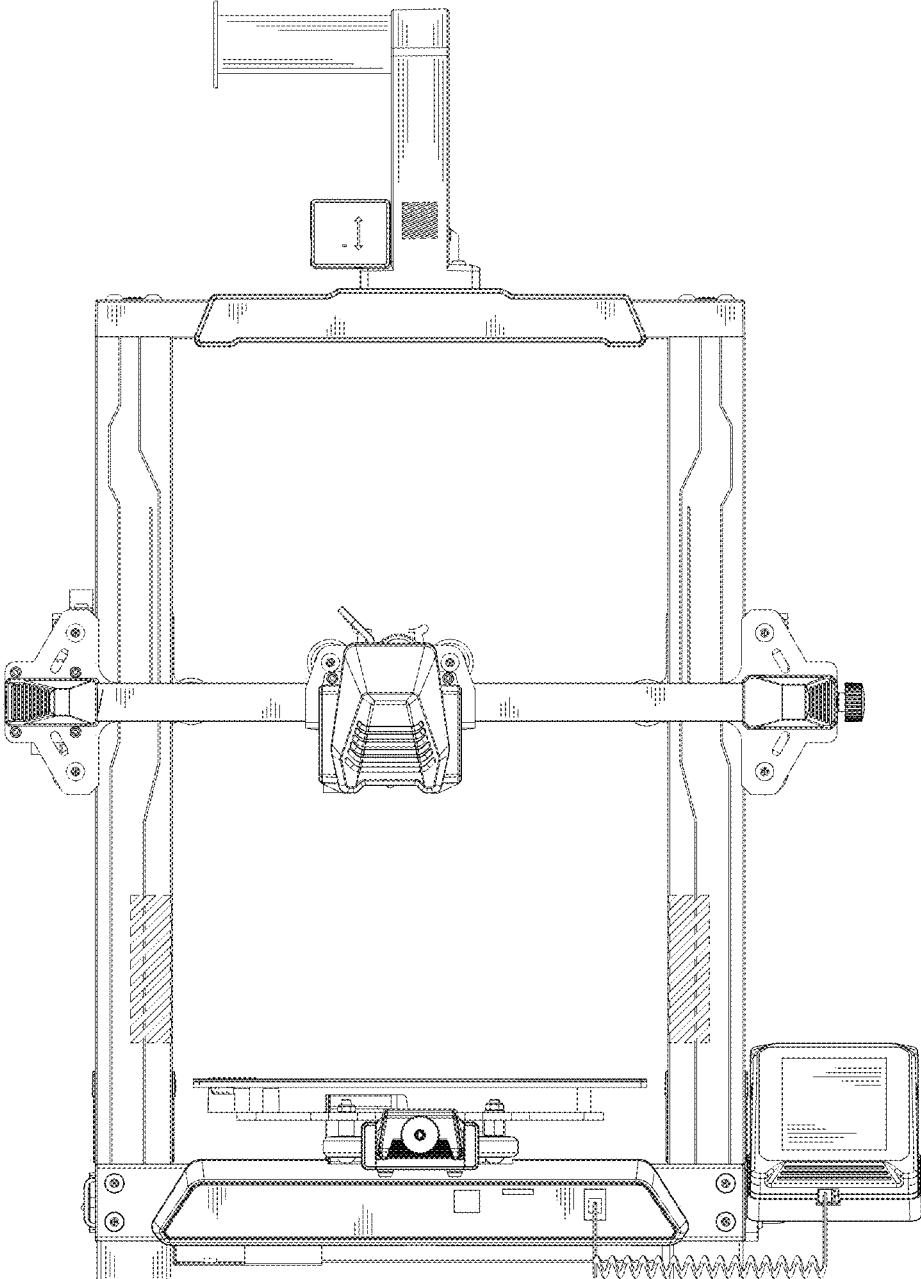


FIG. 1

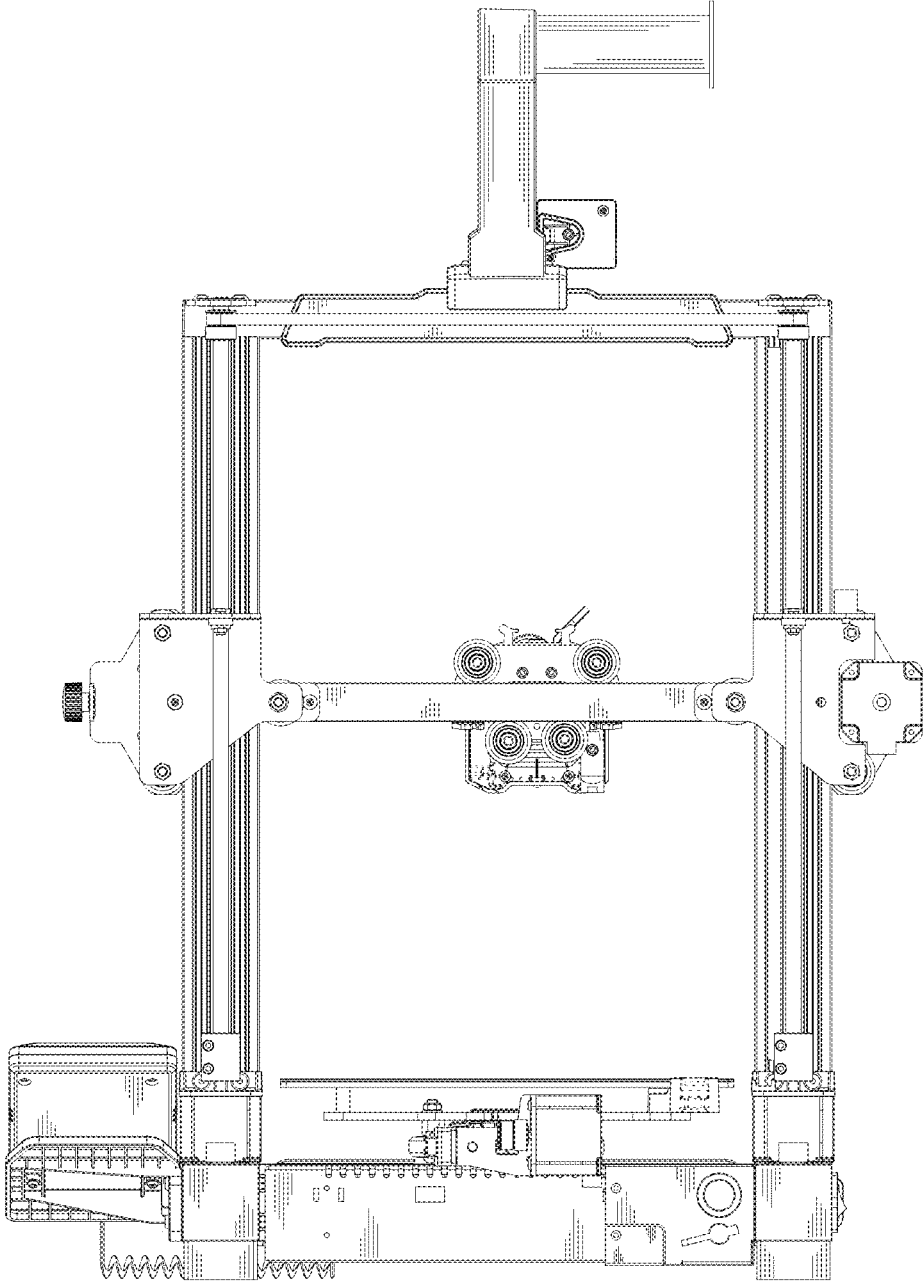


FIG. 2

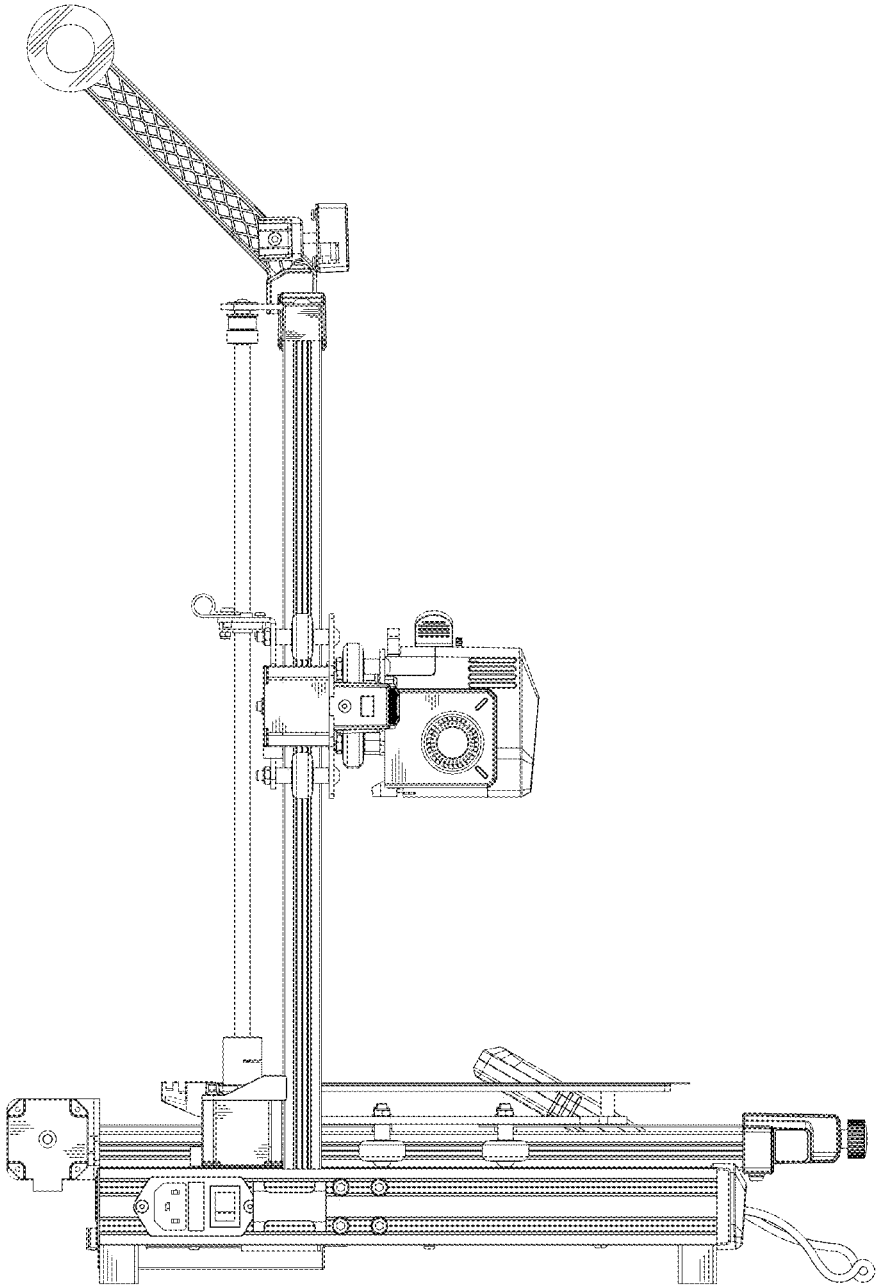


FIG. 3

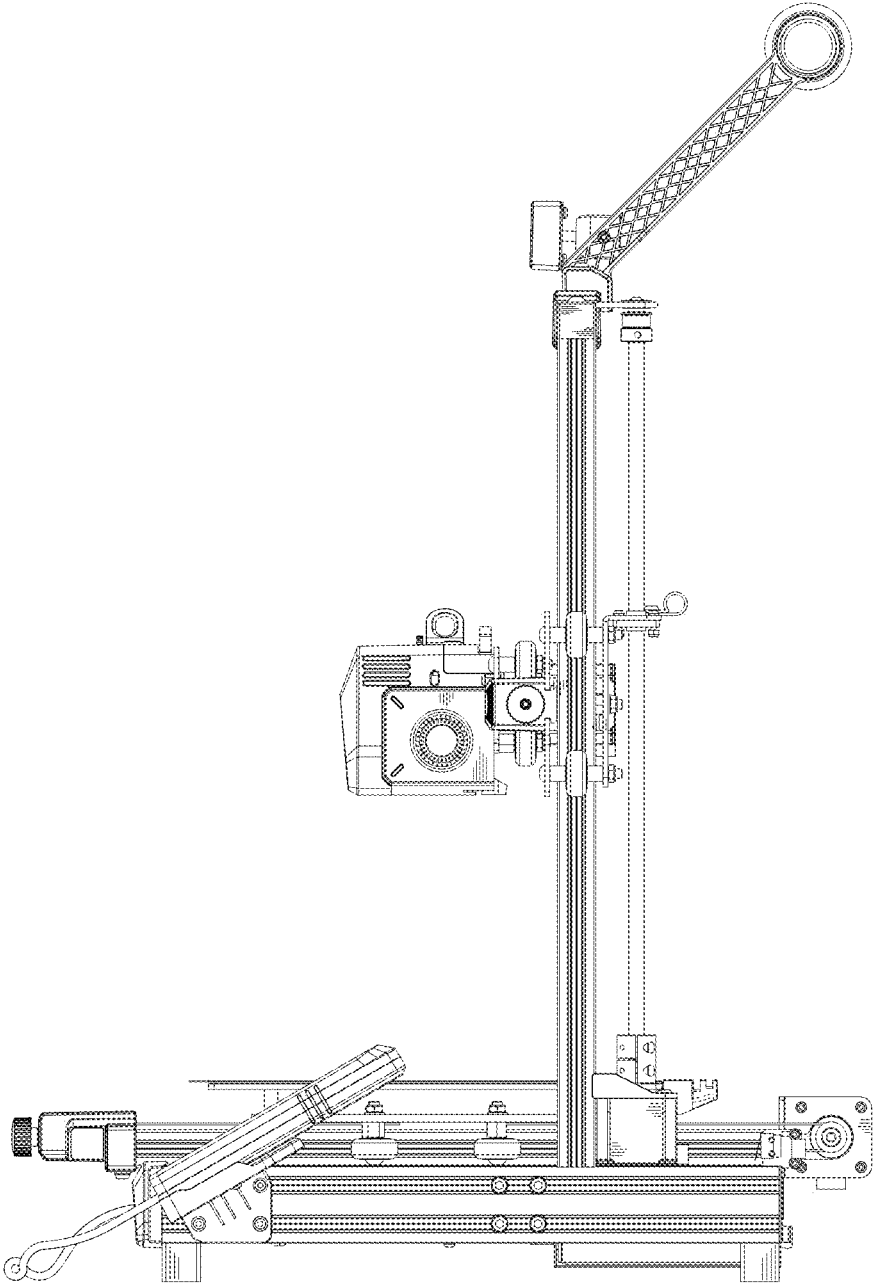


FIG. 4

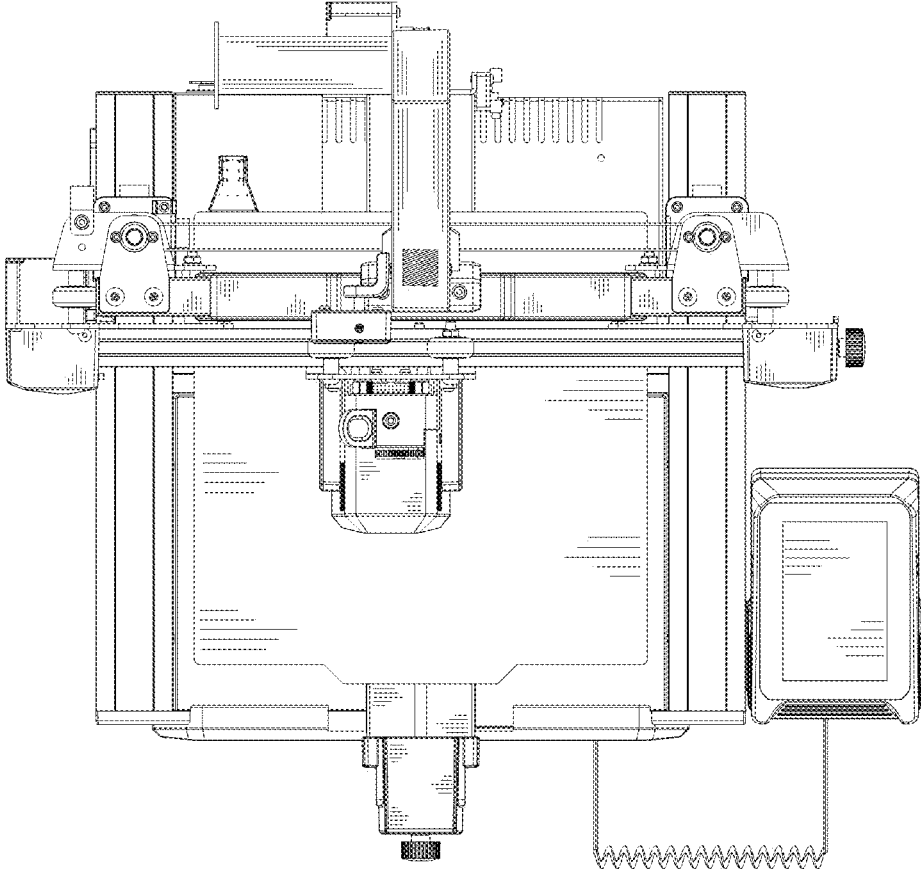


FIG. 5

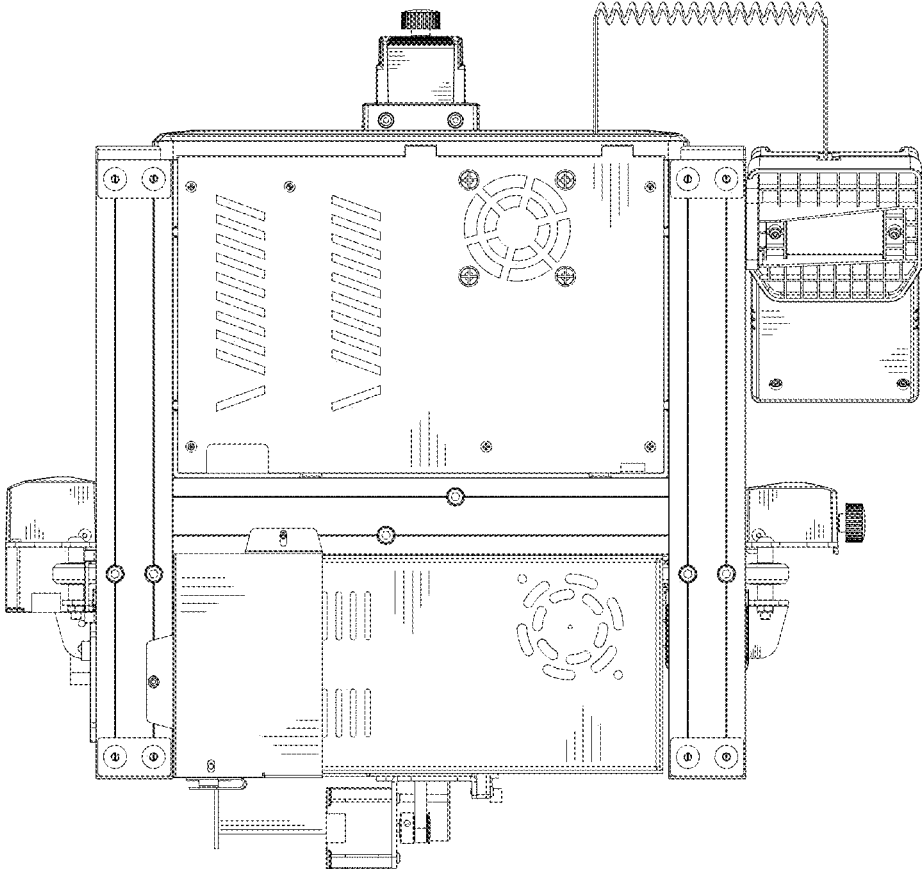


FIG. 6

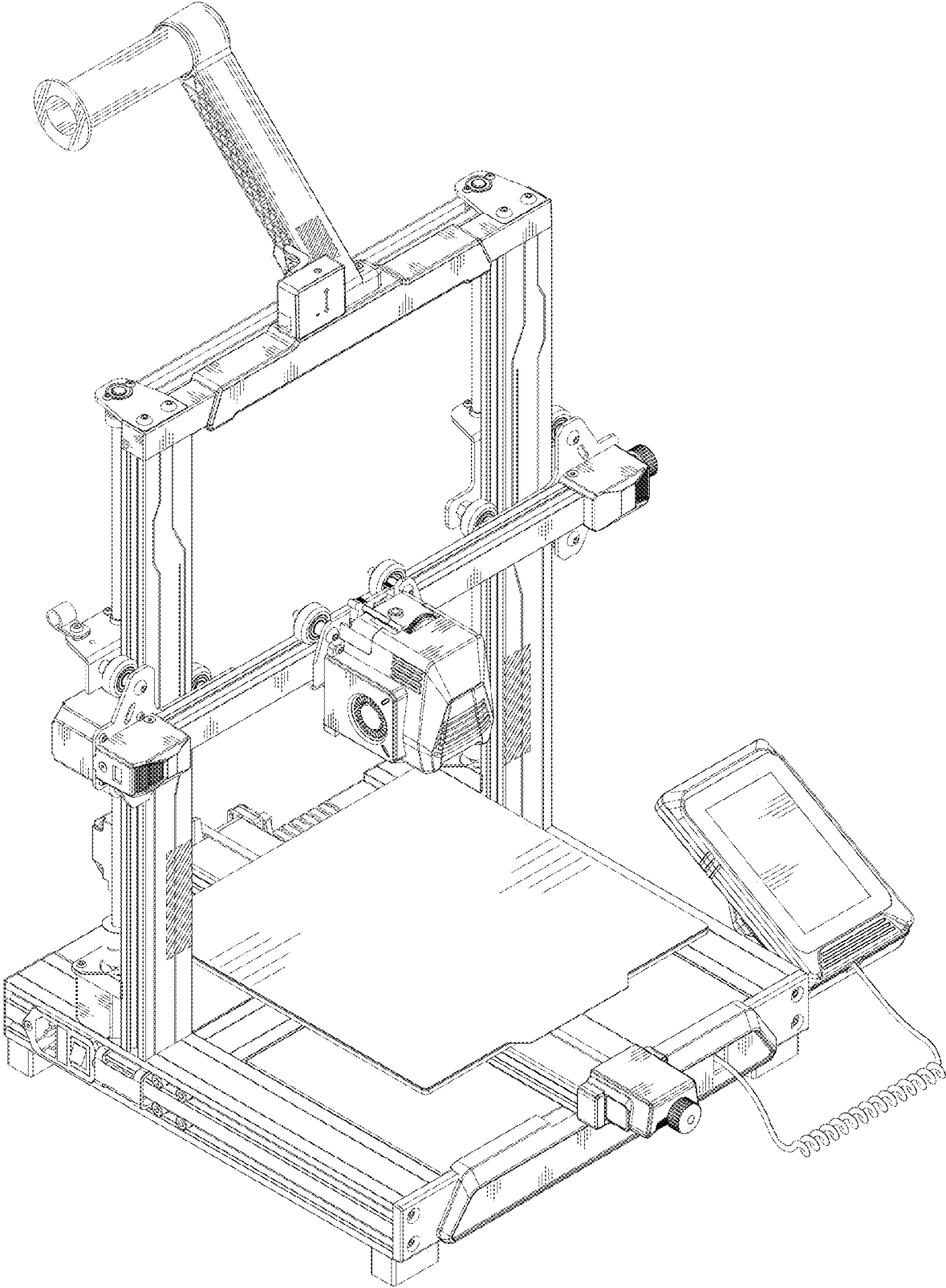


FIG. 7

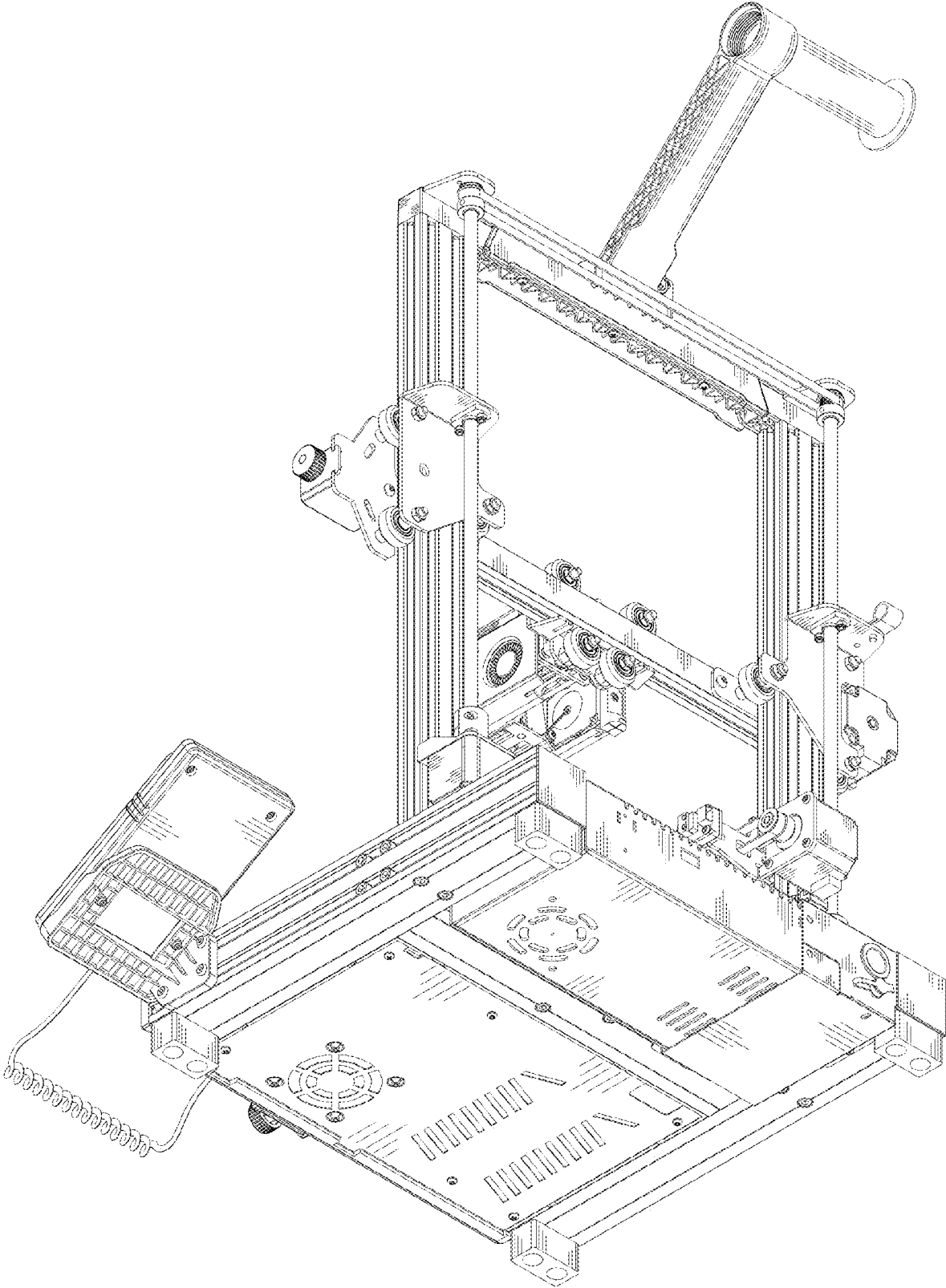


FIG. 8