



US00D479490S

(12) **United States Design Patent** (10) **Patent No.:** **US D479,490 S**  
**Cadotte et al.** (45) **Date of Patent:** **\*\* Sep. 9, 2003**

(54) **SNOW FLAP FOR A SNOWMOBILE**

(75) Inventors: **Germain Cadotte**, St-Elie d'Orford (CA); **Bruno Girouard**, Montreal (CA); **Emmanuel Rius**, Maison Laffitte (FR)

(73) Assignee: **Bombardier Inc.**, Valcourt (CA)

(\*\*) Term: **14 Years**

(21) Appl. No.: **29/160,998**

(22) Filed: **May 20, 2002**

**Related U.S. Application Data**

(63) Continuation-in-part of application No. 29/139,885, filed on Apr. 9, 2001.

(51) **LOC (7) Cl.** ..... **12-13**

(52) **U.S. Cl.** ..... **D12/7; D12/184; D12/185**

(58) **Field of Search** ..... **D12/7, 184-5; 180/182, 186, 190, 193-194; 280/845; D21/533**

(56) **References Cited**

**U.S. PATENT DOCUMENTS**

|             |           |              |       |         |
|-------------|-----------|--------------|-------|---------|
| D228,754 S  | 10/1973   | Mango        | ..... | D12/7   |
| D229,302 S  | * 11/1973 | Scott        | ..... | D12/173 |
| D229,490 S  | * 12/1973 | Scott        | ..... | D12/173 |
| D239,164 S  | 3/1976    | Smith et al. | ..... | D12/7   |
| D264,830 S  | 6/1982    | Ishiyama     | ..... | D12/7   |
| 4,418,782 A | * 12/1983 | Nakazima     | ..... | 180/190 |
| D273,185 S  | 3/1984    | Ishiyama     | ..... | D12/7   |
| D278,892 S  | 5/1985    | Kobayashi    | ..... | D12/7   |
| 4,779,695 A | * 10/1988 | Yasui        | ..... | 180/190 |

|                |         |                 |       |         |
|----------------|---------|-----------------|-------|---------|
| D314,535 S     | 2/1991  | Matsue          | ..... | D12/7   |
| D342,044 S     | 12/1993 | Hornai          | ..... | D12/7   |
| D438,821 S     | 3/2001  | Cadotte et al.  | ..... | D12/7   |
| 6,234,263 B1   | 5/2001  | Boivin et al.   | ..... | 180/184 |
| 6,234,286 B1   | 5/2001  | Feldberg        | ..... | 188/379 |
| 6,491,125 B2 * | 12/2002 | Girouard et al. | ..... | 180/190 |

**OTHER PUBLICATIONS**

www.yamaha-motor.com 2003 RX-1 Photo gallery-rear perspective view. On the Web.\*

www.ski-doo.com . Parts-seat cover/ski flap. Xteam XDT. On the Web.\*

\* cited by examiner

*Primary Examiner*—Nelson C. Holtje

(74) *Attorney, Agent, or Firm*—Pillsbury Winthrop LLP

(57) **CLAIM**

The ornamental design for a snow flap for a snowmobile, as shown and described.

**DESCRIPTION**

FIG. 1 is a left-rear perspective view of a snow flap for a snowmobile showing our new design;

FIG. 2 is a rear elevational view thereof;

FIG. 3 is a front elevational view thereof;

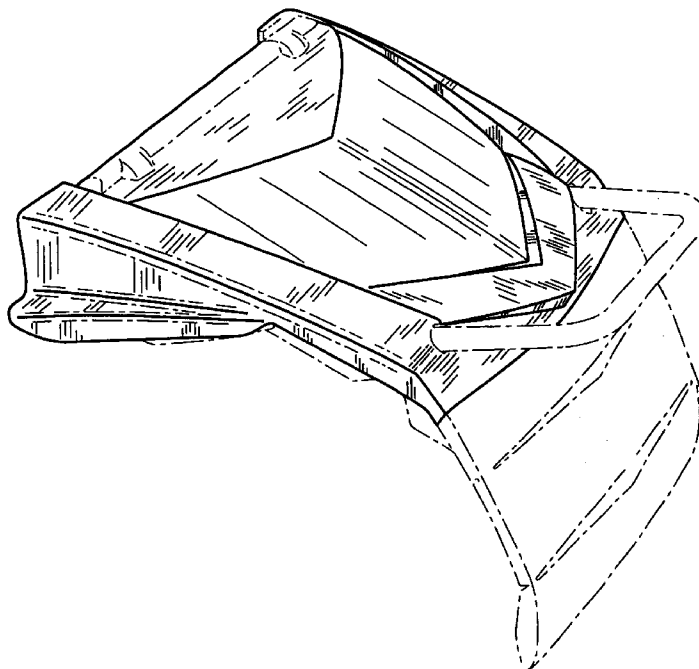
FIG. 4 is a right side elevational view thereof, the left side being a mirror image;

FIG. 5 is a top plan view thereof; and,

FIG. 6 is a bottom plan view thereof.

The broken line showing of portions of the snow flap is for illustrative purposes only and forms no part of the claimed design.

**1 Claim, 6 Drawing Sheets**



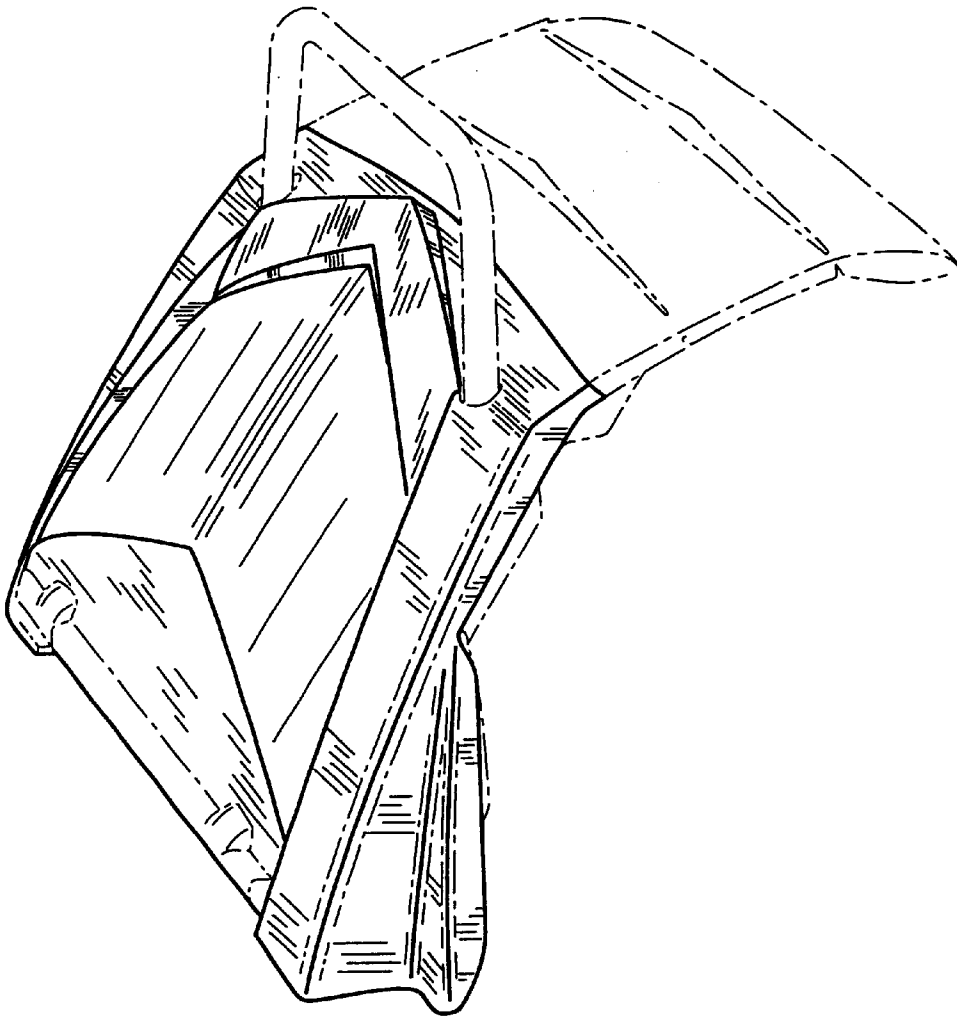


FIG. 1

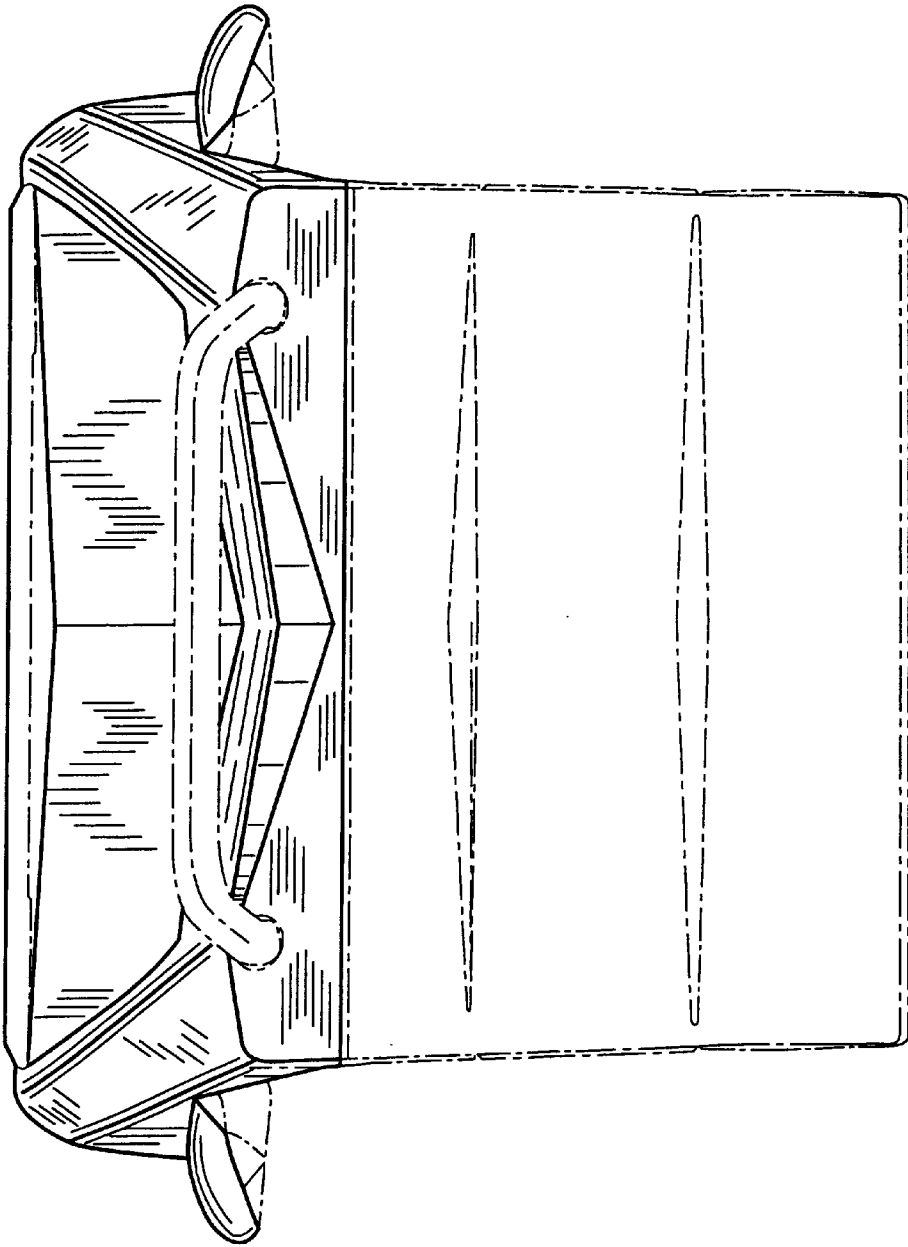


FIG. 2

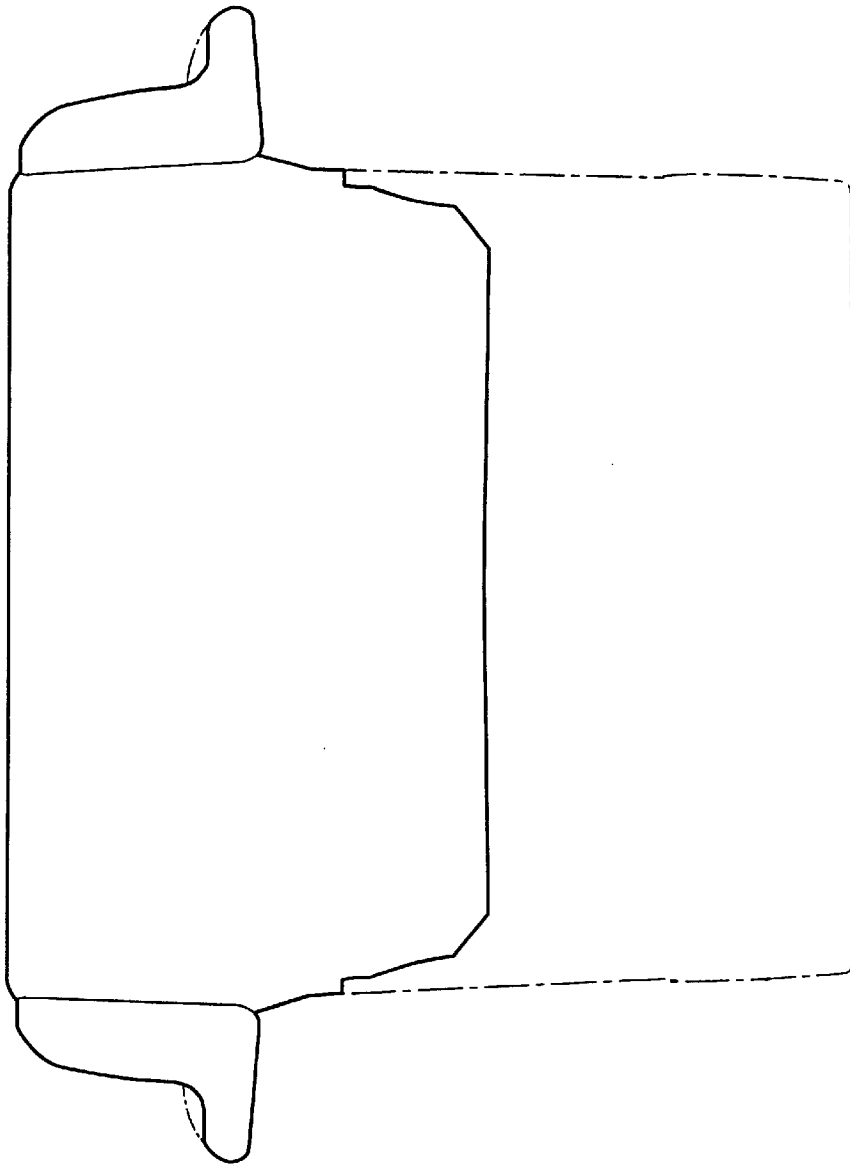


FIG. 3

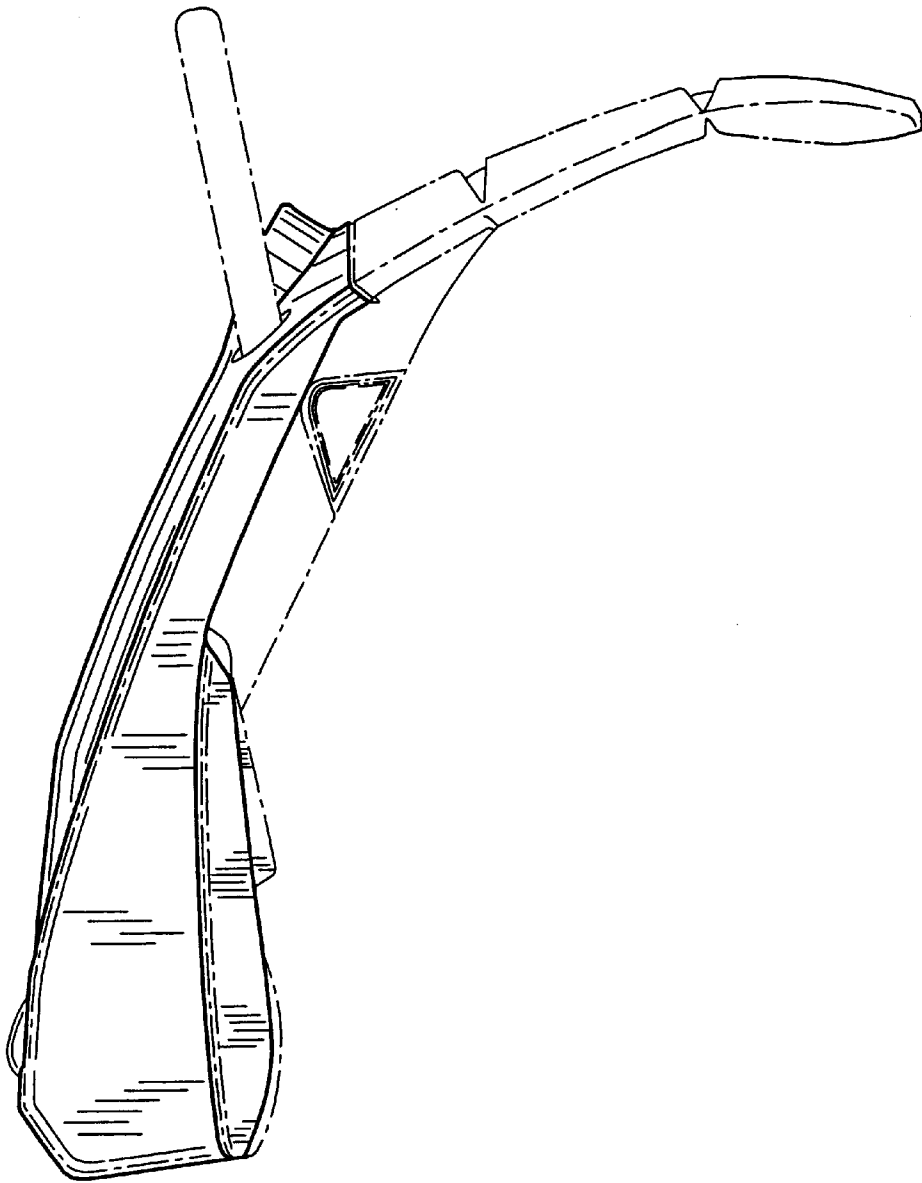


FIG. 4

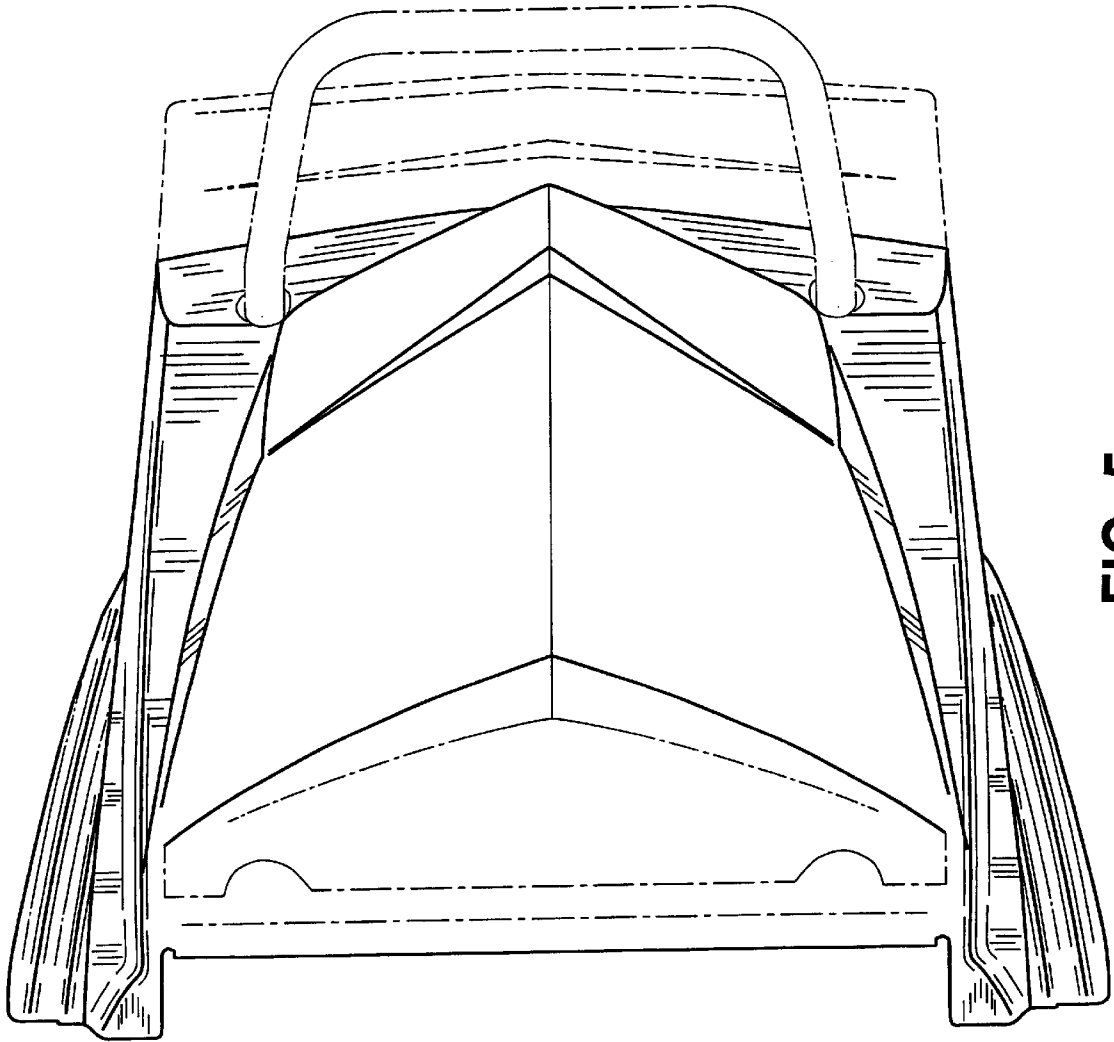


FIG. 5

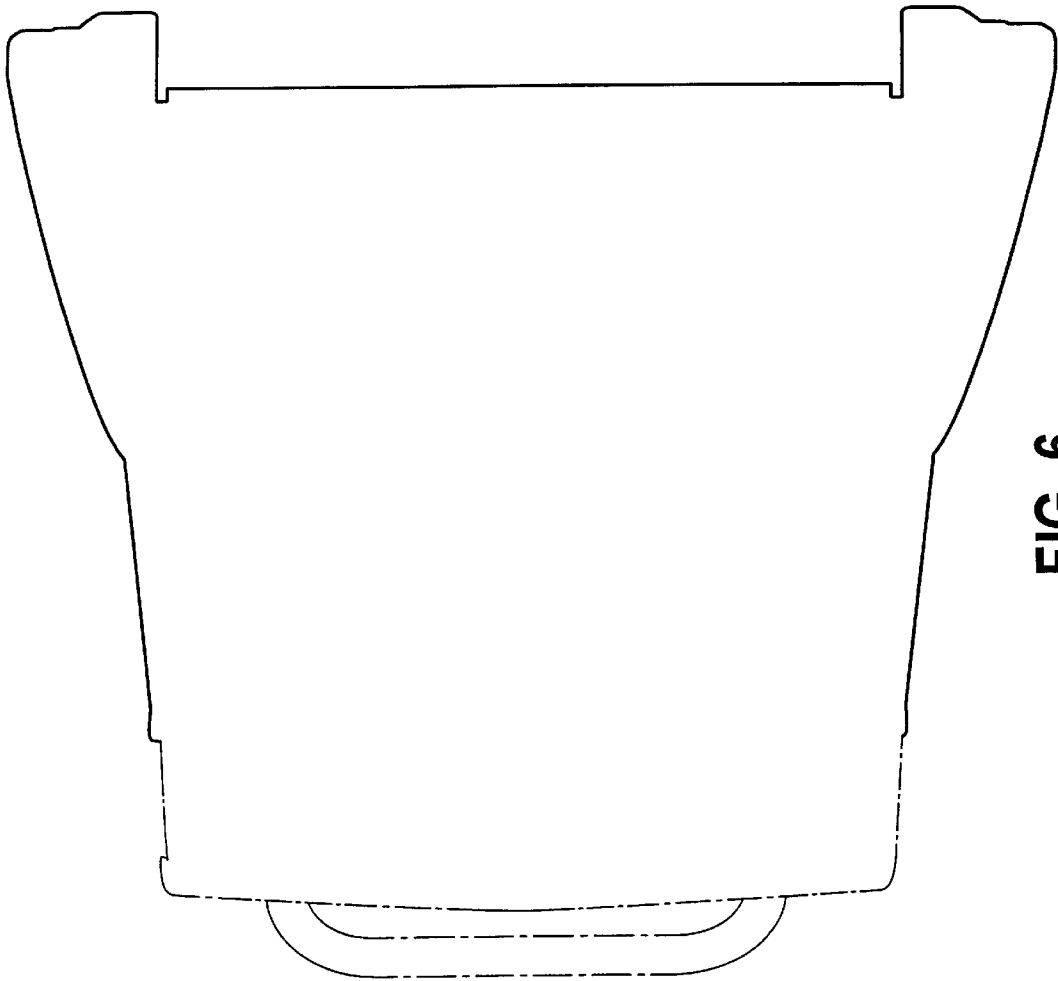


FIG. 6