



US00D401014S

# United States Patent [19]

[11] Patent Number: **Des. 401,014**

Tseng et al.

[45] Date of Patent: **\*\*Nov. 10, 1998**

[54] **SHAVING AID STRIP FOR RAZOR CARTRIDGE**

|             |        |        |
|-------------|--------|--------|
| WO 93/16135 | 8/1993 | WIPO . |
| WO 94/04325 | 3/1994 | WIPO . |
| WO 95/20472 | 8/1995 | WIPO . |
| WO 95/22444 | 8/1995 | WIPO . |
| WO 96/01172 | 1/1996 | WIPO . |
| WO 96/04112 | 2/1996 | WIPO . |
| WO 96/13360 | 9/1996 | WIPO . |

[75] Inventors: **Mingchih M. Tseng**, Hingham;  
**Stephen C. Metcalf**, West Newton,  
both of Mass.

[73] Assignee: **The Gillette Company**, Boston, Mass.

### OTHER PUBLICATIONS

[\*\*] Term: **14 Years**

"The Razor Tamer", Wafer Shave No Drawings.

[21] Appl. No.: **67,419**

*Primary Examiner*—Ted Shooman

*Assistant Examiner*—C. Tuttle

[22] Filed: **Feb. 27, 1997**

*Attorney, Agent, or Firm*—Fish & Richardson P.C.

[51] **LOC (6) Cl.** ..... **28-03**

### [57] CLAIM

[52] **U.S. Cl.** ..... **D28/47**

The ornamental design for a shaving aid strip for a razor cartridge, as shown and described.

[58] **Field of Search** ..... D28/46, 47; 30/41,  
30/48-51, 34.2, 74.1, 77-81, 65

### DESCRIPTION

### [56] References Cited

#### U.S. PATENT DOCUMENTS

|            |        |          |       |        |
|------------|--------|----------|-------|--------|
| D. 231,050 | 3/1974 | Gray     | ..... | D28/46 |
| 1,147,054  | 7/1915 | Turka    | ..... | 30/72  |
| 2,111,217  | 3/1938 | Lawrence | ..... | 30/65  |

(List continued on next page.)

#### FOREIGN PATENT DOCUMENTS

|              |         |                      |             |
|--------------|---------|----------------------|-------------|
| 133093       | 4/1933  | Austria .            |             |
| 0 348 627 A1 | 1/1990  | European Pat. Off. . |             |
| 0 287 387 B1 | 9/1991  | European Pat. Off. . |             |
| 0 313 184 B1 | 6/1992  | European Pat. Off. . |             |
| 0 550 835 A1 | 12/1992 | European Pat. Off. . |             |
| 1481271      | 4/1967  | France               | ..... 30/41 |
| 2 563 142 A1 | 10/1985 | France .             |             |
| 2 637 528 A1 | 4/1990  | France .             |             |
| 35 33 238 A1 | 3/1987  | Germany .            |             |
| 36 04 983 A1 | 8/1987  | Germany .            |             |
| 7-124344     | 5/1995  | Japan .              |             |
| 2 024 082    | 1/1980  | United Kingdom .     |             |
| 2 183 523    | 6/1987  | United Kingdom .     |             |
| WO 92/15278  | 9/1992  | WIPO .               |             |
| WO 93/15883  | 8/1993  | WIPO .               |             |

FIG. 1 is a perspective view of a shaving aid strip for a razor cartridge showing our new design;

FIG. 2 is a side elevation view of the shaving aid strip of FIG. 1, the other side elevation view being a mirror image thereof;

FIG. 3 is a top plan view of the shaving aid strip of FIG. 1; FIG. 4 is a front elevation view of the shaving aid strip of FIG. 1, the rear elevation view being a mirror image thereof;

FIG. 5 is a side elevation view of a second embodiment of the shaving aid strip of FIG. 1, the other side elevation view being a mirror image thereof;

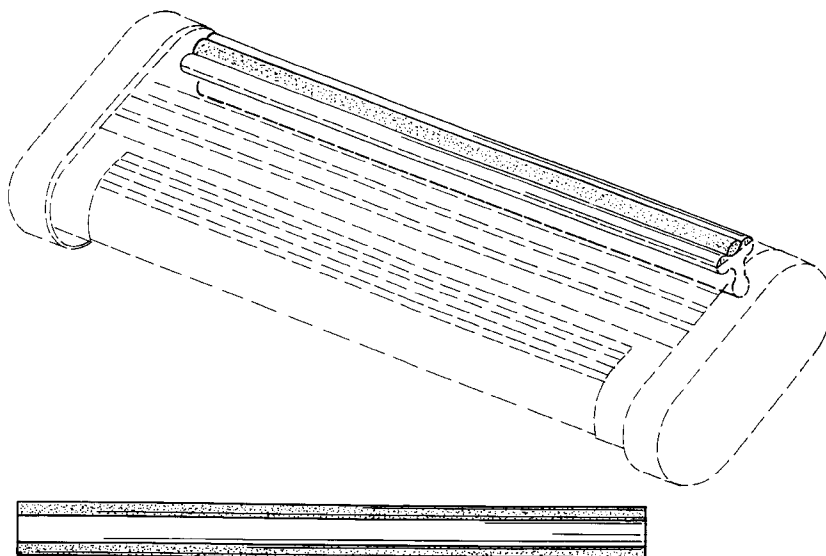
FIG. 6 is a top plan view of the shaving aid strip of FIG. 5; and,

FIG. 7 is a front elevation view of the shaving aid strip of FIG. 5, the rear elevation view being a mirror image thereof.

The broken line which defines the lower boundary of the claimed design forms no part thereof. The broken lines showing the razor cartridge and parts underlying the broken line boundary are for illustrative purposes only and form no part of the claimed design.

The stippling represents a color contrasting surface.

**1 Claim, 1 Drawing Sheet**



| U.S. PATENT DOCUMENTS |         |                        |           |         |                          |
|-----------------------|---------|------------------------|-----------|---------|--------------------------|
| 2,326,774             | 8/1943  | Freedman .             | 4,850,106 | 7/1989  | Braun et al. .           |
| 2,680,290             | 6/1954  | Steinberg .            | 4,872,263 | 10/1989 | Etheredge, III .         |
| 2,703,451             | 3/1955  | Hensel et al. .        | 4,875,287 | 10/1989 | Creary et al. .          |
| 2,750,664             | 6/1956  | Merlo .                | 5,005,287 | 4/1991  | Ritter .                 |
| 2,812,575             | 11/1957 | Abbott et al. .        | 5,056,221 | 10/1991 | Thoene .                 |
| 2,885,993             | 5/1959  | Murphy .               | 5,056,222 | 10/1991 | Miller et al. .          |
| 3,229,659             | 1/1966  | Sciascia .             | 5,062,209 | 11/1991 | Rais .                   |
| 3,394,456             | 7/1968  | Gatz .                 | 5,063,667 | 11/1991 | Jacobson .               |
| 3,512,256             | 5/1970  | Snyder .               | 5,079,839 | 1/1992  | Conrad, Jr. et al. .     |
| 3,517,442             | 6/1970  | Regan ..... 30/41      | 5,095,619 | 3/1992  | Davis et al. .           |
| 3,618,563             | 11/1971 | Singer .               | 5,095,620 | 3/1992  | Althaus .                |
| 3,673,684             | 7/1972  | Muntz ..... 30/34.2    | 5,113,585 | 5/1992  | Rogers et al. .          |
| 3,879,844             | 4/1975  | Griffiths .            | 5,119,557 | 6/1992  | Kaiko .                  |
| 4,170,821             | 10/1979 | Booth .                | 5,134,775 | 8/1992  | Althaus et al. .         |
| 4,201,599             | 5/1980  | Morgans .              | 5,161,307 | 11/1992 | Althaus .                |
| 4,208,984             | 6/1980  | Glanzman .             | 5,191,712 | 3/1993  | Crook et al. .           |
| 4,268,958             | 5/1981  | Hilbert .              | 5,228,478 | 7/1993  | Kleisle .                |
| 4,381,293             | 4/1983  | Michel .               | 5,240,107 | 8/1993  | Casale .                 |
| 4,586,255             | 5/1986  | Jacobson .             | 5,249,361 | 10/1993 | Apprille, Jr. et al. .   |
| 4,604,604             | 8/1986  | Mann .                 | 5,340,581 | 8/1994  | Tseng et al. .           |
| 4,624,051             | 11/1986 | Apprille, Jr. et al. . | 5,345,680 | 9/1994  | Vreeland et al. .        |
| 4,683,096             | 7/1987  | Ferraro .              | 5,347,716 | 9/1994  | Crook .                  |
| 4,692,986             | 9/1987  | Motta et al. .         | 5,349,750 | 9/1994  | Tseng .                  |
| 4,697,342             | 10/1987 | Ferraro .              | 5,388,331 | 2/1995  | Doroodian-Shoja Siamak . |
| 4,777,722             | 10/1988 | Trotta .               | 5,410,810 | 5/1995  | Gillibrand .             |
| 4,778,640             | 10/1988 | Braun et al. .         | 5,416,973 | 5/1995  | Brown et al. .           |
| 4,802,255             | 2/1989  | Breuer et al. .        | 5,430,939 | 7/1995  | Johnston .               |
|                       |         |                        | 5,454,164 | 10/1995 | Yin et al. .             |

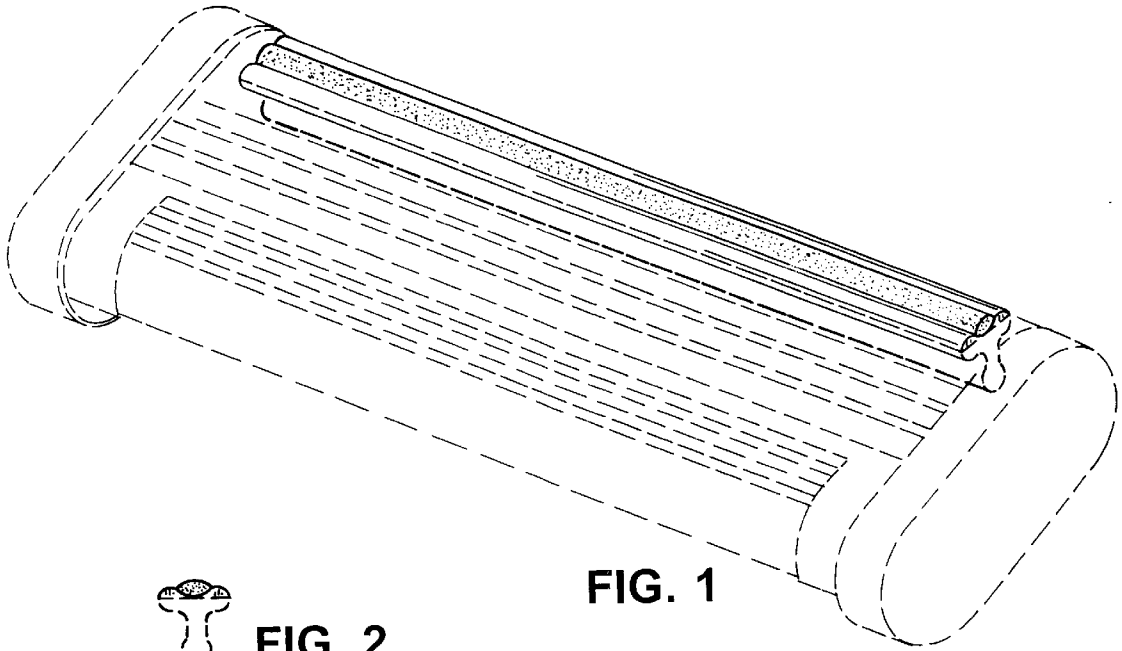


FIG. 1



FIG. 2



FIG. 3

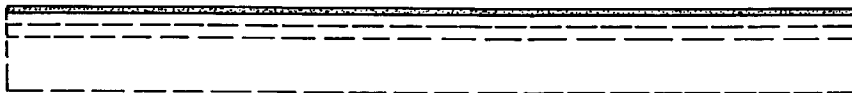


FIG. 4



FIG. 5



FIG. 6

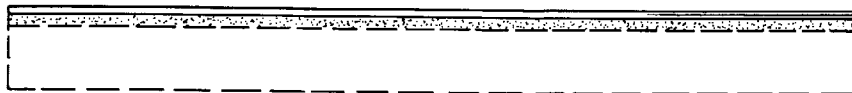


FIG. 7