



(12) **DEMANDE DE BREVET CANADIEN
CANADIAN PATENT APPLICATION**

(13) **A1**

(86) Date de dépôt PCT/PCT Filing Date: 2018/03/23
 (87) Date publication PCT/PCT Publication Date: 2018/10/04
 (85) Entrée phase nationale/National Entry: 2019/09/25
 (86) N° demande PCT/PCT Application No.: CA 2018/050358
 (87) N° publication PCT/PCT Publication No.: 2018/176126
 (30) Priorité/Priority: 2017/03/27 (US62/477,122)

(51) Cl.Int./Int.Cl. *B03B 5/00* (2006.01),
B09B 3/00 (2006.01), *C02F 11/04* (2006.01),
C02F 3/28 (2006.01), *C05F 17/00* (2006.01),
C05F 9/00 (2006.01), *C12P 5/02* (2006.01)
 (71) Demandeur/Applicant:
 ANAERGIA INC., CA
 (72) Inventeurs/Inventors:
 JOSSE, JUAN CARLOS, US;
 BENEDEK, ANDREW, US
 (74) Agent: BORDEN LADNER GERVAIS LLP

(54) Titre : PROCÉDE DE RECUPERATION DE MATIERES ORGANIQUES A PARTIR DE FINES D'INSTALLATION DE
 RECUPERATION DE MATERIAU
 (54) Title: PROCESS FOR RECOVERING ORGANICS FROM MATERIAL RECOVERY FACILITY FINES

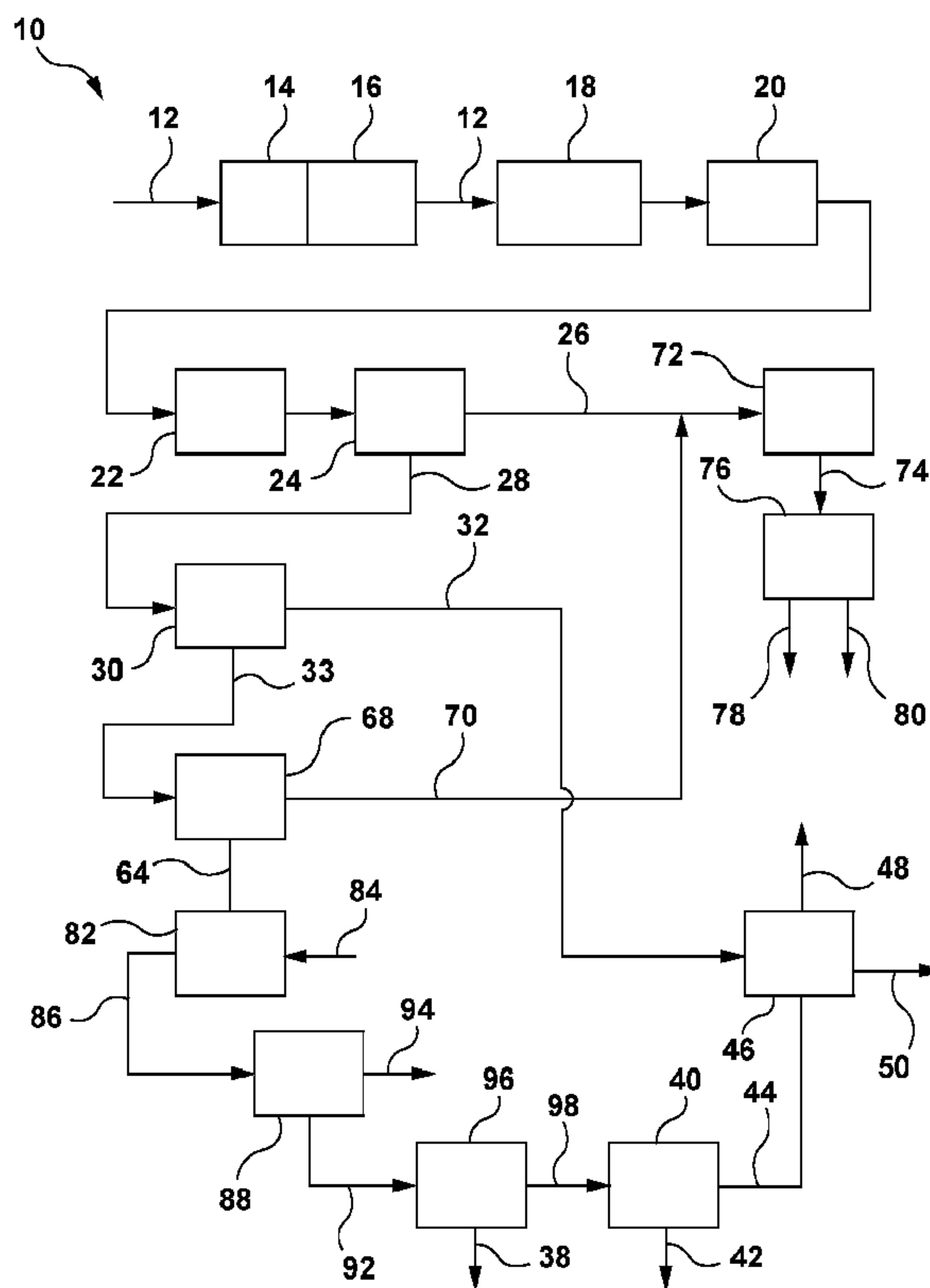


FIG. 1

(57) **Abrégé/Abstract:**

A system and process for separating organic material from solid waste such as material recovery facility (MRF) fines is disclosed. The fines are treated in a press, in which the fines are compressed against a wall having a set of holes. The fines are mixed with a

(57) **Abrégé(suite)/Abstract(continued):**

substantial amount of water before being pressed. The water increases the amount of organic matter that is recovered from the fines. A wet fraction, extruded through the holes of the press, may be treated in an anaerobic digester.

(12) INTERNATIONAL APPLICATION PUBLISHED UNDER THE PATENT COOPERATION TREATY (PCT)

(19) World Intellectual Property
Organization
International Bureau(10) International Publication Number
WO 2018/176126 A1(43) International Publication Date
04 October 2018 (04.10.2018)**(51) International Patent Classification:**

B03B 5/00 (2006.01) *C05F 17/00* (2006.01)
B09B 3/00 (2006.01) *C05F 9/00* (2006.01)
C02F 3/28 (2006.01) *C12P 5/02* (2006.01)
C02F 11/04 (2006.01)

(21) International Application Number:

PCT/CA2018/050358

(22) International Filing Date:

23 March 2018 (23.03.2018)

(25) Filing Language:

English

(26) Publication Language:

English

(30) Priority Data:

62/477,122 27 March 2017 (27.03.2017) US

(71) Applicant: ANAERGIA INC. [CA/CA]; 4210 South Service Road, Burlington, Ontario L7L 4X5 (CA).**(72) Inventors: JOSSE, Juan Carlos;** 1 Pheasant Lane, Aliso Viejo, California 92656 (US). **BENEDEK, Andrew;** P.O. Box 688, Rancho Santa Fe, California 92067 (US).**(74) Agent: PUNDSACK, Scott R.;** BORDEN LADNER GERVAIS LLP, World Exchange Plaza, 100 Queen Street, Suite 1300, Ottawa, Ontario K1P 1J9 (CA).**(81) Designated States** (*unless otherwise indicated, for every kind of national protection available*): AE, AG, AL, AM,

AO, AT, AU, AZ, BA, BB, BG, BH, BN, BR, BW, BY, BZ, CA, CH, CL, CN, CO, CR, CU, CZ, DE, DJ, DK, DM, DO, DZ, EC, EE, EG, ES, FI, GB, GD, GE, GH, GM, GT, HN, HR, HU, ID, IL, IN, IR, IS, JO, JP, KE, KG, KH, KN, KP, KR, KW, KZ, LA, LC, LK, LR, LS, LU, LY, MA, MD, ME, MG, MK, MN, MW, MX, MY, MZ, NA, NG, NI, NO, NZ, OM, PA, PE, PG, PH, PL, PT, QA, RO, RS, RU, RW, SA, SC, SD, SE, SG, SK, SL, SM, ST, SV, SY, TH, TJ, TM, TN, TR, TT, TZ, UA, UG, US, UZ, VC, VN, ZA, ZM, ZW.

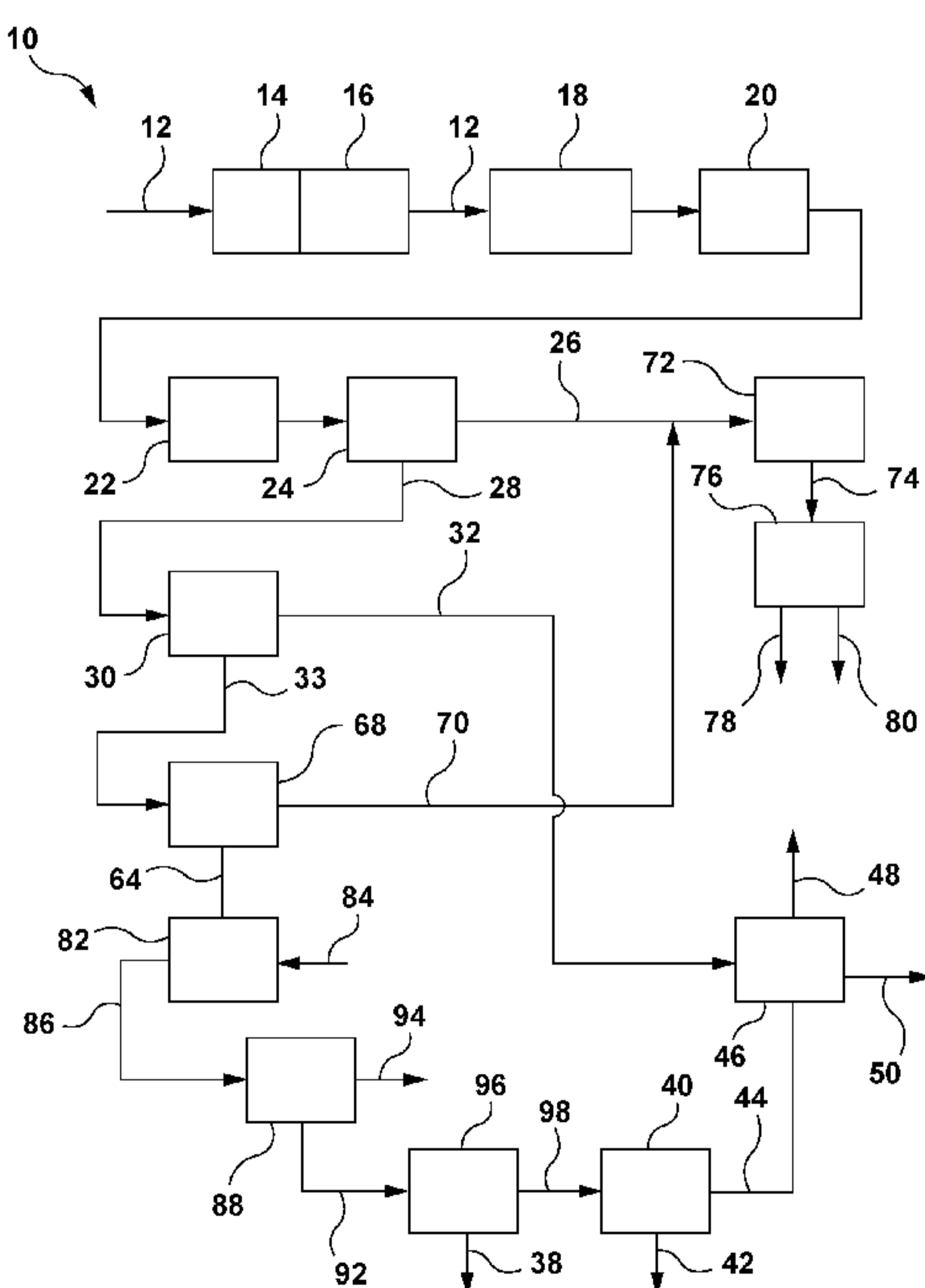
(84) Designated States (*unless otherwise indicated, for every kind of regional protection available*): ARIPO (BW, GH, GM, KE, LR, LS, MW, MZ, NA, RW, SD, SL, ST, SZ, TZ, UG, ZM, ZW), Eurasian (AM, AZ, BY, KG, KZ, RU, TJ, TM), European (AL, AT, BE, BG, CH, CY, CZ, DE, DK, EE, ES, FI, FR, GB, GR, HR, HU, IE, IS, IT, LT, LU, LV, MC, MK, MT, NL, NO, PL, PT, RO, RS, SE, SI, SK, SM, TR), OAPI (BF, BJ, CF, CG, CI, CM, GA, GN, GQ, GW, KM, ML, MR, NE, SN, TD, TG).**Published:**— *with international search report (Art. 21(3))***(54) Title:** PROCESS FOR RECOVERING ORGANICS FROM MATERIAL RECOVERY FACILITY FINES

FIG. 1

(57) Abstract: A system and process for separating organic material from solid waste such as material recovery facility (MRF) fines is disclosed. The fines are treated in a press, in which the fines are compressed against a wall having a set of holes. The fines are mixed with a substantial amount of water before being pressed. The water increases the amount of organic matter that is recovered from the fines. A wet fraction, extruded through the holes of the press, may be treated in an anaerobic digester.

WO 2018/176126 A1

PROCESS FOR RECOVERING ORGANICS FROM MATERIAL RECOVERY FACILITY**FINES****FIELD**

- 5 **[0001]** This specification relates to recovering organic material from waste such as municipal solid waste (MSW).

BACKGROUND

- 10 **[0002]** A material recovery facility (MRF) receives waste, such as MSW, and sorts the waste into various components. Some of the components are glass, plastic, metal or paper products that can be recycled. Other components are generally dry materials that can be burned as refuse derived fuel (RDF) or solid recovered fuel (SRF) to generate heat or electricity. Other components are organic and can be used for compost or converted into methane in an anaerobic digester.

- 15 **[0003]** US Publication 2013/0316428 describes a process in which an organic fraction containing biological cells is separated from solid urban waste. The organic fraction is extruded through a grid having small-bore holes, under a pressure higher than the burst pressure of the cell membranes. The cells are disrupted and a gel of a doughy consistency is produced. The gel is then loaded into a biodigester, where it is readily attacked by
20 bacteria. The press may be as described in European Publication Nos. 1207040 and 1568478. In general, these presses use a plunger to compress waste that has been loaded into a cylinder. The sides of the cylinder are perforated with radial holes. Another suitable press is described in International Publication Number WO 2015/053617, Device and Method for Pressing Organic Material Out of Waste.

25

INTRODUCTION

- [0004]** Many conventional MRFs produce a waste stream of fines. The fines are small (i.e. 2" (51 mm) or less) pieces or aggregates of waste that pass through the screens and other sorting devices in the MRF. The fines typically contain a mixture of inorganic
30 material and organic material. The fines are typically landfilled but, because they contain a material amount of organic material, can only be accepted in some landfills or with payment of high tipping fees.

[0005] This specification describes a system and process for separating organic material from the fines. The fines are treated in a press, in which the fines are compressed in a chamber that has holes in one or more of its walls. However, the inventors have observed that simply pressing the fines recovers only a small part of their organic matter.

5 Without intending to be bound by theory, it may be that the large amount of inert matter, such as glass or grit, either increases the viscosity of the flowable portion of the fines or produces a structure that resists compression. In the system and process described herein, the fines are mixed with a substantial amount of water before being pressed. This increases the amount of organic material that is recovered from the fines. A wet fraction, extruded through
10 the holes of the press, may be treated in an anaerobic digester. The dry fraction may be landfilled.

BRIEF DESCRIPTION OF THE FIGURES

[0006] Figure 1 is a schematic drawing of a solid waste treatment system.

15

DETAILED DESCRIPTION

[0007] A materials recovery facility (MRF) typically produces at least one waste stream that combines organic and inorganic material. The organic material may make up at least 25%, for example 25-75%, of the dried solids (DS) of the waste stream. At least some
20 of the inorganic material is usually non-recyclable, for example grit. In some cases, the waste stream is the "fines", i.e. material that falls through a 2" (51 mm) or smaller rectangular, i.e. square, mesh opening or round hole of a screen or trammel.

[0008] A system and process described herein can be used to extract organics from MRF fines or other waste MRF waste streams. In some cases, at least 60% of the organic
25 material in the fines can be extracted. The extracted organic material can be sent to an anaerobic digester to produce biogas. Removing the organic material can also reduce the cost of landfilling the remaining waste, reduce the weight of material that has to be hauled from the MRF, and reduce the amount of leachate generated when the waste is landfilled.

[0009] A press is used to extract organic material from the fines or other solid waste.
30 In the press, the solid waste is compressed and a wet fraction of the solid waste is extruded through a set of holes in one or more walls of the press. The holes can have a diameter of, for example, between 4 mm and 12 mm, or about 8 mm. The press can operate at high pressure, for example 50 bar or more or 150 bar or more, which is sufficient to rupture cells

in the organic material. Rupturing the cells helps organic material flow through the holes. However, MRF fines tend to be dry with a significant amount of dense, rigid material such as broken glass or grit. It is difficult to mobilize a large proportion of the organics in the fines into the wet fraction. There appears to be too much viscosity, or other flow inhibiting factors, to allow most of the organics to flow through the matrix of compressed waste to the holes.

[0010] To address the problems described above, water is added to the fines before pressing the fines. The water and fines can be mixed together in a cement mixer, a compost mixer with horizontal or vertical augers in a bin, or another suitable mixer. The mixing time is optionally 15 minutes or more or 30 minutes or more. The amount of water added is preferably at least 33%, at least 50%, or at least 100% of the fines by mass. When a mixture of water and the fines is pressed, more of the organics in the fines are mobilized to the wet fraction.

[0011] Figure 1 shows an example of a system for treating solid waste. Solid waste, which may be for example municipal solid waste (MSW), is collected in trucks and dumped in piles in a tipping floor or pit. A loader or grapple places the waste into a dosing feeder that feeds waste into a processing line conveyor at a generally consistent rate suitable for the downstream processes. The waste travels on the conveyor through a pre-sorting area. In the pre-sorting area, large un-bagged bulky items and other non-processible materials (such as furniture, rolls of chain-link fence, carpets, toilet bowls, furniture, etc.) are manually removed from the conveyor.

[0012] The waste continues from the pre-sorting area and drops into a bag opener. The bag opener opens plastic garbage bags. For example, the bag opener may use a coarse tearing shredder, for example a single or double shaft shredder with a 200 mm spacing, to open the bags. The waste with opened bags is then placed on another conveyor.

[0013] The waste continues on the conveyor below an over-belt magnet to remove large ferrous metal items. The waste then passes through a coarse screen. The coarse screen may be, for example, a disc or roller screen with 100-150 mm openings. The coarse screen retains some of the waste, for example about 30-40%, as coarse screen overs. The coarse screen overs contain mostly large, generally dry, items of waste. The remaining 60-70% of the waste passes through the coarse screen and becomes coarse screen unders. The coarse screen unders contain mostly wet or organic matter such as food waste, small containers and some inerts. In an efficient coarse

screening process, about 95% of food waste in the waste 12 may end up in the coarse screen unders 28.

[0014] The coarse screen unders 28 are treated to remove some organic material. For example, the coarse screen unders 28 can be milled under high force shearing, pressing, hammering, or pulverizing in order to dislodge material and separate an organic fraction 32 from rejects 33. In the example shown, a hammer mill 30 dislodges organics from the coarse screen unders 28 and breaks large organic pieces into small particles or, optionally, produces a slurry. In some cases, the mill may require dilution of the coarse screen unders 28. The organic fraction 32 can be separated from the rejects 33 by a screen integrated with the hammer mill 30 that retains the rejects 33 and permits the passage of the organic fraction 32 driven by the hammering or other shearing force. Alternatively, the pulverized mixture of organics and rejects can pass through the hammer mill 30 and into a screw press that separates the organic fraction 32 from the rejects 33 through a screen. Optionally, the hammer mill 30 and any associated screen may be replaced with a second press 88 as described below or by using the same press 88 described below to produce organic fraction 32 and rejects 33.

[0015] The rejects 33 may be removed from the system 10 as fines. Alternatively, as in the example shown, the rejects 33 are sent to a vibrating screen 68, trammel or other separating device. The vibrating screen 68 may have 30 mm to 51 mm round or square openings. Inerts and remaining organic materials fall through the vibrating screen 68 as fines 64. In another alternative, the hammer mill 30 and vibrating screen 68 are replaced by a single trammel screen with holes of multiple sizes. After front end pre-sorting and coarse shredding, for example as described above, the waste is processed in the trammel screen. Some of the waste passes through smaller holes (i.e. 2" (51 mm) or less) in the front of the trammel while other waste passes through larger holes (i.e. up to 8" (205 mm)) in the rest of the trammel. Fines 64 fall through the smaller holes and are collected on a separate conveyor. Waste that falls through the larger holes can be processed as described for vibrating screen overs 70 below.

[0016] Vibrating screen overs 70 are combined with coarse screen overs 26. This waste may be shredded and sent to an incinerator such as a stoker boiler plant. Alternatively, one or both of the coarse screen overs 26 and the vibrating screen overs 70 may pass through additional recyclable recovery units to recover solids such as plastic bottles, bags, fabric, and paper. Recyclables can be recovered, for example by manual

separation, optical sorters or ballistic separators. An eddy current separator can be used to remove pieces of non-ferrous metals, if any. A drum magnet may be used to remove pieces of ferrous material metal, if any. The combined overs 26, 70 then pass through a wind sorter 72. In the wind sorter 72, air nozzles blow material from one belt to another over a gap.

5 RDF fluff 74 flies over the gap. Dense material, i.e. rocks, falls into the gap and is sent to landfill.

[0017] The RDF fluff 74 has about 25% moisture and contains plastic, paper, textiles, other dry fibers, etc. RDF fluff 74 can be burned as RDF to recovery heat or electricity or both. Optionally, the RDF fluff 74 goes to an optical sorter 76. The optical sorter 76
10 separates plastic and other non-cellulosic material from cellulosic material such as wood and paper. Near infrared sensors determine if matter is cellulosic or not. Air jets then separate the RDF fluff 74 into cellulosic fluff 78 and non-cellulosic 80 fluff with about 85-95% efficient separation. Non-cellulosic fluff 80 can be combusted to recover heat or electricity or converted to bio-oil or syngas by pyrolysis. Cellulosic fluff 78 can be combusted to recover
15 heat or electricity, further treated to recover pulp, or sent to a pyrolysis unit to produce syngas or digestible pyrolysis liquid.

[0018] The fines 64 are sent to a mixer 82 and thoroughly mixed with water 84 to produce wet fines 86. The mixing time is optionally 15 minutes or more or 30 minutes or more. The amount of water added is preferably at least 33%, at least 50%, or at least 100%
20 of the fines by mass.

[0019] The wet fines 86 are sent to a press 88. The press 88 compresses the wet fines 86 at high pressure through perforations in an otherwise enclosed extrusion chamber. For example, the pressure may be at least 50 bar or otherwise sufficient to move organic material in the wet fines 86 through the perforations and optionally to burst cells. The
25 perforations may be, for example, 4 to 20 mm diameter circular holes or holes of other shapes with a comparable area. The extrusion chamber can have a cylindrical or square cross section with the holes located in one or more fixed or moving walls of the chamber. The press 88 separates the wet fines 86 into a wet fraction 92, which passes through the perforations, and rejects 94 that remain in the extrusion chamber after compression. Rejects
30 94 may be sent to a landfill.

[0020] The press 88 may be as described in International Publication Number WO 2015/053617, Device and Method for Pressing Organic Material Out of Waste, or as described in European Publication Nos. 1207040 and 1568478, all of which are incorporated

herein by reference. Suitable presses include the VM 2000, OREX and BIOREX presses sold by DB Technologies or Anaergia. Other presses may also be used.

[0021] The wet fraction 92 passes into a polisher 96. In the polisher 96, the wet fraction 92 is fed into a screen cylinder surrounding a rotor. Particles of organic matter in the wet fraction 92 are flung outward from the rotor by its rotating movement and centrifugal forces. The particles of organic material are discharged through perforations in the screen to a first discharge opening. Air flowing along the axis of the rotor carries lighter material past the perforations to a second discharge opening. The airflow may be created by the rotor blades or by a separate fan. The rotor blades may optionally also scrape the inside of the screen. In this way, lighter particles (particularly bits of plastic) are separated from the organic particles in the wet fraction 92. The polisher 96 thereby produces polished wet fraction 98 and floatables 38. The floatables 38 include small pieces of plastic and paper that would tend to collect at the top of an anaerobic digester. A suitable polisher 96 is described in International Publication Number WO 2015/050433, which is incorporated herein by reference. A similar polisher is sold as the DYNAMIC CYCLONE by DB Technologies. Floatables 38 can be sent to landfill or optionally combined with rejects 33.

[0022] The polished wet fraction 98 is treated in a grit removal unit 40. The grit removal unit 40 preferably includes a hydro-cyclone. Water may be added if required to dilute the polished wet fraction 98 to bring its solids content to or below the maximum solids content accepted by the grit removal unit 40. The grit removal unit 40 removes grit 42 large enough to settle in an anaerobic digester. Separated grit 42 is sent to landfill, optionally after rinsing it. One suitable grit removal unit is the PRO:DEC system by CD Enviro.

[0023] Degritted wet fraction 44 is sent to an anaerobic digester 46, alternatively referred to as a digester for brevity. The digester 46 may have one or more mixed covered tanks. Suitable digesters are sold under the Triton and Helios trade marks by UTS Biogas or Anaergia. The digester 46 produces product biogas 48 which may, for example, be used to produce energy in a combined heat and power unit or upgraded to produce biomethane. The digester 46 also produces sludge 50, alternatively called digestate. The sludge 50 can be dewatered, optionally dried, and landfilled or pyrolyzed, or used as compost or applied to land. Digester 46 can also process organics 32. The organics 32 can optionally be extruded through press 88 to produce a wet fraction that is sent to digester 46.

[0024] In an experimental trial, fines (<2 inch or 51 mm) from an MRF plant processing MSW were treated in a test scale press. In a first set of trials, no water was

added to the MRF fines before they were pressed. A 52.5 lb mass of fines was split into three samples of 17.5 lbs each. The three samples were pressed one at a time, removing the retained fines from the press between pressings, and produced a total of 10.3 lbs of fines, or about 20%, in the wet fraction. In a second set of trials, 48.9 lbs. of fines was mixed with 25 lbs. of water in a motorized cement mixer for 30 minutes to produce a 73.9 lb mass of wet fines. The wet fines were split into four samples ranging from 17.3 to 19.4 lbs. The four samples were pressed one at a time, removing the retained fines from the press between pressings, and produced a total of 44.9 lbs in the wet fraction. If it assumed for calculations that none of the added water remained in the press (which is unlikely to be correct but conservative) then 19.9 lbs of fines, or about 41%, were produced in the wet fraction. In a second set of trials, 49.7 lbs. of fines was mixed with 50 lbs. of water in a motorized cement mixer for 30 minutes to produce a 99.7 lb mass of wet fines. The wet fines were split into six samples ranging from 17.3 to 19.4 lbs. The six samples were pressed one at a time, removing the retained fines from the press between pressings, and produced a total of 82.0 lbs in the wet fraction. If it is assumed for calculations that none of the added water remained in the press (which is unlikely to be correct but conservative) then 32.0 lbs of fines, or about 64%, were produced in the wet fraction. It appears that adding water helps to mobilize organics into the wet fraction. Without intending to be limited by theory, it could be that adding water reduces the viscosity of the organics and or provides more time for the organics to travel though the rejects matrix formed during extrusion inside the extrusion chamber of the press.

CLAIMS:

We claim:

- 5 1. A process comprising steps of,
mixing water with solid waste in an amount of at least 50% water by mass per unit
mass of solid waste; and,
pressing the resulting mixture at a pressure of at least 50 bar in an extrusion
chamber.
- 10 2. The process of claim 1 further comprising mixing water with the solid waste in an
amount of at least 50% water per unit mass of solid waste.
- 15 3. The method of claim 1 or 2 wherein the solid waste is fines from a material recovery
facility.
4. The method of claim 3 wherein the fines pass through a rectangular opening that is
51 mm or less on each side, or a round opening of 51 mm or less in diameter.
- 20 5. The method of any preceding claims where the solid waste comprises at least 25%
organic material by dry mass.
6. The method of any preceding claim wherein the water and solid waste are mixed for
at least 15 minutes.
- 25 7. The method of any preceding claim wherein one or more walls of the extrusion
chamber has holes with an area equal to the area of a circle with a diameter in a range of 4
mm to 20 mm.
- 30 8. A system for treating solid waste comprising a mixer, a supply of water and a high
pressure extrusion press.

9. The system of claim 8 wherein the mixer is connected to the supply of water and the press is downstream of the mixer.
10. The system of claim 8 or 9 further comprising a material recovery facility adapted to
5 produce fines from solid waste, wherein the mixer receives the fines.

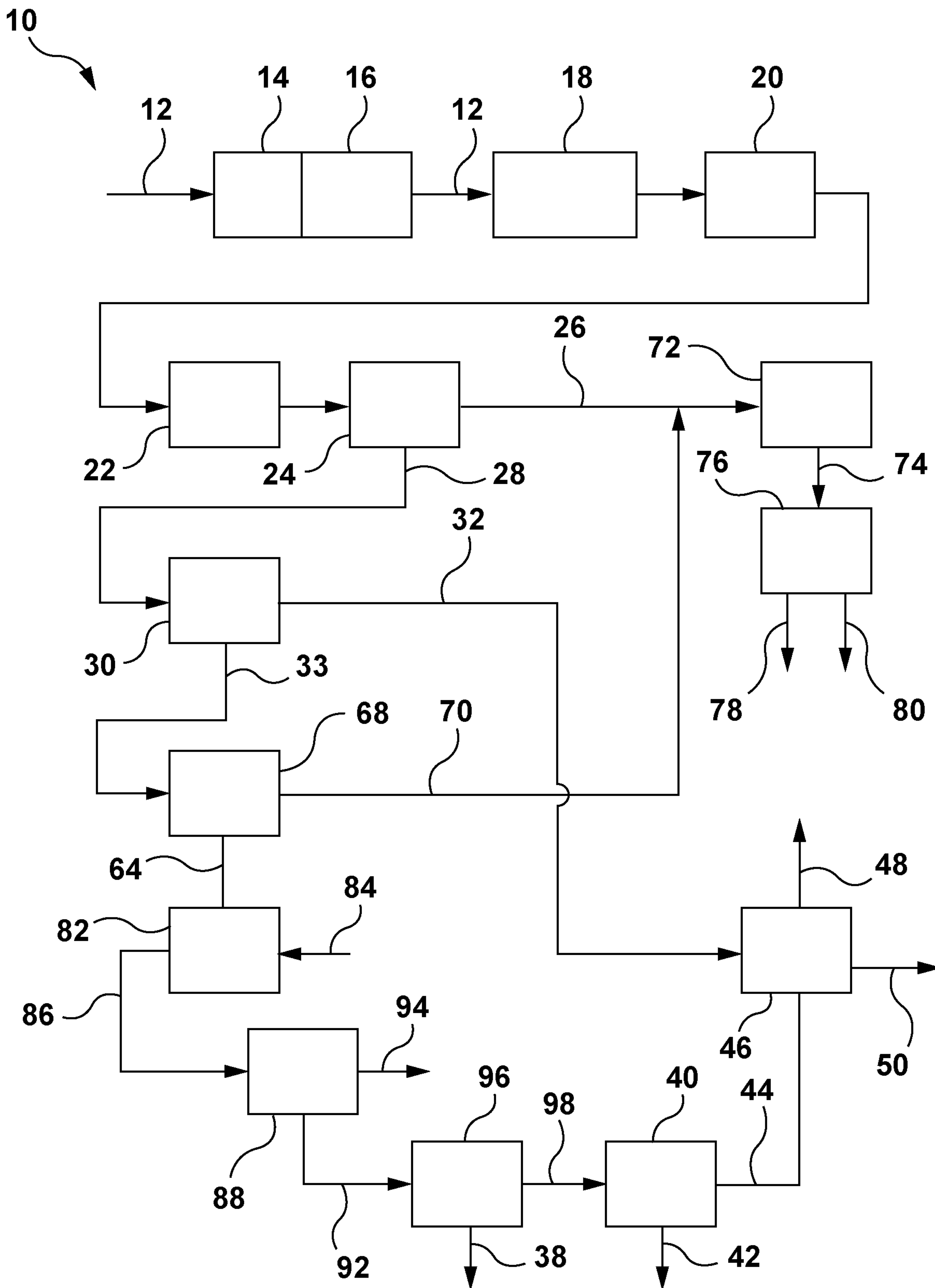


FIG. 1

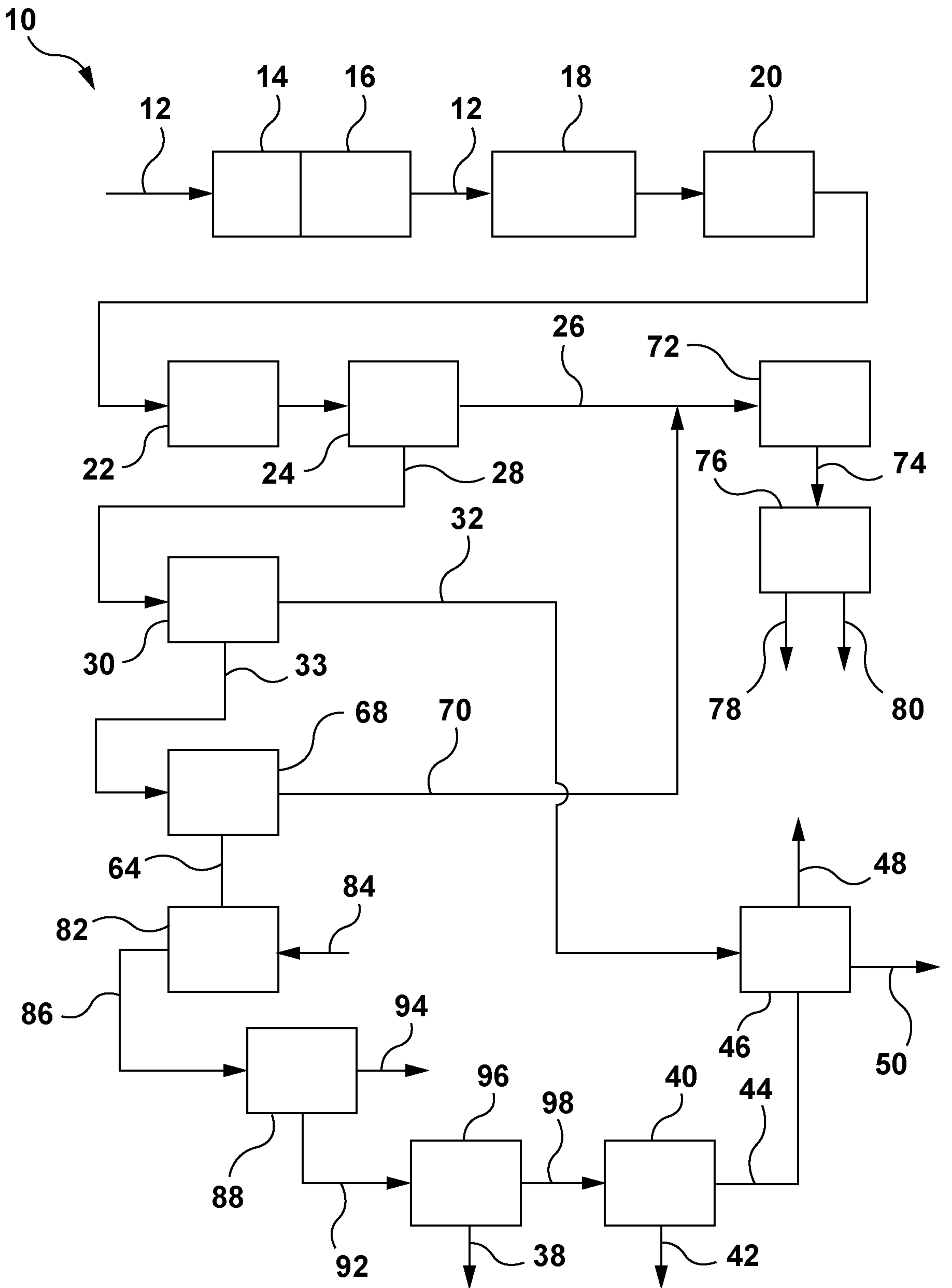


FIG. 1