



- (51) International Patent Classification:
H04W 48/20 (2009.01)
- (21) International Application Number:
PCT/SE2014/050214
- (22) International Filing Date:
21 February 2014 (21.02.2014)
- (25) Filing Language: English
- (26) Publication Language: English
- (71) Applicant: TELEFONAKTIEBOLAGET L M ERICSSON (PUBL) [SE/SE]; SE-164 83 Stockholm (SE).
- (72) Inventors: SACHS, Joachim; Kanalvägen 12a, SE-191 34 Sollentuna (SE). KERÄNEN, Ari; Fredrikinkatu 36 B 26, FI-00100 Helsinki (FI). RUNE, Johan; Terrängvägen 12, SE-181 29 Lidingö (SE). ERIKSSON E, Anders; Dovregatan 12, SE-164 36 Kista (SE). MILITANO, Francesco; Storgatan 52, tr 6, SE-171 52 Solna (SE). BEIJAR, Nicklas; Rajakummuntie 1E, FI-02400 Kirkkonummi (FI). TSIATSIS, Vlasios; Wiboms väg 10, 4tr, SE-17160 Solna (SE).
- (74) Agent: BOU FAICAL, Roger; Ericsson AB, Patent Unit Kista RAN1, SE-164 80 Stockholm (SE).

(81) Designated States (unless otherwise indicated, for every kind of national protection available): AE, AG, AL, AM, AO, AT, AU, AZ, BA, BB, BG, BH, BN, BR, BW, BY, BZ, CA, CH, CL, CN, CO, CR, CU, CZ, DE, DK, DM, DO, DZ, EC, EE, EG, ES, FI, GB, GD, GE, GH, GM, GT, HN, HR, HU, ID, IL, IN, IR, IS, JP, KE, KG, KN, KP, KR, KZ, LA, LC, LK, LR, LS, LT, LU, LY, MA, MD, ME, MG, MK, MN, MW, MX, MY, MZ, NA, NG, NI, NO, NZ, OM, PA, PE, PG, PH, PL, PT, QA, RO, RS, RU, RW, SA, SC, SD, SE, SG, SK, SL, SM, ST, SV, SY, TH, TJ, TM, TN, TR, TT, TZ, UA, UG, US, UZ, VC, VN, ZA, ZM, ZW.

(84) Designated States (unless otherwise indicated, for every kind of regional protection available): ARIPO (BW, GH, GM, KE, LR, LS, MW, MZ, NA, RW, SD, SL, SZ, TZ, UG, ZM, ZW), Eurasian (AM, AZ, BY, KG, KZ, RU, TJ, TM), European (AL, AT, BE, BG, CH, CY, CZ, DE, DK, EE, ES, FI, FR, GB, GR, HR, HU, IE, IS, IT, LT, LU, LV, MC, MK, MT, NL, NO, PL, PT, RO, RS, SE, SI, SK, SM, TR), OAPI (BF, BJ, CF, CG, CI, CM, GA, GN, GQ, GW, KM, ML, MR, NE, SN, TD, TG).

Published: — with international search report (Art. 21(3))

(54) Title: METHOD AND APPARATUS FOR CGW SELECTION

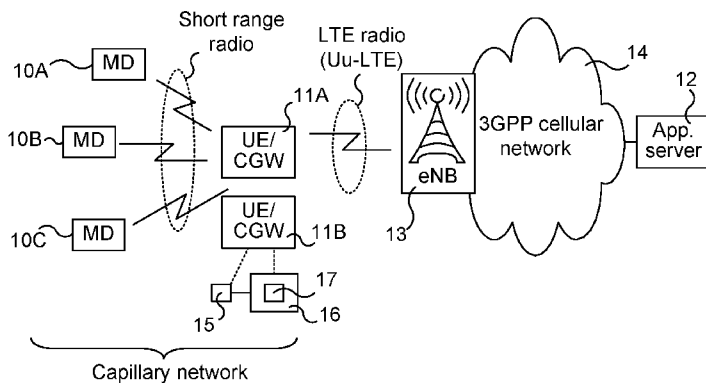
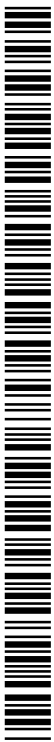


Fig. 1

(57) Abstract: The invention relates to a method of selecting a capillary gateway node (11) via which a Machine Type Communication (MTC) device(10) is to be connected to a radio access network, an MTC device performing the method and a network node performing the method. The invention further relates to computer programs performing the methods according to the present invention, and computer program products comprising computer readable medium having the computer programs embodied therein. The network node (11) configured to select a capillary network gateway node for connecting an MTC device (10) to a radio access network comprises a processing unit(15) and a memory(16) containing instructions executable by the processing unit. The network node is there by operative to obtain an indication of availability of credentials of a plurality of capillary network gateway nodes being capable of connecting the MTC device to the radio access network, and to select one of the plurality of capillary network gateway nodes via which the MTC device is to be connected to the radio access network based at least in part on the availability of credentials of

the plurality of capillary network gateway nodes.



METHOD AND APPARATUS FOR CGW SELECTION

TECHNICAL FIELD

The invention relates to a method of selecting a capillary gateway node via which a Machine Type Communication (MTC) device is to be connected to a radio access network, an MTC device performing the method and a network node performing the method. The invention further relates to computer programs performing the methods according to the present invention, and computer program products comprising computer readable medium having the computer programs embodied therein.

10 BACKGROUND

Over the last years, a cellular communications network structure known as the Internet of Things has emerged. Generally, this network structure comprises a huge number of small autonomous devices, which typically, more or less infrequently (e.g. once per week to once per minute) transmit and receive only small amounts of data, or are polled for data. These devices are sometimes referred to as Machine Type Communication (MTC) devices, Machine-to-Machine (M2M) devices or just Machine Devices (MDs), and are assumed not to be associated with humans, but are rather sensors or actuators of different kinds, which typically communicate with application servers (which configure and receive data from the devices) within or outside the cellular network.

With the nature of MTC devices and their assumed typical uses follow that these devices generally will have to be energy efficient, since external power supplies not necessarily are available and since it is neither practically nor economically feasible to frequently replace or recharge their batteries. In some scenarios the MTC devices may not even be battery powered, but may instead rely on energy harvesting, i.e. gathering energy from the environment, opportunistically utilizing (the often very limited) energy that may be tapped from sun light, temperature gradients, vibrations, etc.

So far, the MTC related work in 3rd Generation Partnership Project (3GPP) has focused on MTC devices directly connected to the cellular network via the radio interface of the cellular network. However, a scenario which is likely to be more prevalent is that most MTC devices connect to the cellular network via a gateway. In such scenarios the gateway acts like a User Equipment (UE) towards the cellular network while maintaining a local network, typically based on a short range radio technology towards the MTC devices. Such a local network, which in a sense extends the reach of the cellular network (to other radio technologies but not necessarily in terms of radio coverage) has been coined capillary network and the gateway connecting the capillary network to the cellular network is thus referred to as a capillary network gateway (CGW). Hence, the capillary network comprises one or more CGWs and a plurality of MTC devices, which connect to a Radio Access Network (RAN) of an available cellular communications network via the one or more CGWs.

Radio technologies that are expected to be common in capillary networks include e.g. IEEE 802.15.4 (e.g. with IPv6 over Low power Wireless Personal Area Networks (6LoWPAN) or ZigBee as higher layers), Bluetooth Low Energy or low energy versions of the IEEE 802.11 family (i.e. Wi-Fi). A capillary network may be single hop (i.e. all MTC devices have a direct link to the CGW), e.g. a Wi-Fi network with the CGW as the access point, or multi-hop (i.e. some MTC devices may have to communicate via one or more other MTC devices to reach the CGW), e.g. an IEEE 802.15.4+ZigBee network with the CGW being a Personal Area Network (PAN) controller. In multi-hop cases, the Routing Protocol for Low-Power and Lossy Networks (RPL) may be used. In principle, RPL may be used also in single hop networks, but there is less need for a routing protocol in such networks.

The field of capillary networks is still not abundantly explored and many issues are still to be resolved. For instance, a problem to be solved is to how handle authentication, identification and/or secure communication of the MTC devices towards the cellular network.

SUMMARY

It is an object of the present invention to solve, or at least mitigate this problem in the art and to provide an improved method and device for selecting a capillary network gateway node for connecting a wireless device,
5 such an MTC device, to a radio access network.

This object is attained in a first aspect of the present invention by a method of selecting a capillary network gateway node for connecting an MTC device to a radio access network. The method comprises obtaining an indication of availability of credentials of a plurality of capillary network gateway nodes
10 being capable of connecting the MTC device to the radio access network. The method further comprises selecting one of the plurality of capillary network gateway nodes via which the MTC device is to be connected to the radio access network based at least in part on the availability of credentials of the plurality of capillary network gateway nodes.

15 This object is attained in a second aspect of the present invention by a network node configured to select a capillary network gateway node for connecting an MTC device to a radio access network. The network node comprises a processing unit and a memory containing instructions executable by the processing unit. The network node is thereby operative to obtain an
20 indication of availability of credentials of a plurality of capillary network gateway nodes being capable of connecting the MTC device to the radio access network, and to select one of the plurality of capillary network gateway nodes via which the MTC device is to be connected to the radio access network based at least in part on the availability of credentials of the plurality
25 of capillary network gateway nodes.

This object is attained in a third aspect of the present invention by an MTC device configured to select a capillary network gateway node for connecting to a radio access network. The MTC device comprises a processing unit and a memory containing instructions executable by the processing unit. The MTC
30 device is thereby operative to obtain an indication of availability of credentials of a plurality of capillary network gateway nodes being capable of

connecting the MTC device to the radio access network, and to select one of the plurality of capillary network gateway nodes via which the MTC device is to be connected to the radio access network based at least in part on the availability of credentials of the plurality of capillary network gateway nodes.

- 5 Further provided are computer programs performing the methods according to the present invention, and computer program products comprising computer readable medium having the computer programs embodied therein.

Advantageously, by implementing a capillary gateway (CGW) selection
10 process for connecting a wireless device, referred to in the following as an MTC device, to a radio access network according to embodiments of the present invention, a control mechanism for selecting one out of a plurality of available CGWs is provided. In particular, selection of a CGW is enabled while taking into account authentication, identification and/or security
15 requirements of e.g. a telecommunication operator in the cellular network. This is undertaken by determining which one out of a plurality of CGWs to select for connecting the MTC device to the radio access network based on the availability of credentials of the plurality of CGWs, such as the number of credentials available, the credentials being embodied for instance in the form
20 of a shared secret such as a secret encryption key, passwords, identifiers, etc. held by an authenticating entity in the network (and the selected CGW).

In an embodiment of the present invention, the CGW having the greatest number of credentials available, in order to have the MTC device engage in communication relating to authentication, identification and/or
25 confidentiality using the credentials, is selected. Advantageously, the risk of depleting a CGW of credentials is less when turning to the CGW having the greatest number of credentials.

In another embodiment of the present invention, it is determined whether the number of credentials available at the respective CGW is equal to or
30 exceeds a predetermined credential threshold value. If that is the case, one of

the CGWs having a number of credentials exceeding the threshold value may be connected to. Advantageously, great flexibility is offered in that the threshold can be set such that no CGW is selected which is at the risk of being depleted of credentials. For instance, the credential threshold value could be
5 set to correspond to a number of credentials enough to serve two MTC devices. By choosing such a threshold value, at least two MTC devices can be served with credentials.

The CGW selection is in further embodiments complemented with additional criteria which must be fulfilled for a CGW to be selected (even though it has a
10 great number of credentials available), such as one or more of: channel quality, required transmission power, battery/energy status of the MTC device, physical location, distance to CWG or capillary network technology used by the various CGWs, etc. Thus, even though a CGW may have access to credentials, these credentials may still not be available to the MTC device, e.g.
15 due to the CGW being unreachable for the MTC device.

The present invention improves the CGW selection in capillary networks by taking credential information into account when making the selection, thereby enabling the network to have more control of the choice of CGW of the MTC devices. In addition, enabling selection of CGWs with appropriate
20 availability of credentials avoids the risk of MTC devices not being able to authenticate or identify themselves towards appropriate nodes in the cellular network and/or to engage in secure communication requiring the appropriate credentials.

Thus, the MTC device, or a network node such as the CGW itself being for
25 instance a Wi-Fi Access Point (AP), or any other appropriate network node, determines which CGW out of a plurality of CGWs should be selected on the basis of the availability of credentials at the CGWs.

In further embodiments of the present invention, the network node is a Serving Gateway (SGW), a Packet Data Network Gateway (PGW) or an
30 Evolved NodeB (eNodeB) in a Long Term Evolution (LTE) network, a Serving

General Packet Service Support Node (SGSN), a Gateway General Packet Service Support Node (GGSN), a Radio Network Controller (RNC), or a NodeB in a Universal Mobile Telecommunication System, UMTS, network, or an SGSN, a GGSN, a Base Station Controller (BSC), or a Base Transceiver
5 Station (BTS) in a Global System for Mobile communications (GSM) network. The network node may further be a Services Capability Server (SCS).

Further embodiments of the present invention will be described in the detailed description of the invention.

10 Generally, all terms used in the claims are to be interpreted according to their ordinary meaning in the technical field, unless explicitly defined otherwise herein. All references to "a/an/the element, apparatus, component, means, step, etc." are to be interpreted openly as referring to at least one instance of the element, apparatus, component, means, step, etc., unless explicitly stated
15 otherwise. The steps of any method disclosed herein do not have to be performed in the exact order disclosed, unless explicitly stated.

BRIEF DESCRIPTION OF THE DRAWINGS

The invention is now described, by way of example, with reference to the accompanying drawings, in which:

20 Figure 1 illustrates a capillary network according to an embodiment of the present invention;

Figure 2A illustrates a flow chart of an embodiment of the method according to the present invention;

25 Figure 2B illustrates a flow chart of a further embodiment of the method according to the present invention;

Figure 2C illustrates a flow chart of yet a further embodiment of the method according to the present invention;

Figure 3 shows a schematic overview of an exemplifying wireless communication system in which the present invention can be implemented;

Figure 4 shows a schematic overview of the exemplifying wireless communication system of Figure 3 with an embodiment of the present invention implemented;

Figure 5 shows a schematic overview of the exemplifying wireless communication system of Figure 3 with another embodiment of the present invention implemented;

Figure 6a shows a network node according to an embodiment of the present invention; and

Figure 6b shows an MTC device according to an embodiment of the present invention.

DETAILED DESCRIPTION

The invention will now be described more fully hereinafter with reference to the accompanying drawings, in which certain embodiments of the invention are shown. This invention may, however, be embodied in many different forms and should not be construed as limited to the embodiments set forth herein; rather, these embodiments are provided by way of example so that this disclosure will be thorough and complete, and will fully convey the scope of the invention to those skilled in the art. Like numbers refer to like elements throughout the description.

Figure 1 illustrates a capillary network according to an embodiment of the present invention. A number of wireless devices referred to as Machine Devices (MDs) or Machine Type Communication (MTC) devices 10A, 10B, 10C connect to a plurality of Capillary Network Gateways (CGWs) 11A, 11B, typically via short range radio communication such as Near Field Communications (NFC), Radio-Frequency Identification (RFID), Wireless Local Area Network (WLAN), Bluetooth or any technology utilizing the IEEE 802.15.4 standard, such as ZigBee or MiWi. The capillary network may for

instance be implemented in a factory setting where the MTC devices 10A, 10B, 10C could amount to hundreds or even thousands of sensors for measuring physical properties (such as temperature, pressure, energy consumption, etc.) of an industrial process and reporting via the CGWs 11A, 11B in the form of Wi-Fi Access Points (APs) to an application server 12 via an eNodeB 13 of a RAN in an LTE network 14.

Now, for authentication, identification and/or security reasons, it may be necessary to communicate 3GPP credentials to the MTC devices 10A, 10B, 10C for communication with for instance the application server 12. These credentials could include MTC device identification (ID) data in the form of e.g. a serial number, an International Mobile Subscriber Identity (IMSI), encryption keys, shared secrets, etc. In another example, to be able to perform authentication or communicate securely, the MTC devices 10A, 10B, 10C may need to have access to a subscription token stored in an application, such as an ISIM (Internet Protocol Multimedia Services Identity Module) or USIM (Universal Subscriber Identity Module) or an electronically transferable subscriber identity module such as an MCIM (Machine Communications Identity Module), which can be downloaded from the network 14 via the CGWs 11A, 11B. It is also possible that the credentials and/or subscription token(s) are not conveyed to the MTC device(s), but are only downloaded to, or otherwise stored in the CGW. In this alternative scenario the CGW may execute the authentication procedure on behalf of an MTC device.

To conclude, a variety of credentials can be envisaged for providing network identification, authentication and/or security in communication between the MTC devices 10A, 10B, 10C and any suitable authenticating entity in the network 14 such as the server 12. Further, the MTC devices 10A, 10B, 10C may be authenticated by the application server 12 in accordance with any appropriate authentication procedure, such as for instance Generic Bootstrapping Architecture (see 3GPP TS 33.220 V12.0.0). Generally, but not necessarily, the CGWs 11A, 11B are under the control of an operator of the

cellular network 14 even though the cellular network operator does not necessarily own the CGW.

With further reference to Figure 1, the network node in which embodiments of the present invention is implemented could, as previously has been
5 discussed, be any one of the CGWs 11A, 11B. In practice, the method at the CGW 11A, 11B of connecting the MTC devices 10A, 10B, 10C to the RAN of the 3GPP network 14 is performed by a processing unit 15 embodied in the form of one or more microprocessors arranged to execute a computer program 17
10 downloaded to a suitable storage medium 16 associated with the microprocessor, such as a Random Access Memory (RAM), a Flash memory or a hard disk drive. Thus, as is illustrated by means of dashed lines in Figure 1, the processing unit 15 and the storage medium are included in the CGW 11B. The processing unit 15 is arranged to carry out the method according to
15 embodiments of the present invention when the appropriate computer program 17 comprising computer-executable instructions is downloaded to the storage medium 16 and executed by the processing unit 15. The storage medium 16 may also be a computer program product comprising the computer program 17. Alternatively, the computer program 17 may be transferred to the storage medium 16 by means of a suitable computer
20 program product, such as a Digital Versatile Disc (DVD) or a memory stick. As a further alternative, the computer program 17 may be downloaded to the storage medium 16 over a network. The processing unit 15 may alternatively be embodied in the form of a digital signal processor (DSP), an application specific integrated circuit (ASIC), a field-programmable gate array (FPGA), a
25 complex programmable logic device (CPLD), etc. Further, even though not shown in Figure 1, the MTC devices typically comprise a corresponding processing unit and memory unit comprising a computer program executable by the processing unit.

There are two potential ways for the 3GPP credentials (will be referred to in
30 the following as “the credentials”) to be used for MTC device authentication. Either the CGWs 11A, 11B (or some other appropriate network node) act on behalf of the MTC devices 10A, 10B, 10C in an authentication procedure or

the CGWs 11A, 11B assign the credentials to the MTC devices, so that they can use the credentials themselves during an authentication procedure.

To this end, a CGW may have a set, or a pool, of such credentials, which are dynamically used for - or by - different MTC devices that are connected to the
5 CGW. Hence, the number of available credentials in a CGW may vary and the pool of credentials may even be depleted. The CGW may then have to turn to a supervising node in the network for more credentials.

When the availability of credentials in the CGWs is taken into account in the CGW selection in accordance with embodiments of the present invention, the
10 CGW selection is improved, thereby enabling the network to have more control of the choice of CGW of the MTC devices. In addition, enabling selection of CGWs with appropriate availability of credentials avoids the risk of MTC devices not being able to authenticate or identify themselves towards appropriate nodes in the cellular network and/or to engage in secure
15 communication requiring the appropriate credentials. Further, by carefully selecting CGWs on the basis of availability of credentials, a more even distribution of credentials among the CGWs is attained, thereby potentially decreasing the rate with which the CGWs may have to turn to the network for more credentials.

20 Figure 2A illustrates a flow chart of an embodiment of the method according to the present invention. Reference is further made to network elements shown in Figure 1. Thus, assuming that a first MTC device 10A is about to connect to the eNodeB 13 of the RAN of the network 14 (via one of the available CGWs). This may either imply establishing a new connection to a
25 CGW or handing over an established connection from one CGW to another. In a first step S101, availability of credentials of a first CGW 11A and a second CGW 11B being capable of connecting the MTC device 10A to the RAN is obtained. Thus, either the first MTC device 10A acquires an indication of the number of credentials of the first and second CGW 11A, 11B, respectively, or
30 any one or both of the CGWs (or another network node being responsible for this particular task) acquire said indication and inform the first MTC device

10A accordingly. It is possible that all CGWs in a certain capillary network are aware of the number of credentials available at each individual CGW, and that an MTC device simply acquires an indication of the number of credentials by receiving the indication either from the respective CGW, or
5 from a single CGW reporting to the MTC device on behalf of the other CGWs. This single CGW may for instance be the CGW which subsequently is to be selected for connecting the MTC device to the RAN. In this particular exemplifying embodiment, the first CGW 11A has access to more credentials than the second CGW 11B, assuming for instance that the first CGW 11A has
10 access to 20 credentials while the second CGW 11B has access to 10 credentials. Hence, in step S102, the first MTC device 10A connects to the radio access network via one of the at least two gateway based on the number of credentials available at the two gateway nodes, wherein in this particular exemplifying embodiment, the CGW 11A having the greatest number of
15 credentials available is selected for connecting the first MTC device 10A to the RAN.

Figure 2B illustrates a flow chart of a further embodiment of the method according to the present invention. Reference is further made to network elements shown in Figure 1. In this exemplifying embodiment, the first CGW
20 11A and the second CGW 11B still have 20 and 10 credentials, respectively, as determined in step S101, but a further criterion is also considered before a CGW is selected for connecting the MTC device 10A, 10B, 10C to the RAN. This criterion includes for example any one or more of: channel quality, required transmission power, battery/energy status of the MTC device,
25 physical location, distance to CWG or capillary network technology used by the various CGWs, etc. Thus, assuming for example that the quality is poor for a channel to be established between the first MTC device 10A and the first CGW 11A having the greatest number of credentials available, implying that the first CGW 11A does not satisfy predetermined quality criteria for the
30 communication, the first MTC device 10A is connected to the RAN via the selected second CGW 11B having a sufficiently good estimated communication quality in step S102a, even though its number of credentials

are lower. As mentioned, other exemplifying criteria that may have to be satisfied are e.g. a maximum distance to the CGW, maximum required transmission power of the MTC device, compliance of MTC device with CGW technology, no increase in required MTC device transmission power is
5 allowed, etc.

In a further embodiment, the CGWs available to the MTC devices are listed in order of priority in accordance with number of credentials available at the respective CGW, where the list is complemented with one or more criteria to be satisfied. For instance, the list could further include expected
10 communication quality of using the respective CGW, such that selection of a CGW having inferior expected communication quality is avoided even though it has access to a great number of credentials. Thus, if the CGW having the greatest number of credentials available does not fulfil a predetermined quality criterion, a next highest CGW fulfilling the criteria is connected to. In
15 case two or more CGWs have the same (greatest) number of credentials, such a CGW is evaluated before turning to a CGW having a lower number of credentials. Another example is that the criterion to be used in combination with the CGW priority list is that the CGW has to be available to the MTC device, i.e. reachable from the MTC device. In such a case the MTC device
20 would select the first CGW in the list that is available/reachable. This example alternative may be useful e.g. if the CGW priority list is created by an entity that is not aware of which CGWs that are available/reachable to/from the MTC device.

Figure 2C illustrates a flow chart of yet a further embodiment of the method
25 according to the present invention. Reference is further made to network elements shown in Figure 1. In this further embodiment of the present invention, the CGW selection indicates preference for CGWs where the number of credentials available obtained in step S101 equals to or exceeds a predetermined credential threshold value T. For instance, the credential
30 threshold value is set in step S101b such that a CGW 11A, 11B is selected only if it has credentials left to serve more than two MTC devices 10A, 10B, 10C. Hence, a CGW whose pool of credentials would be depleted if the MTC device

connects to it is avoided when possible thereby giving other MTC devices, which may have no other CGW in reach, a chance to be served. Thus, in an embodiment, the credential threshold value is advantageously set to correspond to a number of credentials enough to serve at least two MTC
5 devices. As can be seen in step S102b, only a CGW for which the number of credentials equals to or exceeds the threshold value is connected to.

Further, in case more than one CGW have a number of credentials available being equal to or exceeding the credential threshold value, the CGW having the greatest number of credentials could advantageously be selected for
10 connection to the RAN. In line with previously discussed embodiments, one or more additional criteria (such as e.g. communication quality) may have to be satisfied for a CGW to be selected even though the CGW has a number of credentials exceeding the credential threshold value. In a further example, assuming for instance that the quality of the channel between an MTC device
15 and a first CGW is not considered sufficiently good, a second CGW having a fewer number of credentials – but better channel quality – is selected for connecting the MTC device to the RAN.

As has been described in the above, even though an MTC device 10A, 10B itself may be responsible for executing selection of, and subsequent
20 connection to, CGWs 11A, 11B, e.g. in terms of association with a Wi-Fi CGW, appropriate entities in the network 14 may preferably be allowed to maintain some level of control over the MTC devices' selections. This control may be implemented in the form of explicit instructions, policies/rules based on contextual input parameters, and/or modification of contextual parameters
25 that may indirectly affect the MTC devices selection of CGW. The information about the availability of 3GPP/USIM credentials in the CGWs may be communicated in a number of different manners and from a number of different network entities.

Figure 3 shows a schematic overview of an exemplifying wireless
30 communication system 200 in which the present invention can be implemented. The wireless communication system 200 is an LTE based

system. It should be pointed out that the terms “LTE” and “LTE based” system is here used to comprise both present and future LTE based systems, such as, for example, advanced LTE systems. It should be appreciated that although Figure 3 shows a wireless communication system 200 in the form of an LTE based system, the example embodiments herein may also be utilized in connection with other wireless communication systems, such as e.g. GSM or UMTS, comprising nodes and functions that correspond to the nodes and functions of the system in Figure 3.

The wireless communication system 200 comprises one or more base stations in the form of eNodeBs, operatively connected to a Serving Gateway (SGW), in turn operatively connected to a Mobility Management Entity (MME) and a Packet Data Network Gateway (PGW), which in turn is operatively connected to a Policy and Charging Rules Function (PCRF). The eNodeB is a radio access node that interfaces with a mobile radio terminal, e.g. a UE or an Access Point. The eNodeB of the system forms the radio access network called Evolved Universal Terrestrial Radio Access Network (E-UTRAN) for LTE communicating with the UE over an air interface such as LTE-Uu. The core network in LTE is known as Evolved Packet Core (EPC), and the EPC together with the E-UTRAN is referred to as Evolved Packet System (EPS). The SGW routes and forwards user data packets over the S1-U interface, whilst also acting as the mobility anchor for the user plane during inter-eNodeB handovers and as the anchor for mobility between LTE and other 3rd Generation Partnership Project (3GPP) technologies (terminating S4 interface and relaying the traffic between 2G/3G systems and PGW). For idle state UEs, the SGW terminates the downlink data path and triggers paging when downlink data arrives for the UE, and further manages and stores UE contexts, e.g. parameters of the IP bearer service, network internal routing information. It also performs replication of the user traffic in case of lawful interception. The SGW communicates with the MME via interface S11 and with the PGW via the S5 interface. Further, the SGW may communicate with the UMTS radio access network UTRAN and with the GSM EDGE

(“Enhanced Data rates for GSM Evolution”) Radio Access Network (GERAN) via the S12 interface.

The MME is responsible for idle mode UE tracking and paging procedure including retransmissions. It is involved in the bearer activation/deactivation process and is also responsible for choosing the SGW for a UE at the initial
5 attach and at time of intra-LTE handover involving core network node relocation. It is responsible for authenticating the user by interacting with the Home Subscriber Server (HSS). The Non-Access Stratum (NAS) signaling terminates at the MME and it is also responsible for generation and
10 allocation of temporary identities to UEs via the S1-MME interface. It checks the authorization of the UE to camp on the service provider’s Public Land Mobile Network (PLMN) and enforces UE roaming restrictions. The MME is the termination point in the network for ciphering/integrity protection for NAS signaling and handles the security key management. Lawful interception
15 of signaling is also supported by the MME. The MME also provides the control plane function for mobility between LTE and 2G/3G access networks with the S3 interface terminating at the MME from the Serving General Packet Radio Service (GPRS) Support Node (SGSN). The MME also terminates the S6a interface towards the home HSS for roaming UEs.
20 Further, there is an interface S10 configured for communication between MMEs for MME relocation and MME-to-MME information transfer.

The PGW provides connectivity to the UE to external packet data networks (PDNs) by being the point of exit and entry of traffic for the UE. A UE may have simultaneous connectivity with more than one PGW for accessing
25 multiple PDNs. The PGW performs policy enforcement, packet filtering for each user, charging support, lawful Interception and packet screening. Another key role of the PGW is to act as the anchor for mobility between 3GPP and non-3GPP technologies such as WiMAX and 3GPP2 (CDMA 1X and EvDO). The interface between the PGW and the packet data network,
30 being for instance the Internet, is referred to as the SGi. The packet data network may be an operator external public or private packet data network or

an intra operator packet data network, e.g. for provision IP Multimedia Subsystem (IMS) services.

The PCRF determines policy rules in real-time with respect to the radio terminals of the system. This may e.g. include aggregating information in
5 real-time to and from the core network and operational support systems, etc. of the system so as to support the creation of rules and/or automatically making policy decisions for user radio terminals currently active in the system based on such rules or similar. The PCRF provides the PGW with such
10 rules and/or policies or similar to be used by the acting PGW as a Policy and Charging Enforcement Function (PCEF) via interface Gx. The PCRF further communicates with the packet data network via the Rx interface.

Figure 4 illustrates the LTE network of Figure 3 but with the capillary network according to embodiments of the present invention further implemented. Thus, the MTC devices 10A, 10B, 10C select (and subsequently
15 connect to) one or more of the CGWs 11A, 11B based at least in part on the number of credentials available at the CGWs, and further connect to the cellular EPC network 14 via eNodeB 13 in the E-UTRAN (and possibly to the application server 12 via the Internet).

In an embodiment of the present invention, the obtaining of availability of
20 credentials at the CGWs 11A, 11B and the taking of a decision to connect the MTC devices to a selected CGW based on the available credentials, as has been described throughout various embodiments in the above, may be undertaken at a network node in the EPC 14 by a functional network entity referred to as a Capillary Network Function (CNF). The CNF may for instance
25 be implemented at a network hierarchical level of the SGW, the PGW or another supervising network node. The CNF is intended to handle various tasks related to the capillary network, in particular the CGW, such as configuration and may possibly also to some extent be involved in traffic processing.

The CNF may thus exercise network control of the MTC devices 10A,10B, 10C regarding the choice of CGW 11A, 11B to connect to through explicit instructions submitted to the MTC devices 10A, 10B, 10C, such as an instruction to connect to another CGW than the CGW that an MTC device
5 currently camps on.

In an alternative, the CGWs 11A, 11B exchange information, e.g. across the capillary network, about their respective availability of credentials. In another variant all CGWs 11A, 11B send their respective credential information to the CNF, which in turn distributes the information to the
10 other CGWs connected to the same capillary network. In yet an alternative, the CNF is inherently aware of the credentials that are available in the different CGWs 11A, 11B and distributes this information to the CGWs of the same capillary network. The CNF may have access to this information for instance since it may be involved in the configuring of the CGWs 11A, 11B
15 with the credentials and may also have capability to keep track of the MTC devices 10A, 10B, 10C communicating via the CGWs, thereby keeping track of the credentials currently being used. Either way, the result is that all the CGWs 11A, 11B connected to the same capillary network will be aware of the credentials that are available in all the other CGWs and hence any of the
20 CGWs can determine which CGW an MTC device should select at least partly based on the credentials available at the CGWs, and possible additional criteria, as previously has been described. When determining which CGW to select, CGWs may also take into account information about the MTC devices 10A, 10B, 10C and/or a particular application the respective MTC device is
25 running. The CGW may e.g. derive such information from monitoring of the traffic of the MTC devices, or from information received from the MTC devices.

In case one of the CGWs 11A, 11B to which an MTC device currently is connected sends an instruction to the MTC device to select a certain
30 alternative CGW, the current CGW could send the instruction e.g. in the form of a field in a RPL message, as a link layer message, in a Constrained Application Protocol (CoAP) message, in an Open Mobile Alliance

Lightweight M2M (OMA-LWM2M) message or as a parameter in a unicast IPv6 router advertisement.

It is possible to implement the CNF at a dedicated Operations & Maintenance (O&M) network node for management of MTC devices, CGWs and/or
5 capillary networks (even though the MTC device data traffic typically would not pass through the O&M network node).

Irrespective of whether the CGW, the CNF or another appropriate network node makes the CGW selection decision on behalf of an MTC device, the network node may, depending on the scenario, have to be provided with the
10 CGWs that are currently reachable for a given MTC device and possibly also other contextual parameters such as the channel quality of the MTC device with respect to different CGWs and/or the type of application the MTC device is running or the communication requirements of this application.

Instead of submitting explicit instructions to the MTC devices 10A, 10B, 10C
15 to connect to a selected CGW 11A, 11B, the EPC network 14 may exercise its control over the selection of a CGW of an MTC device based on credentials according to embodiments of the present invention indirectly through policies/rules. These policies/rules are preferably configured in the MTC device by the previously mentioned O&M entity (not shown in Figure 4),
20 possibly via the CNF/PGW (in this particular example). If the O&M entity or the CNF does not have a direct relation to the MTC devices 10A, 10B, 10C, configuration data may be sent to one or more of the CGWs 11A, 11B to be forwarded to the MTC devices. All the MTC devices 10A, 10B, 10C in the capillary network may be configured with the same policies/rules, but
25 individually adapted policies/rules provides for a more flexible network, e.g. in order to allow different types of MTC devices and/or applications in the same capillary network. One approach for implementing individual policy/rule adaptation without sending individual policy/rule instructions to each and every MTC device in a capillary network is to consider type of MTC
30 device/application during configuration of the policy/rule, i.e. making the type of MTC device/application a contextual parameter and include the

parameter in network policy configuration data. That is, the type of MTC device/application becomes an input parameter to a policy/rule, which affects the outcome of the algorithm defined by the policy/rule.

Figure 5 illustrates the LTE network of Figure 4 implementing the capillary network according to embodiments of the present invention, but with a number of further network nodes implemented as proposed in 3GPP TS 23.682 V11.3.0, "3rd Generation Partnership Project; Technical Specification Group Services and System Aspects; Architecture enhancements to facilitate communications with packet data networks and applications (Release 11)", December 2012, which are generally implemented for handling MTC devices in a cellular network. In the LTE network of Figure 5, a Machine Type Communication InterWorking Function (MTC-IWF) node and a Services Capability Server (SCS) have been added. The previously discussed CNF, which in Figure 4 was exemplified as being implemented at a level of the PGW is in this particular exemplifying embodiment implemented at the SCS level, which SCS is connected to the PGW via the SGi interface, the MTC-IWF via a Tsp interface and to the application server 12 via the Internet or another packet data network, even though the application server 12 could be directly connected to the SCS.

Figure 6a shows a network node 11 according to an embodiment of the present invention. The network node 11 comprises obtaining means 301 adapted to obtain an indication of availability of credentials of a plurality of capillary network gateway nodes being capable of connecting an MTC device to the radio access network. Further, the network node 11 comprises selecting means 302 adapted to select one of the plurality of capillary network gateway nodes via which the MTC device is to be connected to the radio access network based at least in part on the availability of credentials of the plurality of capillary network gateway nodes. The obtaining means 301 and/or the selecting means 302 may comprise a communications interface for receiving and providing information to other devices. The obtaining means 301 may further comprise a local storage for storing obtained data. The obtaining means 301 and selecting means 302, may (in analogy with the description

given in connection to Figure 1) be implemented by a processor embodied in the form of one or more microprocessors arranged to execute a computer program downloaded to a suitable storage medium associated with the microprocessor, such as a RAM, a Flash memory or a hard disk drive. The
5 obtaining means 301 and selecting means 302 may comprise one or more transmitters and/or receivers and/or transceivers, comprising analogue and digital components and a suitable number of antennae for radio communication.

Figure 6b shows an MTC device 10 according to an embodiment of the
10 present invention. The MTC device 10 comprises obtaining means 401 adapted to obtain an indication of availability of credentials of a plurality of capillary network gateway nodes being capable of connecting the MTC device to the radio access network. Further, the MTC device 10 comprises selecting
15 means 402 adapted to select one of the plurality of capillary network gateway nodes via which the MTC device is to be connected to the radio access network based at least in part on the availability of credentials of the plurality of capillary network gateway nodes. The obtaining means 401 and/or the
20 selecting means 402 may comprise a communications interface for receiving and providing information to other devices. The obtaining means 401 may further comprise a local storage for storing obtained data. The obtaining
25 means 401 and selecting means 402, may (in analogy with the description given in connection to Figure 1) be implemented by a processor embodied in the form of one or more microprocessors arranged to execute a computer program downloaded to a suitable storage medium associated with the
30 microprocessor, such as a RAM, a Flash memory or a hard disk drive. The obtaining means 401 and selecting means 402 may comprise one or more transmitters and/or receivers and/or transceivers, comprising analogue and digital components and a suitable number of antennae for radio communication.

30 The invention has mainly been described above with reference to a few embodiments. However, as is readily appreciated by a person skilled in the

art, other embodiments than the ones disclosed above are equally possible within the scope of the invention, as defined by the appended patent claims.

CLAIMS

1. A method of selecting a capillary network gateway node for connecting a Machine Type Communication, MTC, device to a radio access network, comprising:
 - 5 obtaining (S101) an indication of availability of credentials of a plurality of capillary network gateway nodes being capable of connecting the MTC device to the radio access network; and
selecting (S102) one of the plurality of capillary network gateway nodes via which the MTC device is to be connected to the radio access network
10 based at least in part on the availability of credentials of the plurality of capillary network gateway nodes.
2. The method of claim 1 comprising:
 - 15 comparing (S101b) the number of credentials available at each of the plurality of capillary network gateway nodes with a credential threshold value; and
selecting (S102b) one of the plurality of capillary network gateway nodes for which the number of credentials is equal to or exceeds the credential threshold value.
3. The method of claim 2, wherein the credential threshold value is set to
20 correspond to a number of credentials enough to serve two MTC devices.
4. The method of any one of claims 1-3, wherein the step of selecting comprises:
 - selecting the one of the plurality of capillary network gateway nodes having the greatest number of credentials available.
- 25 5. The method of any one of the preceding claims, wherein the step of selecting comprises:
 - selecting (S102a) the one of the plurality capillary network gateway nodes if an additional criterion is satisfied.

6. The method of claim 5, wherein in case the additional criterion is not satisfied for said one of the plurality of capillary network gateway nodes, another one of the plurality of capillary network gateway nodes having a greatest number of credentials available, and satisfying the additional
5 criterion, is selected.
7. The method of claims 5 or 6, the additional criteria comprising one or more of: quality of channel between the MTC device and the respective capillary network gateway node, required transmission power of the MTC device when transmitting to the respective capillary network gateway node,
10 battery/energy status of the MTC device, physical location of the MTC device, distance from the MTC device to the respective capillary network gateway node, capability of the MTC device to reach the respective capillary network gateway node and capillary network technology used by the respective capillary network gateway node.
- 15 8. The method of any one of the preceding claims, wherein the step of obtaining an indication of availability of credentials comprises:
receiving, at the MTC device, the indication of availability of credentials from one or more of the plurality of capillary network gateway nodes.
9. The method of any one of claims 1-7, wherein the step of obtaining an
20 indication of availability of credentials comprises:
receiving, at at least one of the plurality of capillary network gateway nodes, the indication of availability of credentials.
10. The method of any one of the preceding claims, wherein the step of obtaining an indication of availability of credentials comprises:
25 receiving the indication of availability of credentials at a network node being any one selected from a group comprising a Serving Gateway, SGW, a Packet Data Network Gateway, PGW, and an Evolved NodeB, eNodeB, in a Long Term Evolution, LTE, network, any one selected from a group comprising a Serving General Packet Radio Service Support Node, SGSN, a
30 Gateway General Packet Radio Service Support Node, GGSN, a Radio

Network Controller, RNC, and a NodeB, in a Universal Mobile Telecommunication System, UMTS, network, any one selected from a group comprising a Serving General Packet Radio Service Support Node, SGSN, a Gateway General Packet Radio Service Support Node, GGSN, a Base Station
5 Controller, BSC, and a Base Transceiver Station, BTS, in a Global System for Mobile communications, GSM, network, a Services Capability Server, SCS, and an Operation and Maintenance node.

11. A network node (11A,11B) configured to select a capillary network gateway node for connecting a Machine Type Communication, MTC, device
10 (10A, 10B, 10C) to a radio access network, comprising a processing unit (15) and a memory (16), said memory containing instructions executable by said processing unit, whereby said network node is operative to:

obtain an indication of availability of credentials of a plurality of capillary network gateway nodes (11A,11B) being capable of connecting the
15 MTC device to the radio access network; and

select one of the plurality of capillary network gateway nodes via which the MTC device is to be connected to the radio access network based at least in part on the availability of credentials of the plurality of capillary network gateway nodes.

20 12. The network node (11A, 11B) of claim 11, further being operative to:
compare the number of credentials available at each of the plurality of capillary network gateway nodes (11A, 11B) with a credential threshold value;
and

select one of the plurality of capillary network gateway nodes for which
25 the number of credentials is equal to or exceeds the credential threshold value.

13. The network node (11A, 11B) of claim 12, wherein the credential threshold value is set to correspond to a number of credentials enough to serve two MTC devices (10A, 10B, 10C).

14. The network node (11A, 11B) of any one of claims 11-13, further being operative to:
- select the one of the plurality of capillary network gateway nodes (11A, 11B) having the greatest number of credentials available.
- 5 15. The network node (11A, 11B) of any one of claims 11-14, further being operative to:
- select the one of the plurality capillary network gateway nodes (11A, 11B) if an additional criterion is satisfied.
16. The network node (11A, 11B) of claim 15, further being operative to, in
10 case the additional criterion is not satisfied for said one of the plurality of capillary network gateway nodes (11A, 11B), connect the MTC device (10A, 10B, 10C) to another one of the plurality of capillary network gateway nodes having a greatest number of credentials available, and satisfying the additional criterion.
- 15 17. The network node (11A, 11B) of any one of claims 11-16, said network node being any one selected from a group comprising a Serving Gateway, SGW, a Packet Data Network Gateway, PGW, and an Evolved NodeB, eNodeB, in a Long Term Evolution, LTE, network, any one selected from a group comprising a Serving General Packet Radio Service Support Node,
20 SGSN, a Gateway General Packet Radio Service Support Node, GGSN, a Radio Network Controller, RNC, and a NodeB, in a Universal Mobile Telecommunication System, UMTS, network, any one selected from a group comprising a Serving General Packet Radio Service Support Node, SGSN, a Gateway General Packet Radio Service Support Node, GGSN, a Base Station
25 Controller, BSC, and a Base Transceiver Station, BTS, in a Global System for Mobile communications, GSM, network, a Services Capability Server, SCS, and an Operation and Maintenance node.
18. The network node (11A, 11B) of any one of claims 11-16, comprising any one or more of said plurality of capillary network gateway nodes.

19. The network node (11A, 11B) of claim 18, the capillary network gateway nodes being any one selected from a group comprising a mobile phone, a personal digital assistant, PDA, a smart phone, a tablet, a laptop, a media player, a Bluetooth Access Point, an IEEE 802.15.4 based Access Point, AP, a
5 Wi-Fi AP, and any other short range radio communication technology AP.

20. A Machine Type Communication, MTC, device (10A, 10B, 10C) configured to select a capillary network gateway node for connecting to a radio access network, comprising a processing unit and a memory, said memory containing instructions executable by said processing unit, whereby
10 said MTC device is operative to:

obtain an indication of availability of credentials of a plurality of capillary network gateway nodes (11A,11B) being capable of connecting the MTC device to the radio access network; and

15 select one of the plurality of capillary network gateway nodes via which the MTC device is to be connected to the radio access network based at least in part on the availability of credentials of the plurality of capillary network gateway nodes.

21. A computer program (17) comprising computer-executable instructions for causing a device (11A, 11B) to perform steps recited in any one of claims 1-
20 10 when the computer-executable instructions are executed on a processing unit (15) included in the device.

22. A computer program product comprising a computer readable medium (16), the computer readable medium having the computer program (17) according to claim 21 embodied therein.

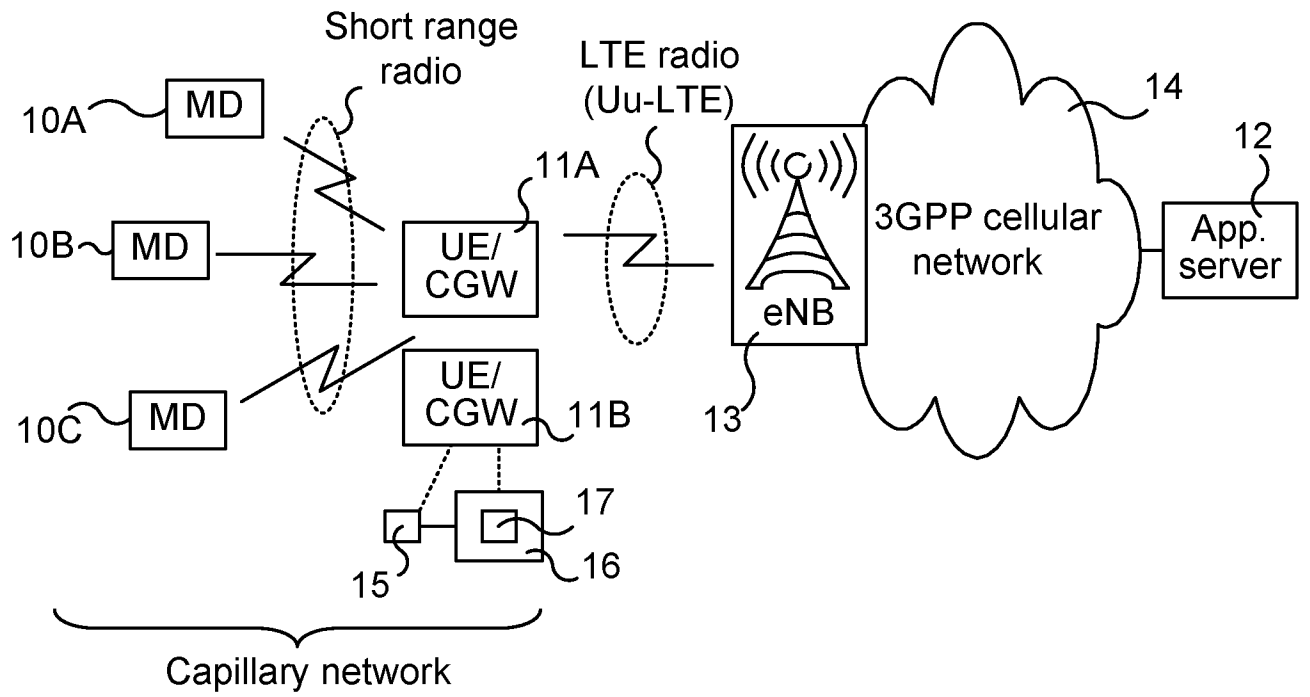


Fig. 1

2/7

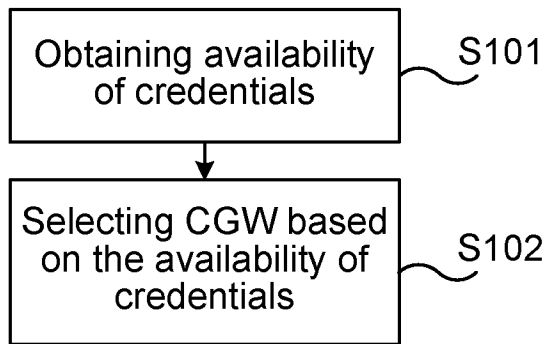


Fig. 2A

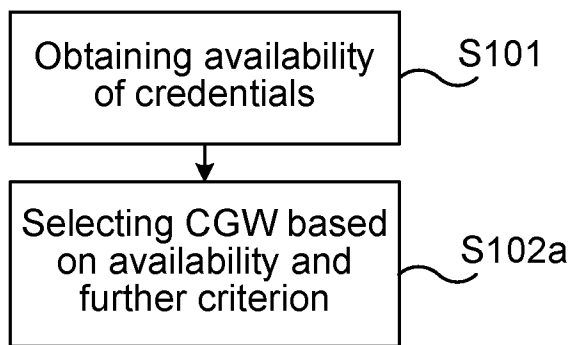


Fig. 2B

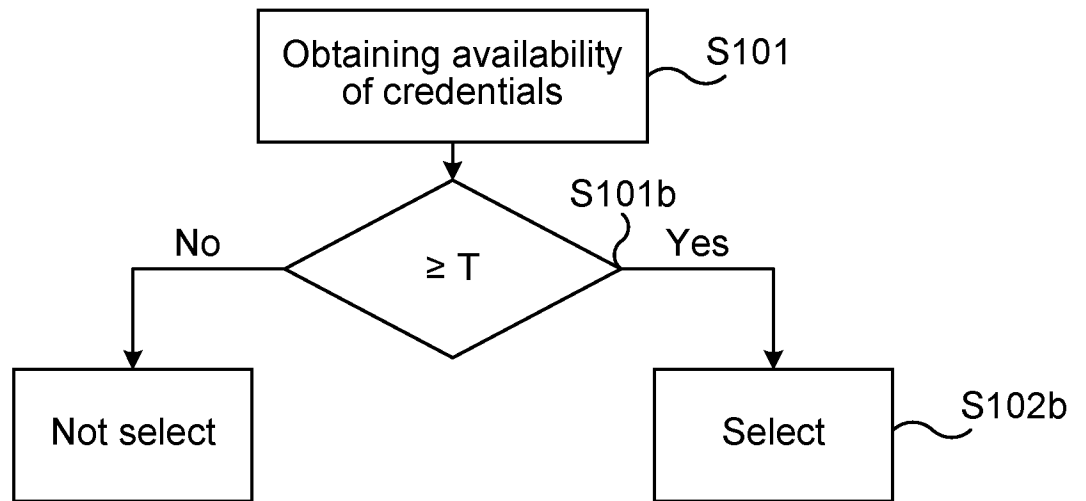


Fig. 2C

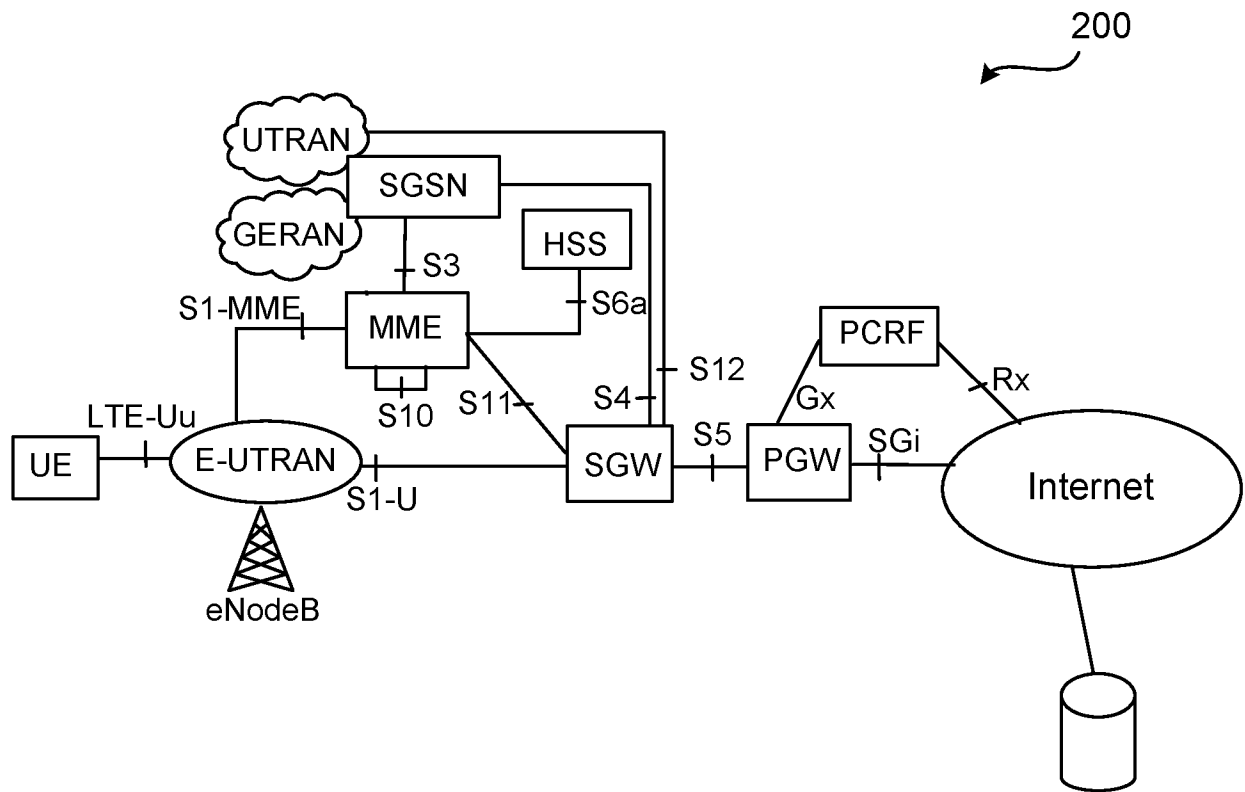


Fig. 3

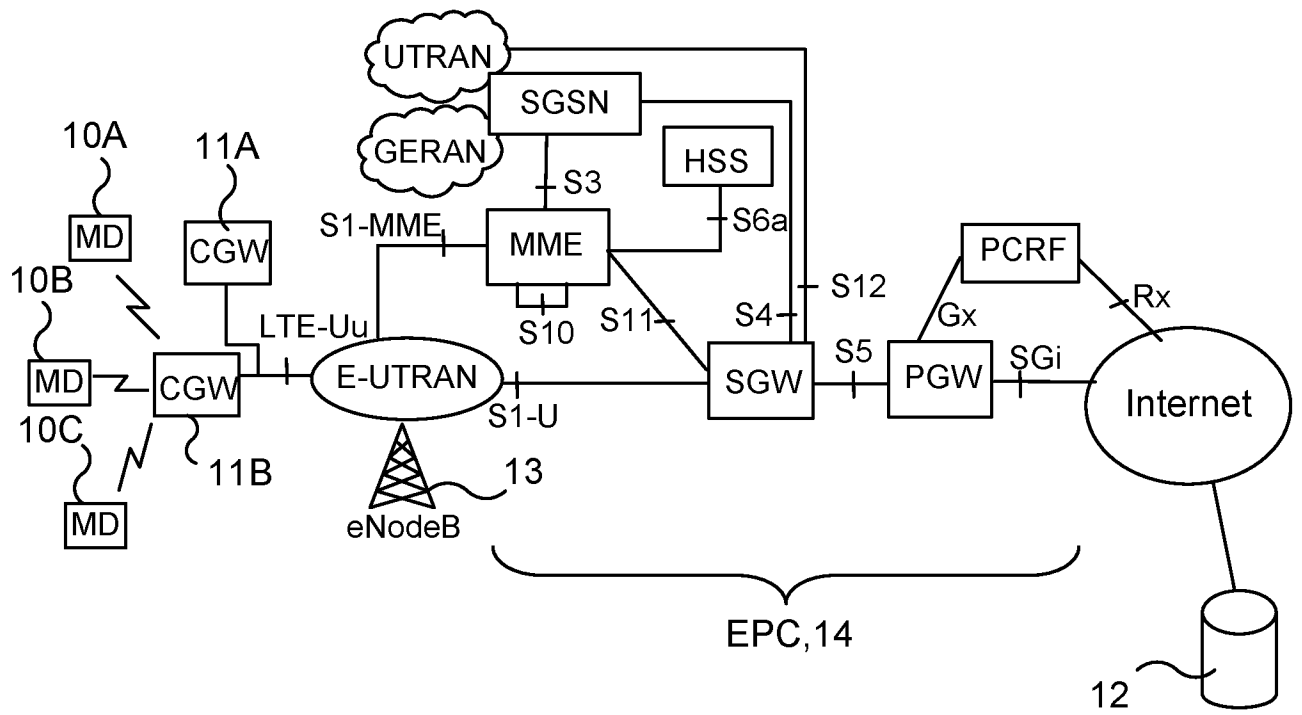


Fig. 4

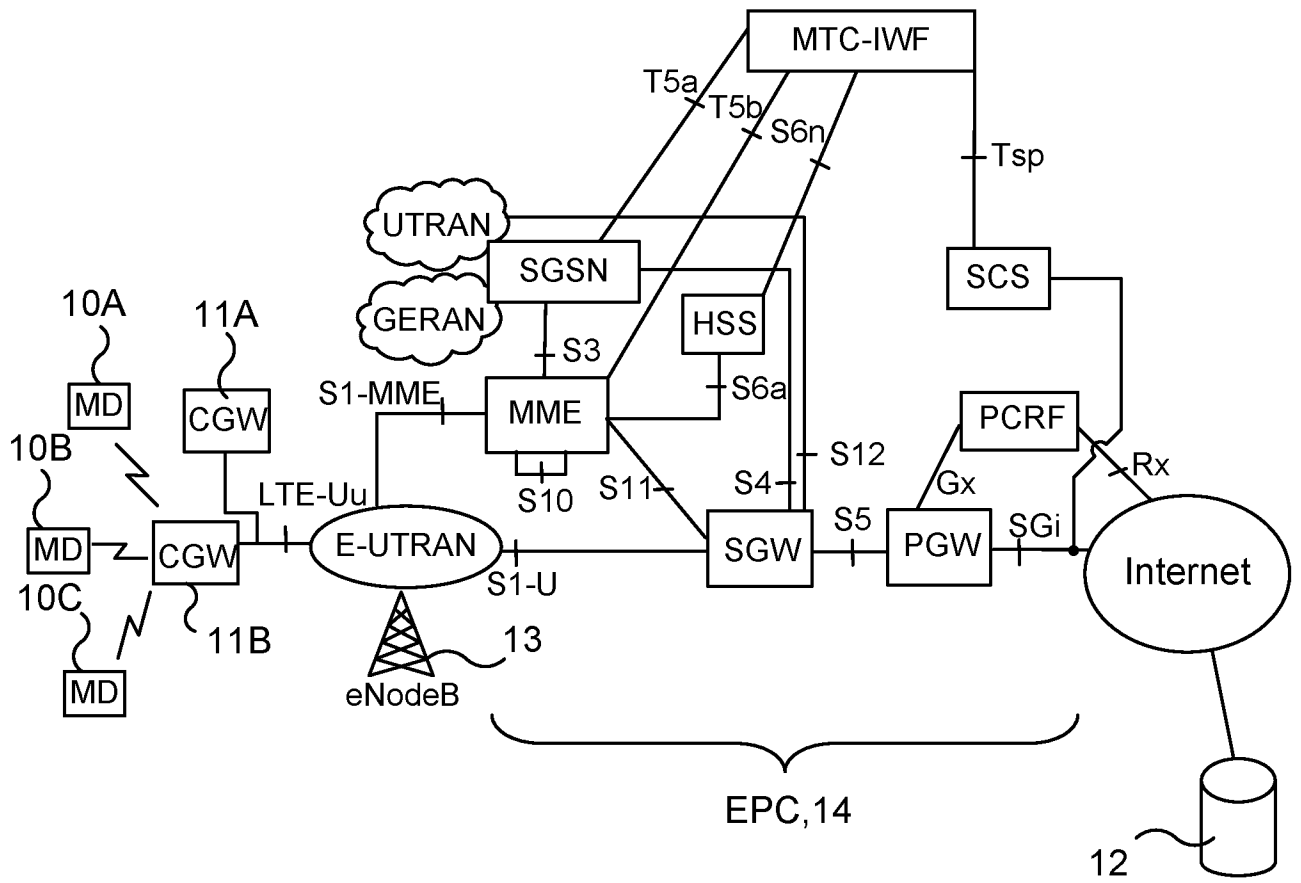


Fig. 5

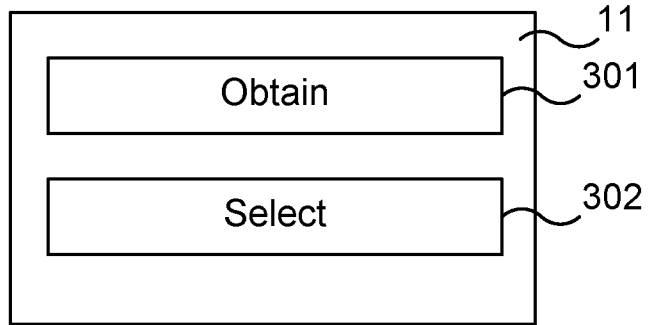


Fig. 6A

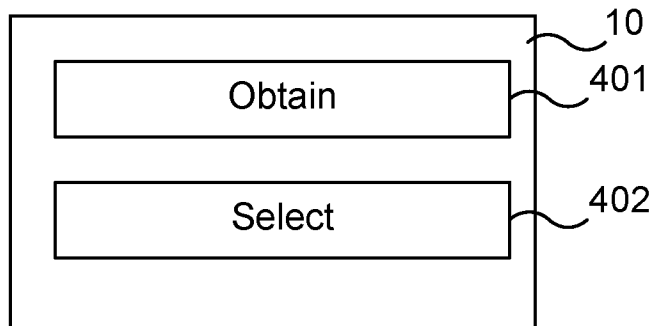


Fig. 6B

INTERNATIONAL SEARCH REPORT

International application No PCT/SE2014/050214

A. CLASSIFICATION OF SUBJECT MATTER INV. H04W48/20 ADD.		
According to International Patent Classification (IPC) or to both national classification and IPC		
B. FIELDS SEARCHED Minimum documentation searched (classification system followed by classification symbols) H04W		
Documentation searched other than minimum documentation to the extent that such documents are included in the fields searched		
Electronic data base consulted during the international search (name of data base and, where practicable, search terms used) EPO-Internal		
C. DOCUMENTS CONSIDERED TO BE RELEVANT		
Category*	Citation of document, with indication, where appropriate, of the relevant passages	Relevant to claim No.
X	WO 2013/157577 A1 (SHARP KK [JP]) 24 October 2013 (2013-10-24) paragraph [0090] - paragraph [0095] -----	1-22
X	WO 2011/112683 A1 (INTERDIGITAL PATENT HOLDINGS [US]; PINHEIRO ANA LUCIA [US]; DIGIROLAMO) 15 September 2011 (2011-09-15) page 1, paragraph 2 - page 2, paragraph 5 page 16, paragraph 75 page 18, paragraph 81 page 20, paragraph 85 page 37, paragraph 131 - page 39, paragraph 135 ----- -/--	1-22
<input checked="" type="checkbox"/> Further documents are listed in the continuation of Box C. <input checked="" type="checkbox"/> See patent family annex.		
* Special categories of cited documents :		
"A" document defining the general state of the art which is not considered to be of particular relevance "E" earlier application or patent but published on or after the international filing date "L" document which may throw doubts on priority claim(s) or which is cited to establish the publication date of another citation or other special reason (as specified) "O" document referring to an oral disclosure, use, exhibition or other means "P" document published prior to the international filing date but later than the priority date claimed	"T" later document published after the international filing date or priority date and not in conflict with the application but cited to understand the principle or theory underlying the invention "X" document of particular relevance; the claimed invention cannot be considered novel or cannot be considered to involve an inventive step when the document is taken alone "Y" document of particular relevance; the claimed invention cannot be considered to involve an inventive step when the document is combined with one or more other such documents, such combination being obvious to a person skilled in the art "&" document member of the same patent family	
Date of the actual completion of the international search	Date of mailing of the international search report	
11 December 2014	17/12/2014	
Name and mailing address of the ISA/ European Patent Office, P.B. 5818 Patentlaan 2 NL - 2280 HV Rijswijk Tel. (+31-70) 340-2040, Fax: (+31-70) 340-3016	Authorized officer Bocking, Philip	

INTERNATIONAL SEARCH REPORT

International application No PCT/SE2014/050214

C(Continuation). DOCUMENTS CONSIDERED TO BE RELEVANT

Category*	Citation of document, with indication, where appropriate, of the relevant passages	Relevant to claim No.
A	<p>EP 2 309 790 A2 (RESEARCH IN MOTION LTD [CA]; ONTARIO INC 2012244 [CA] RESEARCH IN MOTI) 13 April 2011 (2011-04-13) page 2, paragraph 5 - page 3, paragraph 18 page 4, paragraph 43 - page 5, paragraph 47 page 5, paragraph 53 - page 6, paragraph 55</p> <p align="center">-----</p>	1-22

INTERNATIONAL SEARCH REPORT

Information on patent family members

International application No PCT/SE2014/050214

Patent document cited in search report		Publication date		Patent family member(s)	Publication date
WO 2013157577	A1	24-10-2013	JP	2013223232 A	28-10-2013
			WO	2013157577 A1	24-10-2013

WO 2011112683	A1	15-09-2011	AU	2011224415 A1	04-10-2012
			CN	102907068 A	30-01-2013
			EP	2545694 A1	16-01-2013
			JP	5589098 B2	10-09-2014
			JP	2013522965 A	13-06-2013
			KR	20130004497 A	10-01-2013
			US	2013188515 A1	25-07-2013
			WO	2011112683 A1	15-09-2011

EP 2309790	A2	13-04-2011	CA	2717327 A1	11-04-2011
			EP	2309790 A2	13-04-2011
			US	2011088078 A1	14-04-2011
			US	2014148131 A1	29-05-2014
