

(12) INTERNATIONAL APPLICATION PUBLISHED UNDER THE PATENT COOPERATION TREATY (PCT)

(19) World Intellectual Property Organization
International Bureau



(43) International Publication Date
14 December 2000 (14.12.2000)

PCT

(10) International Publication Number
WO 00/74521 A1

(51) International Patent Classification⁷: A45D 32/22

(21) International Application Number: PCT/US00/15644

(22) International Filing Date: 7 June 2000 (07.06.2000)

(25) Filing Language: English

(26) Publication Language: English

(30) Priority Data:
09/327,637 8 June 1999 (08.06.1999) US

(71) Applicant and

(72) Inventor: CHANG, Charles [US/US]; 55 Westview Road, Wayne, NJ 07404 (US).

(74) Agent: JOEL, Richard, A.; Joel & Joel, LLP, 496 Kinderkamack Road, Oradell, NJ 07649 (US).

(81) Designated States (national): AE, AL, AM, AT, AU, AZ, BA, BB, BG, BR, BY, CA, CH, CN, CR, CU, CZ, DE, DK,

DM, EE, ES, FI, GB, GD, GE, GH, GM, HR, HU, ID, IL, IN, IS, JP, KE, KG, KP, KR, KZ, LC, LK, LR, LS, LT, LU, LV, MA, MD, MG, MK, MN, MW, MX, NO, NZ, PL, PT, RO, RU, SD, SE, SG, SI, SK, SL, TJ, TM, TR, TT, TZ, UA, UG, US, UZ, VN, YU, ZA, ZW.

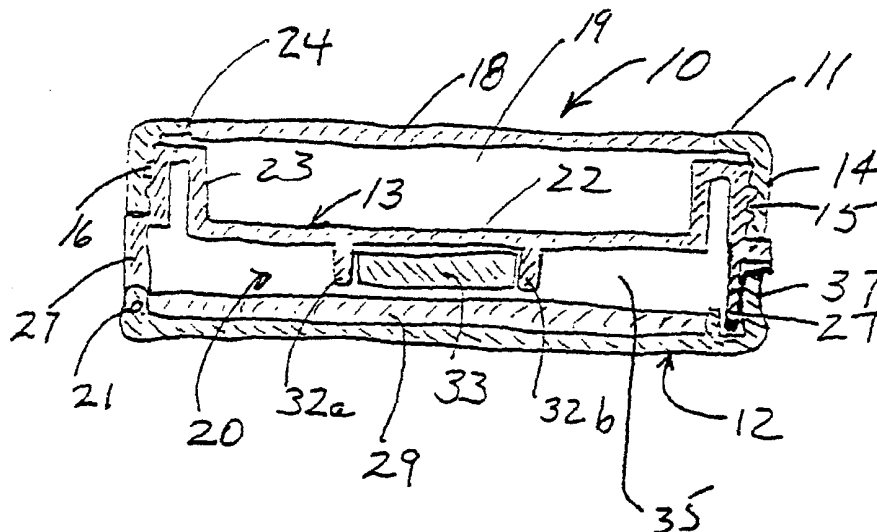
(84) Designated States (regional): ARIPO patent (GH, GM, KE, LS, MW, MZ, SD, SL, SZ, TZ, UG, ZW), Eurasian patent (AM, AZ, BY, KG, KZ, MD, RU, TJ, TM), European patent (AT, BE, CH, CY, DE, DK, ES, FI, FR, GB, GR, IE, IT, LU, MC, NL, PT, SE), OAPI patent (BF, BJ, CF, CG, CI, CM, GA, GN, GW, ML, MR, NE, SN, TD, TG).

Published:

- With international search report.
- Before the expiration of the time limit for amending the claims and to be republished in the event of receipt of amendments.

For two-letter codes and other abbreviations, refer to the "Guidance Notes on Codes and Abbreviations" appearing at the beginning of each regular issue of the PCT Gazette.

(54) Title: COSMETIC JAR AND APPLICATOR



(57) Abstract: A cosmetic jar, and storage device (10) (50) comprises a substantially cylindrical body having a first recess (19) (53) for holding cosmetic, and a second recess (20) (54) for holding an applicator (33, 65). The recesses (19) (20) (53) (54) are separated by a transverse member (13) (55) into individual compartments (19) (20) (53) (54). A pin hinged base (12) (42) maintains the applicator (33) (65) in the lower compartment (20) (54). The base (12) (42) may be swung completely open to facilitate viewing with an internally mounted mirror (29) (64). The base (12) (42), in alternate embodiments, the cap (11) (51) are hinged on one side of the device (10) (50) while a recessed portion (58) (59) on the other side facilitates opening of the force fit base (12) (42), and cap (11) (51).



WO 00/74521 A1

COSMETIC JAR AND APPLICATOR**DETAILED DESCRIPTION OF THE INVENTION**

Referring now to the drawings, this invention is an improvement over the dual pot cosmetic jars shown in patents 5,669,400 and 5,709,232. In the former patent namely, 5,669,400, the bottom base telescopes into an open position while patent 5,709,232 discloses a base coupled to the pot with a living hinge. Neither patent discloses the mounting of a full mirror on the interior base surface. Reference may be made to these patents to review the respective constructions.

FIG. 1 discloses a dual pot cosmetic jar 10 having a top cover 11 and a base cover 12 separated by a transverse member 13. The top cover 11 includes downwardly extending peripheral walls 14 having internal threads 15 thereon. The threads 15 engage threads 16 on the solid transverse member 13 thus securing the cover 11 in place. A window 18 may be mounted in the cover 11 so that product stored in the upper compartment 19 is visible. The upper compartment 19 is separated from the lower or base compartment 20 by the transverse member 13. The lower compartment 20 is larger than the upper compartment 19.

As shown in FIG. 1, the transverse member 13 comprises a central base portion 22, an upwardly extending portion 23 at the periphery of the base portion 22 extending to a transverse portion 24 which is parallel to the base portion 22 and a downwardly extending wall 27 having an outward protrusion 25 to engage the cover 11. A pin hinge 21 is mounted to the transverse member 13 at the one end and the base cover 12 at the other end. The outer walls of the cover 11, transverse member 13, and the base 12 are flush mounted to provide a smooth exterior surface, which will not snag within a pocketbook.

The base 12 is mounted to the member 27 with a pin hinge 21 at one end to swing completely out of the way. A mirror 29 is mounted along the interior surface 31 to be fully visible when the base is swung openly for view. This operation is best seen in FIG. 2.

The transverse member includes downwardly extending ribs 32a, 32b which hold a brush or applicator 33 within the lower compartment 20. Alternatively the ribs can be removed to leave open

space, see FIG. 3.

The bottom or base cover pivots completely as shown in FIG. 2 about pin 21. The mirror 29 is mounted to the base 12 and is readily visible when the base is pivoted into an open position.

FIG. 3 shows an alternate embodiment without the ribs 32a, 32b. It is noted that the outer upwardly extending base walls 37 curve inwardly to frictionally engage the downward portion 27 of the intermediate member 13.

While FIG. 3 is another version of FIG. 1 and the same numbers are used on the drawing. Since there are no ribs to hold a brush/applicator, the open space can be used for a full sized foam pad.

FIG. 4 is another version of FIG. 1 with another cavity 40 on the underside of the top cavity 19. This additional cavity 40 is formed by walls 41 and can be used to hold another product.

FIG. 5 is an alternate embodiment of FIG. 1 with a pin hinged top cover 51 and a pin hinged base cover 42. The jar or compact 50 is divided internally into two compartments 53 and 54 by a transverse member 55. The upper compartment 53 is used for the product while the lower compartment 54 contains an applicator 65. The covers 51 and 42 are hinged by pins 56 and 57 to the wall portion 67. The covers include indented portions 58 and 59 for ease of opening. Detent 68 holds the cover 51 in place while projecting portion 61 engages recess 62 and the outer portion 63 presses against a portion 66 of base 42 to hold the pot closed. The base 42 may be swung completely open to permit viewing of the mirror 64.

While the invention has been explained by a detailed description of certain specific embodiments, it is understood that various modifications and substitutions can be made in any of them within the scope of the appended claims which are intended also to include equivalents of such embodiments.

CLAIMS

What is claimed, is:

1. A cosmetic pot and storage device comprising:

5 a hollow main body portion having an upper compartment for product storage, a large lower compartment and a solid transverse member separating said compartments and having an upwardly extending threaded outer peripheral wall and an end portion on said wall including a recessed aperture:

10 a cover having a top surface and downwardly extending threaded outer walls to engage the threads on the transverse member forming the upper compartment and a clear window mounted in the center of said cover to permit viewing of product:

a hinge comprising a pin; and,

15 a base having a bottom portion having an inner surface with a mirror mounted thereon and a holder extending downwardly from the transverse member within the lower compartment to hold accessories and upwardly extending outer walls forming the lower compartment and having a recessed aperture wherein said walls are hinged at one end to the transverse member with the pin extending through the apertures in the transverse member and the upwardly extending walls of the bottom portion in a flush alignment to permit complete uninhibited opening and access to the lower compartment.

2. A cosmetic pot and storage device comprising:

20 a hollow main body portion having an upper compartment for product storage, a large lower compartment and a solid transverse member separating said compartments and having an upwardly extending threaded outer peripheral wall and an end portion on said wall including a recessed aperture:

a cover having a top surface and downwardly extending threaded outer walls to

engage the threads on the transverse member forming the upper compartment and a clear window mounted in the center of said cover to permit viewing of product

a hinge comprising a pin; and,

5 a base having a bottom portion and upwardly extending outer walls forming the lower compartment and having a recessed aperture wherein said walls are hinged at one end to the transverse member with the pin extending through the apertures in the transverse member and the upwardly extending walls of the bottom portion in a flush alignment to permit complete uninhibited opening and access to the lower compartment. said transverse member comprising a central base portion, an upwardly extending portion at the periphery of
10 the base portion, a transverse portion parallel to the base portion, and a downwardly extending wall having an outward protrusion to engage the cover.

3. A cosmetic pot and storage device comprising:

a hollow main body portion having an upper compartment, a larger lower compartment and a solid transverse member separating said compartments;

15 a cover having a top surface and downwardly extending outer walls wherein said walls are flush hinged at one end to the transverse member forming the upper compartment and having a clear window mounted in the center of said cover.

a base having a bottom portion and upwardly extending outer walls at the lower compartment wherein said walls are flush hinged at one end of the walls to the transverse member to permit uninhibited opening and access to the lower compartment; and
20

wherein the base further includes an inner surface having a mirror mounted.

4. A cosmetic pot and storage device in accordance with Claim 3 wherein:

the transverse member includes a holder extending downwardly from the transverse member to hold accessories.

5. A cosmetic pot and storage device in accordance with Claim 1 further including:
a snap in hinge to secure the base to the transverse member.
6. A cosmetic pot and storage device in accordance with Claim 1 wherein:
the lower compartment comprises an open space for storage purposes.
- 5 7. A cosmetic pot and storage device in accordance with Claim 1 wherein:
the main body portion is round and the cover base and transverse member are
similarly round.
8. A cosmetic pot and storage device in accordance with Claim 1 wherein:
the main body portion, the cover base and transverse member are a predetermined
10 geometrical configuration.
9. A cosmetic pot and storage device in accordance with Claim 1 wherein:
the cover comprises a one-piece construction.
10. A cosmetic pot and storage device in accordance with Claim 4 wherein:
the lower compartment includes a base having an inner surface with a mirror
15 mounted thereon and a holder extending downwardly from the transverse member to hold
accessories.
11. A cosmetic pot and storage device in accordance with Claim 4 further including:
a pin hinge mounted to the transverse member at one end and to the cover at the
other end and a pin hinge mounted to the transverse member at one end and the base cover
20 at the other end to pivotably secure the cover and base respectively to the transverse
member.
12. A cosmetic pot and storage device in accordance with Claim 4 further including:
a snap-in hinge to secure the base and a snap-in hinge to secure the cover to the
transverse member.

13. A cosmetic pot and storage device in accordance with Claim 4 wherein:
the lower compartment comprises an open space for storage purposes.
14. A cosmetic pot and storage device in accordance with Claim 4 wherein:
the main body portion is round and the cover base and transverse member are
5 similarly round.
15. A cosmetic pot and storage device in accordance with Claim 4 wherein:
the main body portion, the cover base and transverse member are a predetermined
compatible geometrical configuration.
16. A cosmetic pot and storage device in accordance with Claim 4 wherein:
10 the cover comprises a one-piece construction.

FIG 1

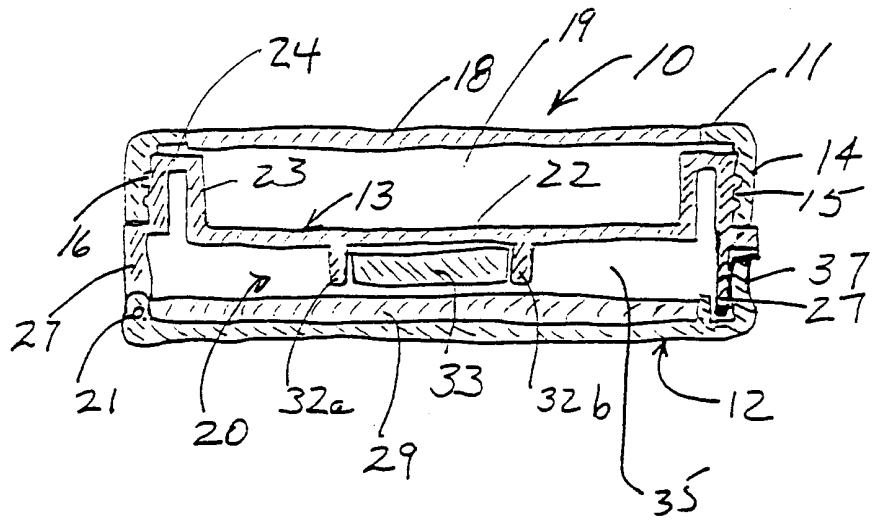


FIG 2

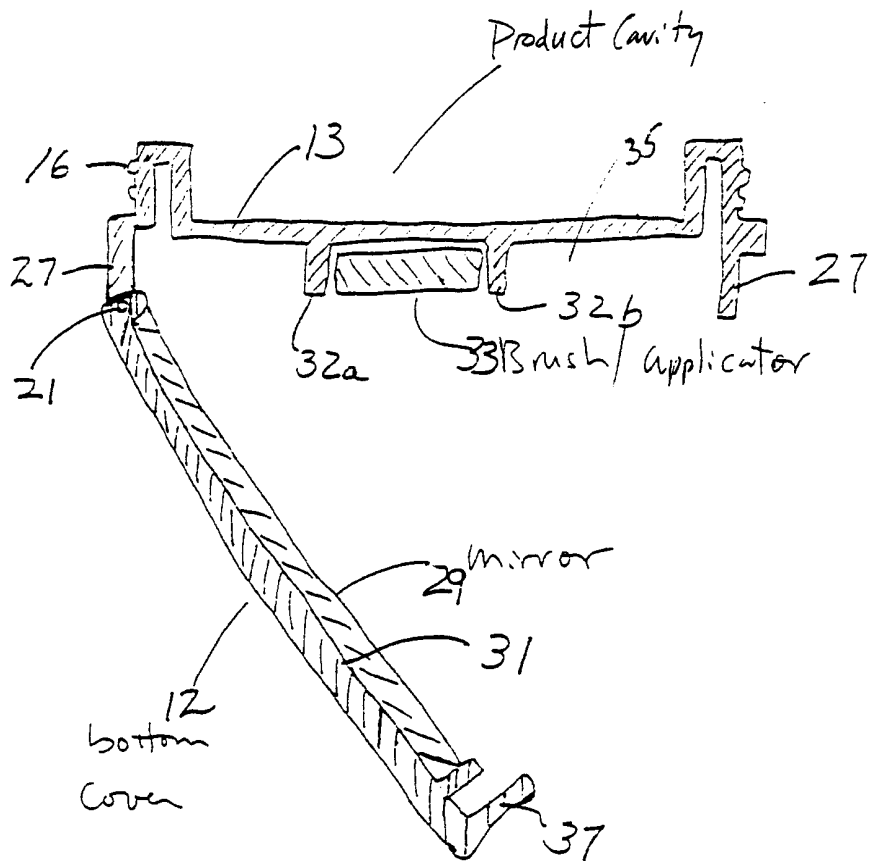


FIG 3

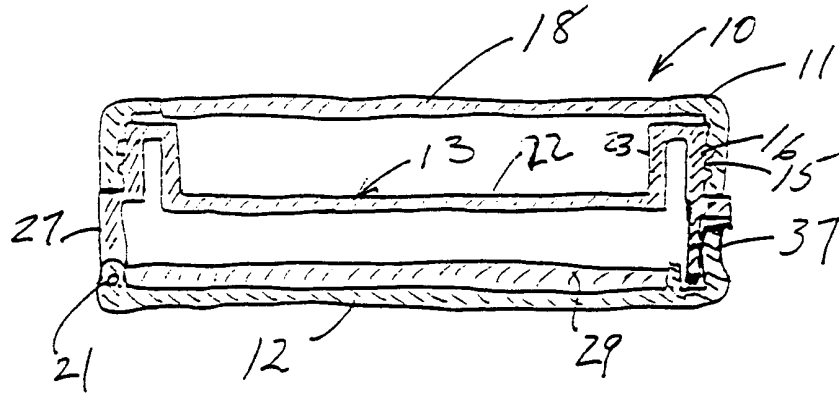


FIG 4

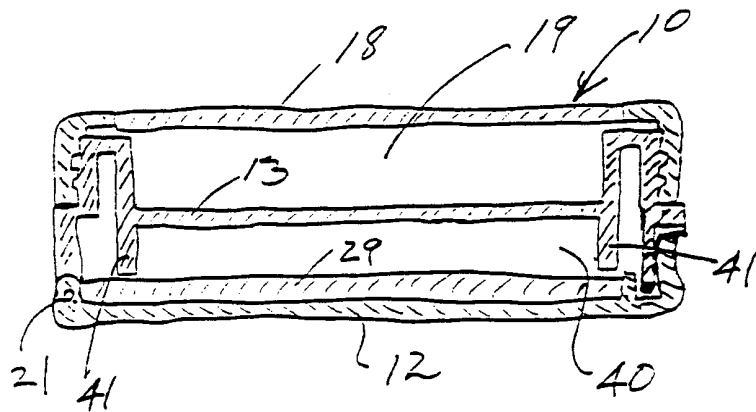
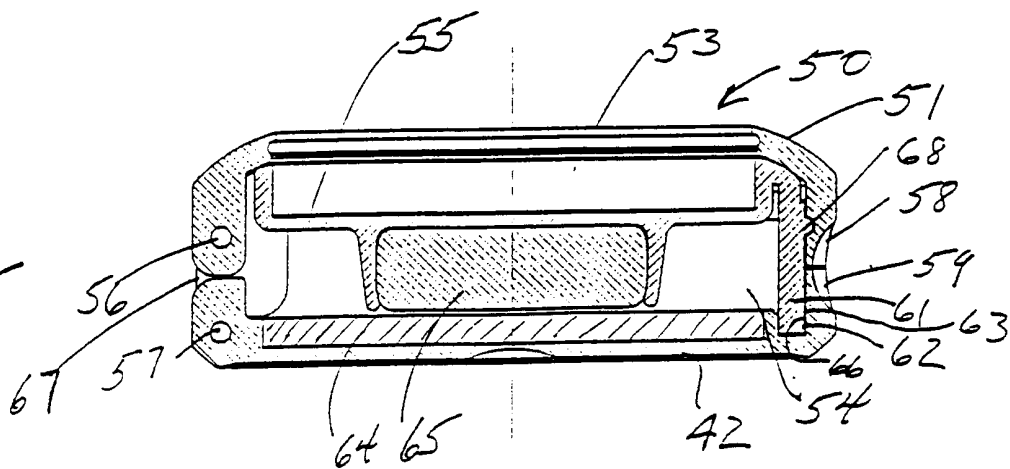


FIG 5



INTERNATIONAL SEARCH REPORT

International application No.
PCT/US00/15644

A. CLASSIFICATION OF SUBJECT MATTER																				
IPC(7) :A45D 32/22 US CL :132/295,300,304 According to International Patent Classification (IPC) or to both national classification and IPC																				
B. FIELDS SEARCHED																				
Minimum documentation searched (classification system followed by classification symbols) U.S. : 132/293-295, 300, 301, 304; 220/504																				
Documentation searched other than minimum documentation to the extent that such documents are included in the fields searched																				
Electronic data base consulted during the international search (name of data base and, where practicable, search terms used)																				
C. DOCUMENTS CONSIDERED TO BE RELEVANT																				
Category*	Citation of document, with indication, where appropriate, of the relevant passages	Relevant to claim No.																		
A	US 1,534,871 A (ROYSTONE) 21 April 1925, Fig. 1.	1-16																		
A	US 1,688,042 A (GAESS) 16 October 1928, entire document.	1-16																		
A	US 5,669,400 A (SHEFFLER et al.) 23 September 1997, entire document.	1-16																		
A	US 5,709,232 A (SHEFFLER et al.) 20 January 1998, entire document.	1-16																		
<input type="checkbox"/> Further documents are listed in the continuation of Box C. <input type="checkbox"/> See patent family annex.																				
<table border="0"> <tr> <td>* Special categories of cited documents:</td> <td>"T"</td> <td>later document published after the international filing date or priority date and not in conflict with the application but cited to understand the principle or theory underlying the invention</td> </tr> <tr> <td>"A" document defining the general state of the art which is not considered to be of particular relevance</td> <td>"X"</td> <td>document of particular relevance; the claimed invention cannot be considered novel or cannot be considered to involve an inventive step when the document is taken alone</td> </tr> <tr> <td>"E" earlier document published on or after the international filing date</td> <td>"Y"</td> <td>document of particular relevance; the claimed invention cannot be considered to involve an inventive step when the document is combined with one or more other such documents, such combination being obvious to a person skilled in the art</td> </tr> <tr> <td>"L" document which may throw doubts on priority claim(s) or which is cited to establish the publication date of another citation or other special reason (as specified)</td> <td>"&"</td> <td>document member of the same patent family</td> </tr> <tr> <td>"O" document referring to an oral disclosure, use, exhibition or other means</td> <td></td> <td></td> </tr> <tr> <td>"P" document published prior to the international filing date but later than the priority date claimed</td> <td></td> <td></td> </tr> </table>			* Special categories of cited documents:	"T"	later document published after the international filing date or priority date and not in conflict with the application but cited to understand the principle or theory underlying the invention	"A" document defining the general state of the art which is not considered to be of particular relevance	"X"	document of particular relevance; the claimed invention cannot be considered novel or cannot be considered to involve an inventive step when the document is taken alone	"E" earlier document published on or after the international filing date	"Y"	document of particular relevance; the claimed invention cannot be considered to involve an inventive step when the document is combined with one or more other such documents, such combination being obvious to a person skilled in the art	"L" document which may throw doubts on priority claim(s) or which is cited to establish the publication date of another citation or other special reason (as specified)	"&"	document member of the same patent family	"O" document referring to an oral disclosure, use, exhibition or other means			"P" document published prior to the international filing date but later than the priority date claimed		
* Special categories of cited documents:	"T"	later document published after the international filing date or priority date and not in conflict with the application but cited to understand the principle or theory underlying the invention																		
"A" document defining the general state of the art which is not considered to be of particular relevance	"X"	document of particular relevance; the claimed invention cannot be considered novel or cannot be considered to involve an inventive step when the document is taken alone																		
"E" earlier document published on or after the international filing date	"Y"	document of particular relevance; the claimed invention cannot be considered to involve an inventive step when the document is combined with one or more other such documents, such combination being obvious to a person skilled in the art																		
"L" document which may throw doubts on priority claim(s) or which is cited to establish the publication date of another citation or other special reason (as specified)	"&"	document member of the same patent family																		
"O" document referring to an oral disclosure, use, exhibition or other means																				
"P" document published prior to the international filing date but later than the priority date claimed																				
Date of the actual completion of the international search 20 SEPTEMBER 2000		Date of mailing of the international search report 11 OCT 2000																		
Name and mailing address of the ISA/US Commissioner of Patents and Trademarks Box PCT Washington, D.C. 20231 Facsimile No. (703) 305-3230		Authorized officer <i>T. Manahan</i> TODD E. MANAHAN Telephone No. (703) 308-2695																		