



US00D601658S

(12) **United States Design Patent**  
**Wang et al.**

(10) **Patent No.:** **US D601,658 S**

(45) **Date of Patent:** **\*\* Oct. 6, 2009**

(54) **SPRINKLER**

(75) Inventors: **Po-Hsiung Wang**, Miao-Li Hsien (TW);  
**Tzu-Meng Wang**, Miao-Li Hsien (TW)

(73) Assignee: **Kwan-Ten Enterprise Co., Ltd.**,  
Miao-Li Hsien (TW)

(\*\*) Term: **14 Years**

(21) Appl. No.: **29/335,692**

(22) Filed: **Apr. 20, 2009**

(51) **LOC (9) Cl.** ..... **23-01**

(52) **U.S. Cl.** ..... **D23/214**

(58) **Field of Classification Search** ..... D23/213,  
D23/214, 217, 221; D8/1; 239/200-206,  
239/DIG. 1, 276

See application file for complete search history.

(56) **References Cited**

**U.S. PATENT DOCUMENTS**

4,648,558	A	*	3/1987	Rabitsch	.....	239/228
D443,914	S	*	6/2001	Heren et al.	.....	D23/214
D466,585	S	*	12/2002	Alkalay	.....	D23/214
D466,972	S	*	12/2002	Clivio	.....	D23/214
D507,818	S	*	7/2005	Wu	.....	D23/214

7,191,958	B1	*	3/2007	Wang	.....	239/200
D562,939	S	*	2/2008	Lo	.....	D23/214
7,389,942	B2	*	6/2008	Kenyon et al.	.....	239/30

\* cited by examiner

*Primary Examiner*—Robin V Webster

(74) *Attorney, Agent, or Firm*—C. G. Mersereau; Nikolai & Mersereau, P.A.

(57) **CLAIM**

The ornamental design for a sprinkler, as shown.

**DESCRIPTION**

FIG. 1 is a front perspective view of a sprinkler showing our new design;

FIG. 2 is a front view thereof;

FIG. 3 is a rear view thereof;

FIG. 4 is a left side view thereof;

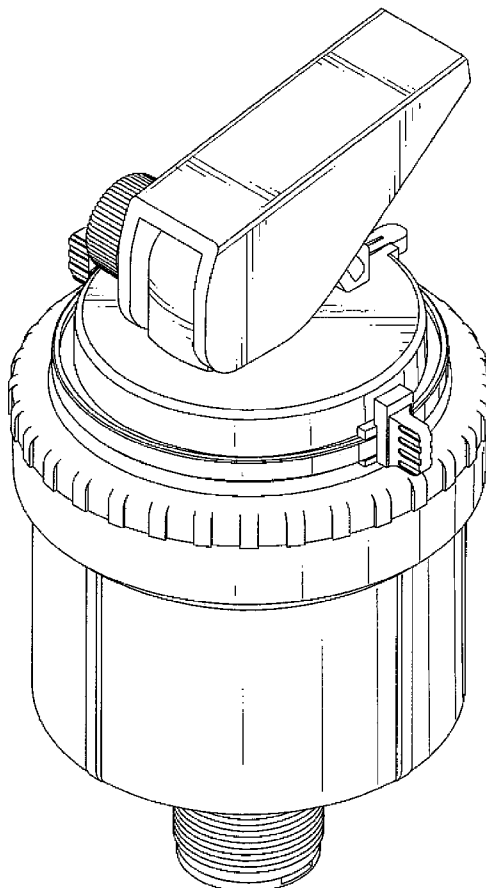
FIG. 5 is a right side view thereof;

FIG. 6 is top view thereof;

FIG. 7 is a bottom view thereof; and,

FIG. 8 is a rear perspective view thereof.

**1 Claim, 8 Drawing Sheets**



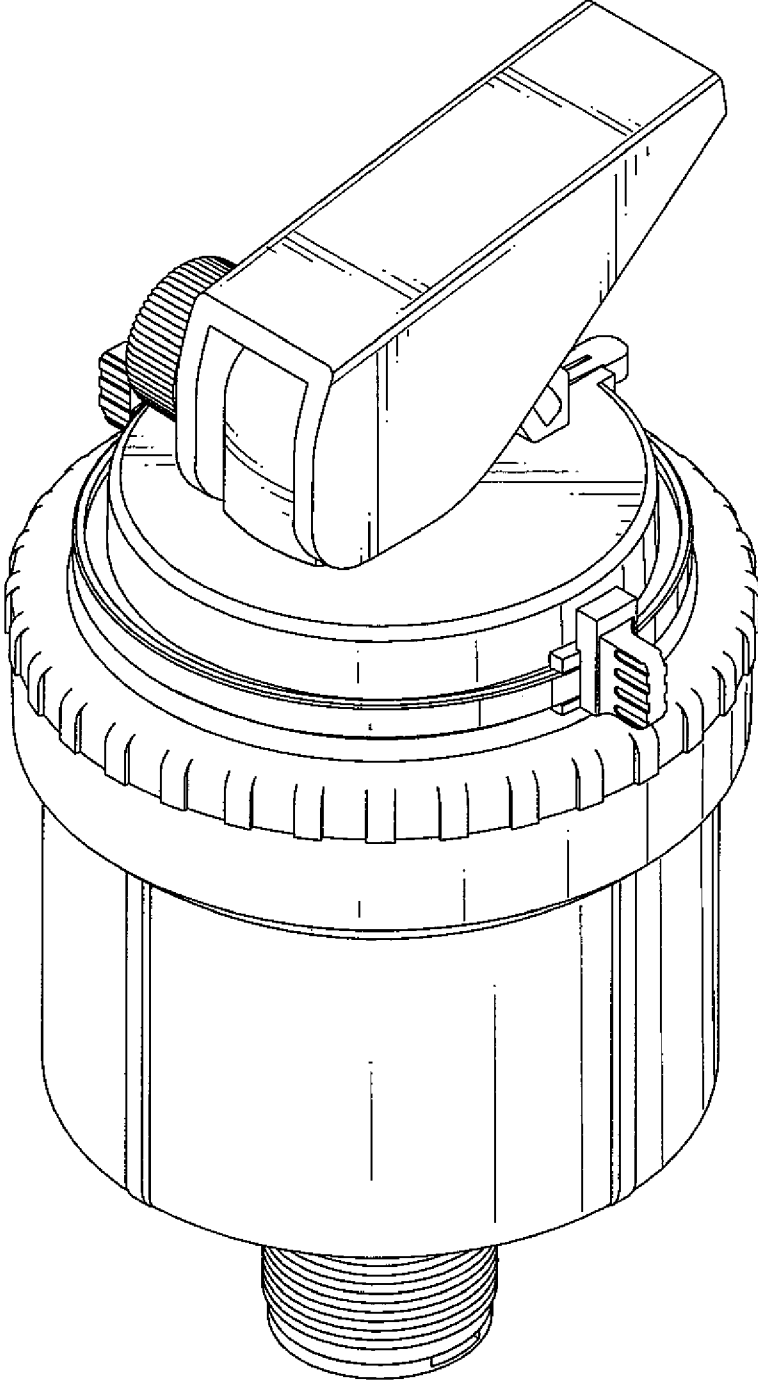


FIG.1

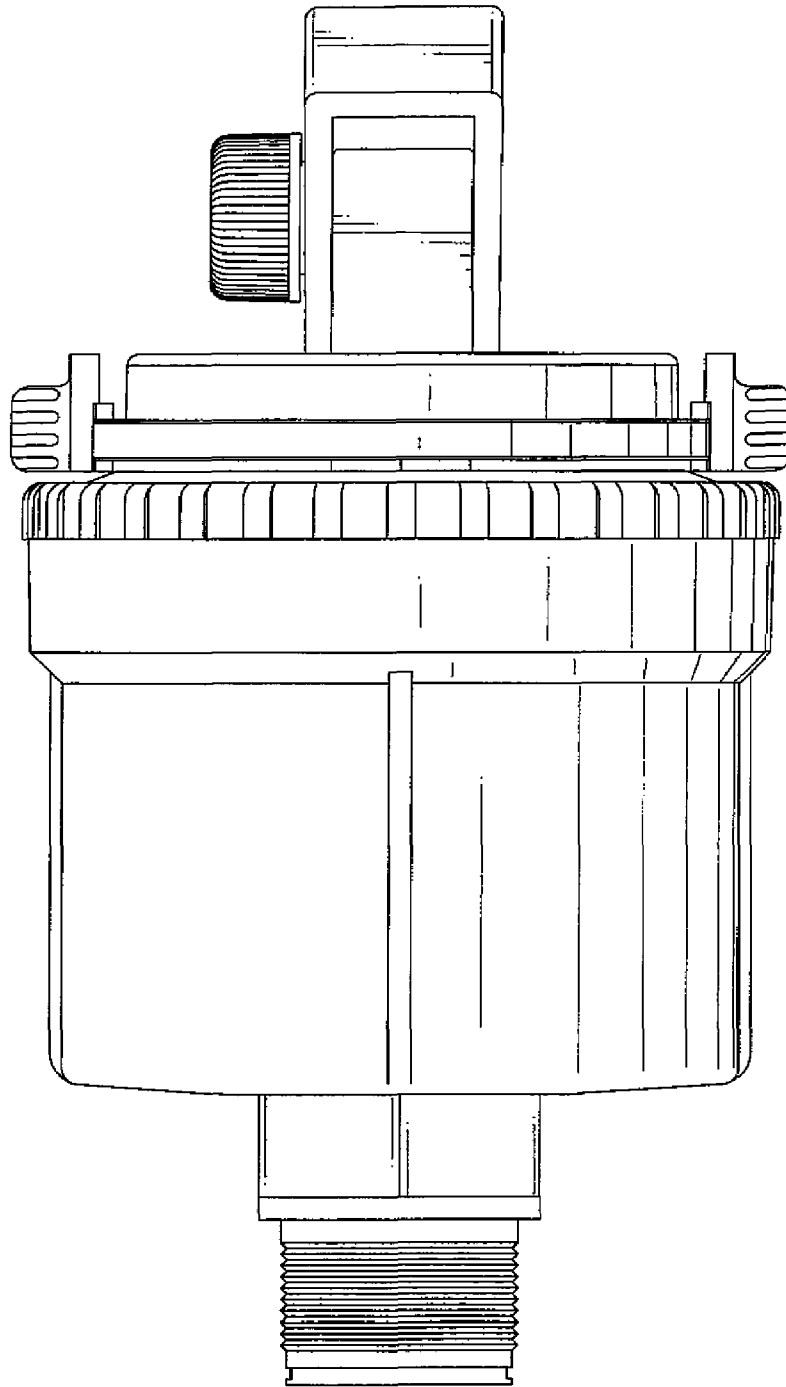


FIG.2

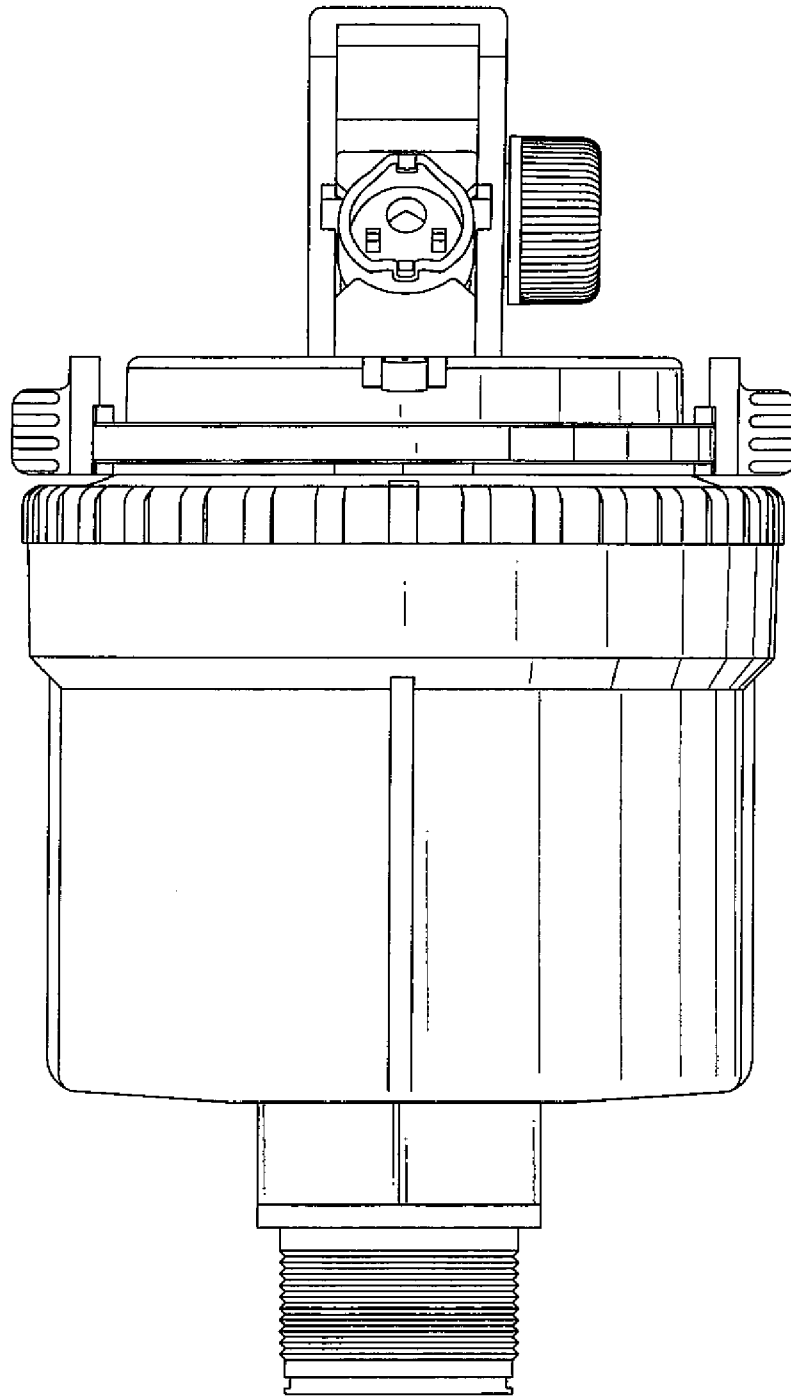


FIG.3

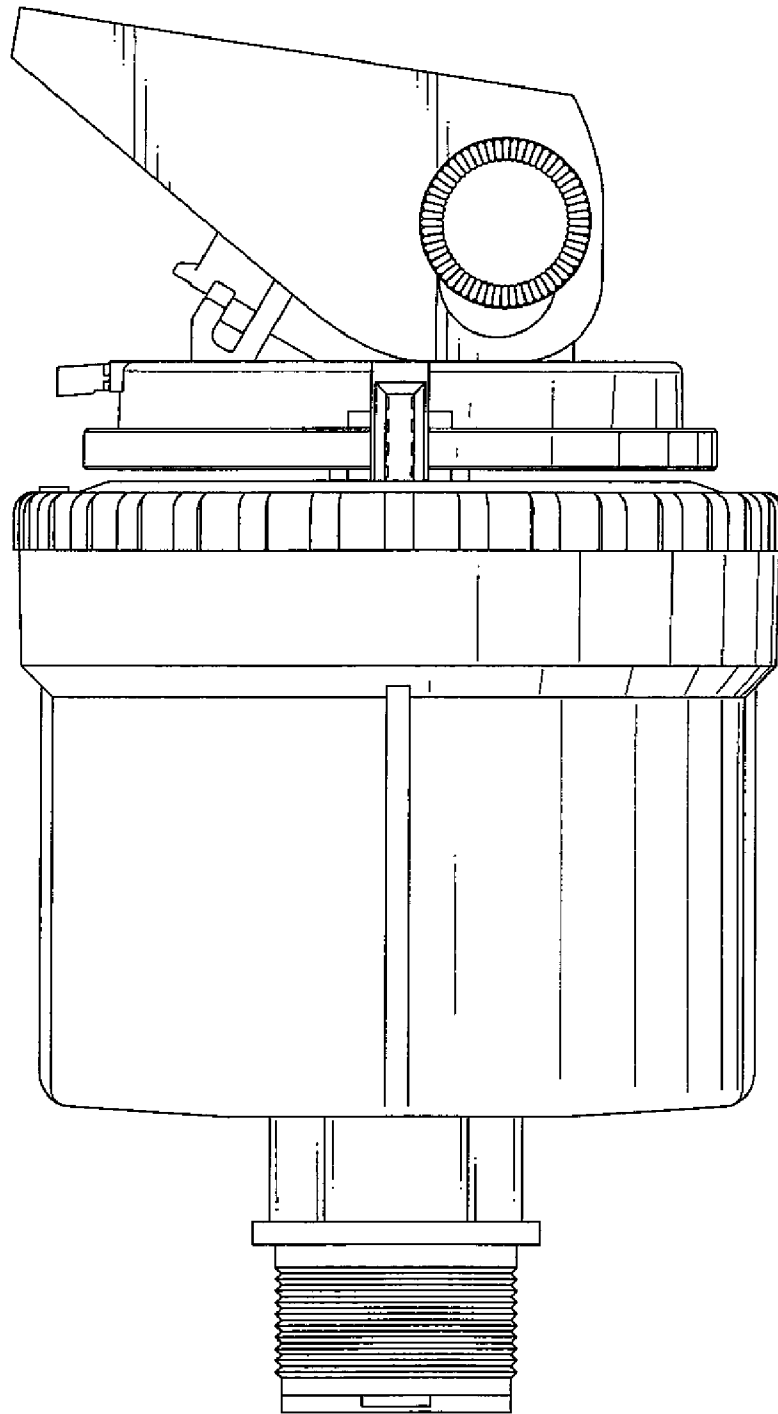


FIG.4

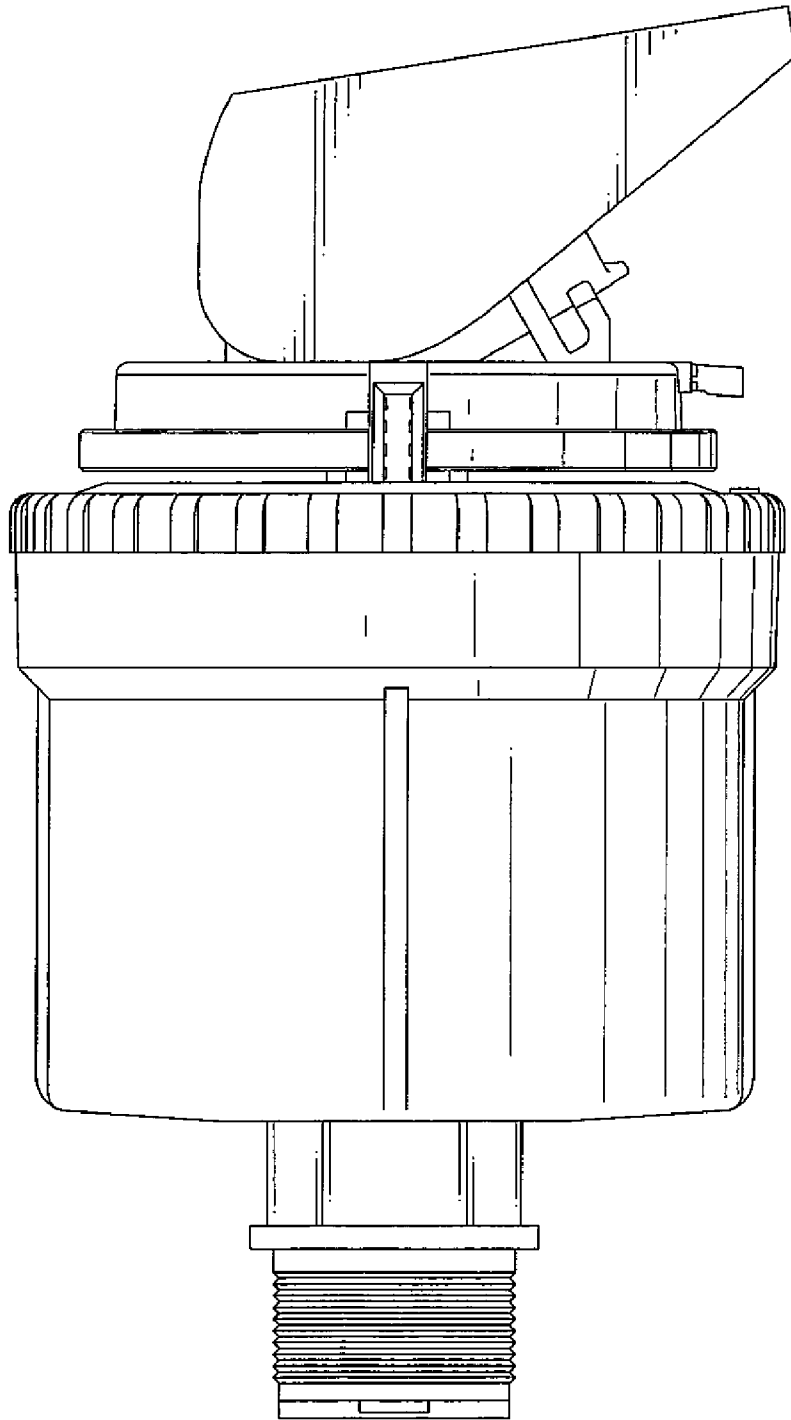


FIG.5

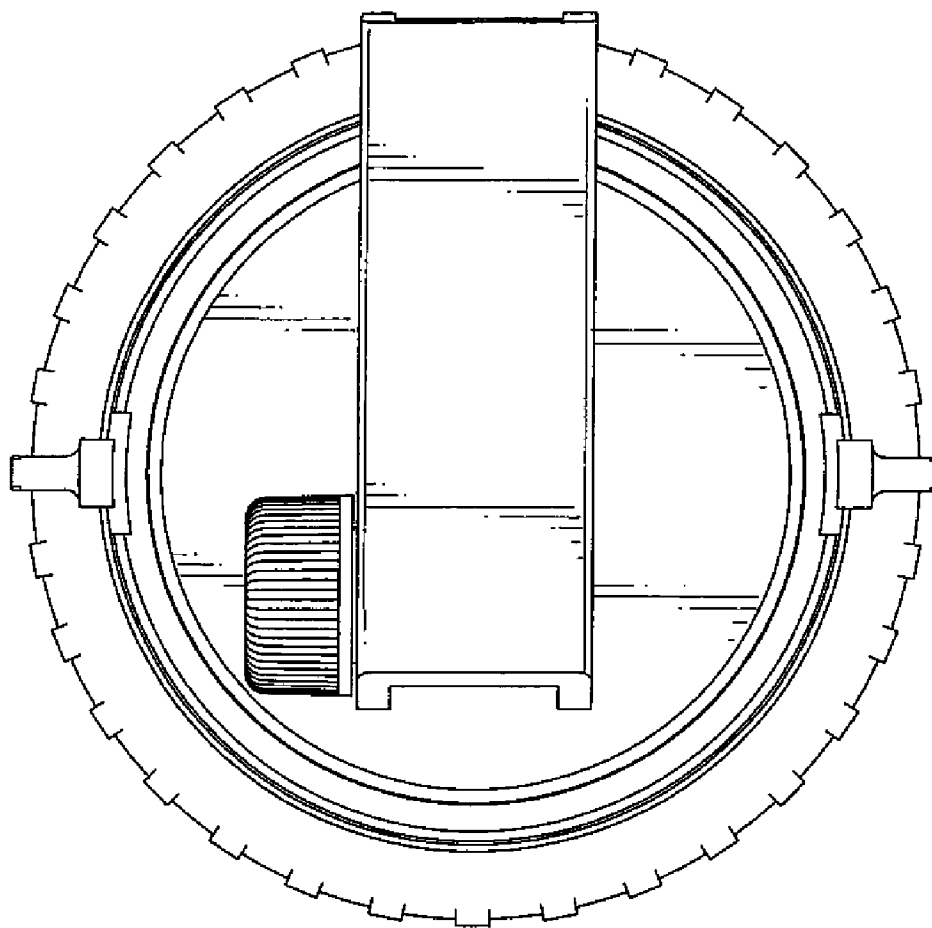


FIG.6

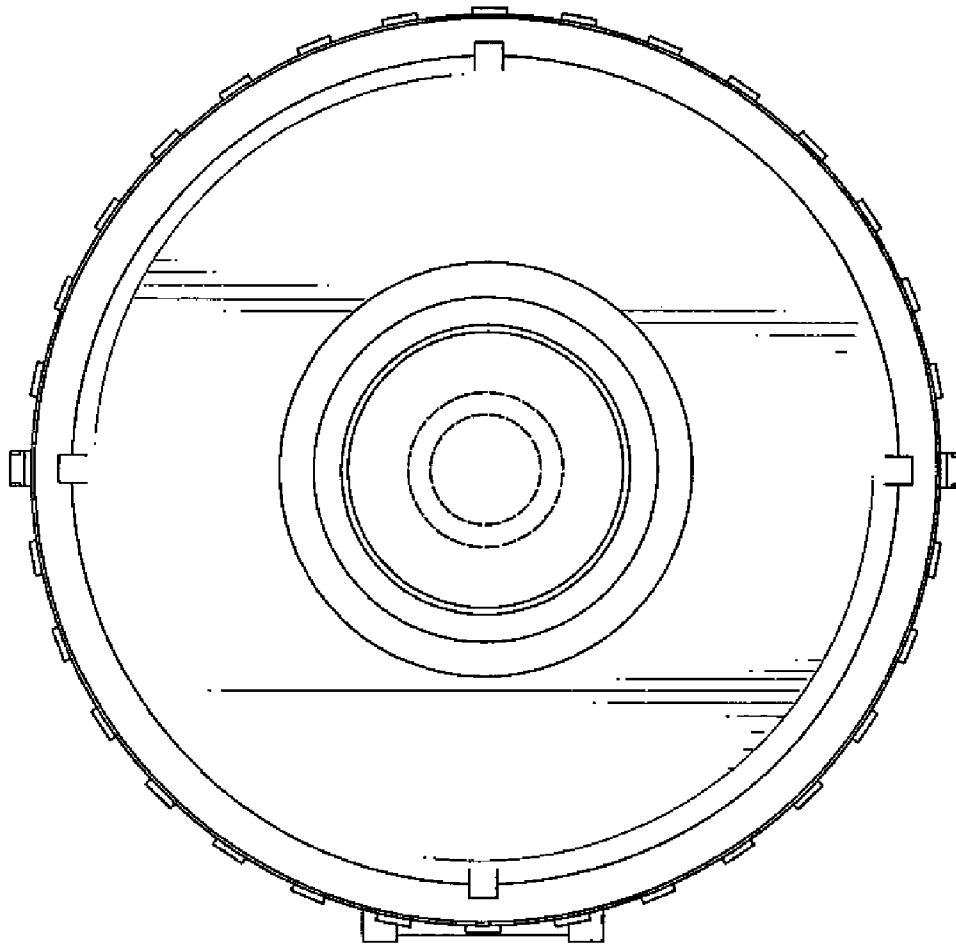


FIG.7

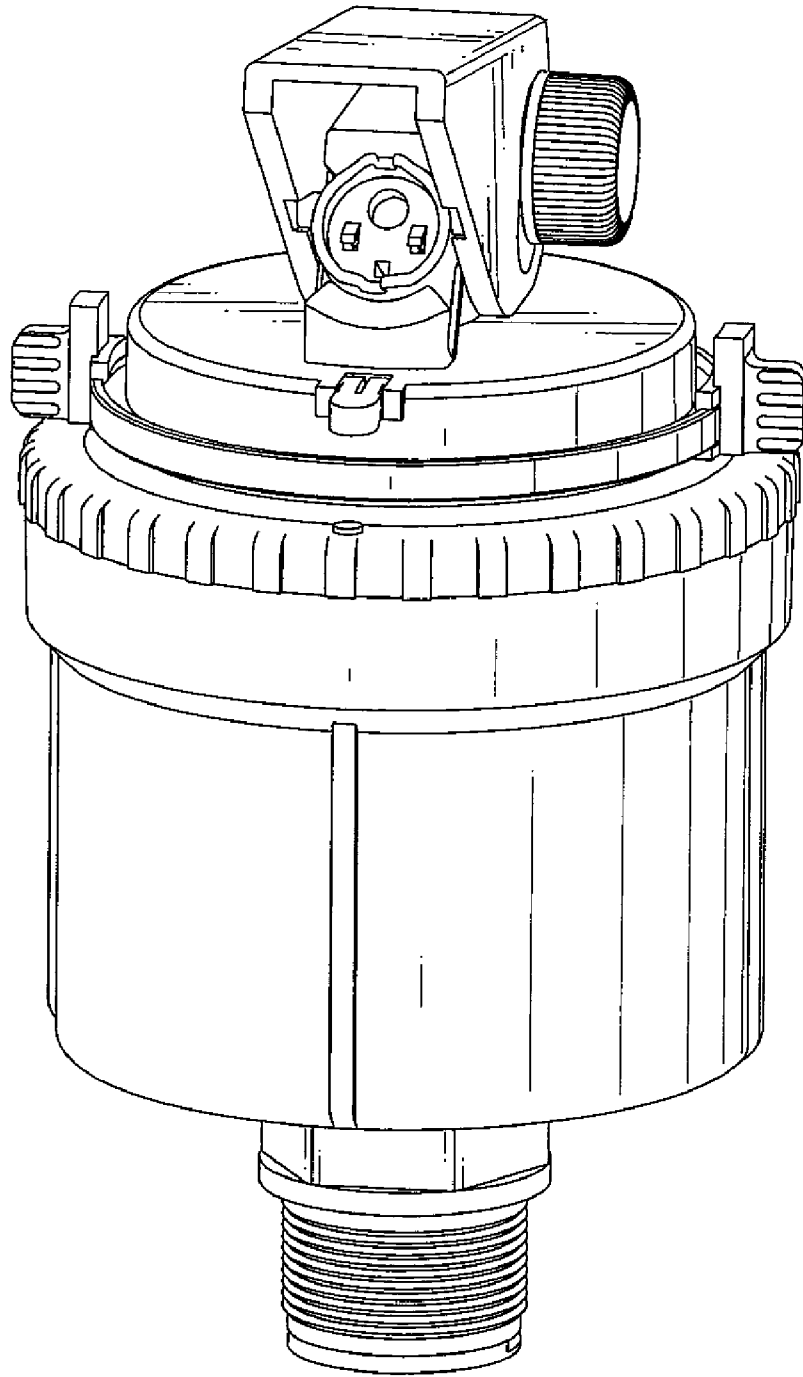


FIG.8