



- (51) International Patent Classification:
F16L 43/02 (2006.01) *E21B 43/013* (2006.01)
- (21) International Application Number:
PCT/GB2013/052395
- (22) International Filing Date:
13 September 2013 (13.09.2013)
- (25) Filing Language: English
- (26) Publication Language: English
- (30) Priority Data:
1216344.0 13 September 2012 (13.09.2012) GB
- (71) Applicant: **MAGMA GLOBAL LIMITED** [GB/GB];
Ground Floor Building, 1000 Lakeside North Harbour,
Western Road, Portsmouth PO6 3EZ (GB).
- (72) Inventor: **HATTON, Stephen**; Waverley, Send Marsh
Road, Woking, Surrey GU23 6JB (GB).
- (74) Agent: **DOCHERTY, Andrew**; Marks & Clerk LLP, Au-
rora, 120 Bothwell Street, Glasgow G2 7JS (GB).
- (81) Designated States (unless otherwise indicated, for every
kind of national protection available): AE, AG, AL, AM,
AO, AT, AU, AZ, BA, BB, BG, BH, BN, BR, BW, BY,
BZ, CA, CH, CL, CN, CO, CR, CU, CZ, DE, DK, DM,
DO, DZ, EC, EE, EG, ES, FI, GB, GD, GE, GH, GM, GT,

HN, HR, HU, ID, IL, IN, IS, JP, KE, KG, KN, KP, KR,
KZ, LA, LC, LK, LR, LS, LT, LU, LY, MA, MD, ME,
MG, MK, MN, MW, MX, MY, MZ, NA, NG, NI, NO, NZ,
OM, PA, PE, PG, PH, PL, PT, QA, RO, RS, RU, RW, SA,
SC, SD, SE, SG, SK, SL, SM, ST, SV, SY, TH, TJ, TM,
TN, TR, TT, TZ, UA, UG, US, UZ, VC, VN, ZA, ZM,
ZW.

(84) Designated States (unless otherwise indicated, for every
kind of regional protection available): ARIPO (BW, GH,
GM, KE, LR, LS, MW, MZ, NA, RW, SD, SL, SZ, TZ,
UG, ZM, ZW), Eurasian (AM, AZ, BY, KG, KZ, RU, TJ,
TM), European (AL, AT, BE, BG, CH, CY, CZ, DE, DK,
EE, ES, FI, FR, GB, GR, HR, HU, IE, IS, IT, LT, LU, LV,
MC, MK, MT, NL, NO, PL, PT, RO, RS, SE, SI, SK, SM,
TR), OAPI (BF, BJ, CF, CG, CI, CM, GA, GN, GQ, GW,
KM, ML, MR, NE, SN, TD, TG).

Published:

- with international search report (Art. 21(3))
- before the expiration of the time limit for amending the
claims and to be republished in the event of receipt of
amendments (Rule 48.2(h))

(88) Date of publication of the international search report:
18 September 2014

(54) Title: CONNECTION APPARATUS

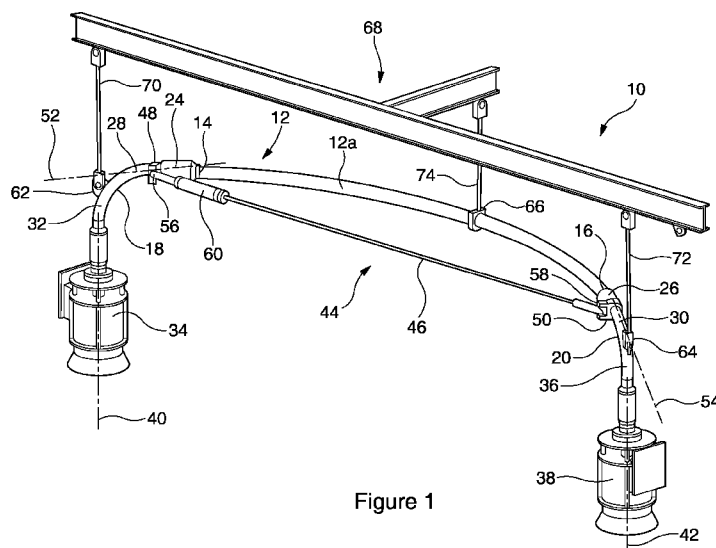


Figure 1

(57) Abstract: An apparatus (10) for provid-
ing fluid communication between first and
second connection points (34,38) comprises
a deformable pipe assembly (12) including a
composite material. A first connector (34)
is mounted at one end of the deformable pipe
assembly and is configured for connection
with a first connection point and a second
connector (38) is mounted at an opposite end
of the deformable pipe assembly and is con-
figured for connection with a second connec-
tion point. An adjusting assembly (44) is
configured to apply a force between separ-
ated regions of the deformable pipe as-
sembly, such that deformation of the defor-
mable pipeline assembly is responsive to the
adjusting assembly to permit a relative separ-
ation of the first and second connectors to be
adjusted.

INTERNATIONAL SEARCH REPORT

International application No
PCT/GB2013/052395

A. CLASSIFICATION OF SUBJECT MATTER
INV. F16L43/02 E21B43/013
ADD.
According to International Patent Classification (IPC) or to both national classification and IPC

B. FIELDS SEARCHED
Minimum documentation searched (classification system followed by classification symbols)
E21B F16L

Documentation searched other than minimum documentation to the extent that such documents are included in the fields searched

Electronic data base consulted during the international search (name of data base and, where practicable, search terms used)
EPO-Internal, WPI Data

C. DOCUMENTS CONSIDERED TO BE RELEVANT

Category*	Citation of document, with indication, where appropriate, of the relevant passages	Relevant to claim No.
X	US 5 320 175 A (RITTER PAUL B [US] ET AL) 14 June 1994 (1994-06-14)	1-5, 20-23, 25-32
Y	column 2, line 53 - line 69; figures 1,4 column 3, line 48 - line 52 column 3, line 61 - line 67 column 7, line 63 - column 8, line 8 column 8, line 63 - column 9, line 33 -----	6,9-19, 24
Y	WO 2010/139983 A1 (RWR SYSTEMS LTD [GB]; DATON-LOVETT ANDREW JAMES [GB]) 9 December 2010 (2010-12-09) abstract -----	6
Y	WO 2012/072991 A2 (MAGMA GLOBAL LTD [GB]; JONES MARTIN PETER WILLIAM [GB]; TAVNER CHARLES) 7 June 2012 (2012-06-07) the whole document -----	9-19
	-/--	

Further documents are listed in the continuation of Box C.

See patent family annex.

* Special categories of cited documents :

- "A" document defining the general state of the art which is not considered to be of particular relevance
- "E" earlier application or patent but published on or after the international filing date
- "L" document which may throw doubts on priority claim(s) or which is cited to establish the publication date of another citation or other special reason (as specified)
- "O" document referring to an oral disclosure, use, exhibition or other means
- "P" document published prior to the international filing date but later than the priority date claimed

- "T" later document published after the international filing date or priority date and not in conflict with the application but cited to understand the principle or theory underlying the invention
- "X" document of particular relevance; the claimed invention cannot be considered novel or cannot be considered to involve an inventive step when the document is taken alone
- "Y" document of particular relevance; the claimed invention cannot be considered to involve an inventive step when the document is combined with one or more other such documents, such combination being obvious to a person skilled in the art
- "&" document member of the same patent family

Date of the actual completion of the international search 7 July 2014	Date of mailing of the international search report 18/07/2014
Name and mailing address of the ISA/ European Patent Office, P.B. 5818 Patentlaan 2 NL - 2280 HV Rijswijk Tel. (+31-70) 340-2040, Fax: (+31-70) 340-3016	Authorized officer Dantine, Patrick

INTERNATIONAL SEARCH REPORT

International application No
PCT/GB2013/052395

C(Continuation). DOCUMENTS CONSIDERED TO BE RELEVANT		
Category*	Citation of document, with indication, where appropriate, of the relevant passages	Relevant to claim No.
Y	US 2006/201679 A1 (WILLIAMS MICHAEL R [US]) 14 September 2006 (2006-09-14) paragraph [0010] - paragraph [0011]; figure 2 paragraph [0037] - paragraph [0038] -----	24
A	EP 0 426 123 A2 (PETROLEO BRASILEIRO SA [BR]) 8 May 1991 (1991-05-08) column 4, line 38 - line 50; figures 1,2,4,5 -----	1-32
A	EP 0 480 766 A1 (PETROLEO BRASILEIRO SA [BR]) 15 April 1992 (1992-04-15) column 2, line 35 - column 3, line 6 -----	1-32

INTERNATIONAL SEARCH REPORT

Information on patent family members

International application No

PCT/GB2013/052395

Patent document cited in search report	Publication date	Patent family member(s)	Publication date	
US 5320175	A	14-06-1994	BR 9405929 A	09-01-1996
			CA 2154884 A1	04-08-1994
			GB 2290098 A	13-12-1995
			NO 952973 A	28-09-1995
			OA 10224 A	07-10-1997
			RU 2118444 C1	27-08-1998
			US 5320175 A	14-06-1994
			WO 9417279 A1	04-08-1994

WO 2010139983	A1	09-12-2010	CN 102460078 A	16-05-2012
			EP 2438403 A1	11-04-2012
			US 2012210793 A1	23-08-2012
			WO 2010139983 A1	09-12-2010

WO 2012072991	A2	07-06-2012	AU 2011334693 A1	04-07-2013
			CA 2819774 A1	07-06-2012
			EA 201390809 A1	30-12-2013
			EP 2646729 A2	09-10-2013
			GB 2486328 A	13-06-2012
			US 2013263964 A1	10-10-2013
			WO 2012072991 A2	07-06-2012

US 2006201679	A1	14-09-2006	NONE	

EP 0426123	A2	08-05-1991	AU 639498 B2	29-07-1993
			AU 6559590 A	09-05-1991
			BR 8905595 A	07-05-1991
			CA 2028010 A1	02-05-1991
			DE 69026574 D1	23-05-1996
			DE 69026574 T2	19-09-1996
			EP 0426123 A2	08-05-1991
			NO 904723 A	02-05-1991
			US 5074713 A	24-12-1991

EP 0480766	A1	15-04-1992	BR 9005132 A	14-04-1992
			EP 0480766 A1	15-04-1992
			NO 913900 A	13-04-1992
			US 5163782 A	17-11-1992
