



(43) International Publication Date
24 August 2017 (24.08.2017)

(51) International Patent Classification:
A61M 25/00 (2006.01)

(21) International Application Number:
PCT/US2017/015581

(22) International Filing Date:
30 January 2017 (30.01.2017)

(25) Filing Language: English

(26) Publication Language: English

(30) Priority Data:
62/296,323 17 February 2016 (17.02.2016) US
62/382,434 1 September 2016 (01.09.2016) US

(71) Applicant: MRI INTERVENTIONS, INC. [US/US]; 5 Musick, Irvine, California 92618 (US).

(72) Inventors: FLORES, Jesse; 1066 Navajo Road, Perris, California 92570 (US). PIFERI, Peter G.; 6026 E. Teton Avenue, Orange, California 92867 (US).

(74) Agent: RICHARDSON, Julie, H.; Myers Bigel, P.A., PO Box 37428, Raleigh, North Carolina 27627 (US).

(81) Designated States (unless otherwise indicated, for every kind of national protection available): AE, AG, AL, AM,

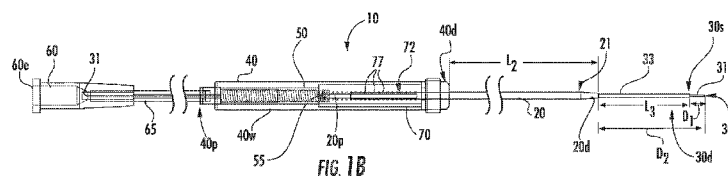
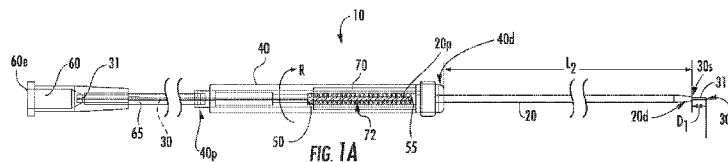
AO, AT, AU, AZ, BA, BB, BG, BH, BN, BR, BW, BY, BZ, CA, CH, CL, CN, CO, CR, CU, CZ, DE, DJ, DK, DM, DO, DZ, EC, EE, EG, ES, FI, GB, GD, GE, GH, GM, GT, HN, HR, HU, ID, IL, IN, IR, IS, JP, KE, KG, KH, KN, KP, KR, KW, KZ, LA, LC, LK, LR, LS, LU, LY, MA, MD, ME, MG, MK, MN, MW, MX, MY, MZ, NA, NG, NI, NO, NZ, OM, PA, PE, PG, PH, PL, PT, QA, RO, RS, RU, RW, SA, SC, SD, SE, SG, SK, SL, SM, ST, SV, SY, TH, TJ, TM, TN, TR, TT, TZ, UA, UG, US, UZ, VC, VN, ZA, ZM, ZW.

(84) Designated States (unless otherwise indicated, for every kind of regional protection available): ARIPO (BW, GH, GM, KE, LR, LS, MW, MZ, NA, RW, SD, SL, ST, SZ, TZ, UG, ZM, ZW), Eurasian (AM, AZ, BY, KG, KZ, RU, TJ, TM), European (AL, AT, BE, BG, CH, CY, CZ, DE, DK, EE, ES, FI, FR, GB, GR, HR, HU, IE, IS, IT, LT, LU, LV, MC, MK, MT, NL, NO, PL, PT, RO, RS, SE, SI, SK, SM, TR), OAPI (BF, BJ, CF, CG, CI, CM, GA, GN, GQ, GW, KM, ML, MR, NE, SN, TD, TG).

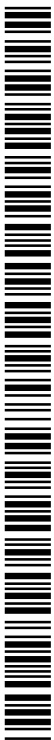
Published:

— with international search report (Art. 21(3))

(54) Title: INTRABODY SURGICAL FLUID TRANSFER ASSEMBLIES WITH ADJUSTABLE EXPOSED CANNULA TO NEEDLE TIP LENGTH, RELATED SYSTEMS AND METHODS



(57) Abstract: Devices for transferring fluid to or from a subject include an elongate tubular cannula having opposing proximal and distal ends with an axially extending lumen. The devices also include an elongate needle having opposing proximal and distal ends. The elongate needle is configured so that the distal end of the needle extends out of the distal end of the cannula a suitable adjustable distance. The devices also include a housing with a length adjustment mechanism that adjusts a length between the tip of the needle and the distal end of the tubular cannula.



WO 2017/142698 A1

INTRABODY SURGICAL FLUID TRANSFER ASSEMBLIES WITH ADJUSTABLE
EXPOSED CANNULA TO NEEDLE TIP LENGTH, RELATED SYSTEMS AND
METHODS

RELATED APPLICATIONS

[0001] This application claims the benefit of and priority to U.S. Provisional Application Serial Number 62/296,323, filed February 17, 2016, and U.S. Provisional Application Serial Number 62/382,434, filed September 1, 2016, the contents of which are hereby incorporated by reference as if recited in entirety herein.

FIELD OF THE INVENTION

[0002] The present invention relates generally to medical devices and systems and, more particularly, to devices and systems for delivering and/or withdrawing substances *in vivo*.

BACKGROUND

[0003] Various therapeutic and diagnostic procedures require that a substance be delivered (e.g., infused) into a prescribed region of a patient, such as to an intrabody target using a delivery device. It may be important or critical that the substance be delivered with accuracy to the target region in the patient and without undue trauma to the patient.

SUMMARY

[0004] It should be appreciated that this Summary is provided to introduce a selection of concepts in a simplified form, the concepts being further described below in the Detailed Description. This Summary is not intended to identify key features or essential features of this disclosure, nor is it intended to limit the scope of the invention.

[0005] Embodiments of the invention are directed to intrabody fluid transfer assemblies with adjustable exposed tubular cannula to needle tip length, related systems and methods.

[0006] Embodiments of the invention are directed to a surgical device for transferring fluid to or from a subject. The device includes a tubular cannula (which may be referred to as an elongate guide cannula) having opposing proximal and distal ends with an open axially

extending lumen. The device also includes an elongate needle (which can also be referred to as a "capillary" or "capillary tube") having opposing proximal and distal ends. The elongate needle is configured to extend through (typically slidably insertable into) the tubular cannula lumen so that the distal end of the needle extends a distance out of the distal end of the tubular cannula. The device also includes a length adjustment housing for positional adjustment of length between the distal end of the tubular cannula and the exposed tip of the needle.

[0007] The tubular cannula and/or needle can be held in the housing to be retracted and extended from the housing.

[0008] The length adjustment housing can reside external of a patient when the distal end portion of the tubular cannula and needle are in the patient.

[0009] The housing can rotate in a defined direction to extend at least one of the needle or the cannula.

[0010] A portion of the needle resides in and/or is attached to or attachable to a length of flexible tubing. The elongate needle can be formed of fused silica glass. The distal end of the needle can have a stepped configuration with a first segment having a first outer diameter that merges into a second end segment having a second smaller outer diameter, the second segment having a length that extends to a tip of the needle.

[0011] The needle may comprise an inner capillary member and an outer capillary member of a larger diameter than the inner capillary tube but a smaller diameter than the cannula tube.

[0012] The outer capillary tube can comprise a shrink fit sleeve to sealably engage the inner wall of the lumen of the tubular cannula.

[0013] The distance that the needle tip extends out of the distal end of the tubular cannula is between about 2 mm to about 30 mm and this length can be extended or retracted relative to the tubular cannula when the tubular cannula and needle tip are in the body of a patient (i.e., a brain).

[0014] The tubular cannula can be formed of and/or include a ceramic material.

[0015] The tubular cannula can have an outer polymeric coating and/or sleeve.

[0016] The distal end of the tubular cannula can be tapered so that it has a smaller outer diameter at a tip relative to an outer diameter of the tubular cannula more proximal or rearward of the tapered distal end.

[0017] The elongate needle can be an infusate needle that has a stepped distal end configuration and is integrally attached to the flexible tubing as a subassembly.

- [0018] The needle and tubular cannula can be MRI compatible for use in an MRI guided procedure.
- [0019] The intrabody devices can be particularly suitable for withdrawing/introducing fluid from/into the ventricular brain.
- [0020] The tubular cannula can be formed of or include a ceramic material.
- [0021] The tubular cannula can have an outer polymeric coating and/or sleeve.
- [0022] The distal end of the tubular cannula can be tapered so that it has a smaller outer diameter at a tip relative to an outer diameter of the tubular cannula at a more medial or proximal portion and/or rearward of the tapered distal end.
- [0023] The tubular cannula can be formed of and/or include a ceramic material.
- [0024] The tubular cannula and the outer capillary can each comprise a conformal outer polymeric sleeve.
- [0025] The distal end portion of the needle that extends out of the tubular cannula can have at least first and second co-axially disposed segments having different outer diameters, with a smallest sized outer diameter of the first segment extending to a tip thereof.
- [0026] The tubular cannula can have an exterior surface on a distal end portion thereof that tapers down in size to a tip thereof to define a third coaxially disposed stepped segment that resides a distance rearward of the second segment and has a larger outer diameter than both the first and second co-axially disposed segments.
- [0027] The needle can have a fused glass silica body.
- [0028] An outer surface of the tubular cannula can have a size and geometry adapted for use with a stereotactic frame.
- [0029] The needle can have an inner diameter of between about 100 μm to about 750 μm .
- [0030] The first smallest outer diameter segment can have a longitudinal length of between about 1 mm to about 10 mm. The second segment can have a longitudinal length of between about 2 mm to about 20 mm. The distal tip of the guide cannula can reside a distance between 3 mm to about 30 mm from a distal tip of the needle.
- [0031] Yet other embodiments are directed to methods of transferring a substance to and/or from a patient, the methods include: providing a tubular cannula with an axially extending interior lumen and a needle having an internal lumen with a distal end of the needle extending out of the tubular cannula at a target site; then transferring the substance to or from the target site through the needle lumen.
- [0032] The needle can be an infusion needle. The transferring the substance to or

from the target site can be carried out by infusing a substance into target tissue such as into the brain or into the heart, for example.

[0033] It is noted that aspects of the invention described with respect to one embodiment may be incorporated in a different embodiment although not specifically described relative thereto. That is, all embodiments and/or features of any embodiment can be combined in any way and/or combination. Applicant reserves the right to change any originally filed claim or file any new claim accordingly, including the right to be able to amend any originally filed claim to depend from and/or incorporate any feature of any other claim although not originally claimed in that manner. These and other objects and/or aspects of the present invention are explained in detail below.

BRIEF DESCRIPTION OF THE DRAWINGS

[0034] **Figure 1A** is a side view of an exemplary intrabody fluid transfer assembly shown in an exemplary first position according to embodiments of the present invention.

[0035] **Figure 1B** is a side view of the exemplary intrabody fluid transfer assembly shown in an exemplary second position, with the needle tip further away from a distal end of the tubular cannula than in the first position, according to embodiments of the present invention.

[0036] **Figure 2A** is a side view of the assembly shown in **Figure 1A** in the first position.

[0037] **Figure 2B** is a section view taken along lines 2B-2B in **Figure 2A** according to embodiments of the present invention.

[0038] **Figure 3A** is a side view of the assembly shown in **Figure 1B** in the second position.

[0039] **Figure 3B** is a section view taken along lines 3B-3B in **Figure 3A** according to embodiments of the present invention.

[0040] **Figure 4A** is a side view of some components of the assembly shown in **Figure 1B**.

[0041] **Figure 4B** is a partial exploded view of the components shown in **Figure 4A** according to embodiments of the present invention.

[0042] **Figure 5A** is a side view of the assembly shown in **Figure 1B** in the second position according to embodiments of the present invention.

[0043] **Figure 5B** is a section view taken along lines 5B-5B in **Figure 5A** of the assembly shown in **Figure 5A**.

- [0044] **Figure 5C** is a section view taken along lines 5C-5C in **Figure 5A**.
- [0045] **Figure 6** is an enlarged section view of components of the assembly shown in **Figure 5A** according to some embodiments of the present invention.
- [0046] **Figure 7** is a greatly enlarged side perspective view of a housing of an assembly with a length adjustment mechanism/mechanism according to embodiments of the present invention.
- [0047] **Figure 8A** is a side perspective view of another embodiment of an intrabody fluid transfer assembly according to embodiments of the present invention.
- [0048] **Figure 8B** is a side perspective view of the assembly shown in **Figure 8A** but illustrating the exposed needle tip further extended according to embodiments of the present invention.
- [0049] **Figure 9A** is a greatly enlarged partially transparent view of the housing assembly shown in **Figures 8A** and **8B**.
- [0050] **Figure 9B** is a greatly enlarged partially transparent view of another embodiment of a housing for the assembly shown in **Figures 8A** and **8B** according to embodiments of the present invention.
- [0051] **Figure 9C** is a side partially exposed view of the infusion assembly shown in **Figure 9B** illustrating a needle tip to tubular cannula retracted configuration with the gear outside the housing according to embodiments of the present invention.
- [0052] **Figure 9D** is a side partially exposed view of the infusion assembly shown in **Figure 9C** illustrating a needle tip to tubular cannula extended configuration with the gear inside the housing according to embodiments of the present invention.
- [0053] **Figure 9E** is a top view with the housing shown partially transparent of the transfer assembly shown in **Figure 9C**.
- [0054] **Figure 9F** is a section view taken along line 9F-9F in **Figure 9E**.
- [0055] **Figures 9G, 9H** and **9I** illustrate exemplary attachment regions of various components of the fluid transfer assembly shown in **Figures 9D** and **9E** according to embodiments of the present invention.
- [0056] **Figure 10A** is a side perspective view of another embodiment of an intrabody fluid transfer assembly according to embodiments of the present invention.
- [0057] **Figure 10B** is a side perspective view of the assembly shown in **Figure 10A** but illustrating the exposed needle tip further extended according to embodiments of the present invention.
- [0058] **Figure 11A** is a side perspective, partially exploded view of the intrabody fluid

transfer assembly shown in **Figure 10A**.

[0059] **Figure 11B** is a greatly enlarged partial assembly view of the portion of the intrabody fluid transfer assembly shown in **Figure 11A**.

[0060] **Figure 12A** is a side partially exposed view of the infusion assembly shown in **Figure 10A** illustrating a needle tip to tubular cannula retracted configuration with the gear outside the housing according to embodiments of the present invention.

[0061] **Figure 12B** is a side partially exposed view of the infusion assembly shown in **Figure 12A** illustrating a needle tip to tubular cannula extended configuration with the gear inside the housing according to embodiments of the present invention.

[0062] **Figure 12C** is a top view with the housing shown partially transparent of the transfer assembly shown in **Figure 9C**.

[0063] **Figure 12D** is a section view taken along line 12D-12D in **Figure 12C**.

[0064] **Figures 12E** and **12F** illustrate exemplary attachment regions of various components of the fluid transfer assembly shown in **Figures 12A-12D** according to embodiments of the present invention.

[0065] **Figure 13** is a top view of an exemplary intrabody fluid transfer assembly according to embodiments of the present invention.

[0066] **Figure 14** is a schematic illustration of an MRI-guided interventional system in which embodiments of the present invention may be utilized.

[0067] **Figure 15** is a sectional view of the trajectory guide of the MRI-guided system of **Figure 14** with an exemplary needle and surgical cannula for transferring a substance (e.g., an infusate, etc.) to an intrabody target region of a patient.

[0068] **Figure 16** is a flow chart of exemplary actions that can be carried out according to embodiments of the present invention.

ETAILED DESCRIPTION

[0069] The present invention now is described more fully hereinafter with reference to the accompanying drawings, in which some embodiments of the invention are shown. This invention may, however, be embodied in many different forms and should not be construed as limited to the embodiments set forth herein; rather, these embodiments are provided so that this disclosure will be thorough and complete, and will fully convey the scope of the invention to those skilled in the art.

[0070] Like numbers refer to like elements throughout. In the figures, the thickness of certain lines, layers, components, elements or features may be exaggerated for clarity.

The terms "FIG." and "Fig." are used interchangeably with the word "Figure" in the specification and/or figures.

[0071] The terminology used herein is for the purpose of describing particular embodiments only and is not intended to be limiting of the invention. As used herein, the singular forms "a", "an" and "the" are intended to include the plural forms as well, unless the context clearly indicates otherwise. It will be further understood that the terms "comprises" and/or "comprising," when used in this specification, specify the presence of stated features, steps, operations, elements, and/or components, but do not preclude the presence or addition of one or more other features, steps, operations, elements, components, and/or groups thereof. As used herein, the term "and/or" includes any and all combinations of one or more of the associated listed items.

[0072] Unless otherwise defined, all terms (including technical and scientific terms) used herein have the same meaning as commonly understood by one of ordinary skill in the art to which this invention belongs. It will be further understood that terms, such as those defined in commonly used dictionaries, should be interpreted as having a meaning that is consistent with their meaning in the context of the specification and relevant art and should not be interpreted in an idealized or overly formal sense unless expressly so defined herein. Well-known functions or constructions may not be described in detail for brevity and/or clarity.

[0073] It will be understood that when an element is referred to as being "on", "attached" to, "connected" to, "coupled" with, "contacting", etc., another element, it can be directly on, attached to, connected to, coupled with or contacting the other element or intervening elements may also be present. In contrast, when an element is referred to as being, for example, "directly on", "directly attached" to, "directly connected" to, "directly coupled" with or "directly contacting" another element, there are no intervening elements present. It will also be appreciated by those of skill in the art that references to a structure or feature that is disposed "adjacent" another feature may have portions that overlap or underlie the adjacent feature.

[0074] Spatially relative terms, such as "under," "below," "lower," "over," "upper" and the like, may be used herein for ease of description to describe one element or feature's relationship to another element(s) or feature(s) as illustrated in the figures. It will be understood that the spatially relative terms are intended to encompass different orientations of the device in use or operation in addition to the orientation depicted in the figures. For example, if the device in the figures is inverted, elements described as "under" or "beneath"

other elements or features would then be oriented "over" the other elements or features. Thus, the exemplary term "under" can encompass both an orientation of "over" and "under". The device may be otherwise oriented (rotated 90 degrees or at other orientations) and the spatially relative descriptors used herein interpreted accordingly. Similarly, the terms "upwardly," "downwardly," "vertical," "horizontal" and the like are used herein for the purpose of explanation only unless specifically indicated otherwise.

[0075] The term "about," as used herein with respect to a value or number, means that the value or number can vary by +/- twenty percent (20%).

[0076] The term "monolithic" means that the component (e.g., needle) is formed of a single uniform material.

[0077] The term "MRI visible" means that a device is visible, directly or indirectly, in an MRI image. The visibility may be indicated by the increased SNR of the MRI signal proximate to the device (the device can act as an MRI receive antenna to collect signal from local tissue) and/or that the device actually generates MRI signal itself, such as via suitable hydro-based coatings and/or fluid (typically aqueous solutions) filled channels or lumens.

[0078] The term "MRI compatible" means that a device is safe for use in an MRI environment and/or can operate as intended in an MRI environment without generating MR signal artifacts, and, as such, if residing within the high-field strength region of the magnetic field, is typically made of a non-ferromagnetic MRI compatible material(s) suitable to reside and/or operate in a high magnetic field environment.

[0079] The term "high-magnetic field" refers to field strengths above about 0.5T (Tesla), typically above 1.0T, and more typically between about 1.5T and 10T.

[0080] The term "near real time" refers to both low latency and high frame rate. Latency is generally measured as the time from when an event occurs to display of the event (total processing time). For tracking, the frame rate can range from between about 100 fps to the imaging frame rate. In some embodiments, the tracking is updated at the imaging frame rate. For near "real-time" imaging, the frame rate is typically between about 1 fps to about 20 fps, and in some embodiments, between about 3 fps to about 7 fps. The low latency required to be considered "near real time" is generally less than or equal to about 1 second. In some embodiments, the latency for tracking information is about 0.01s, and typically between about 0.25-0.5s when interleaved with imaging data. Thus, with respect to tracking, visualizations with the location, orientation and/or configuration of a known intrabody device can be updated with low latency between about 1 fps to about 100 fps. With respect to imaging, visualizations using near real time MR image data can be presented with a low

latency, typically within between about 0.01 ms to less than about 1 second, and with a frame rate that is typically between about 1- 20 fps. Together, the system can use the tracking signal and image signal data to dynamically present anatomy and one or more intrabody devices in the visualization in near real-time. In some embodiments, the tracking signal data is obtained and the associated spatial coordinates are determined while the MR image data is obtained and the resultant visualization(s) with the intrabody device (e.g., stilet) and the near RT MR image(s) are generated.

[0081] The term "sterile," as used herein, means that a device, kit, and/or packaging meets or exceeds medical/surgical cleanliness guidelines, and typically is free from live bacteria or other microorganisms.

[0082] Embodiments of the present invention can be utilized with various diagnostic or interventional devices and/or therapies to any desired internal region of an object using any suitable imaging modality, typically an MRI and/or in an MRI scanner or MRI interventional suite. However, CT or other imaging modalities may be used. The object can be any object, and may be particularly suitable for animal and/or human subjects for e.g., animal studies and/or veterinarian or human treatments. Some embodiments deliver therapies to the spine. Some embodiments deliver therapies to treat or stimulate a desired region of the sympathetic nerve chain. Other uses, inside or outside the brain, nervous system or spinal cord, include stem cell placement, gene therapy or drug delivery for treating physiological conditions, chemotherapy, drugs including replicating therapy drugs. Some embodiments can be used to treat tumors.

[0083] The term "substance," as used herein, refers to a liquid for treating or facilitating diagnosis of a condition and can include bions, stem cells or other target cells to site-specific regions in the body, such as neurological, nerves or other target sites and the like. In some embodiments, stem cells and/or other rebuilding cells or products can be delivered into spine, brain or cardiac tissue, such as a heart wall via a minimally invasive MRI guided procedure, while the heart is beating (i.e., not requiring a non-beating heart with the patient on a heart-lung machine). Examples of known stimulation treatments and/or target body regions are described in U.S. Patent Nos. 6,708,064; 6,438,423; 6,356,786; 6,526,318; 6,405,079; 6,167,311; 6,539,263; 6,609,030 and 6,050,992, the contents of which are hereby incorporated by reference as if recited in full herein.

[0084] The term "infusion" and derivatives thereof refers to the delivery of a substance (which can be a single substance or a mixture) at a relatively slow rate so that the substance can infuse about a target region. Thus, the term "infusate" refers to a substance so

delivered.

[0085] Embodiments of the present invention will now be described in further detail below with reference to the figures. **Figures 1A and 1B** illustrate an exemplary intrabody fluid transfer assembly **10** with a tubular cannula **20**, a needle **30** and a housing **40** with a length adjustment mechanism **50** attached (directly or indirectly) to one or both of the tubular cannula **20** and needle **30** to be able to extend and retract one or both relative to the distal end of the housing **40d**. The term "needle" refers to a relatively small device with an open lumen (**30l**, **Figure 5C**) extending to its tip **30t** to release or intake fluid.

[0086] The tubular cannula **20** can comprise a different material than the needle **30**. Where the needle **30** comprises inner and outer capillary tubes **31**, **33**, the outer capillary tube **33** can be shorter than the inner capillary tube **31** and may terminate inside the housing **40**. By way of example only, the tubular cannula **20** can be a ceramic tube that has increased rigidity relative to the needle and the needle **30** can be formed of fused silica.

[0087] The length adjustment mechanism **50** is configured to adjust a distance or length between the distal end of the tubular cannula **20d** and the exposed tip of the needle **30t**. The length adjustment mechanism **50** can be configured to provide a maximal stroke length of between 0.5 inches and 3 inches, more typically between about 0.75 inches to about 1 inch (2.5 cm) such as about 0.79 inches. The length adjustment can be carried out *in vivo* while the housing remains external of a patient with the distal end of the cannula **20d** and needle tip **30t** in the body of the patient.

[0088] The distal end of the housing **40d** can reside at a distance that is between 4-10 inches from the needle tip **30t**, more typically between 4 and 5 inches. This length can remain fixed in some embodiments.

[0089] The needle **30** may comprise an inner capillary tube **31** with a length sufficient to define the tip **30t** and may have an outer capillary tube **33** that resides a distance rearward from the tip **30t** to form at least one stepped distal end portion **30s** (so that the needle **30** merges from a larger diameter to a smaller diameter at a distal end portion thereof, toward the tip **30t**) of the needle **30**. This stepped portion can define a surface that is orthogonal to the cannula/needle axis.

[0090] As shown in **Figures 1A and 1B**, the tubular cannula **20** can have opposing proximal and distal ends **20p**, **20d**, respectively. The tubular cannula **20** can have an external exposed stepped and/or tapered segment **21** (the outer diameter becoming smaller in a direction of the needle tip **30t**). The distance between the distal end of the tubular cannula

20d and the needle tip **30t** can be adjusted by a user to position the tapered segment **21** closer or further away from the needle tip **30t**.

[0091] As shown in **Figures 1A, 2A and 2B**, for example, in a first configuration, the needle tip **30t** resides at a short distance " D_1 " from the distal end of the cannula **20d** while in **Figure 1B**, in a second configuration, the distal end of the cannula **20d** resides at a longer distance D_2 from the needle tip **30t**. D_2 can be between about 0.5 inches and about 3 inches, more typically between about 0.5 inches and about 1.1 inch. D_1 can be between about 1 mm to about 50 mm, typically between 1 mm and 10 mm, and in some embodiments between about 2 mm to about 4 mm, such as about 3mm.

[0092] The needle tip **30t** may be configured to reside at a fixed extended length from the distal end of the housing **20d** which may be between about 4 and 6 inches, more typically between about 4.8 and about 5 inches, in some particular embodiments.

[0093] In some particular embodiments, the distal end of the tubular cannula **20d** can reside at a length L_2 that is about 4.7 inches in a fully extended position (**Figure 1A**) and at about 3.93 inches in a fully retracted position (**Figure 1B**). However, other stroke distances and extended and retracted lengths may be used.

[0094] Referring to **Figure 1B**, the distal end portion of the needle **30d** can have at least one stepped segment **30s** that can have an increased outer diameter relative to the tip **30t**. The stepped segment **30s** can reside in the distal end of the cannula **20d** in the configuration shown in **Figures 1A, 2A and 2B**.

[0095] The stepped segment **30s** can reside a fixed length D_1 from the tip **30t**. L_1 can be, for example, between about 1 mm to about 50 mm, typically between 1 mm and 10 mm, and in some embodiments between about 2 mm to about 4 mm, such as about 3mm. In the configuration shown in **Figure 1B**, for example, the needle **30** can have an exposed length L_3 that extends rearward from the stepped segment **30s** with the increased outer diameter out of the distal end of the tubular cannula **20d**. L_3 can be longer than D_1 and can be between about 2 mm and 20 mm. The distal end portion of the needle **30d** may include more than two co-axially aligned (concentric) stepped segments **30s**.

[0096] The tubular cannula **20** can have a length L_2 that extends out of the housing **40** that varies to provide the positional adjustment relative to the tip. In other embodiments, the tubular cannula **20** can remain fixed in position in the housing **40** and the needle **30** can be extended and retracted relative to the housing **40**. In yet other embodiments, the tubular cannula **20** and the needle **30** can each be extendable and retractable out of the distal end of the housing **40d**.

[0097] The length D_2 of the distal end portion of the needle **30** outside the cannula **20** during delivery can be between about 3 mm to 30 mm. These lengths can be selected to inhibit reflux and/or provide a desired delivery path during infusion.

[0098] The needle **30** can have a stepped distal end portion that cooperates with the cannula **21** to form co-axially disposed step segments (the orthogonally extending end face at the distal end of the cannula **20d**, and the stepped segment **30s** of the needle. There can be three different outer diameters that are longitudinally separated with steps on one or more of end faces S_1 , S_2 , S_3 (**Figure 4A**). One or some of the steps S_1 , S_2 , S_3 can serve to reduce or prevent reflux of the delivered substance. The end face at taper segment S_3 can be a conical face rather than an orthogonal end face provided at S_1 and S_2 (orthogonal to the axial direction of the needle axial direction and the tubular cannula axial direction).

[0099] According to some embodiments, the inner diameter of the needle **30** is in the range of from about 10 μm to 1 mm and, in some particular embodiments, is between about 100 μm to about 750 μm , such as about 200 μm . According to some embodiments, the outer diameter at the tip **30t** is in the range of from about 75 μm to 1.08 mm and, in some embodiments is about 360 μm .

[00100] In some embodiments, as shown in **Figures 1A** and **1B**, for example, an outer wall **40w** of the housing **40** can be (manually or electro-mechanically) rotated in a first direction (indicated by the arrow with the letter "R") to retract the length adjustment mechanism **50** in the housing **40**, which, in turn, exposes a larger length of the distal end of the needle **30** (**Figures 1B**, **3A**, **3B**). The rotation can be in either direction for the retraction and is typically manually carried out. The rotation of the outer wall of the housing **40w** can retract the tubular cannula **20** and/or extend the needle **30**.

[00101] The rotatable outer wall **40w** can be the entire outer wall or a portion of the outerwall. The rotatable outer wall **40w** can be between about 1 about 6 inches long and may have a small diameter, greater than the diameter of the outer wall of the tubular cannula **20** and less than about 0.3 inches, in some embodiments. The rotatable outer wall **40w** can be cylindrical.

[00102] According to some embodiments, at least part of an exposed length of the tubular cannula **20** has an outer surface comprising a polymeric support sleeve **23** (**Figure 3A**) which can comprises a shrink tube and may have a thickness in the range of from about 40 μm to about 60 μm .

[00103] While different sizes may be appropriate for different uses, the tubular cannula **20** can, in some embodiments, have an outer diameter that is between about 0.2 inches and

0.015 inches, such as, in some particular embodiments about 0.061 inches and an inner diameter that is between 0.10 inches and 0.001 inches, such as, in some particular embodiments, about 0.029 inches. The tubular cannula **20** can have a lower portion with a smaller outer diameter than an upper or proximal portion or may have a constant outer diameter over its length to the tapered segment **21**.

[00104] The needle **30** can be fused silica and may also include an outer wall covered by sleeve **35** which can comprise a shrink tube or other polymeric sleeve or coating, typically starting at the stepped segment **30s** and extending a length over the outer capillary **33** as shown, for example in **Figure 3A** and **5C**, to facilitate a suitably fluid-tight interface at the distal end of the tubular guide cannula **20d** to inhibit or reduce fluid entry into this interface/space during delivery or intake. The sleeve **35** can be polyester and can have a thickness that is between about 0.00125 inches and 0.00150 inches, in some embodiments.

[00105] As shown in **Figures 1A, 1B, 2A** and **2B**, for example, the assembly **10** can have a connector **60**, such as a female or male luer connector (shown as female) that resides a distance away from the housing **40**, typically a length that positions an upper/outer end **60e** a distance between 3-20 inches away from the proximal end of the housing **40p**, more typically between about 6-10 inches. The needle **30** (typically only the inner capillary **31** without the outer capillary **33**, where used) can extend through the housing **40** to an internal portion of the connector **60** to be in fluid communication with the connector **60**. Tubing **65**, such as PVC tubing, can extend between a proximal end of the housing **40p** to the connector **60** about the needle **30**. The needle **30** can have a total length between the connector **60** and tip **30t** that can be at between about 10-20 inches, typically about 15.65 inches.

[00106] Referring to **Figures 3A, 3B, 4A** and **4B**, in some embodiments, the length adjustment mechanism **50** can comprise a longitudinally extending screw **50s** that resides in the housing **40** that can controllably translate in an axial direction to provide the positional adjustment of the distance between the distal end of the tubular cannula **20d** and the needle tip **30t**. However, it is contemplated that other length adjustment mechanisms may be used, such as, for example, gears such as worm gears, planetary gears, rack and pinions and the like, cams, ratchets, frictional slides, and/or linkages.

[00107] The housing **40** can include an internal, longitudinally extending threaded segment **40t** that engages threads **50t** of the length adjustment screw member **50s**. Thus, the outer wall of the housing **40w** can rotate and act as a nut to be able to threadably engage and rotate the screw **50s**. The screw **50s** can have a relatively fine pitch configuration, such as a

thread configuration of 3-48 (48 threads per inch). The screw **50s** can be a brass for MRI compatibility, but other materials may be used as well as other pitch configurations.

[00108] In the embodiment shown in **Figures 2B, 3A and 3B**, for example, an outer wall of the tubular cannula **20w** can be fixably attached to the screw **50s**, typically bonded, so that the threads form the outerwall of a portion of the tubular cannula **20w** (typically a proximal end portion of the cannula **20p**) but other fixation configurations may be used.

[00109] In some embodiments, the outerwall of the tubular cannula **20w** can have the thread pattern formed directly therein. In some embodiments, the needle **30** can be fixably attached to the screw **50s** (not shown) to allow length adjustment. In some embodiments, more than one internal screw can be used, one attached to the tubular cannula **20** and one attached to the needle **30** and separate portions of the housing **40** or members held by the housing **40** can be used to selectively move each of the cannula **20** and the needle **30** to provide adjustable exposed lengths (not shown).

[00110] Referring to **Figures 2B, 3B, 4A and 4B**, the housing **40** can have an axially extending lumen **41** and an inner, longitudinally extending wall or surface extending about the lumen **41s**, at least a longitudinally extending segment of which can be threaded **40t**, typically for a sub-length of the overall length of the housing **40** residing between the proximal and distal ends of the housing. The threads **40t** can be configured to define hard stops at fully retracted and fully extended positions which can be associated with a short linear distance of between about 0.5 inches and 1.25 inches.

[00111] The housing **40** can be manually held by a finger(s) or hand of a user during use to allow for manual rotation of the housing outer wall **40w** or other user input to the screw **50s** or may be supported by a support frame or member (not shown).

[00112] The device **10** may also include a handle body **70** held in the housing **40** that has a longitudinally extending slot **72** that allows a laterally extending pin **55** attached to the screw **50s** and/or tubular cannula **20** in the embodiment shown, to move therein. The handle body **70** and/or outer surface of the housing **40** thereat can include visual indicia of position **77** such as symmetrically spaced apart marks and/or a graduated scale, for example. The pin **55** can include a color-contrast segment **55c** (**Figure 7**) that extends across the slot **72** at or above an outer surface of a wall at the slot **72** to align with aligned spaced apart visual indicia marks **77** across the slot to facilitate visual recognition of the extended or retracted length position (distance between the needle tip **30t** and distal end of the guide cannula **20d**).

[00113] The handle body **70** can have an elongate cylindrical shape with an axially extending interior cavity surrounding the tubular cannula **20** and may be encased in the

housing **40**. The housing **40** can have a transparent or visually transmissive outer wall **40w**. The handle body **70** can have a proximal end **70p** that resides in the housing **40**, typically abutting a ledge forming a pocket **40p** (**Figures 2B, 3B**) and a larger distal end **70d** that defines the distal end of the housing **40d** allowing the tubular cannula **20** to extend therethrough when assembled (**Figures 2A, 2B, 3A and 3B**, for example).

[00114] In some embodiments, the handle body **70** can provide some or all of the internal threads **40t** that cooperate with the screw **50s**. In some embodiments, the handle body **70** is devoid of internal threads and merely allows the tubular cannula **20** and/or threaded member **50s** to longitudinally (slidably) translate closely spaced thereto in the cavity of the handle body **70**.

[00115] The handle body **70** can be attached to an innerwall of the housing **40i** (**Figures 2B, 3B**) and/or may be held in a pocket **40p** (**Figure 2B**) extending between a medial to distal end portion of the housing **40**. A support member **44** can be affixed to a distal end of the housing **40d** to lock the handle body **70** in position while allowing the lower end portion of the tubular cannula **20** to extend out from the housing. The handle body **70** can be static and can allow the pin **55** to move up and down along the slot **72** to inhibit rotation of the handle body **70** during rotation of the screw **50s**.

[00116] A proximal support member **47** can be attached at a top of the housing **40**. The proximal support member **47** can have a small rigid tubular projection that attaches to flex tubing **65** that extends a distance such as between 1-10 inches, typically about 3-8 inches, between the support member **47** and connector **60**. In other embodiments, the connector **60** can be directly attached to the end member **47** and/or housing **40** (not shown).

[00117] The support end members **44, 47** and the handle body **70** can all remain stationary during use as the outerwall **40w** is rotated. The end support members **44, 47** can capture the housing **40** therebetween, which can rotate in response to a user's direction clockwise and or counterclockwise to cause the translation and adjust the needle tip **30t** to distal end of the cannula **20** length. Thus, the wall of the housing **40** and the screw **50s** can rotate to move the tubular cannula **20** (as shown) and/or the needle **30** (not shown).

[00118] The outer wall of the housing **40w** can include an elongate bracket **42** (**Figures 2B, 4B**) that is adjacent but laterally spaced apart from the rotatable outer wall **40w** and can be attached to each end member **44, 47**.

[00119] Referring now to **Figures 3A, 3B, 5A, 5B, 5C** and **6**, for example, and in some exemplary embodiments, the needle **30** can comprise the inner capillary tube **31** and the outer capillary tube **33** and the tubes **31, 33** can be fixably attached, typically bonded

together, so that they have a fixed configuration relative to each other such that the inner capillary **31** extends about 3 mm from the distal end of the outer capillary **33**. An external polymeric conformable tube (i.e., a polyester shrink wrap tube) **35** can reside over the outer capillary tube **33** at least for a distance that can be external of the housing and/or distal end of the cannula **20d**.

[00120] The length adjustment mechanism **50** can be fixably attached (typically bonded) to the needle **30** or the tubular cannula **20**. An external polymeric conformable tube (i.e., a shrink wrap tube) **23** can reside over an exposed length of the cannula **23**, typically over a distal end thereof **20d** with the tapered end **21**. The pin **55** can also be attached (i.e., bonded) to the screw **50s** and/or tubular cannula **20**. The screw **50s** can be affixed to a proximal end portion of the tubular cannula **20p**, typically for a length between about 0.5 inches and 2 inches, more typically between about 0.75 inches and 1.1 inches, in some embodiments. The tubular cannula **20** and outer capillary **33** can terminate inside the housing **40**, typically adjacent the proximal end of the guide body **70p**. The upper end support **47** can be fixably attached (i.e., bonded) to the housing proximal end **40p** and the support tube **65** can be affixed to the end support **47**. The end support member **44** can be affixed (i.e., bonded) to the distal end portion of the handle body **70d**. The support tube **65** with inner capillary tube **31** can also be fixably attached (i.e., bonded) to the connector **60**.

[00121] Referring to **Figures 8A, 8B, 9A and 9B**, the assembly **10'** can have a length adjustment mechanism **50'** that can include an external user interface member **50i** that extends laterally outward a distance beyond the housing **40** (shown as a thumbwheel) that is attached to the housing **40**. As shown, this mechanism **50'** includes a pinion gear **151** that engages a longitudinally extending internal rack gear **150** inside the housing **40**. **Figure 8A** illustrates a retracted configuration of the needle tip **30t** and **Figure 8B** illustrates an exemplary extended position of the needle tip **30t** relative to the distal end **20d** of the tubular cannula **20**. Thus, the outer wall **40w** is not required to rotate. The rack gear **150** can be bonded or otherwise fixedly attached to the needle **30** (typically the inner capillary tube **31**). The tubular cannula **20** can be rigid and held by a distal end **40d** of the housing **40** to have a fixed length (i.e., it does not move).

[00122] Referring to **Figures 9A and 9B**, the rack gear **150** can have longitudinally extending gear teeth **150g** on one side that faces the pinion gear **151** and can have a series of longitudinally spaced apart recesses **150r** (shown as arcuate recesses) along a length of the other opposing longitudinally extending side that can slidably engage a pin **144** extending laterally inside a cavity **140c** provided by mating first and second housing members **40a, 40b**.

The housing members **40a**, **40b** can include a longitudinally extending slot **141** that cooperate to hold the rack gear **150** in position. The rack gear **150** can pull the needle **30** up and down relative to the housing and the tubular cannula **20** to adjust the position of the exposed needle tip **30t**. The rack gear **150** can optionally include alignment tabs **153** that can engage alignment slots **145** in the inner wall of one or both of the housing members **40a**, **40b**.

[00123] The rack gear **150** can be flexible (meaning it can be compressed or bent side to side or front to back using a small bending force or pressure). The rack gear **150** can have sufficient rigidity to have a self-supporting three dimensional shape but can flex in any direction when outside the housing **40**. **Figure 9C** illustrates by the arrows above the gear with an exemplary flex axis A, the gear **150** that it can bend side to side relative to the housing **40** when extended from the housing **40** with the needle **30** (typically inner capillary **30**) extending out each longitudinally extending end thereof. The rack gear **150** can comprise a polymer such as a nylon or polycarbonate and may be injection molded.

[00124] As shown by the broken line extension of the needle **30f** in **Figure 8A**, the extension of the needle **30** can be flexible and can loop and/or bend when held loose and not supported by a support member. The pinion gear **151** may also be flexible or may comprise a different material than the rack gear and may be rigid, semi-rigid or be less flexible than the rack gear **150**.

[00125] **Figures 8A**, **8B** and **9A** illustrate that the housing **40** can curve (be arcuate, concave or convex) typically having a straight segment that can optionally curve above the external length adjustment mechanism **50'** and/or pinion gear **151**. The internal slots **141** can direct the rack gear **150** to take on a conformal curved shape when it travels into this space.

[00126] **Figure 9B** shows that the housing **40** can be shorter and straight, relative to the configuration shown in **Figure 9A**, for example.

[00127] **Figure 9C**, **9F** and **9E** illustrate a needle tip **30t** to distal end of tubular cannula **20** in a retracted configuration (the needle tip **30t** is closer to the distal end of the tubular cannula **20** than in an extended configuration/position) with the gear **150** outside the housing **40** according to embodiments of the present invention. The gear **150** can be exposed but typically extends and retracts in adjacent tubing **240** (**Figure 3**) with the inner capillary **31** and/or other needle **30** and/or capillary member. The needle **30** can travel longitudinally maximally a stroke distance between extended and retracted positions between 1-6 inches, such as between 2-4 inches, while the tubular cannula **20** is fixed in its length relative to the needle and/or housing **40**.

[00128] **Figure 9D** illustrated a needle tip **30t** to distal end **20d** of the tubular cannula

in an extended configuration with the gear **150** totally inside the housing **40** and its distal end closer to the bottom member **146b** than in the position shown in **Figure 9E**, for example.

[00129] **Figures 9C-9F** also illustrate that the fluid transfer assembly **10'** can include a tube **65** that encloses the needle **30** and that extends above the housing **40** to a connector **60**, typically a luer connector as discussed above.

[00130] **Figures 9E and 9F** illustrate that the rotatable user interface member **50i** can include a drive shaft **152** that is attached to a center of the pinion **151** so that rotation of the member **50i** rotates the pinion **151**, which moves the rack gear **150** holding the needle **30**.

[00131] **Figures 9G, 9H and 9I** illustrate exemplary attachment configurations of components of the assembly **10'**. The pin **153** can be affixed, typically bonded, to the gear **150**. The proximal end of the tubular cannula **20p** can be bonded or otherwise affixed to the distal end of the housing **40d**. The gear **150** can be affixed, typically bonded, to the needle **30**, typically the inner capillary **31**. The needle **30** can extend through and out each end of the gear **150**, typically via a longitudinally extending medial slot, channel or aperture in the gear **150**. The housing members **40a, 40b** can be matably attached, typically bonded, with the gear **150** and needle **30**, typically the inner capillary **31**, therein.

[00132] The tube **65**, attached to screw **50s** and the needle **30** (i.e., inner capillary **31**) can form a unitary assembly so that the screw **50s**, tube **65** and needle **30** can move as a unit in the housing **40** to extend and retract the needle tip **30t**.

[00133] **Figures 10A, 10B, 11A and 11B** illustrate another embodiment of the assembly **10''**. In this embodiment, similar to the embodiment shown in **Figure 1A**, the outer wall **40w** of the housing **40** can rotate to engage the length adjustment mechanism **50''** which can comprise a longitudinally extending internal screw **50s**. The internal wall can comprise threads **40t** that engage the internal screw **50s** so that when a user rotates the outer wall **40w** (i.e., a cylindrical "knob"), the screw **50s** moves longitudinally up and down. In some embodiments, the screw **50s** is bonded or otherwise affixed to the needle **30** and does not rotate to move the needle **30** up and down relative to the tubular cannula **20**. The housing **40** can have upper and lower members **146u, 146b** that are static and do not rotate or move in a longitudinal direction. In operation, a user can hold onto one or both of these members **146u, 146b** and rotate the intermediate outer wall segment **40w** to move the screw **50s** up or down and therefore move the needle **30** up or down relative to the tubular cannula **20**. A proximal end of the tubular cannula **20p** can terminate inside of and typically at a distal end of the housing **40d**.

[00134] Referring to **Figure 11A**, the screw **50s** can be held by a hollow internal tubular shaft **156** that can guide the screw **50s** up and down in the housing **40**. The shaft **156** can have a wall **156** that has an open longitudinally extending segment **158**. The open segment can extend circumferentially between about 15 to about 90 degrees. The shaft **156** can connect/attach to the upper and lower stationary members **146u**, **146b**. The longitudinally extending open segment **158** can be a cut out that is keyed to a matable internal anti-rotation feature. The screw **50s** can have a radially extending key feature **50k** that can engage a slot in the housing **40** to provide anti-rotational support.

[00135] Referring again to **Figure 11A**, the upper and/or lower member **146u**, **146b** can have user-tactile engagement features **147** such as be knurled, have a raised surface pattern and/or have a larger outer dimension or feature (i.e., greater diameter, finger engagement member such as a projection or fin or body with a larger radial or lateral extent) relative to the rotatable cylindrical outer wall segment **40w** that can provide ease of user touch and hold during use.

[00136] **Figures 12A-12D** also illustrate that the fluid transfer assembly **10''** can include a tube **65** that encloses the needle **30** and that extends above the housing **40** to a connector **60**, typically a luer connector as discussed above.

[00137] Referring to **Figures 12A-12D**, the screw **50s** can reside closer the distal end of the housing **40d** when the needle tip **30t** is extended, compare, for example, **Figures 12B-12D** with the retracted configuration shown in **Figure 12A**.

[00138] **Figures 12E** and **12F** illustrate exemplary attachment configurations of components of the assembly **10''**. The tube **65** can be attached to an upper end of the screw **50s** and can reside in the support shaft **156**. The opposing ends of the support shaft **156** can be affixed to the respective upper and lower members **146u**, **146b** of the housing **40**.

[00139] Optionally, the needle **30** can travel longitudinally maximally a stroke distance between extended and retracted positions between 1-6 inches, such as between 2-4 inches, while the tubular cannula **20** is fixed in its length relative to the needle and/or housing **40**.

[00140] Referring to **Figure 13**, in some embodiments, the assembly **10**, **10'**, **10''** can be used with a length of flexible (extension) tubing **240** which may be provided as an integrated subassembly **240a**. In other embodiments, the tubing **240** can be provided as a component separate from the assembly **10**, **10'**, **10''** for assembly prior to or during a procedure. If so, the ends of the tubing **240** and/or connectors **60** and **160** may be capped or held in sterile sleeves or otherwise package to maintain sterility or cleanliness.

[00141] In some embodiments, a length of the needle **30** or a cooperating (fused silica) capillary tube **230** can be enched in the flexible tubing **240**. The length may be a short or long length. The flexible tubing **240** can protect a long length of the proximal end of the needle **30**, the length above and outside the housing **40**, or another downstream cooperating needle and/or capillary **230** attached thereto where such a configuration is used.

[00142] In some embodiments, the long needle segment **230** can be one continuous piece of fused silica glass that goes from the distal end **240d** of the tubing **240** at the connector **160** to the very proximal end **240p**, typically between about 4 feet to about 10 feet long. The tubing **240** with the capillary/needle segment **230** can be used to connect the needle **30** to the pump P (**Figure 9**) or other pressurized source and the delivery substance A can flow through the tubing **240** to the needle **30** for delivery. Further, other MRI compatible needle materials may be used. According to some embodiments, the tubing **240** is flexible PVC tubing. According to some embodiments, the tubing **240** is silicone tubing. The tubing **240** may have various lengths. For example, in some embodiments, the tubing may be between about four to about ten feet (4ft-10ft) in length, although other lengths are possible.

[00143] The tubular cannula **20** can have a rigid body. The cannula **20** may comprise alumina/ceramic that can be MRI visible. The cannula **20** can have an outer surface having a lubricious coating and/or sleeve **23**. The coating and/or sleeve can be a substantially transparent polymeric material. Where a sleeve is used, the sleeve **23** can be a thin flexible polymeric sleeve that can be conformably attached to the underlying cannula body. The coating and/or sleeve can be configured with sufficient strength to be able to retain components of the cannula should the cannula fracture. The sleeve can be an elastomeric shrink wrap or tube that can be heat-shrink applied to the underlying body.

[00144] The assembly **10**, **10'**, **10''** can be configured to flowably introduce and/or inject a desired therapy substance (e.g., antigen, gene therapy, chemotherapy or stem-cell or other therapy type).

[00145] The connector **160** can be configured as a luer lock to lock to the connector **60** and the needle/tubing **240/230** can be operatively coupled to an infusion pump **P** which supplies a mass flow of the desired substance or material to be delivered into the patient.

[00146] As shown in **Figures 14** and **15**, the tubular cannula **20** can extend through a tubular support **260** of a trajectory guide **250t** that can be held by a base or frame, e.g., a stereotactic frame that can be secured to the patient or that can be secured to a holder residing over the patient. See, e.g., U.S. Patent Nos. 8,315,689, 8,175,677 and 8,374,677 and US Patent Application Publication No. 2010/0198052 (Serial No. 12/694,865) for descriptions of

patient planning and entry protocols and frames and trajectory guides, the contents of which are hereby incorporated by reference as if recited in full herein.

[00147] In some embodiments, the needle 30 is configured to deliver a drug therapy to the brain. The drug therapy can comprise substance S (Figure 15) delivered to the target site or region A through the tubular cannula 20 and cooperating needle 30 may be any suitable and desired substance for drug discovery, animal or human clinical trials and/or approved medical procedures. According to some embodiments, the substance S is a liquid or slurry. In the case of a tumor, the substance may be a chemotherapeutic (cytotoxic) fluid. In some embodiments, the substance can include certain types of advantageous cells that act as vaccines or other medicaments (for example, antigen presenting cells such as dendritic cells). The dendritic cells may be pulsed with one or more antigens and/or with RNA encoding one or more antigen. Exemplary antigens are tumor-specific or pathogen-specific antigens. Examples of tumor-specific antigens include, but are not limited to, antigens from tumors such as renal cell tumors, melanoma, leukemia, myeloma, breast cancer, prostate cancer, ovarian cancer, lung cancer and bladder cancer. Examples of pathogen-specific antigens include, but are not limited to, antigens specific for HIV or HCV. In some embodiments, the substance S may comprise radioactive material such as radioactive seeds. Substances S delivered to a target area in accordance with embodiments of the present invention may include, but are not limited to, the following drugs (including any combinations thereof) listed in Table 1:

Table 1

DRUG (generic name)	DISORDER(S)
Caprylidene	Alzheimer's disease
Donepezil	Alzheimer's disease
Galantamine	Alzheimer's disease
Memantine	Alzheimer's disease
Tacrine	Alzheimer's disease
vitamin E	Alzheimer's disease
ergoloid mesylates	Alzheimer's disease
Riluzole	Amyotrophic lateral sclerosis
Metoprolol	Benign essential tremors
Primidone	Benign essential tremors
Propranolol	Benign essential tremors
Gabapentin	Benign essential tremors & Epilepsy
Nadolol	Benign essential tremors & Parkinson's disease
Zonisamide	Benign essential tremors & Parkinson's disease
Carmustine	Brain tumor
Lomustine	Brain tumor

DRUG (generic name)	DISORDER(S)
Methotrexate	Brain tumor
Cisplatin	Brain tumor & Neuroblastoma
Ioversol	Cerebral arteriography
Mannitol	Cerebral Edema
Dexamethasone	Cerebral Edema & Neurosarcoidosis
Baclofen	Cerebral spasticity
Ticlopidine	Cerebral thrombosis / embolism
Isoxsuprine	Cerebrovascular insufficiency
Cefotaxime	CNS infection & Meningitis
Acyclovir	Encephalitis
Foscarnet	Encephalitis
Ganciclovir	Encephalitis
interferon alpha-2a	Encephalitis
Carbamazepine	Epilepsy
Clonazepam	Epilepsy
Diazepam	Epilepsy
divalproex sodium	Epilepsy
Ethosuximide	Epilepsy
Ethotoin	Epilepsy
Felbamate	Epilepsy
Fosphenytoin	Epilepsy
Levetiracetam	Epilepsy
Mephobarbital	Epilepsy
Paramethadione	Epilepsy
Phenytoin	Epilepsy
Trimethadione	Epilepsy
Pregabalin	Epilepsy & Neuralgia
immune globulin intravenous	Guillain-Barre Syndrome
interferon beta-1b	Guillain-Barre Syndrome & Multiple sclerosis
	Guillain-Barre Syndrome & Multiple sclerosis & Neurosarcoidosis
Azathioprine	Head injury
Risperidone	Huntington's disease
Tetrabenazine	Hydrocephalus & Epilepsy
Acetazolamide	Ischemic stroke
Alteplase	Ischemic stroke
Clopidogrel	Ischemic stroke & Subarachnoid hemorrhage
Nimodipine	Ischemic stroke & Thromboembolic stroke
Aspirin	Encaphalitis
Amikacin	Encaphalitis
Ampicillin	Encaphalitis
ampicillin/sulbactam	Encaphalitis
Ceftazidime	Encaphalitis
Ceftizoxime	Encaphalitis
Cefuroxime	Encaphalitis
Chloramphenicol	Encaphalitis
cilastatin/imipenem	Encaphalitis
Gentamicin	Encaphalitis
Meropenem	Encaphalitis
Metronidazole	Encaphalitis

DRUG (generic name)	DISORDER(S)
Nafcillin	Encaphalitis
Oxacillin	Encaphalitis
Piperacillin	Encaphalitis
Rifampin	Encaphalitis
sulfamethoxazole/trimethoprim	Encaphalitis
Tobramycin	Encaphalitis
Triamcinolone	Encaphalitis
Vancomycin	Encaphalitis
Ceftriaxone	Encaphalitis & Neurosyphilis
Penicillin	Encaphalitis & Neurosyphilis
Corticotrophin	Multiple sclerosis
Dalfampridine	Multiple sclerosis
Glatiramer	Multiple sclerosis
Mitoxantrone	Multiple sclerosis
Natalizumab	Multiple sclerosis
Modafinil	Multiple sclerosis
Cyclophosphamide	Multiple sclerosis & Brain tumor & Neuroblastoma
interferon beta-1a	Multiple sclerosis & Neuritis
Prednisolone	Multiple sclerosis & Neurosarcoidosis
Prednisone	Multiple sclerosis & Neurosarcoidosis
Amantadine	Multiple sclerosis & Parkinson's disease
Methylprednisolone	Neuralgia
Desvenlafaxine	Neuralgia
Nortriptyline	Neuralgia
Doxorubicin	Neuroblastoma
Vincristine	Neuroblastoma
Albendazole	Neurocystercosis
chloroquine phosphate	Neurosarcoidosis
Hydroxychloroquine	Neurosarcoidosis
Infliximab	Neurosarcoidosis
Pentoxifylline	Neurosarcoidosis
Thalidomide	Neurosarcoidosis
Apomorphine	Parkinson's disease
Belladonna	Parkinson's disease
Benzotropine	Parkinson's disease
Biperiden	Parkinson's disease
Bromocriptine	Parkinson's disease
Carbidopa	Parkinson's disease
carbidopa/entacapone/levodopa	Parkinson's disease
carbidopa/levodopa	Parkinson's disease
Entacapone	Parkinson's disease
Levodopa	Parkinson's disease
pergolide mesylate	Parkinson's disease
Pramipexole	Parkinson's disease
Procyclidine	Parkinson's disease
Rasagiline	Parkinson's disease
Ropinirole	Parkinson's disease
Rotiotine	Parkinson's disease
Scopolamine	Parkinson's disease

DRUG (generic name)	DISORDER(S)
Tolcapone	Parkinson's disease
Trihexyphenidyl	Parkinson's disease
Seleginiline	Parkinson's disease
Rivastigmine	Parkinson's disease & Alzheimer's disease
Anisindione	Thromboembolic stroke
Warfarin	Thromboembolic stroke
5-hydroxytryptophan	Depression & Anxiety & ADHD
Duloxetine	Depression & Anxiety & Bipolar disorder
Escitalopram	Depression & Anxiety & Bipolar disorder
Venlafaxine	Depression & Anxiety & Bipolar disorder & Autism & Social anxiety disorder
Desvenlafaxine	Depression & Anxiety & PTSD & ADHD
Paroxetine	Depression & Anxiety & PTSD & Social anxiety disorder
fluoxetine/olanzapine	Depression & Bipolar disorder
l-methylfolate	Depression & BPD
Amitriptyline	Depression & PTSD
Sertraline	Depression & PTSD & Bipolar disorder & Social anxiety disorder
Fluvoxamine	Depression & PTSD & Social anxiety disorder
Olanzapine	Depression & Schizophrenia & Bipolar disorder
Paliperidone	Depression & Schizophrenia & Bipolar disorder
Aripiprazole	Depression & Schizophrenia & Bipolar disorder & Autism
Quetiapine	Depression & Schizophrenia & PTSD & BPD & Bipolar disorder
Risperidone	Depression & Schizophrenia & PTSD & BPD & Bipolar disorder & Autism
Amisulpride	Depression & Social anxiety disorder
Chlorpromazine	Psychosis
Droperidol	Psychosis
Fluphenazine	Psychosis
Periciazine	Psychosis
Perphenazine	Psychosis
Thiothixene	Psychosis
Triflupromazine	Psychosis
Haloperidol	Psychosis & Dementia
Prazosin	PTSD
Clozapine	Schizophrenia
Flupenthixol	Schizophrenia
Iloperidone	Schizophrenia
Loxapine	Schizophrenia
Mesoridazine	Schizophrenia
Promazine	Schizophrenia
Reserpine	Schizophrenia
Thioridazine	Schizophrenia
Zuclopenthixol	Schizophrenia
Asenapine	Schizophrenia & Bipolar disorder
Levomepromazine	Schizophrenia & Bipolar disorder
Ziprasidone	Schizophrenia & Bipolar disorder
Molindone	Schizophrenia & Psychosis

DRUG (generic name)	DISORDER(S)
Pimozide	Schizophrenia & Psychosis
Thioridazine	Schizophrenia & Psychosis
Cytarabine	Chemotherapy, hematological malignancies

[00148] According to some embodiments, the assembly **10**, **10'**, **10''** is configured as an infusate delivery system that is delivered to a patient at an infusion rate in the range of from about 1 to 3 $\mu\text{L}/\text{minute}$.

[00149] Insertion of the surgical tubular cannula **20** (or any other surgical, e.g., delivery, cannula) can be tracked in near real time by reference to a void in the patient tissue caused by the cannula **20** and reflected in the MR image. In some embodiments, one or more MRI-visible fiducial markers may be provided on the surgical cannula **20** or housing **40**, MR scanned and processed, and displayed on the UI. In some embodiments, the surgical cannula **20** may itself be formed of an MRI-visible material, MR scanned and processed, and displayed on the UI.

[00150] According to some embodiments, the surgical cannula **20** may include an embedded intrabody MRI antenna that is configured to pick-up MRI signals in local tissue during an MRI procedure. The MRI antenna can be configured to reside on a distal end portion of the surgical cannula. In some embodiments, the antenna has a focal length or signal-receiving length of between about 1-5 cm, and typically is configured to have a viewing length to receive MRI signals from local tissue of between about 1-2.5 cm. The MRI antenna can be formed as comprising a coaxial and/or triaxial antenna. However, other antenna configurations can be used, such as, for example, a whip antenna, a coil antenna, a loopless antenna, and/or a looped antenna. *See, e.g.*, U.S. Patent Nos. 5,699,801; 5,928,145; 6,263,229; 6,606,513; 6,628,980; 6,284,971; 6,675,033; and 6,701,176, the contents of which are hereby incorporated by reference as if recited in full herein. *See also* U.S. Patent Application Publication Nos. 2003/0050557; 2004/0046557; and 2003/0028095, the contents of which are also hereby incorporated by reference as if recited in full herein.

[00151] While the surgical cannula **20** and needle **30** have been described by way of example as delivery devices and methods for delivering a substance to a patient, in accordance with some embodiments of the invention, the cannula **20** and needle **30** and associated methods can be used to withdraw a substance (e.g., spinal fluid, cardiac fluid or neuro fluid) from a patient. Thus, it will be appreciated that the devices and methods as disclosed herein can be used to transfer a substance into and/or from a patient.

[00152] While the devices have been described herein primarily with reference to MRI-guided insertion and infusion procedures, in some embodiments the devices can be used in procedures without MRI guidance.

[00153] While the surgical tubular cannula **20** has been described in use with a trajectory guide **250t**, the cannula **20** may be used with other types of trajectory guidance or stereotactic frames or without a stereotactic frame or trajectory guide.

[00154] **Figure 14** illustrates an MRI-guided interventional system **100** with an MRI scanner **1220**, a clinician workstation **1230** with at least one circuit **1230c**, at least one display **1232**, an MRI compatible trajectory guide **250t** and a fluid transfer assembly **300** (including the assembly **10**, **10'**, **10''** and tubing **240** (**Figure 13**)). In some embodiments, the fluid exchange (i.e., delivery) assembly **300** can cooperate with an automated infusion pump **P** or, less preferably, a manual syringe, or another pressurized delivery source.

[00155] The system **100** can be configured to render or generate near real time or real time visualizations of the target anatomical space using MRI image data and predefined data of at least one surgical tool (e.g., tubular cannula **20**, housing **40** and/or trajectory guide **250t**) to segment the image data and place the trajectory guide **250t** and the cannula **20** in the rendered visualization in the correct orientation and position in 3D space (which is the MRI surgical space for MRI embodiments), anatomically registered to a patient. The trajectory guide **250t** and the cannula **20** can include or cooperate with tracking, monitoring and/or other interventional components.

[00156] An exemplary trajectory guide **250t** is illustrated in **Figure 14** in an exemplary (head) position on a patient. However, the trajectory guide can be used for any target location including, for example, the spine. The trajectory guide **250t** can be mounted over or on an object, e.g., patient or subject, so that the upper receiving tube/support column **260** (**Figure 15**) is oriented substantially perpendicular to the entry location (typically for spinal uses) or may be mounted to extend outward from the patient entry location at an angle as shown in **Figure 14**.

[00157] The trajectory guide **250t** typically provides X-Y adjustment and pitch and roll adjustment in order to accurately position the cannula **20** at a desired location within a patient. For additional discussion of examples of suitable trajectory guides, see U.S. Patent No. 8,374,677, the contents of which are hereby incorporated by reference as if recited in full herein. However, it is noted that other trajectory guide configurations may be used and embodiments of the invention are not limited by the examples of the trajectory guides herein.

[00158] According to some embodiments, the systems are configured to provide a substantially automated or semi-automated and relatively easy-to-use MRI-guided system with defined workflow steps and interactive visualizations. In particular embodiments, the systems define and present workflow with discrete steps for finding target and entry point(s), guiding the alignment of the targeting cannula to a planned trajectory, monitoring the insertion of the tubular (guide) cannula **20**, and adjusting the (X-Y) position in cases where the placement needs to be corrected. During steps where specific MR scans are used, the circuit or computer module can display data for scan plane center and angulation to be entered at the console. The workstation/circuit can passively or actively communicate with the MR scanner. The system can also be configured to use functional patient data (e.g., fiber tracks, fMRI and the like) to help plan or refine a target surgical site and/or access path.

[00159] The system **100** may also include a decoupling/tuning circuit that allows the system to cooperate with an MRI scanner **1220** and filters and the like. *See, e.g.*, U.S. Patent Nos. 6,701,176; 6,904,307 and U.S. Patent Application Publication No. 2003/0050557, the contents of which are hereby incorporated by reference as if recited in full herein.

[00160] **Figure 16** is a flow chart of exemplary actions that can be carried out according to embodiments of the present invention. A housing holding a tubular cannula with an elongate needle extending through the tubular cannula is provided so that a needle tip is external to the tubular cannula (block **400**). A screw or gear in the housing is rotated to longitudinally translate the tubular cannula and/or the needle tip out of the housing (block **410**). Adjusting, *in vivo*, a distance between the distal end of the tubular cannula and the needle tip based on the longitudinal translation (block **420**).

[00161] The housing can be attached to a length of tubing encasing a length of capillary tubing forming part of the needle that extends outside the housing that extends to a connector, the method includes connecting the connector to another connector holding fused silica capillary tubing inside a length of flexible tubing that is in fluid communication with a pump (block **430**).

[00162] A full stroke of translation can be between 0.5 inches and 2 inches or about 1.6 inches, such as about 1.25 inches (block **440**).

[00163] The needle can have a tip defined by an inner capillary tube and can be fixedly attached to an outer capillary tube that defines an increased outer wall segment a distance of 1-5 mm, typically 3 mm from the tip (block **445**).

[00164] Inserting the tubular cannula into a trajectory guide mounted to a patient and rotating the screw while the tubular cannula held in the trajectory guide (block **450**).

[00165] The rotating can be carried out by rotating an outer wall of the housing to rotate the screw (block 455).

[00166] The screw can be or gear can comprise a longitudinally extending screw attached to an outerwall of the tubular cannula and the housing has an inner wall segment with internal threads that engage the screw attached to the tubular cannula to cause the translation (block 460).

[00167] The screw or gear can comprise a longitudinally extending rack gear that is attached to the needle and that can move the needle relative to the tubular cannula in response to rotation of an external thumb wheel that rotates a pinion that engages the rack gear (block 462).

[00168] The cannula and needle can be an infusate ventricular delivery system for brain delivery of a target substance to a target anatomical region (block 465). For example, the device can be configured to allow a single intrabody insertion of the needle 30 to a target anatomical region in the brain (such as tissue generally in-line with and between the nose and back of the head and, starting dispensing/infusing from the back of the head while translating the needle frontward to treat a large volume through one intrabody insertion of the needle).

[00169] The foregoing is illustrative of the present invention and is not to be construed as limiting thereof. Although a few exemplary embodiments of this invention have been described, those skilled in the art will readily appreciate that many modifications are possible in the exemplary embodiments without materially departing from the teachings and advantages of this invention. Accordingly, all such modifications are intended to be included within the scope of this invention as defined in the claims. The invention is defined by the following claims, with equivalents of the claims to be included therein.

THAT WHICH IS CLAIMED IS:

1. A surgical assembly for transferring fluid to or from a subject, comprising:
a tubular cannula having opposing proximal and distal ends with an open axially extending lumen;
an elongate needle having opposing proximal and distal ends, wherein a length of the needle extends through the tubular cannula lumen so that the distal end of the needle with a tip extends out of the distal end of the distal end of the tubular cannula to provide an exposed needle tip; and
a housing comprising opposing proximal and distal ends, wherein the housing holds the tubular cannula with the needle with the tubular cannula and needle extending out of the distal end of the housing, wherein the housing comprises an internal length adjustment mechanism that is attached to one or both of the tubular cannula and the needle that adjusts a length between the distal end of the tubular cannula and the exposed tip of the needle.
2. The assembly of Claim 1, wherein the housing has a length from about 1 inch to about 6 inches and comprises an external rotatable member or a rotatable cylindrical outer wall that engages the length adjustment mechanism to move at least one of the needle or the tubular cannula longitudinally.
3. The assembly of Claim 1, wherein the housing comprises an external thumbwheel that engages an internal gear that is attached to the tubular cannula or the needle to longitudinally move the tubular cannula or the needle to adjust the length.
4. The assembly of Claim 1, wherein the length adjustment mechanism comprises an internal screw, and wherein the housing comprises a rotatable outer wall, and wherein, in response to rotation of the outer wall of the housing, the internal screw longitudinally translates to adjust the length between the distal end of the tubular cannula and the exposed tip of the needle.
5. The assembly of Claim 4, wherein the needle has a stroke distance of between about 0.5 inches and 3 inches and has a proximal end that resides inside the housing or that extends a length outside a proximal end of the housing.

6. The assembly of Claim 1, wherein the housing holds a longitudinally extending screw in the housing that is in communication with the rotatable outer wall that can move longitudinally in response to the rotation of the outer wall to adjust the length between the distal end of the tubular cannula and the needle tip.

7. The assembly of Claim 1, wherein the needle comprises an inner capillary tube that extends a distance above the proximal end of the housing and through the housing to the needle tip to define the needle tip, the assembly further comprising a luer connector attached to the inner capillary tube above the proximal end of the housing.

8. The assembly of Claim 7, further comprising flexible tubing encasing the inner capillary tube, attached to a proximal end of the housing and the luer connector.

9. The assembly of Claim 1, wherein the elongate needle comprises fused silica glass and the distal end of the needle has a stepped configuration with a first segment having a first outer diameter that merges into a second end segment having a second smaller outer diameter having a length that extends to the tip of the needle, and the needle tip extends out of the tubular cannula an adjustable distance of between about 2 mm to about 30 mm.

10. The assembly of Claim 9, wherein the tubular cannula has an outer polymeric coating and/or sleeve, and wherein the distal end of the tubular cannula is tapered so that it has a smaller outer diameter at a tip relative to an outer diameter rearward of the tip, and wherein the tubular cannula proximal end terminates inside the housing.

11. The assembly of Claim 10, wherein the tubular cannula comprises a ceramic material and a conformal outer polymeric sleeve, and wherein the needle comprises an inner capillary tube bonded to an outer capillary tube to define at least first and second co-axially disposed segments having different outer diameters, with a smallest sized outer diameter of the first segment extending to a tip thereof, and wherein the outer capillary tube comprises a conformal outer polymeric sleeve residing at least at an interface between the distal end of the tubular cannula and the outer capillary tube to contact an inner surface of the tubular cannula when retracted therein to thereby inhibit fluid intake thereat.

12. The assembly of Claim 1, wherein an outer surface of the tubular cannula has

a size and geometry adapted for use with a stereotactic frame with a trajectory guide having a support column sized and configured to releasably hold the tubular cannula so that the housing resides above the support column, and wherein the needle has an inner diameter of between about 100 μm to about 750 μm .

13. The assembly of Claim 11, wherein the outer capillary tube terminates inside the housing while the inner capillary tube extends out of the housing proximal end.

14. The assembly of Claim 1, wherein the length adjustment mechanism comprises a flexible rack gear that has sufficient rigidity to have a self-supporting three dimensional shape but that can flex in any direction when outside the housing.

15. A surgical assembly for intrabody fluid transfer, comprising:
a tubular cannula having opposing proximal and distal ends with an open axially extending lumen;
an elongate needle having opposing proximal and distal ends, wherein a length of the needle extends through the tubular cannula lumen so that the distal end of the needle with a tip extends out of the distal end of the distal end of the tubular cannula to provide an exposed needle tip;
a housing comprising opposing proximal and distal ends and a rotatable external member or a rotatable outer wall that holds the tubular cannula with the needle with the tubular cannula and needle extending out of the distal end of the housing; and
a length adjustment mechanism in communication with the rotatable external member or the rotatable outer wall that moves the needle or the tubular cannula longitudinally to extend and retract the distal end of the needle relative to the tubular cannula, wherein the rotatable external member or the rotatable outer wall is configured to cooperate with the length adjustment mechanism to adjust a length between the distal end of the tubular cannula and the exposed tip of the needle.

16. The assembly of Claim 15, wherein the housing comprises opposing proximal and distal ends and a longitudinally extending internal channel with an inner wall comprising threads and a longitudinally extending screw that define the length adjustment mechanism.

17. The assembly of Claim 15, wherein the length adjustment mechanism

comprises a pinion gear in communication with the rotatable external member and a longitudinally extending rack gear that engages the pinion gear that moves the needle or the tubular cannula longitudinally without rotation of the needle or the tubular cannula.

18. The assembly of Claim 15, wherein the needle comprises an inner capillary tube that extends a distance above the proximal end of the housing and through the housing to the needle tip to define the needle tip, the assembly further comprising a luer connector attached to the inner capillary tube above the proximal end of the housing.

19. The assembly of Claim 15, wherein the length adjustment mechanism comprises a flexible rack gear that has sufficient rigidity to have a self-supporting three dimensional shape but that can flex in any direction when outside the housing.

20. A method of transferring a substance to and/or from a patient, the method comprising:

providing a housing having opposing proximal and distal ends, the housing holding a proximal end of a tubular cannula therein with a distal end of the tubular cannula extending out of the housing, the tubular cannula having an axially extending interior lumen holding an elongate needle with a length sufficient to have a tip of the needle outside the distal end of the tubular cannula and an upper end extending out of the proximal end of the housing;

inserting the distal end of the tubular cannula and needle into a patient; then transferring a substance to or from a target site through a needle lumen at the tip of the needle; and

adjusting a length between the distal end of the tubular cannula and needle tip during the transferring action.

21. The method of Claim 20, wherein the needle is an infusion needle, and wherein the transferring the substance to or from the target site is carried out by infusing a substance.

22. The method of Claim 20, wherein the target site is the brain, and wherein the inserting, transferring and adjusting steps are carried out while the patient is in a magnetic field of an MRI Scanner.

23. The method of Claim 20, wherein the adjusting is carried out by extending the needle a distance out of a distal end of the tubular cannula while the tubular cannula is held at a fixed length by rotating an outer wall of the housing.

24. The method of Claim 20, wherein the adjusting is carried out by extending the needle a distance out of a distal end of the tubular cannula while the tubular cannula is held at a fixed length by rotating an outer thumbwheel to rotate a pinion gear to rotate a longitudinally extending rack gear held inside the housing with the rack gear fixedly attached to the needle.

25. The method of Claim 20, wherein the adjusting the length is carried out using a length adjustment mechanism comprising a flexible rack gear fixedly attached to a sub-length of the needle above the distal end of the housing, and wherein the method comprises bending the rack gear away when exposed to the environment outside the housing while holding a length of the needle therein during the adjusting step.

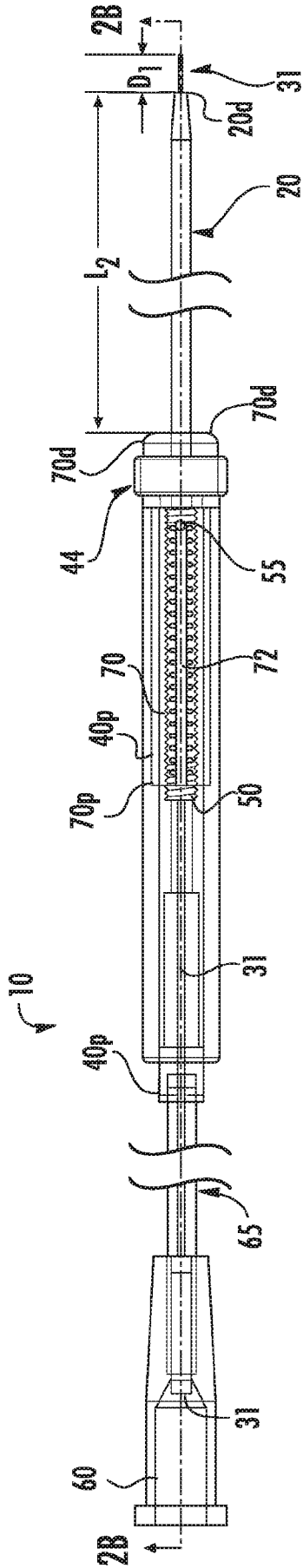


FIG. 2A

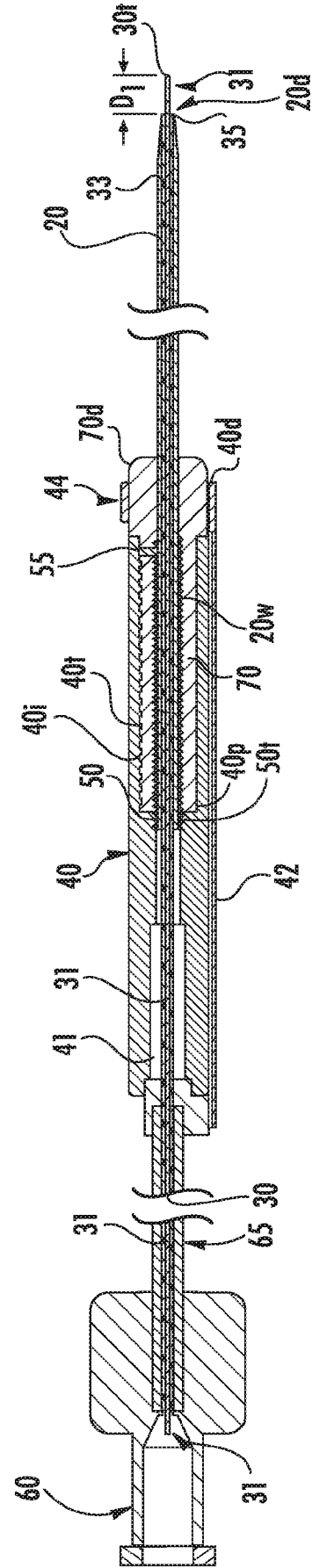


FIG. 2B

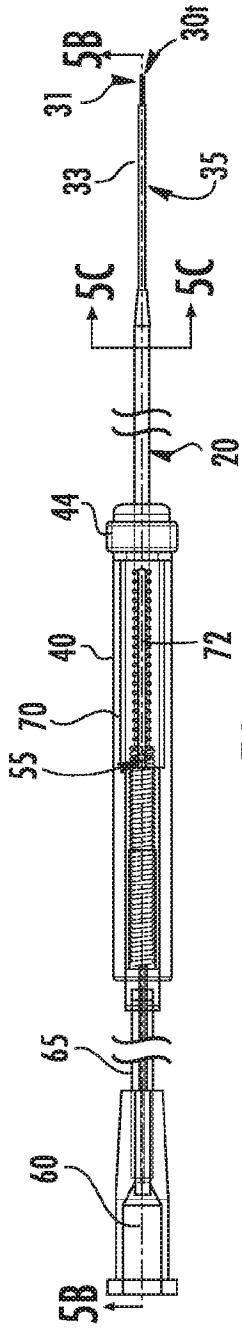


FIG. 5A

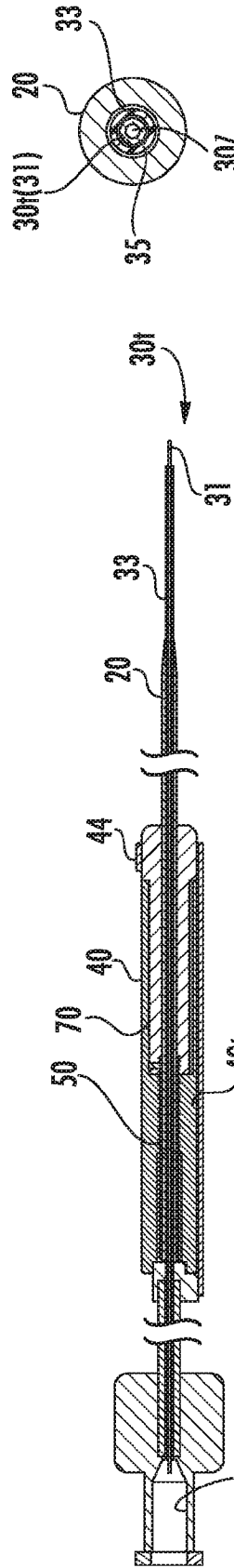


FIG. 5B

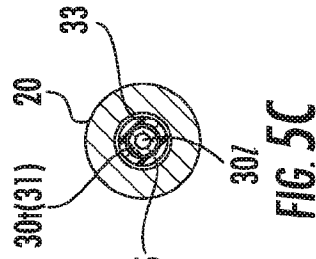


FIG. 5C

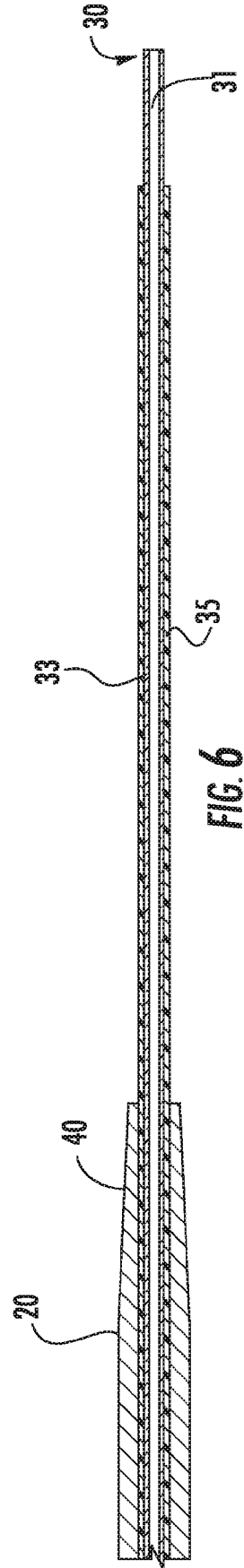


FIG. 6

6/25

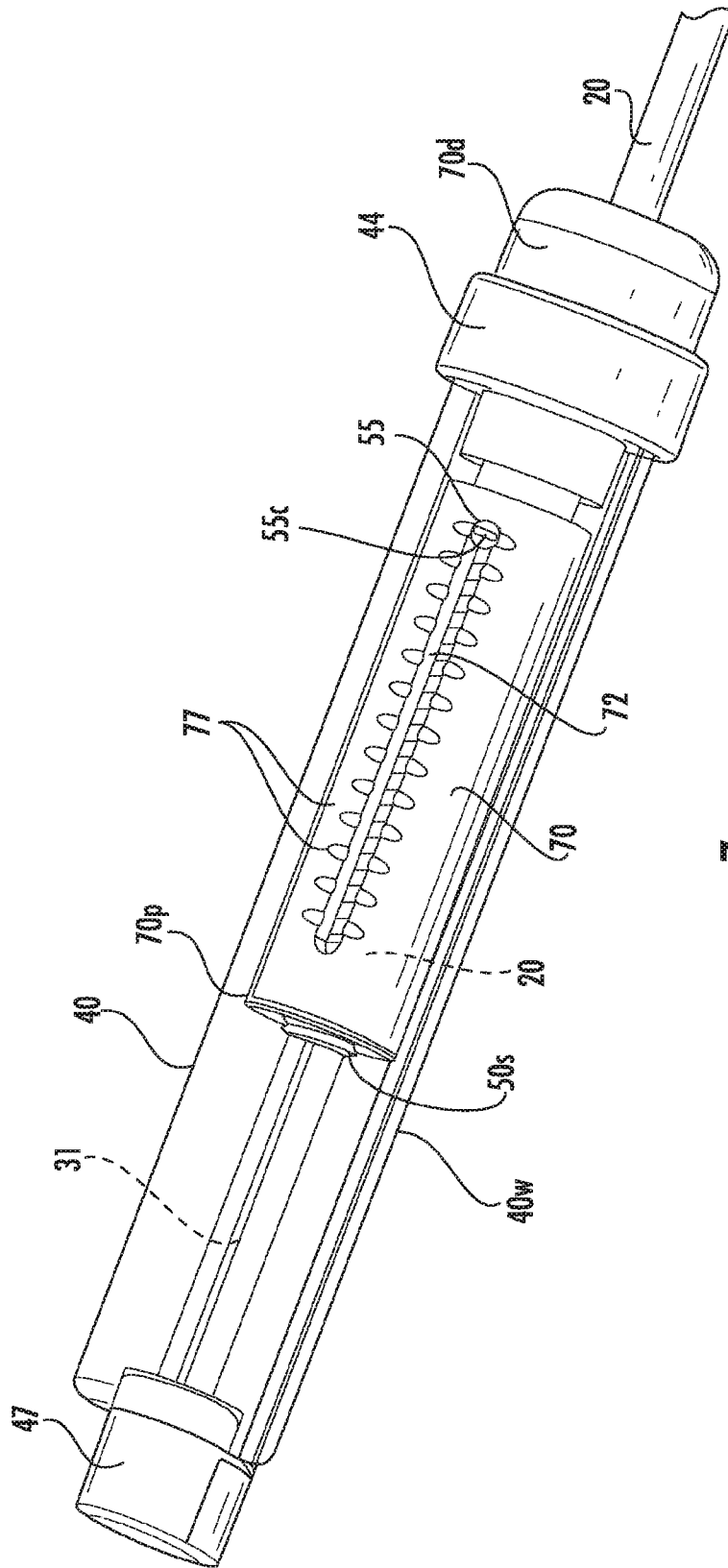


FIG. 7

7/25

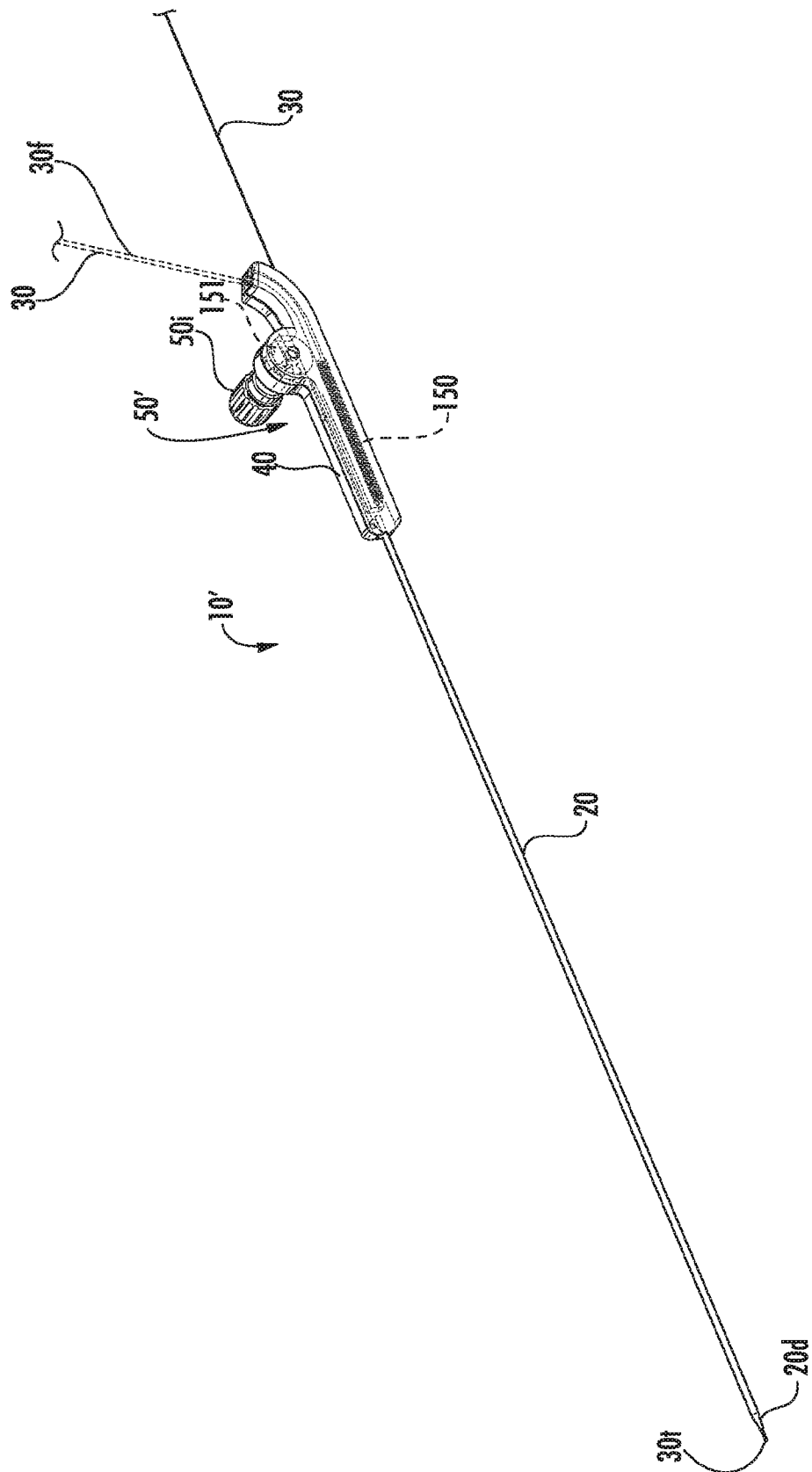


FIG. 8A

8/25

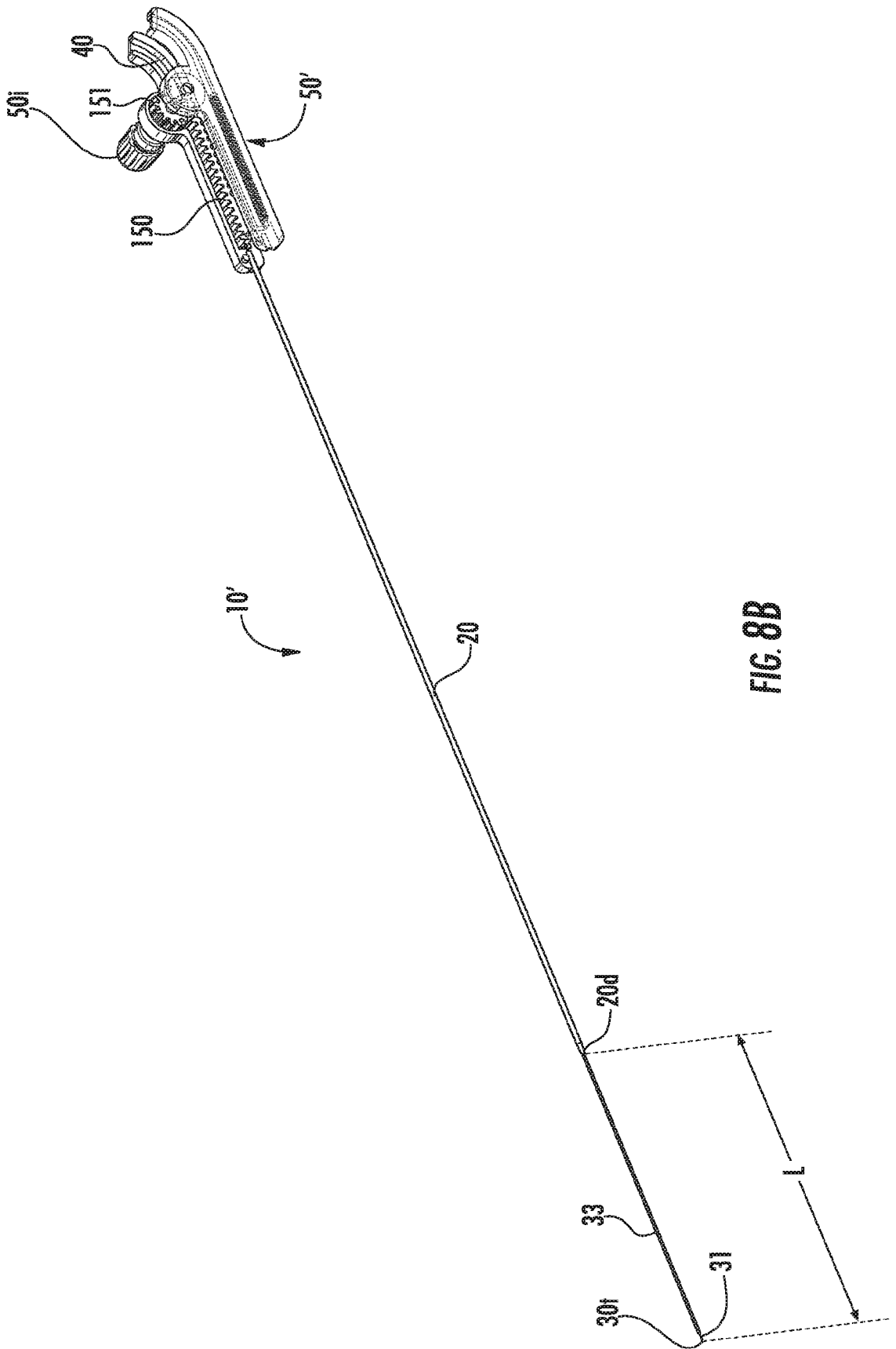


FIG. 8B

10/25

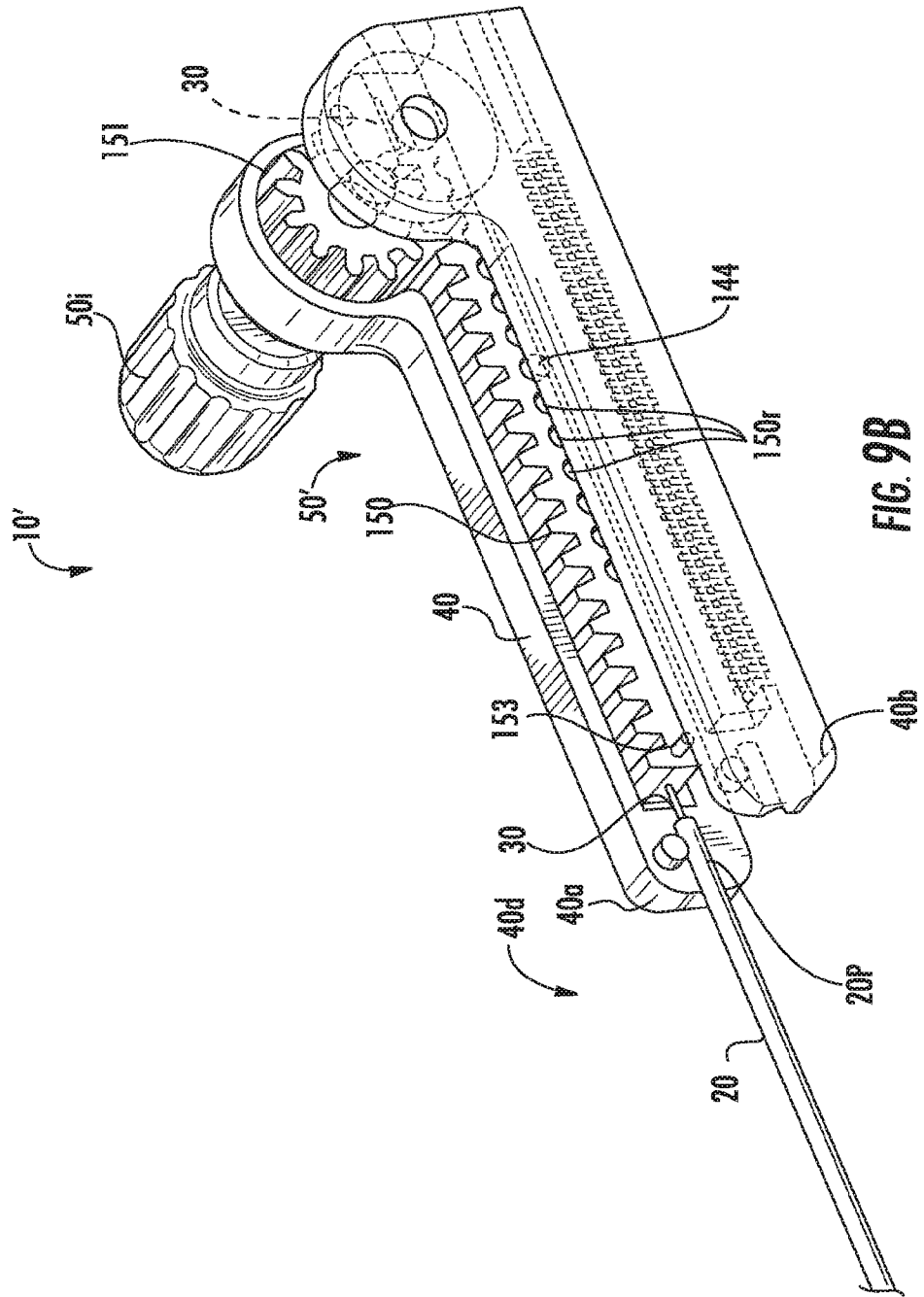
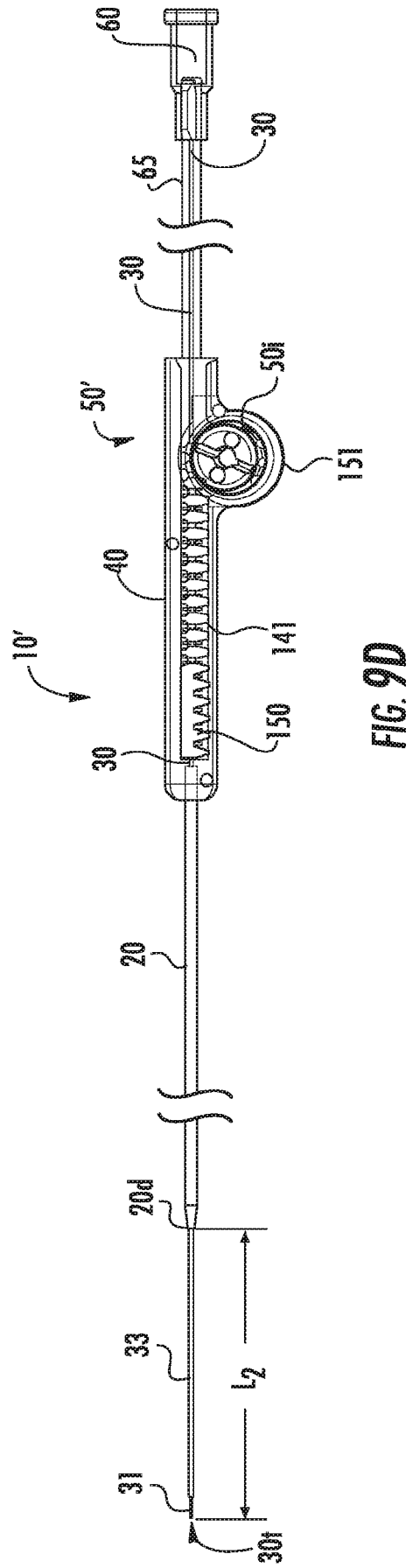
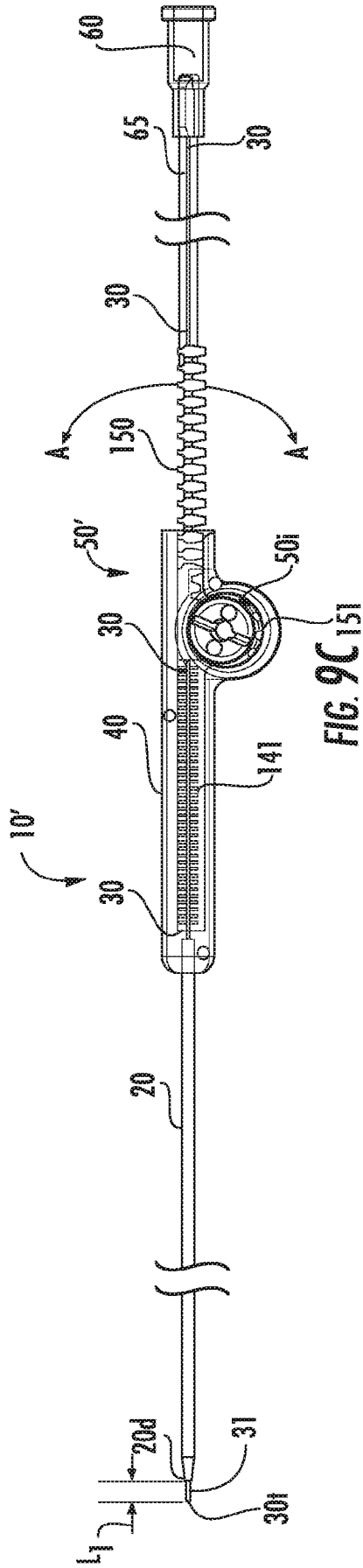


FIG. 9B

11/25



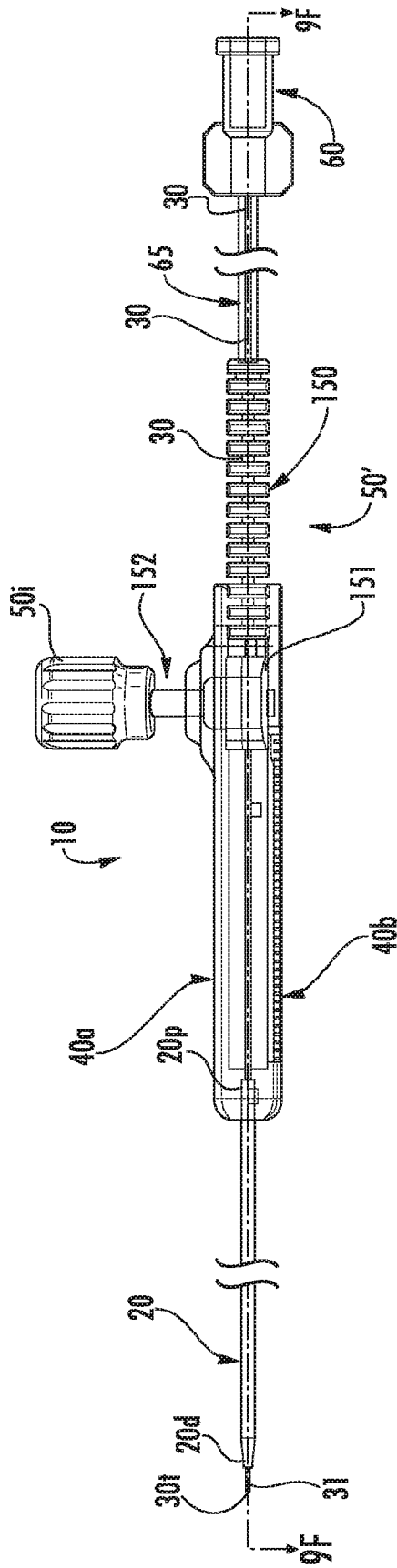


FIG. 9E

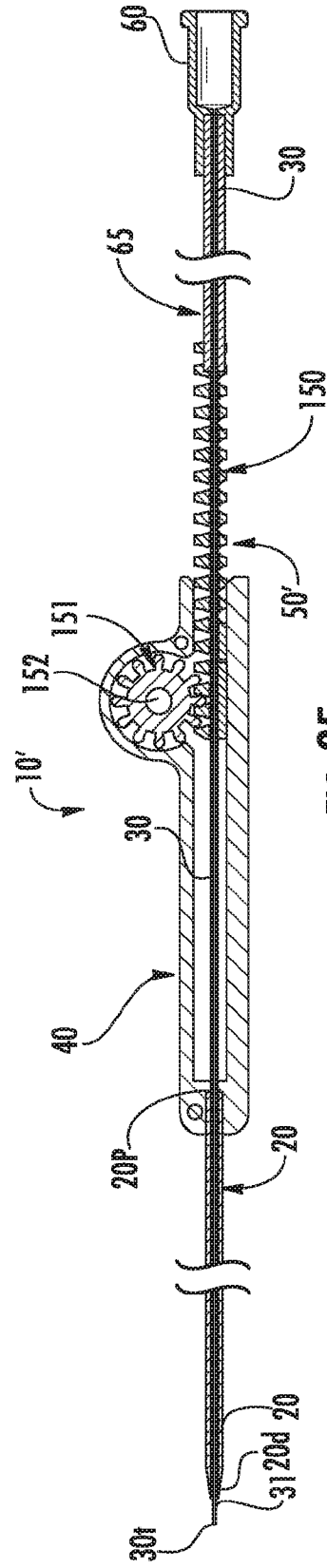


FIG. 9F

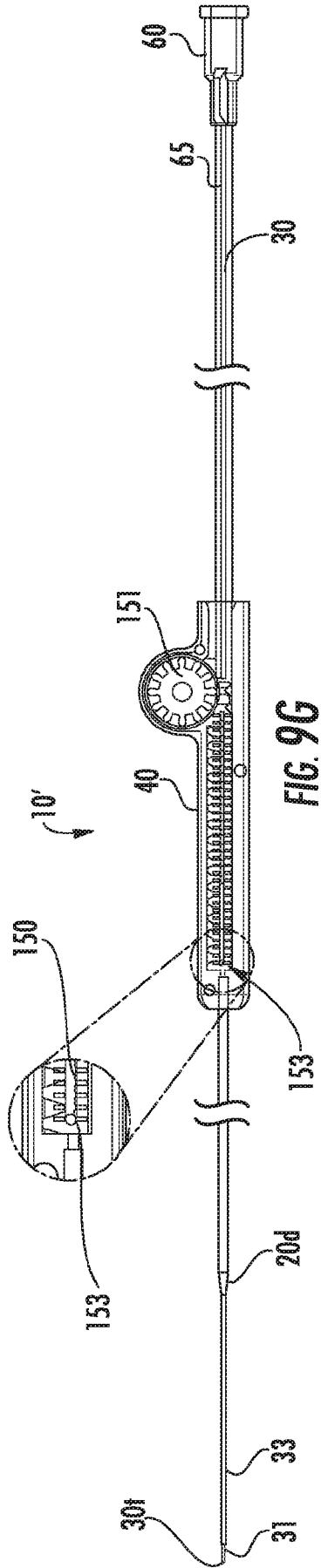


FIG. 9G

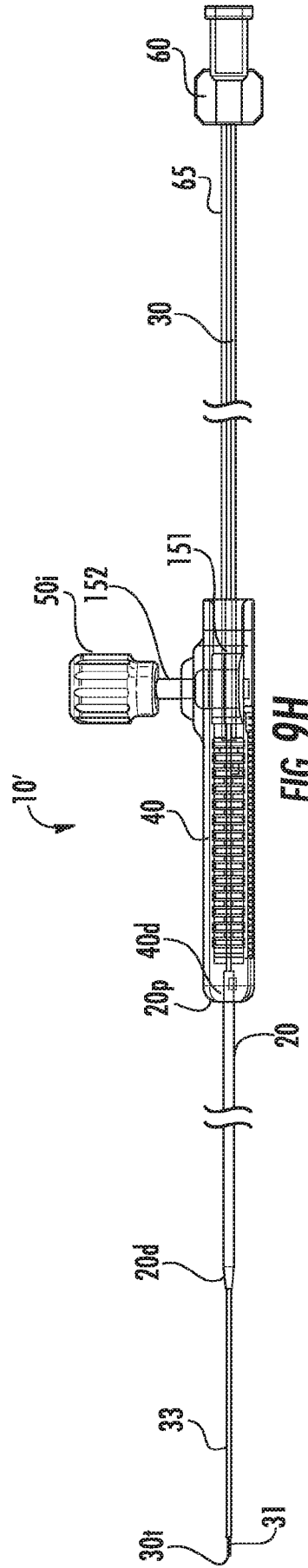


FIG. 9H

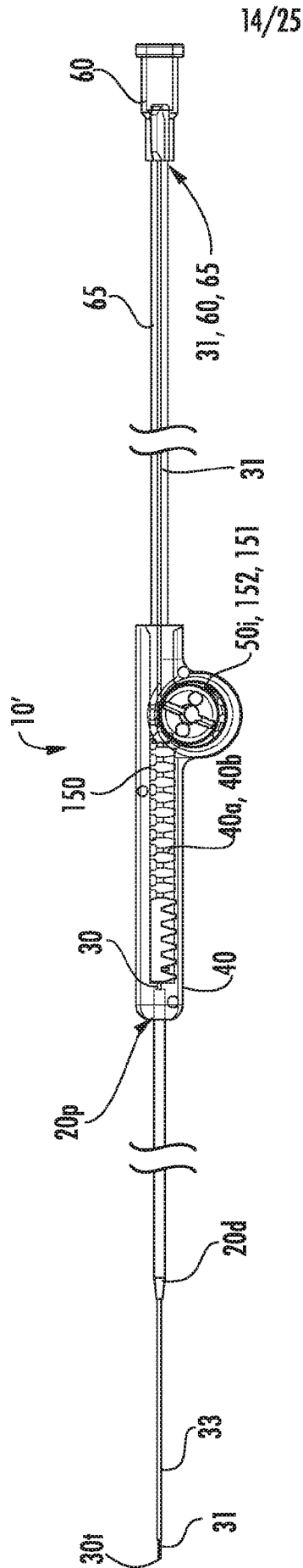


FIG. 91

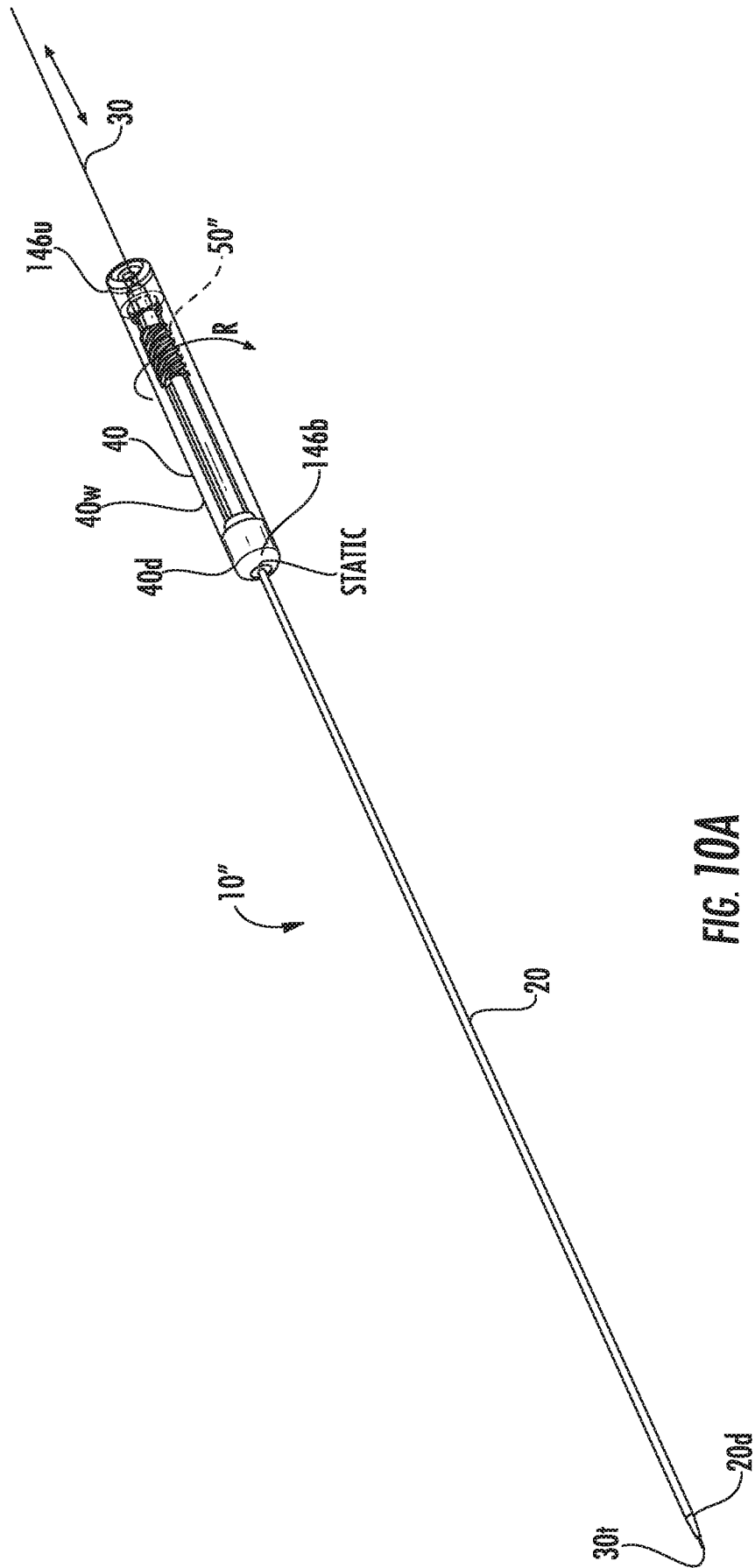


FIG. 10A

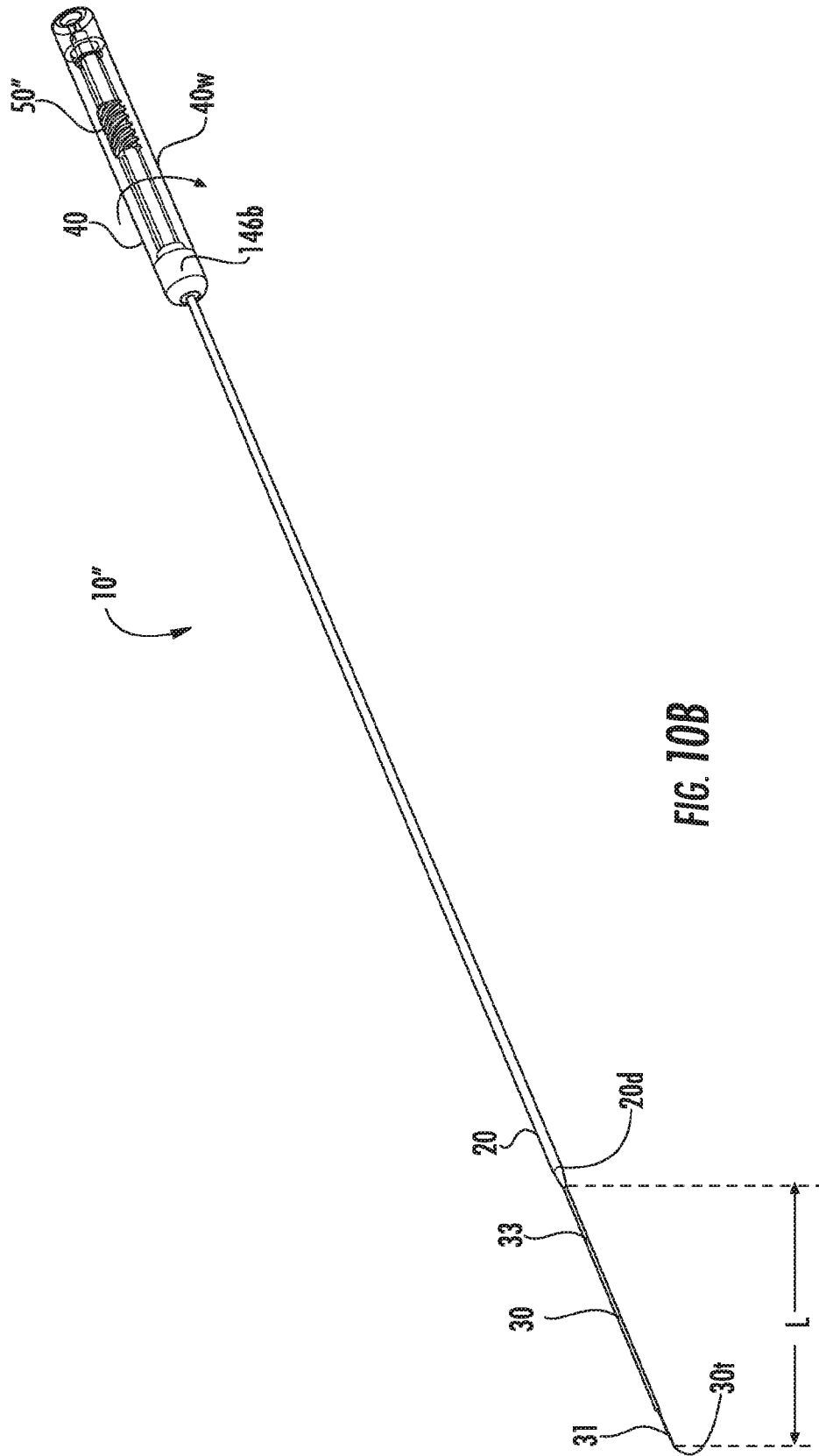


FIG. 10B

17/25

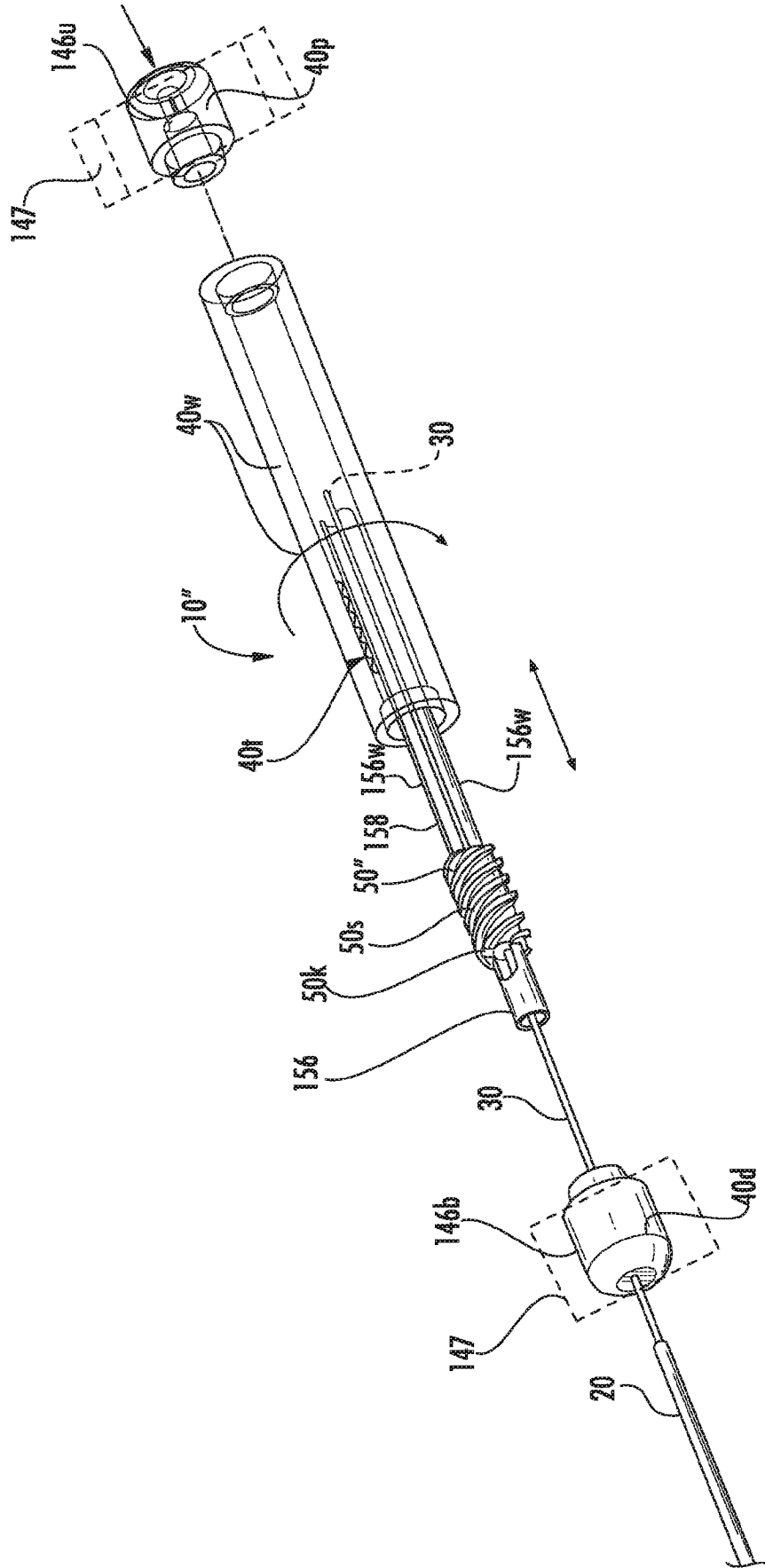


FIG. 17A

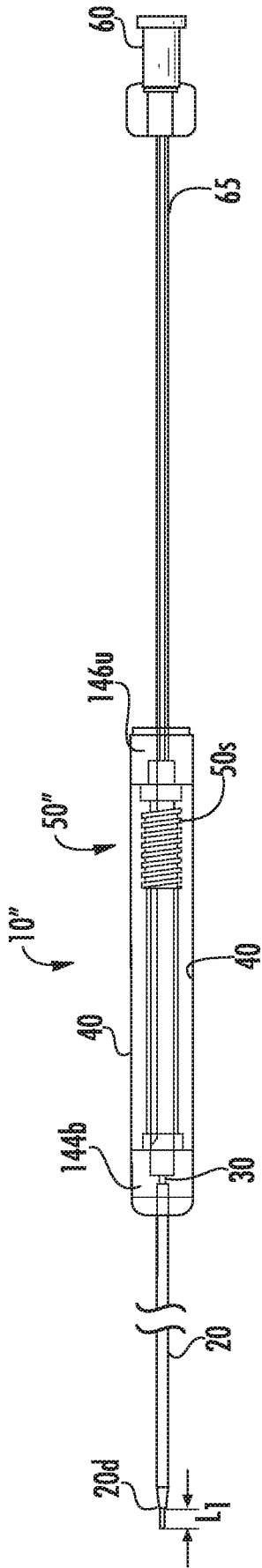


FIG. 12A

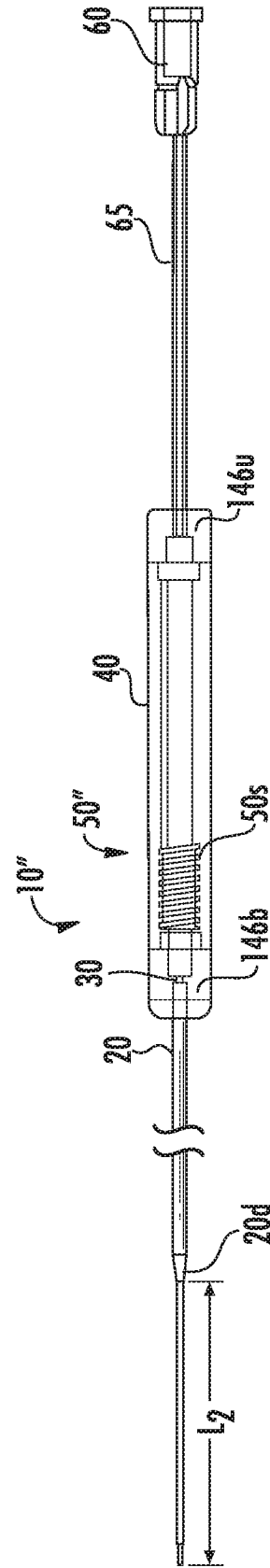


FIG. 12B

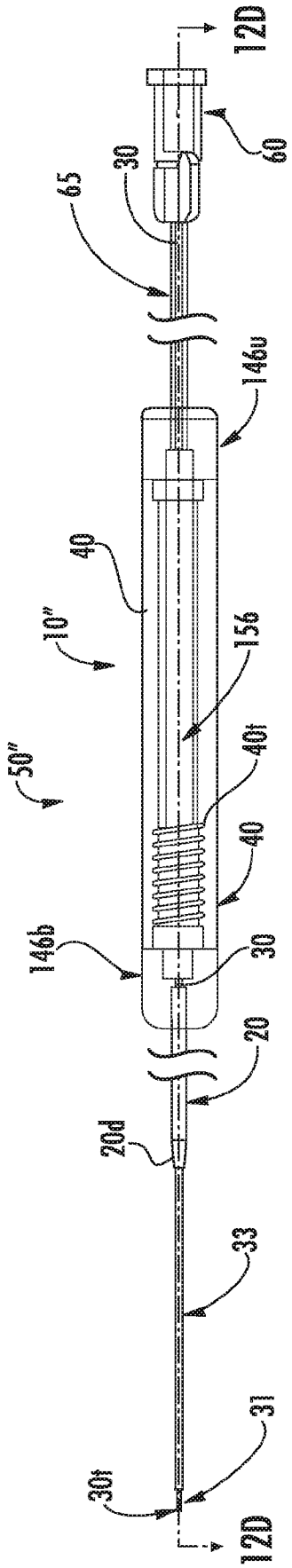


FIG. 12C

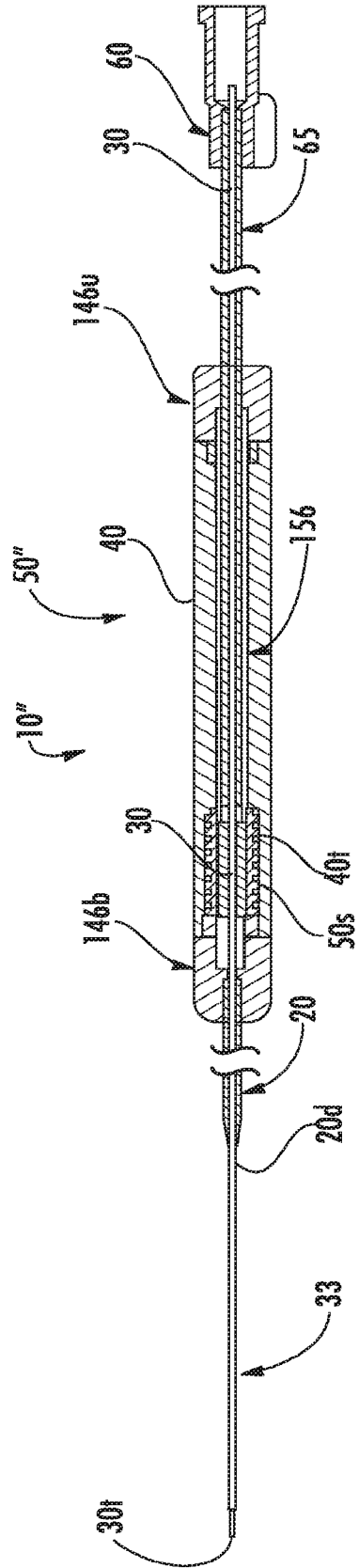
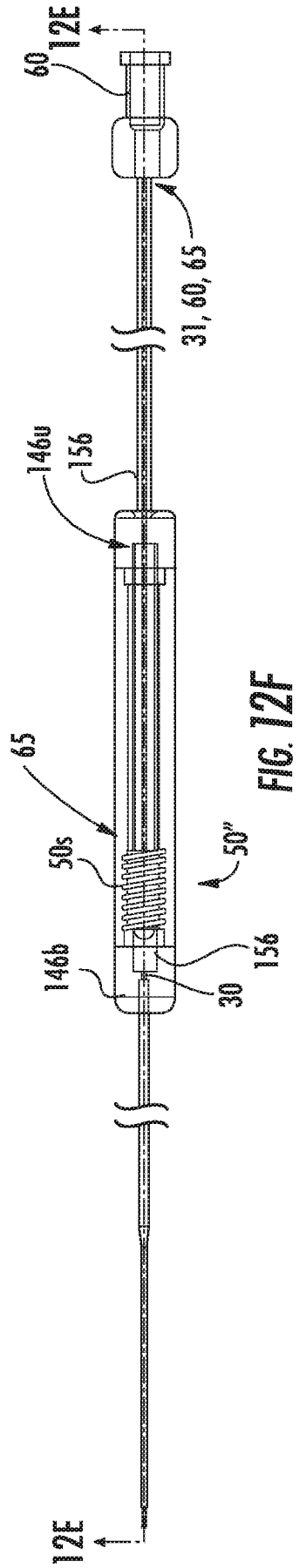
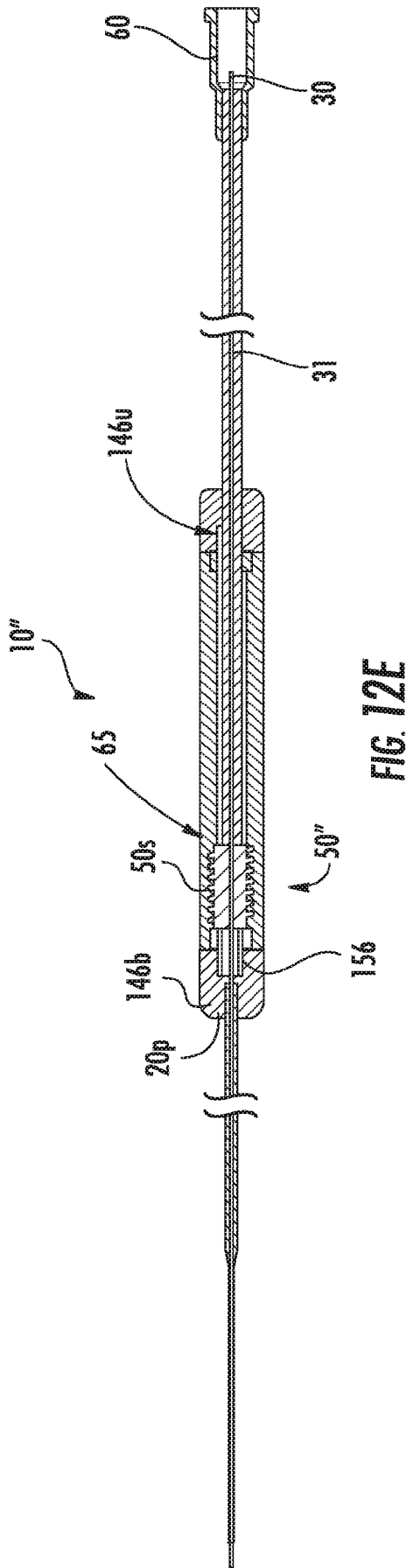


FIG. 12D



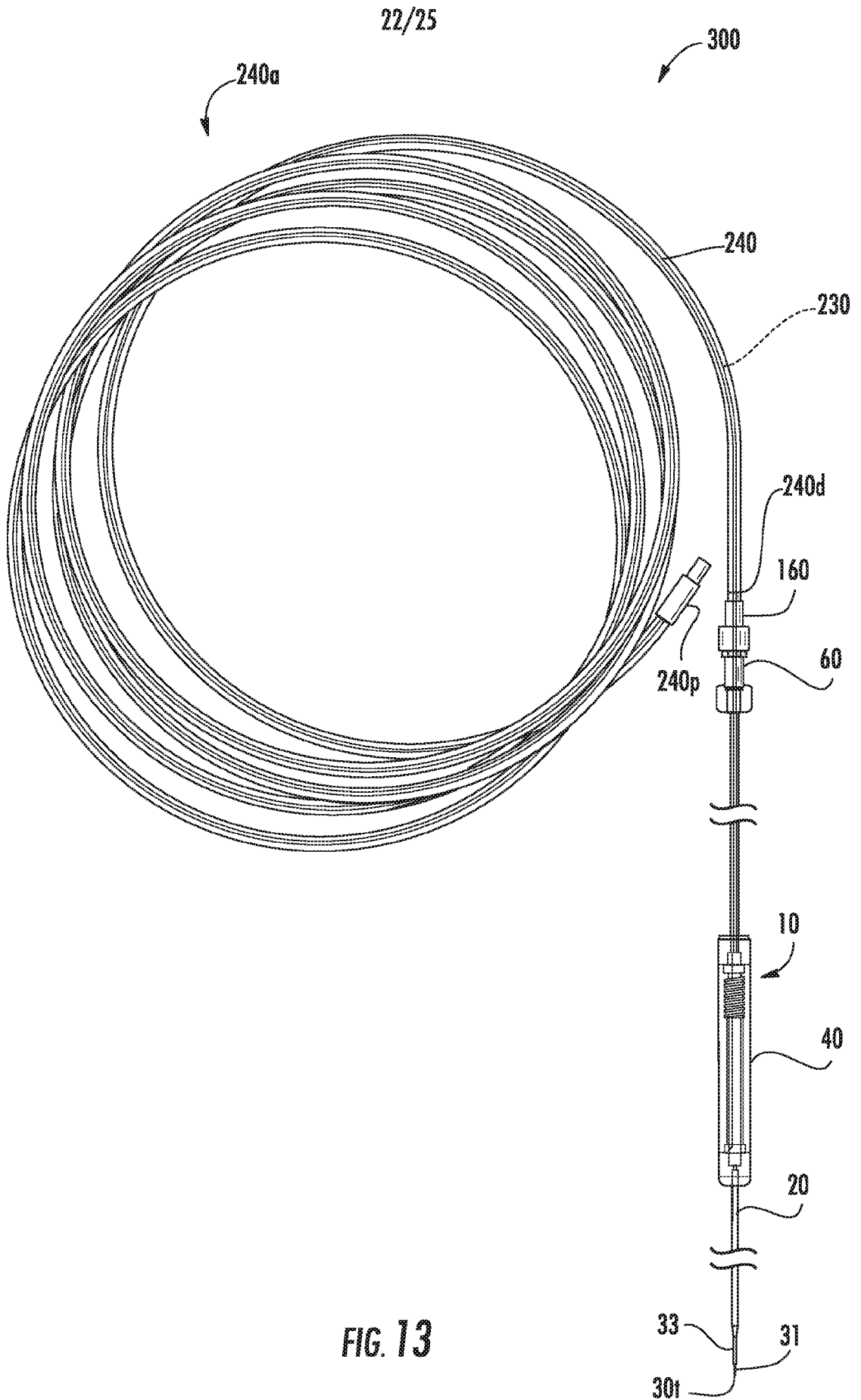
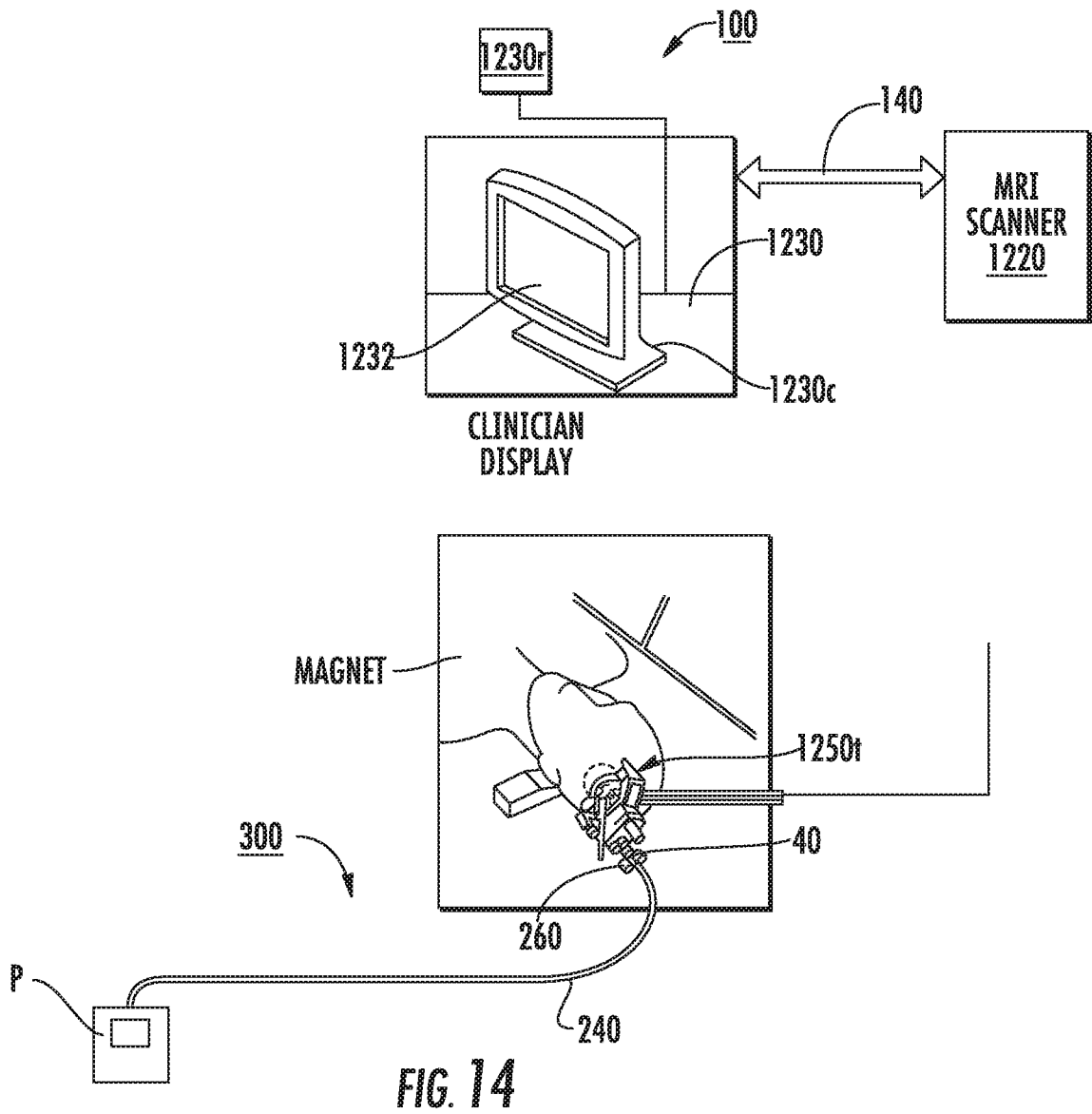


FIG. 13



24/25

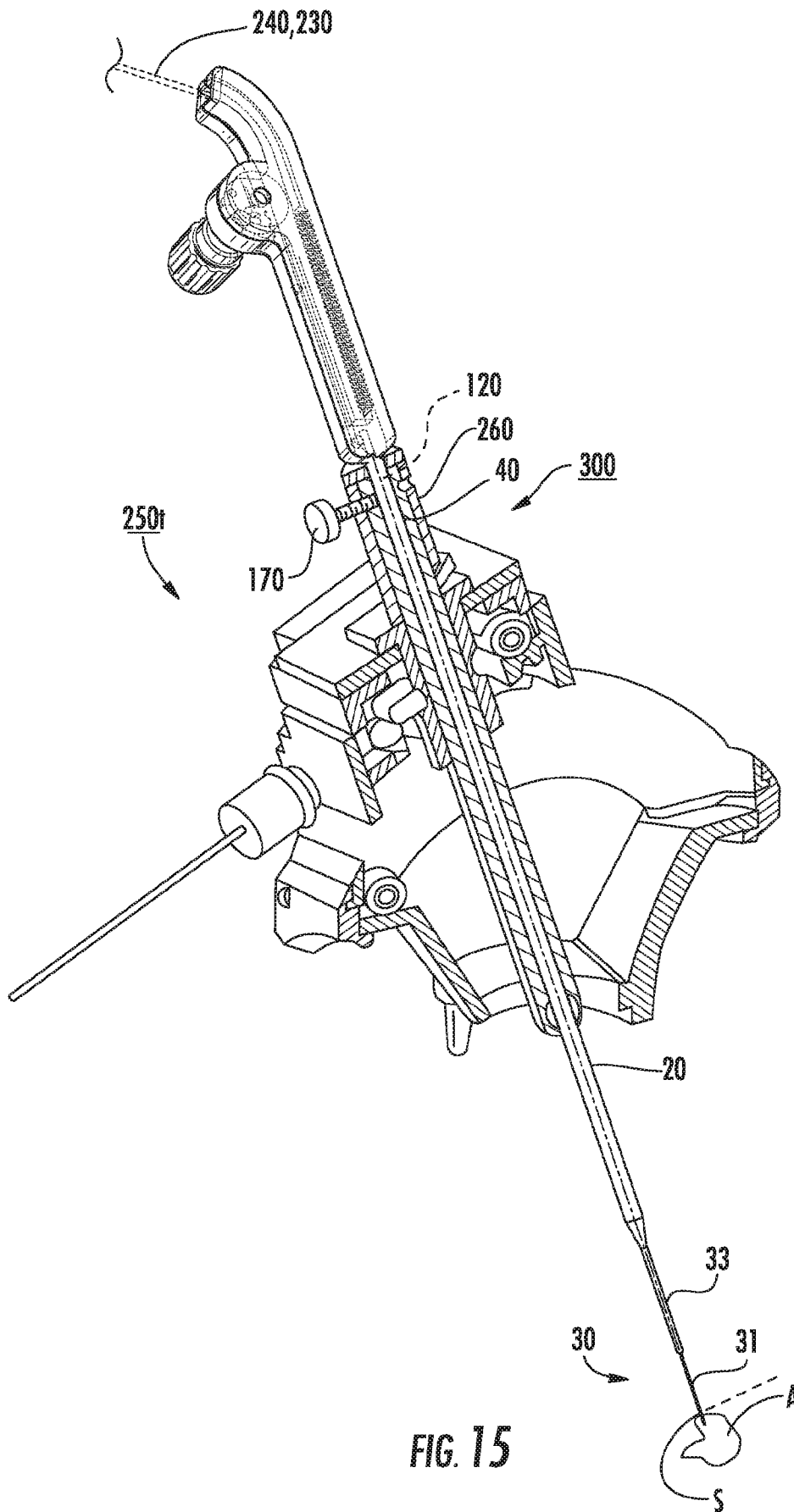


FIG. 15

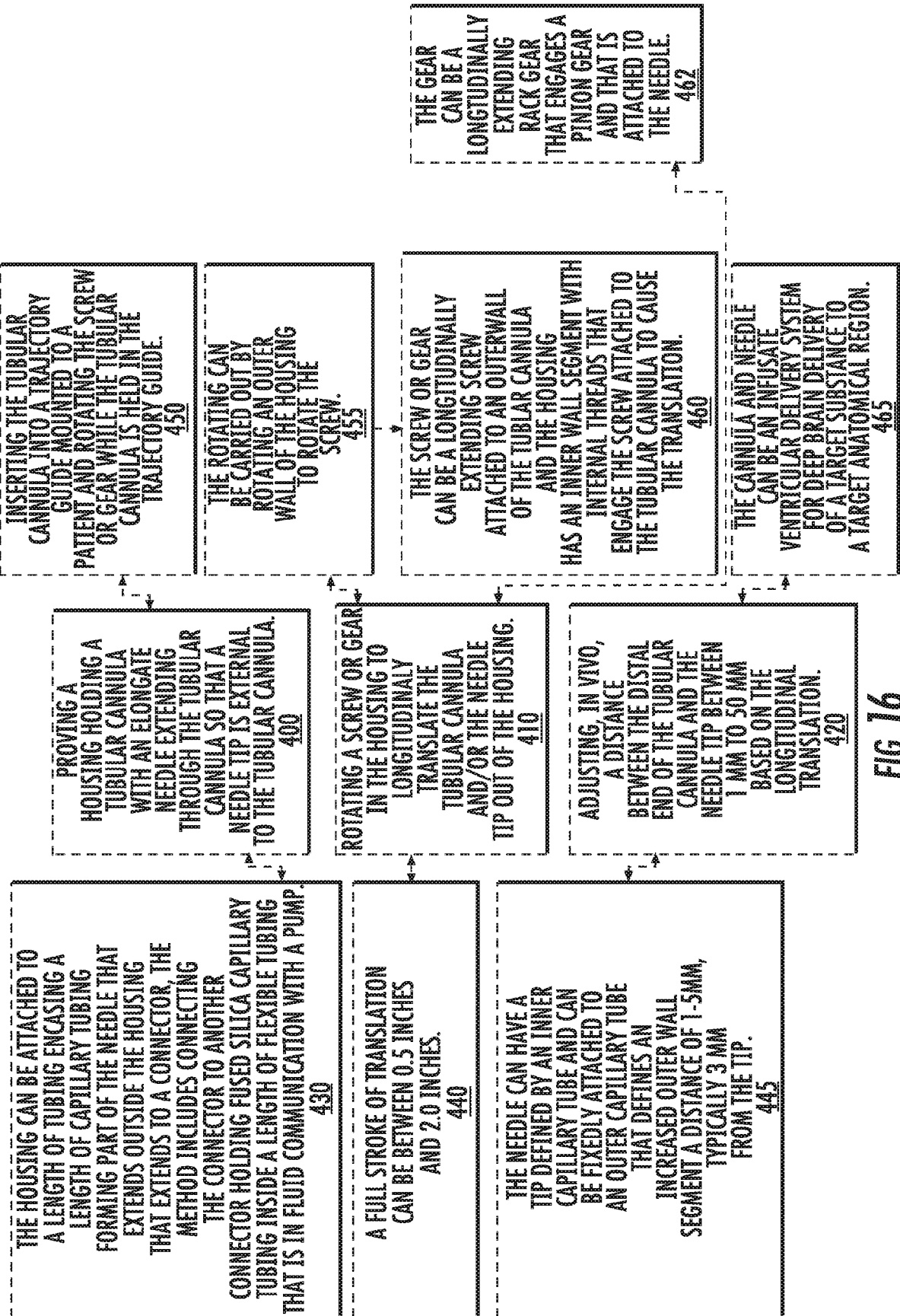


FIG. 16

INTERNATIONAL SEARCH REPORT

International application No
PCT/US2017/015581

A. CLASSIFICATION OF SUBJECT MATTER INV. A61M25/00 ADD.		
According to International Patent Classification (IPC) or to both national classification and IPC		
B. FIELDS SEARCHED		
Minimum documentation searched (classification system followed by classification symbols) A61M		
Documentation searched other than minimum documentation to the extent that such documents are included in the fields searched		
Electronic data base consulted during the international search (name of data base and, where practicable, search terms used) EP0-Internal, WPI Data		
C. DOCUMENTS CONSIDERED TO BE RELEVANT		
Category*	Citation of document, with indication, where appropriate, of the relevant passages	Relevant to claim No.
X	US 6 585 694 B1 (SMITH KEVIN W [US] ET AL) 1 July 2003 (2003-07-01) abstract claims 1-15 figures 1-9	1-19
X	----- WO 2014/089373 A1 (UNIV ROCHESTER [US]) 12 June 2014 (2014-06-12) abstract figures 1a-4b	1-19
X	----- US 5 380 292 A (WILSON DONALD [US]) 10 January 1995 (1995-01-10) abstract figures 1-4	1-19
	-----	-/--
<input checked="" type="checkbox"/> Further documents are listed in the continuation of Box C. <input checked="" type="checkbox"/> See patent family annex.		
* Special categories of cited documents :		
"A" document defining the general state of the art which is not considered to be of particular relevance "E" earlier application or patent but published on or after the international filing date "L" document which may throw doubts on priority claim(s) or which is cited to establish the publication date of another citation or other special reason (as specified) "O" document referring to an oral disclosure, use, exhibition or other means "P" document published prior to the international filing date but later than the priority date claimed	"T" later document published after the international filing date or priority date and not in conflict with the application but cited to understand the principle or theory underlying the invention "X" document of particular relevance; the claimed invention cannot be considered novel or cannot be considered to involve an inventive step when the document is taken alone "Y" document of particular relevance; the claimed invention cannot be considered to involve an inventive step when the document is combined with one or more other such documents, such combination being obvious to a person skilled in the art "&" document member of the same patent family	
Date of the actual completion of the international search <p align="center">17 May 2017</p>	Date of mailing of the international search report <p align="center">31/05/2017</p>	
Name and mailing address of the ISA/ European Patent Office, P.B. 5818 Patentlaan 2 NL - 2280 HV Rijswijk Tel. (+31-70) 340-2040, Fax: (+31-70) 340-3016	Authorized officer <p align="center">Türkavci, Levent</p>	

INTERNATIONAL SEARCH REPORT

International application No PCT/US2017/015581

C(Continuation). DOCUMENTS CONSIDERED TO BE RELEVANT

Category*	Citation of document, with indication, where appropriate, of the relevant passages	Relevant to claim No.
X	WO 2008/144775 A1 (BIOSENSE WEBSTER INC [US]; BIRCHARD CHRISTOPHER J [US]) 27 November 2008 (2008-11-27) abstract claims figures 1-8 -----	1-19

INTERNATIONAL SEARCH REPORT

International application No.
PCT/US2017/015581

Box No. II Observations where certain claims were found unsearchable (Continuation of item 2 of first sheet)

This international search report has not been established in respect of certain claims under Article 17(2)(a) for the following reasons:

1. Claims Nos.: 20-25
because they relate to subject matter not required to be searched by this Authority, namely:
see FURTHER INFORMATION sheet PCT/ISA/210
2. Claims Nos.:
because they relate to parts of the international application that do not comply with the prescribed requirements to such an extent that no meaningful international search can be carried out, specifically:
3. Claims Nos.:
because they are dependent claims and are not drafted in accordance with the second and third sentences of Rule 6.4(a).

Box No. III Observations where unity of invention is lacking (Continuation of item 3 of first sheet)

This International Searching Authority found multiple inventions in this international application, as follows:

1. As all required additional search fees were timely paid by the applicant, this international search report covers all searchable claims.
2. As all searchable claims could be searched without effort justifying an additional fees, this Authority did not invite payment of additional fees.
3. As only some of the required additional search fees were timely paid by the applicant, this international search report covers only those claims for which fees were paid, specifically claims Nos.:
4. No required additional search fees were timely paid by the applicant. Consequently, this international search report is restricted to the invention first mentioned in the claims; it is covered by claims Nos.:

Remark on Protest

- The additional search fees were accompanied by the applicant's protest and, where applicable, the payment of a protest fee.
- The additional search fees were accompanied by the applicant's protest but the applicable protest fee was not paid within the time limit specified in the invitation.
- No protest accompanied the payment of additional search fees.

FURTHER INFORMATION CONTINUED FROM PCT/ISA/ 210

Continuation of Box II.1

Claims Nos.: 20-25

Rule 39.1(iv) PCT - Method for treatment of the human or animal body by therapy The method according to independent method claim 20 defines a method for treatment of the human body by therapy because it claims a method of inserting a cannula into a patient and transferring a substance to a target site. So the International Searching Authority is not required to perform a search regarding claim 20 and related dependent claims 21-25 (Rule 35 and 39.1 (iv) PCT).

INTERNATIONAL SEARCH REPORT

Information on patent family members

International application No PCT/US2017/015581

Patent document cited in search report	Publication date	Patent family member(s)	Publication date
US 6585694	B1	01-07-2003	NONE
WO 2014089373	A1	12-06-2014	US 2015265344 A1 24-09-2015
			WO 2014089373 A1 12-06-2014
US 5380292	A	10-01-1995	AT 170763 T 15-09-1998
			AU 672341 B2 26-09-1996
			CA 2137973 A1 23-06-1995
			DE 69413188 D1 15-10-1998
			DE 69413188 T2 04-02-1999
			EP 0659447 A2 28-06-1995
			JP 2695123 B2 24-12-1997
			JP H07194704 A 01-08-1995
			US 5380292 A 10-01-1995
WO 2008144775	A1	27-11-2008	US 2009099513 A1 16-04-2009
			WO 2008144775 A1 27-11-2008