



US00D724899S

(12) **United States Design Patent**
Feller

(10) **Patent No.:** **US D724,899 S**

(45) **Date of Patent:** **** Mar. 24, 2015**

(54) **COOKIE DUNK CUP**

(71) Applicant: **Awkward Engineer Creations, LLC,**
Somerville, MA (US)

(72) Inventor: **Sam Feller,** Somerville, MA (US)

(73) Assignee: **Awkward Engineer Creations, LLC,**
Somerville, MA (US)

(**) Term: **14 Years**

(21) Appl. No.: **29/464,709**

(22) Filed: **Aug. 20, 2013**

(51) **LOC (10) Cl.** **07-01**

(52) **U.S. Cl.**
USPC **D7/558; D7/509; D7/537**

(58) **Field of Classification Search**
USPC D7/509, 523, 532, 524, 533, 536, 525,
D7/529, 624.2, 607, 566, 558, 537, 531,
D7/691; 215/374, 377; 220/703, 704,
220/592.16, 592.17; 229/128; D34/1;
D11/153

See application file for complete search history.

(56) **References Cited**

U.S. PATENT DOCUMENTS

3,045,855 A * 7/1962 Lipman 215/377
D199,461 S * 10/1964 Dolby D9/716

D217,001 S * 3/1970 Stove D7/524
D240,286 S * 6/1976 Sarpaneva D7/509
D259,776 S * 7/1981 Waterfield D11/153
D266,135 S * 9/1982 Husted D7/540
D454,758 S * 3/2002 Lack D7/524
D541,590 S * 5/2007 Wasserman et al. D7/558
D542,097 S * 5/2007 Wasserman et al. D7/566
D694,066 S * 11/2013 Volkov D7/507
D701,731 S * 4/2014 McClellan D7/524

* cited by examiner

Primary Examiner — Marianne Pandozzi

(74) *Attorney, Agent, or Firm* — Hayes Soloway PC

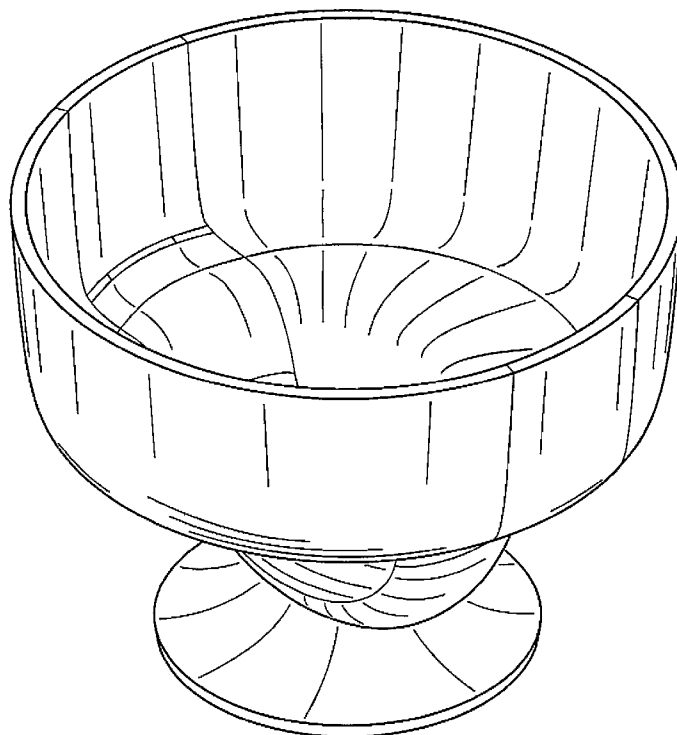
(57) **CLAIM**

I claim the ornamental design for a cookie dunk cup, as shown and described.

DESCRIPTION

FIG. 1 is an upper perspective view of a cookie dunk cup showing my new design;
FIG. 2 is a first side view thereof;
FIG. 3 is a second side view thereof;
FIG. 4 is a top view thereof;
FIG. 5 is a bottom view thereof;
FIG. 6 is a cross-sectional view thereof, taken along line 6:6 of FIG. 2;
FIG. 7 is a cross-sectional view thereof, taken along line 7:7 of FIG. 3; and,
FIG. 8 is a lower perspective view thereof.

1 Claim, 8 Drawing Sheets



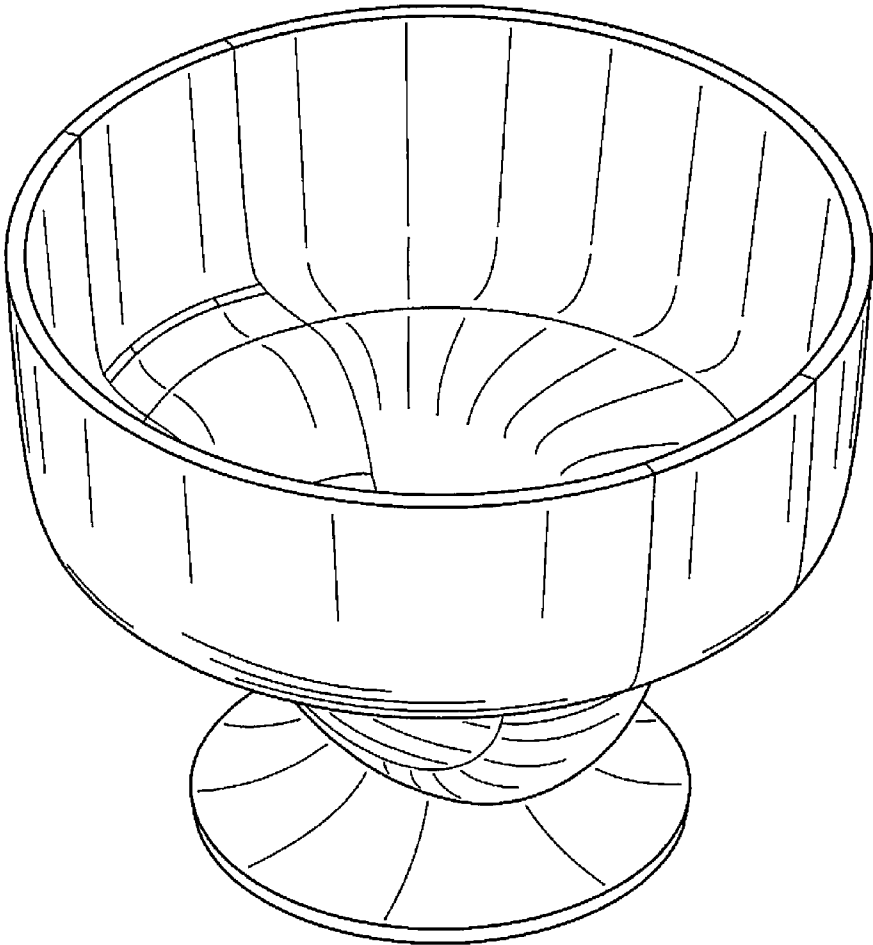


FIG. 1

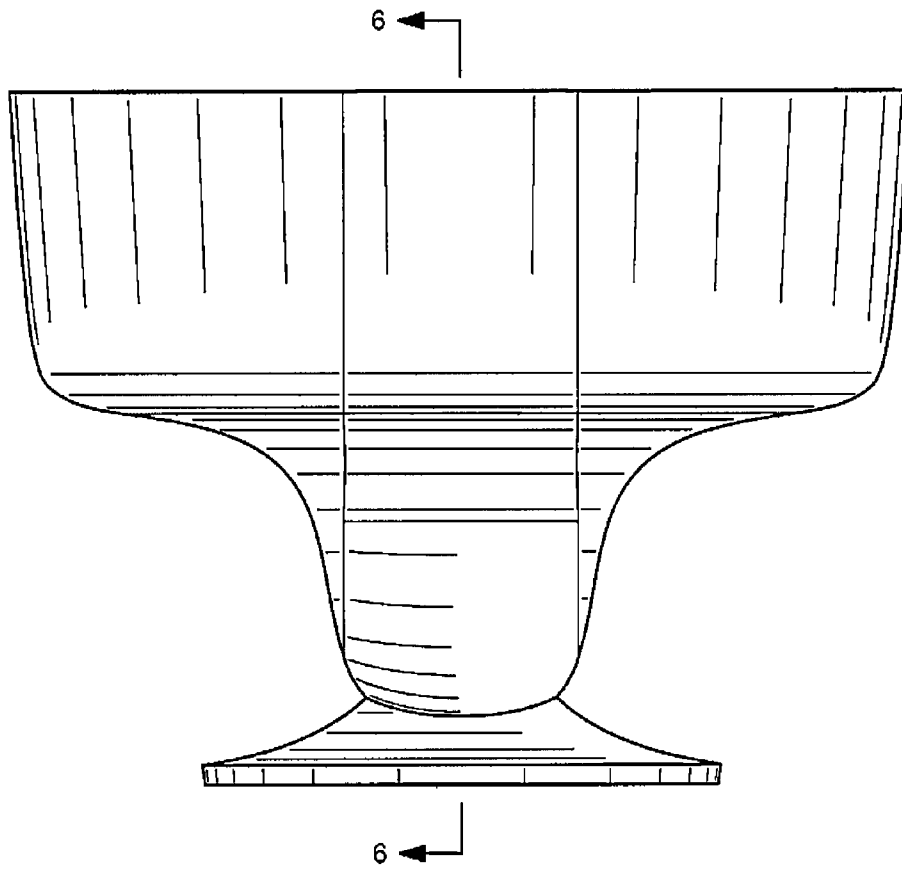


FIG. 2

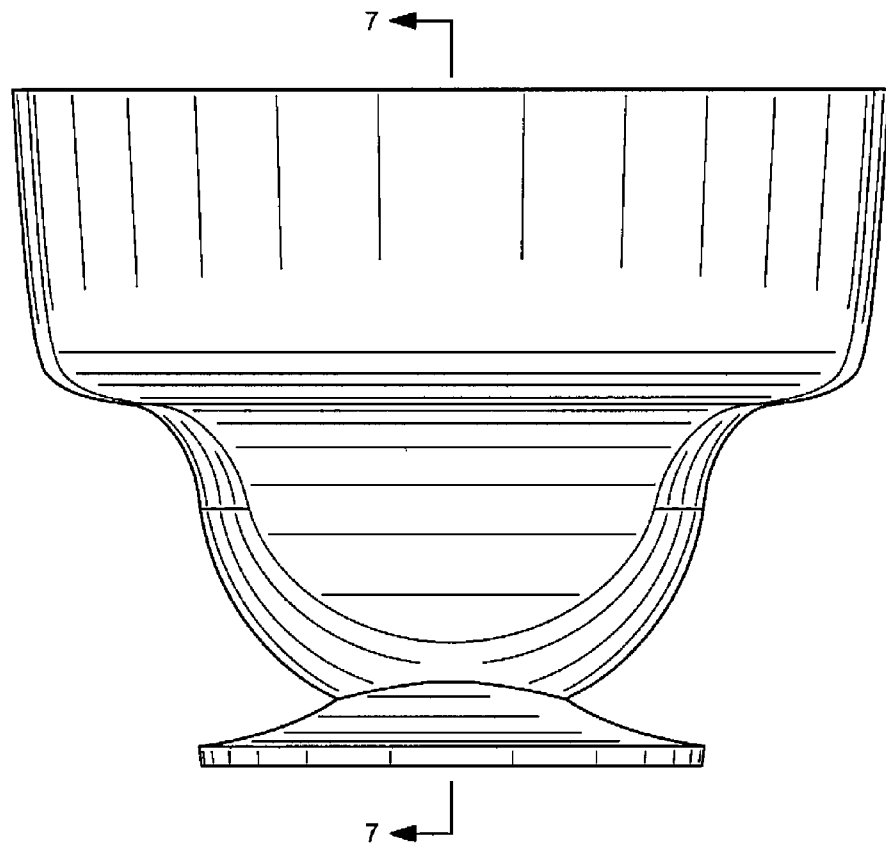


FIG. 3

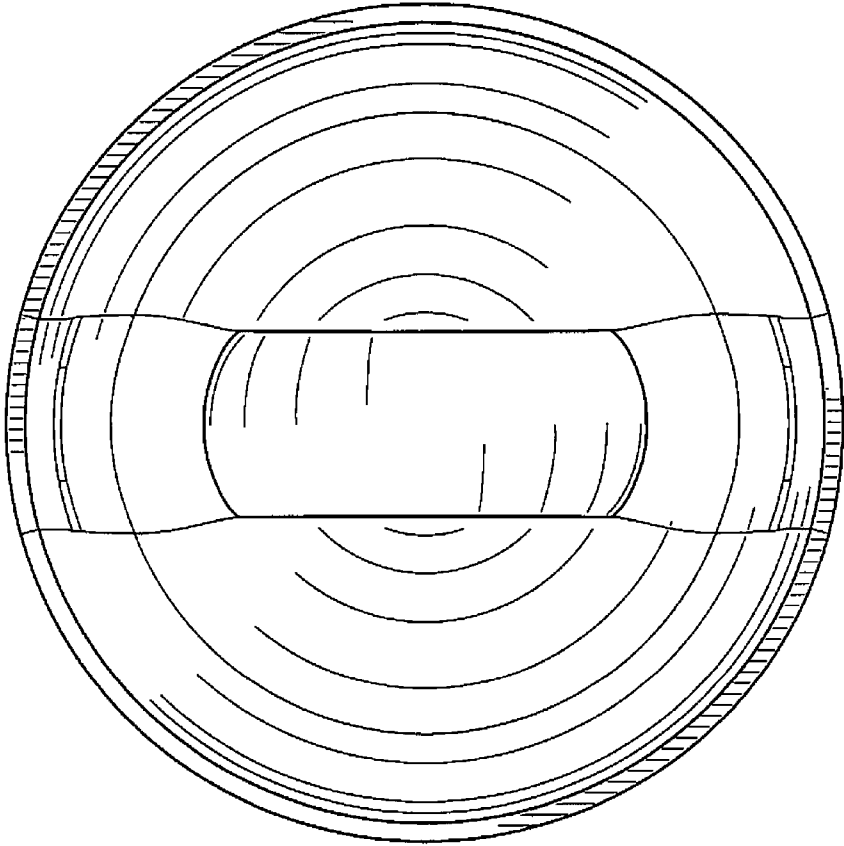


FIG. 4

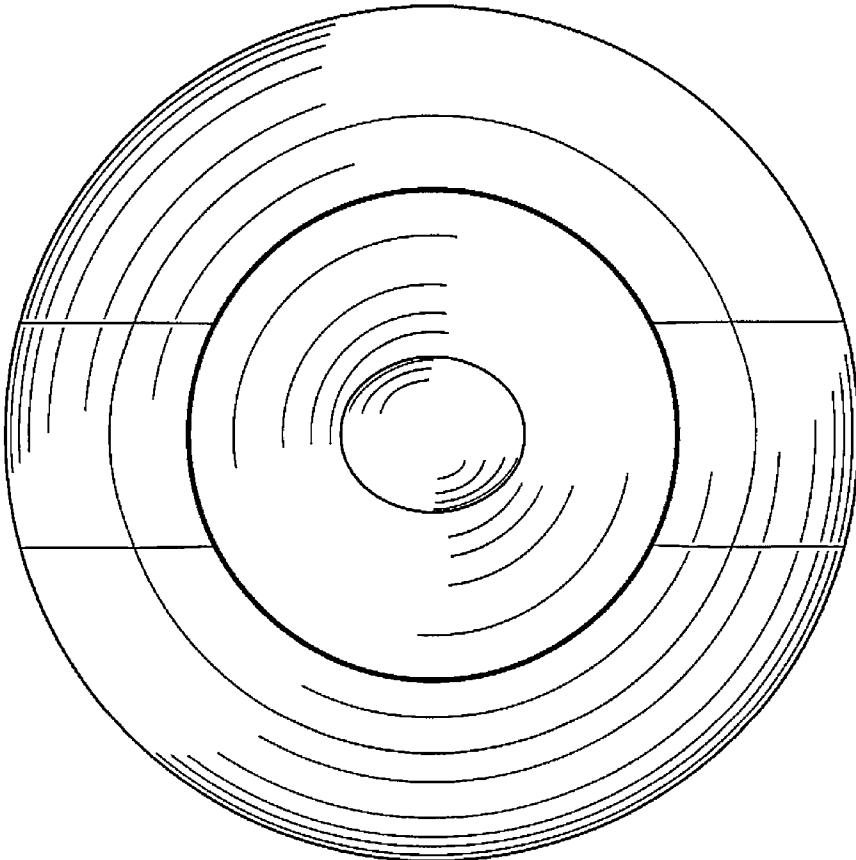


FIG. 5

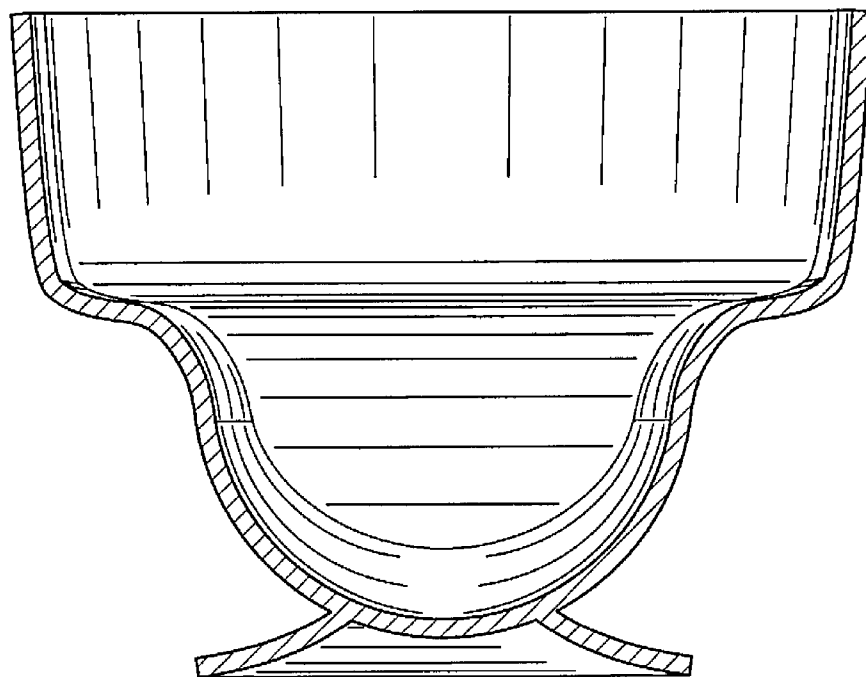


FIG. 6

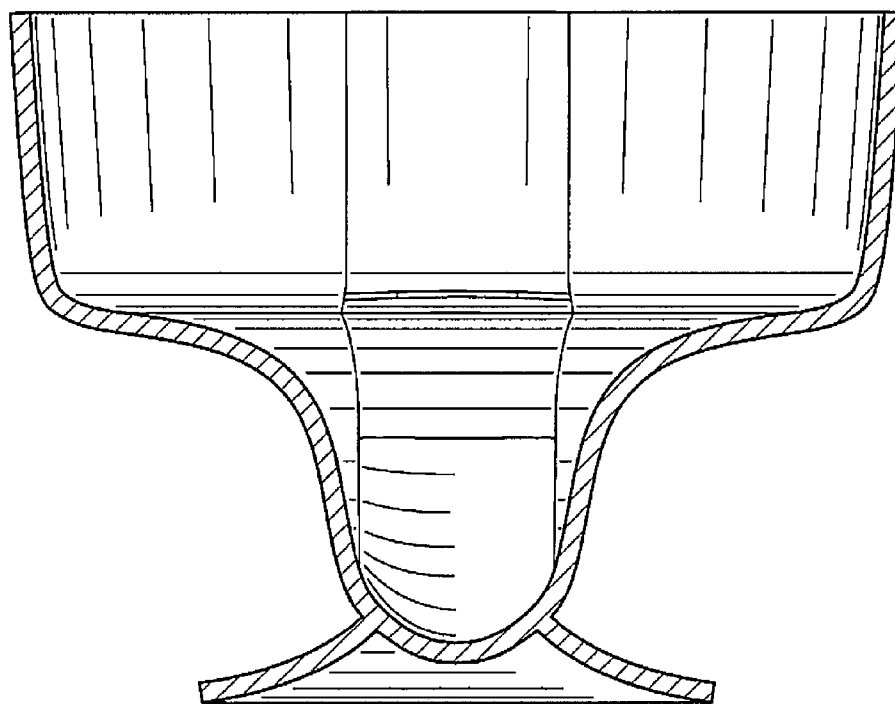


FIG. 7

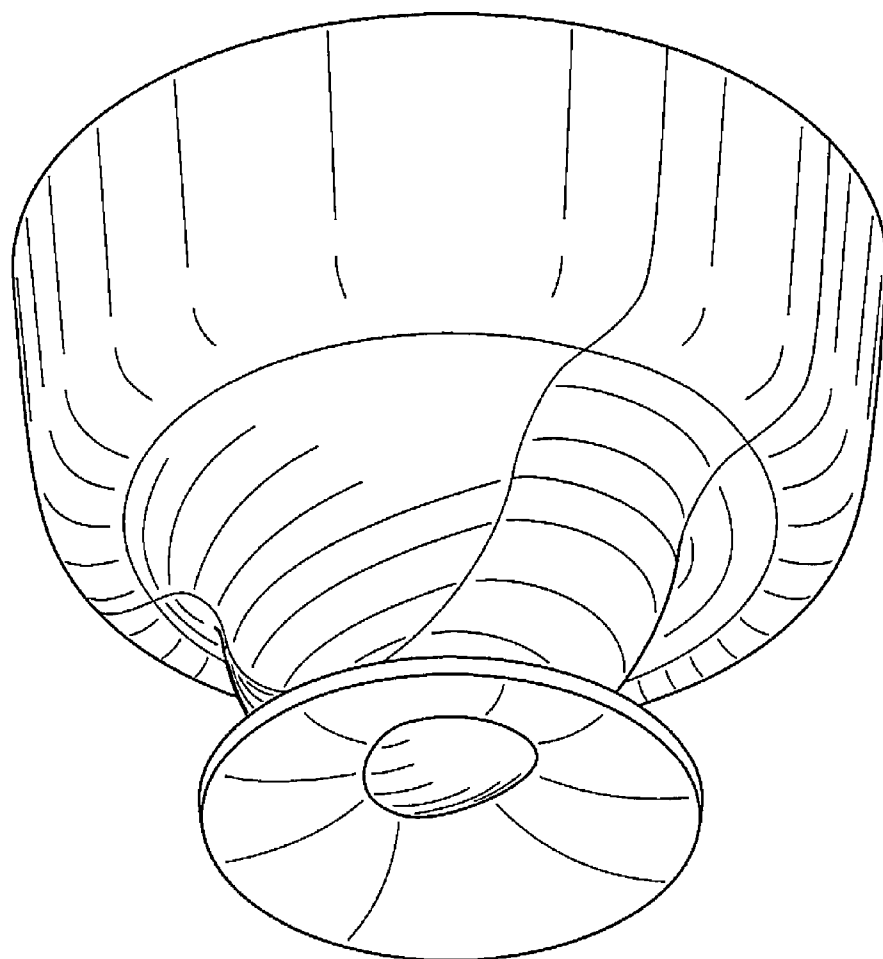


FIG. 8