



- (51) International Patent Classification:  
*B65B 5/04* (2006.01)
- (21) International Application Number:  
PCT/IB2013/000993
- (22) International Filing Date:  
15 March 2013 (15.03.2013)
- (25) Filing Language:  
English
- (26) Publication Language:  
English
- (30) Priority Data:  
61/614,901 23 March 2012 (23.03.2012) US
- (71) Applicant: LANGSTON COMPANIES, INC. [—/US];  
1760 South 3rd Street, Memphis, Tennessee 38109-7712 (US).
- (72) Inventors: MCCORKLE, Timothy, J.; 15424 Calistoga Avenue, Bakersfield, California 93314 (US). HOLTY, Anton, G; 10901 Artist Court, Bakersfield, California 93312 (US). MAYER, Edward, D.; 10112 Enger, Bakersfield, California 93312 (US).
- (74) Agent: CASSEL, Justin, J.; Workman Nydeggar, 60 East South Temple, Suite 1000, Salt Lake City, Utah 84111 (US).
- (81) Designated States (unless otherwise indicated, for every kind of national protection available): AE, AG, AL, AM, AO, AT, AU, AZ, BA, BB, BG, BH, BN, BR, BW, BY,

BZ, CA, CH, CL, CN, CO, CR, CU, CZ, DE, DK, DM, DO, DZ, EC, EE, EG, ES, FI, GB, GD, GE, GH, GM, GT, HN, HR, HU, ID, IL, IN, IS, JP, KE, KG, KM, KN, KP, KR, KZ, LA, LC, LK, LR, LS, LT, LU, LY, MA, MD, ME, MG, MK, MN, MW, MX, MY, MZ, NA, NG, NI, NO, NZ, OM, PA, PE, PG, PH, PL, PT, QA, RO, RS, RU, RW, SC, SD, SE, SG, SK, SL, SM, ST, SV, SY, TH, TJ, TM, TN, TR, TT, TZ, UA, UG, US, UZ, VC, VN, ZA, ZM, ZW.

- (84) Designated States (unless otherwise indicated, for every kind of regional protection available): ARIPO (BW, GH, GM, KE, LR, LS, MW, MZ, NA, RW, SD, SL, SZ, TZ, UG, ZM, ZW), Eurasian (AM, AZ, BY, KG, KZ, RU, TJ, TM), European (AL, AT, BE, BG, CH, CY, CZ, DE, DK, EE, ES, FI, FR, GB, GR, HR, HU, IE, IS, IT, LT, LU, LV, MC, MK, MT, NL, NO, PL, PT, RO, RS, SE, SI, SK, SM, TR), OAPI (BF, BJ, CF, CG, CI, CM, GA, GN, GQ, GW, ML, MR, NE, SN, TD, TG).

**Published:**

- with international search report (Art. 21(3))
- before the expiration of the time limit for amending the claims and to be republished in the event of receipt of amendments (Rule 48.2(h))

- (88) Date of publication of the international search report:  
3 April 2014

(54) Title: APPARATUS FOR BAGGING A BALE AND METHOD OF BAGGING SUCH BALE

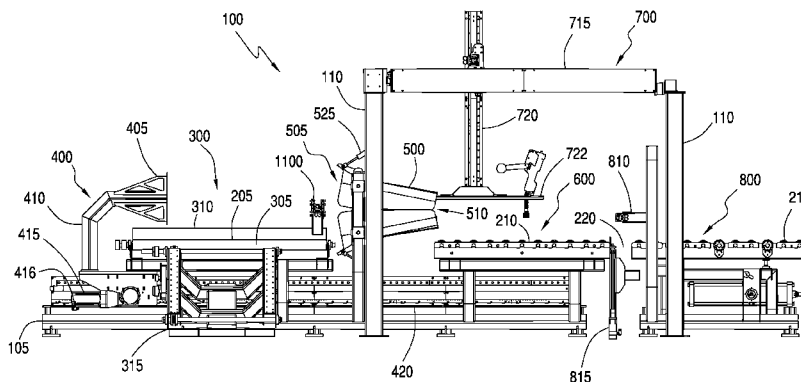


FIG. 1

(57) Abstract: A bale bagging apparatus for wrapping a bag around a bale of compressed material includes a base frame member having a first end and a second end, a transportation system, a bale chute and a bag retrieval system. The transportation system is provided to transport a bale through the bale chute having a bag for wrapping the bale. Additionally, the bale bagging apparatus has the bag retrieval system to position a bag from a first position to a second position to a third position, where in the third position an open end of the bag is positioned around the output end of the bale chute when the bale is transported by the transportation system through the bale chute.



**INTERNATIONAL SEARCH REPORT**

International application No.  
PCT/IB2013/000993

**A. CLASSIFICATION OF SUBJECT MATTER**  
IPC(8) - B65B 5/04 (2014.01)  
USPC - 53/384.1  
According to International Patent Classification (IPC) or to both national classification and IPC

**B. FIELDS SEARCHED**  
Minimum documentation searched (classification system followed by classification symbols)  
IPC(8) - B65B 5/04, 5/06, 43/14, 43/16, 43/18 (2014.01)  
USPC - 53/261, 265, 284.7, 384.1, 469, 473, 477, 480, 481, 570

Documentation searched other than minimum documentation to the extent that such documents are included in the fields searched  
CPC - B65B 5/045, 5/06, 5/061, 5/067 (2014.01)

Electronic data base consulted during the international search (name of data base and, where practicable, search terms used)  
PatBase, Google Patents, Google

**C. DOCUMENTS CONSIDERED TO BE RELEVANT**

Category*	Citation of document, with indication, where appropriate, of the relevant passages	Relevant to claim No.
X ----- Y	US 2009/0241474 A1 (ACTIS) 01 October 2009 (01.10.2009) entire document	1-3, 15 ----- 4
Y	EP 0 340 380 B1 (BUSSE) 27 May 1992 (27.05.1992) entire document	4
A.	US 2004/0216431 A1 (CURLS) 04 November 2004 (04.11.2004) entire document	1-4, 14-15

Further documents are listed in the continuation of Box C.

\* Special categories of cited documents:

"A" document defining the general state of the art which is not considered to be of particular relevance	"T" later document published after the international filing date or priority date and not in conflict with the application but cited to understand the principle or theory underlying the invention
"E" earlier application or patent but published on or after the international filing date	"X" document of particular relevance; the claimed invention cannot be considered novel or cannot be considered to involve an inventive step when the document is taken alone
"L" document which may throw doubts on priority claim(s) or which is cited to establish the publication date of another citation or other special reason (as specified)	"Y" document of particular relevance; the claimed invention cannot be considered to involve an inventive step when the document is combined with one or more other such documents, such combination being obvious to a person skilled in the art
"O" document referring to an oral disclosure, use, exhibition or other means	"&" document member of the same patent family
"P" document published prior to the international filing date but later than the priority date claimed	

Date of the actual completion of the international search 16 January 2014	Date of mailing of the international search report <b>07 FEB 2014</b>
--	--

Name and mailing address of the ISA/US Mail Stop PCT, Attn: ISA/US, Commissioner for Patents P.O. Box 1450, Alexandria, Virginia 22313-1450 Facsimile No. 571-273-3201	Authorized officer: Blaine R. Copenheaver PCT Helpdesk: 571-272-4300 PCT OSP: 571-272-7774
---	---

## INTERNATIONAL SEARCH REPORT

International application No.

PCT/IB2013/000993

**Box No. II Observations where certain claims were found unsearchable (Continuation of item 2 of first sheet)**

This international search report has not been established in respect of certain claims under Article 17(2)(a) for the following reasons:

1.  Claims Nos.:  
because they relate to subject matter not required to be searched by this Authority, namely:
  
2.  Claims Nos.:  
because they relate to parts of the international application that do not comply with the prescribed requirements to such an extent that no meaningful international search can be carried out, specifically:
  
3.  Claims Nos.: 5-13  
because they are dependent claims and are not drafted in accordance with the second and third sentences of Rule 6.4(a).

**Box No. III Observations where unity of invention is lacking (Continuation of item 3 of first sheet)**

This International Searching Authority found multiple inventions in this international application, as follows:

1.  As all required additional search fees were timely paid by the applicant, this international search report covers all searchable claims.
2.  As all searchable claims could be searched without effort justifying additional fees, this Authority did not invite payment of additional fees.
3.  As only some of the required additional search fees were timely paid by the applicant, this international search report covers only those claims for which fees were paid, specifically claims Nos.:
  
4.  No required additional search fees were timely paid by the applicant. Consequently, this international search report is restricted to the invention first mentioned in the claims; it is covered by claims Nos.:

**Remark on Protest**

- The additional search fees were accompanied by the applicant's protest and, where applicable, the payment of a protest fee.
- The additional search fees were accompanied by the applicant's protest but the applicable protest fee was not paid within the time limit specified in the invitation.
- No protest accompanied the payment of additional search fees.