

# United States Patent [19]

Hodge

[11] Patent Number: Des. 311,688

[45] Date of Patent: \*\* Oct. 30, 1990

[54] CONTAINER COVER

[76] Inventor: John E. Hodge, P.O. Box 309,  
Moline, Ill. 61265

[\*\*] Term: 14 Years

[21] Appl. No.: 22,231

[22] Filed: Mar. 4, 1987

[52] U.S. Cl. .... D9/435

[58] Field of Search ..... D7/40, 392.1; D9/341,  
D9/342, 345, 420, 424, 429, 432, 435, 438, 443,  
452-454, 456; 206/229, 612; 215/232, 250, 255,  
258; 220/200, 259, 269, 306, 334, 337, 338, 367;  
229/3.5 MF, 87 B, 87 P, 123.2

[56] References Cited

## U.S. PATENT DOCUMENTS

D. 164,628 9/1951 Davis ..... D9/435  
D. 249,637 9/1978 Iten ..... D9/341  
3,628,685 12/1971 Gordon ..... 220/334

3,655,088 4/1972 Box ..... 220/337  
3,841,516 10/1974 März ..... 220/334  
4,161,261 7/1979 Frater ..... 220/337  
4,210,252 7/1980 Cooke et al. .... 220/334  
4,620,644 11/1986 Miller ..... 220/337

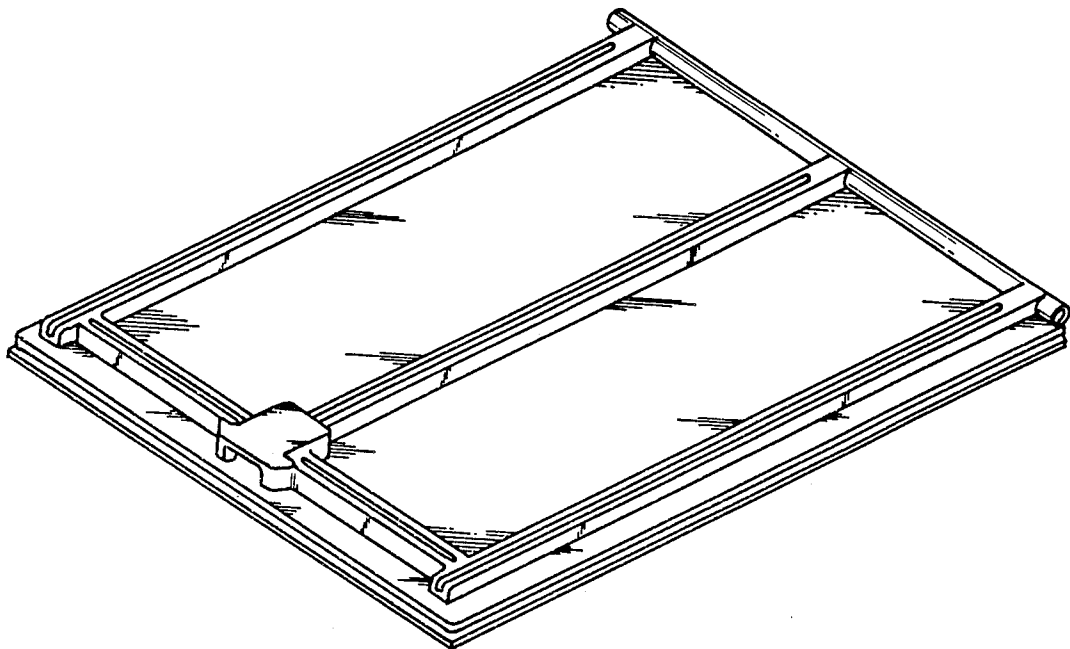
Primary Examiner—A. Hugo Word  
Assistant Examiner—Celia A. Murphy  
Attorney, Agent, or Firm—Robert O. Richardson

[57] CLAIM

The ornamental design for a container cover, as shown and described.

## DESCRIPTION

FIG. 1 is a top perspective view of a container cover showing my new design;  
FIG. 2 is a top plan view thereof, the side opposite being plain and unornamented;  
FIG. 3 is a right side elevational view thereof, the left side being a mirror image; and  
FIG. 4 is a front elevational view thereof.



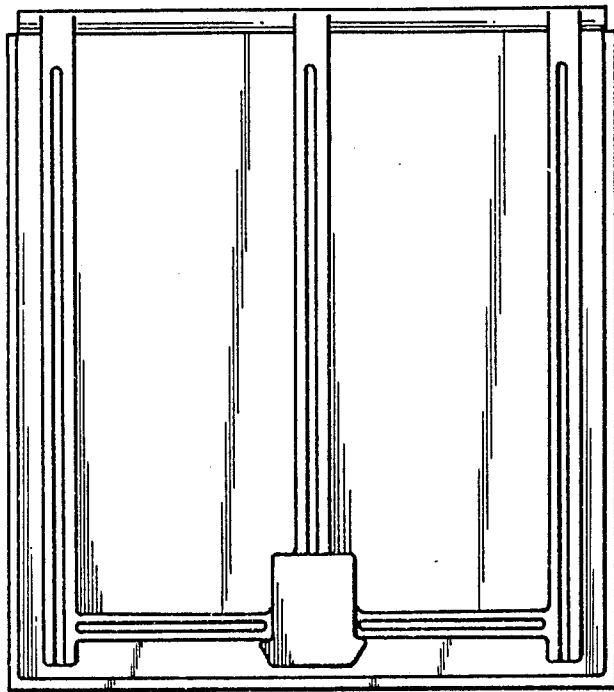
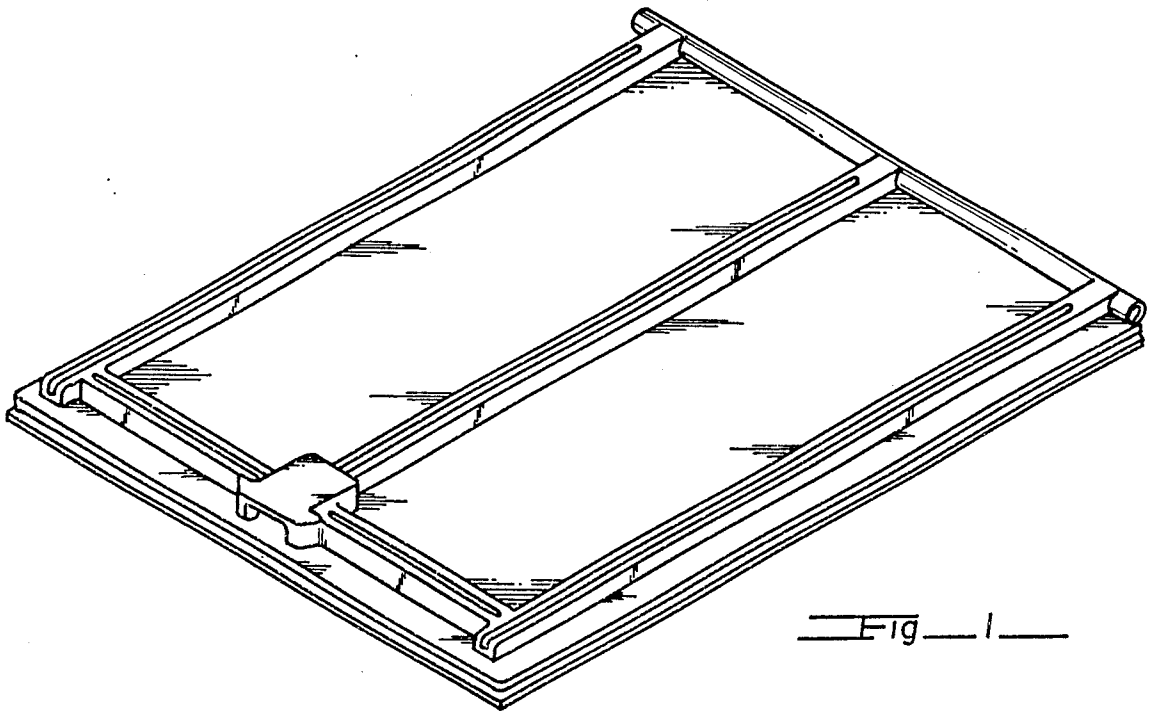


FIG 3

FIG 4