



US00D646665S

(12) **United States Design Patent**
Iijima

(10) **Patent No.:** **US D646,665 S**

(45) **Date of Patent:** **** Oct. 11, 2011**

(54) **SPEAKER BOX**

(75) Inventor: **Yoshimune Iijima**, Tokyo (JP)

(73) Assignee: **Sony Corporation**, Tokyo (JP)

(**) Term: **14 Years**

(21) Appl. No.: **29/371,312**

(22) Filed: **Dec. 28, 2010**

(51) **LOC (9) Cl.** **14-01**

(52) **U.S. Cl.** **D14/214**

(58) **Field of Classification Search** D14/204,
D14/210-216, 172; 181/143-144, 147-148,
181/150-153, 157, 198-199; 381/300-303,
381/306, 332-333, 336, 345, 361-364, 386-388
See application file for complete search history.

(56) **References Cited**

U.S. PATENT DOCUMENTS

D230,489	S	*	2/1974	Everett	D14/214
4,281,738	A	*	8/1981	Jackson	181/151
D376,149	S	*	12/1996	Moose	D14/215
D442,942	S		5/2001	Tsuge		
D471,534	S		3/2003	Suzuki et al.		
D508,690	S		8/2005	Hioki		
D553,120	S		10/2007	Yano		
D570,829	S		6/2008	Matsuoka		
D578,105	S		10/2008	Komiyama		

D578,107	S	10/2008	Shimizu	
D585,424	S	1/2009	Yoneda	
D587,239	S	*	2/2009	Raisanen et al. D14/214
D619,995	S	7/2010	Jha	

FOREIGN PATENT DOCUMENTS

JP D1143808 S 6/2002

* cited by examiner

Primary Examiner — Nanda Bondade

(74) *Attorney, Agent, or Firm* — Rader, Fishman & Grauer PLLC

(57) **CLAIM**

The ornamental design for a speaker box, as shown and described.

DESCRIPTION

FIG. 1 is a perspective view of a speaker box showing my new design;
FIG. 2 is a front elevational view thereof;
FIG. 3 is a rear elevational view thereof;
FIG. 4 is a left side elevational view thereof;
FIG. 5 is a right side elevational view thereof;
FIG. 6 is a top plan view thereof; and,
FIG. 7 is a bottom plan view thereof.
Portions in broken lines are for illustrative purposes only and form no part of the claimed design.

1 Claim, 7 Drawing Sheets

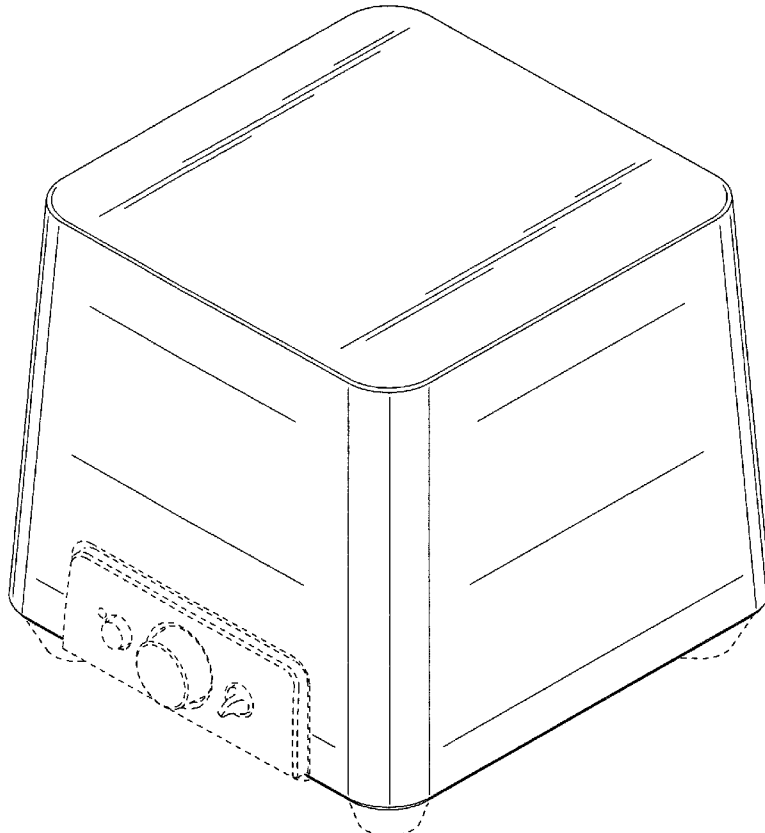


FIG. 1

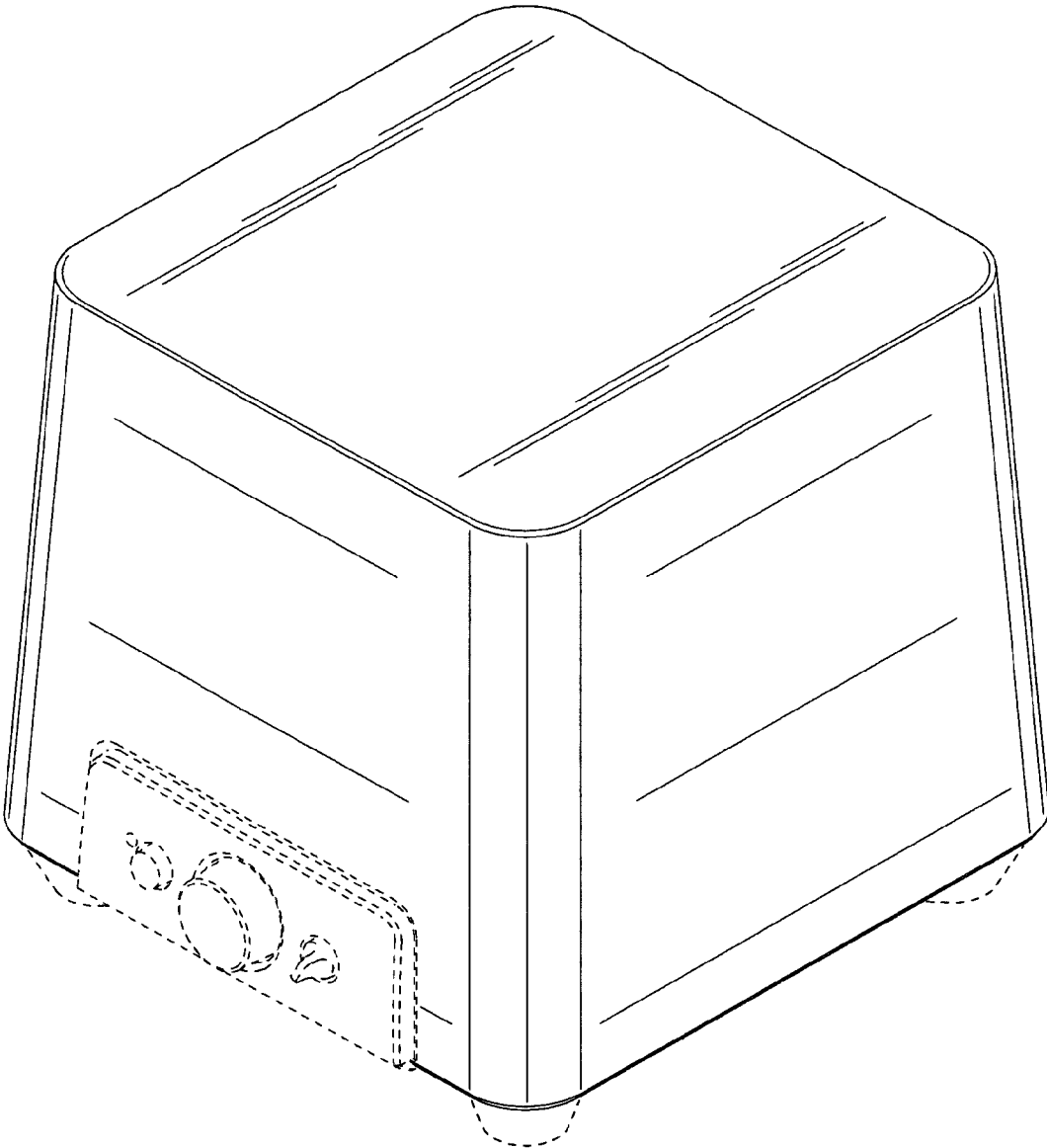


FIG.2

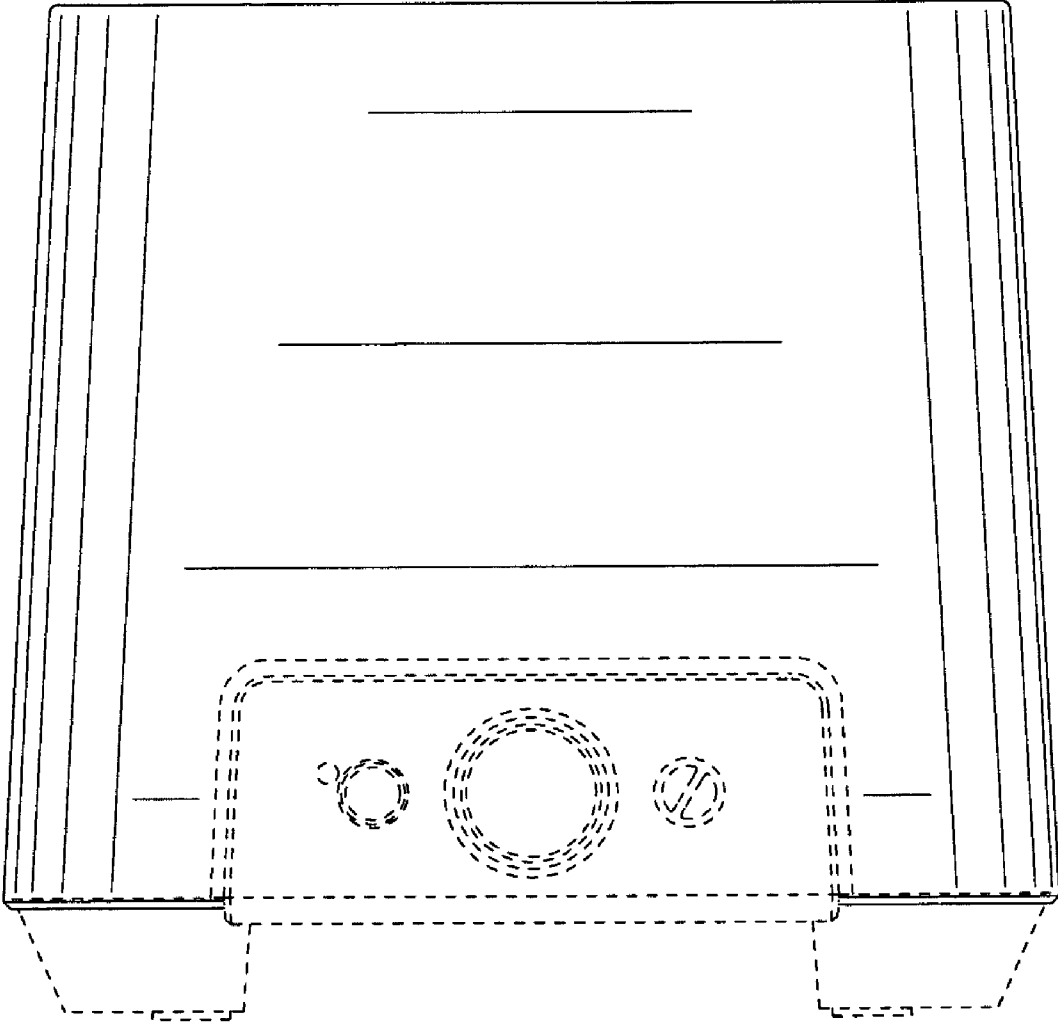


FIG.3

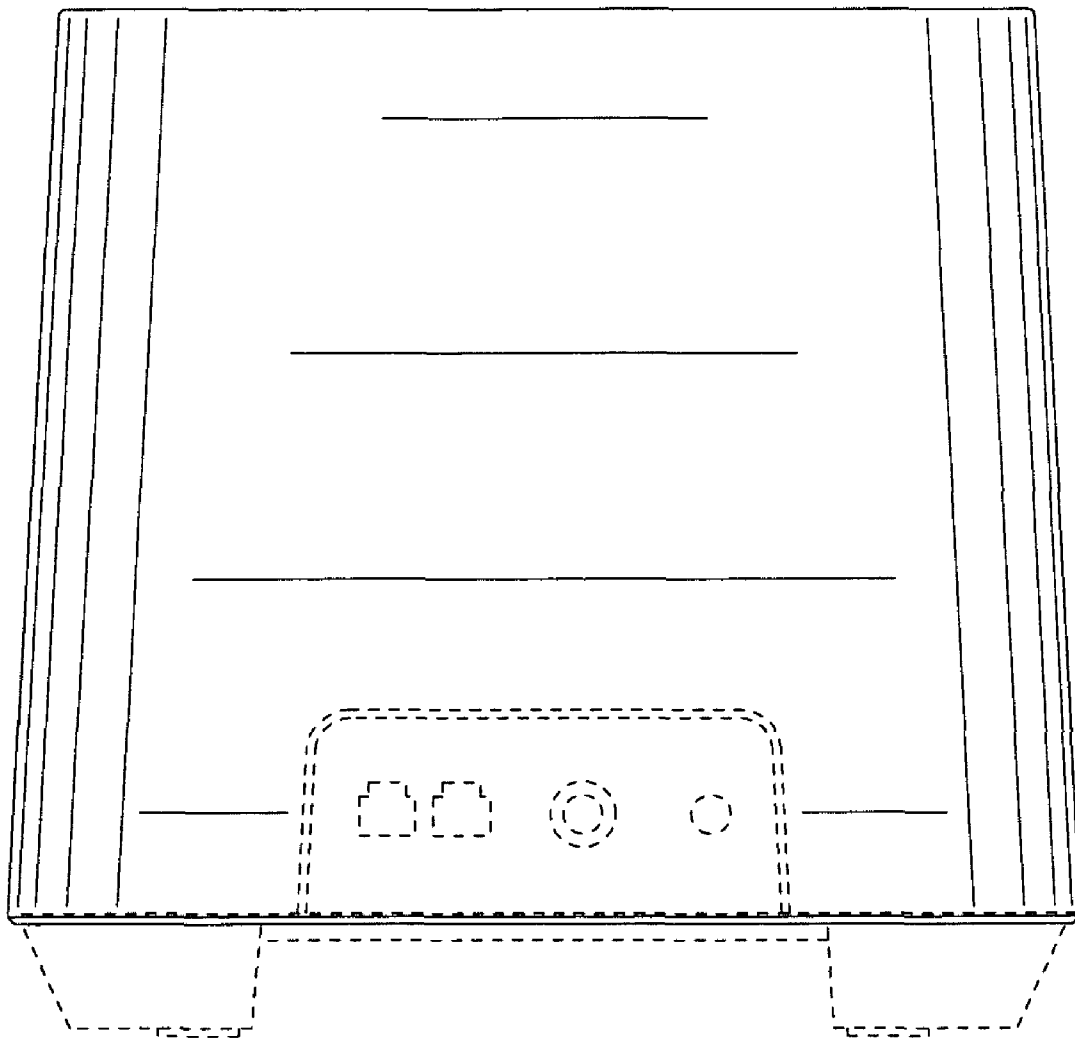


FIG.4

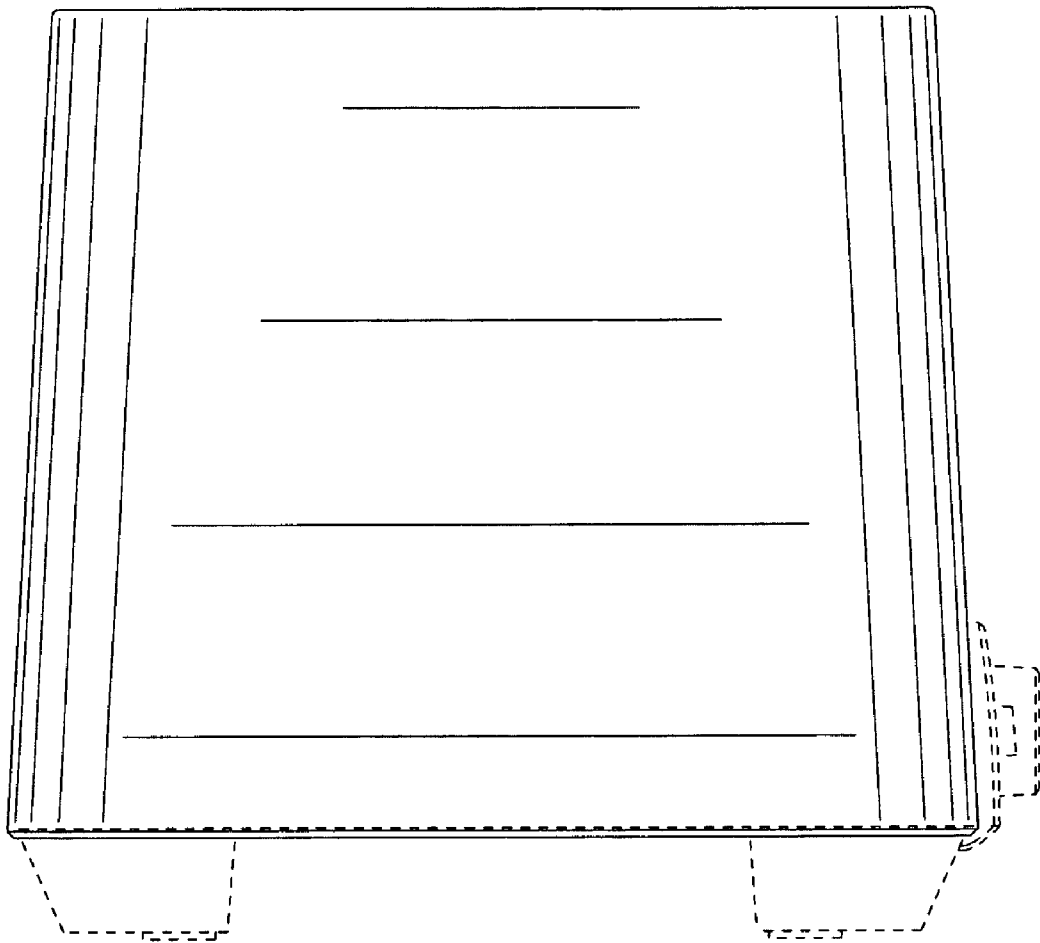


FIG.5

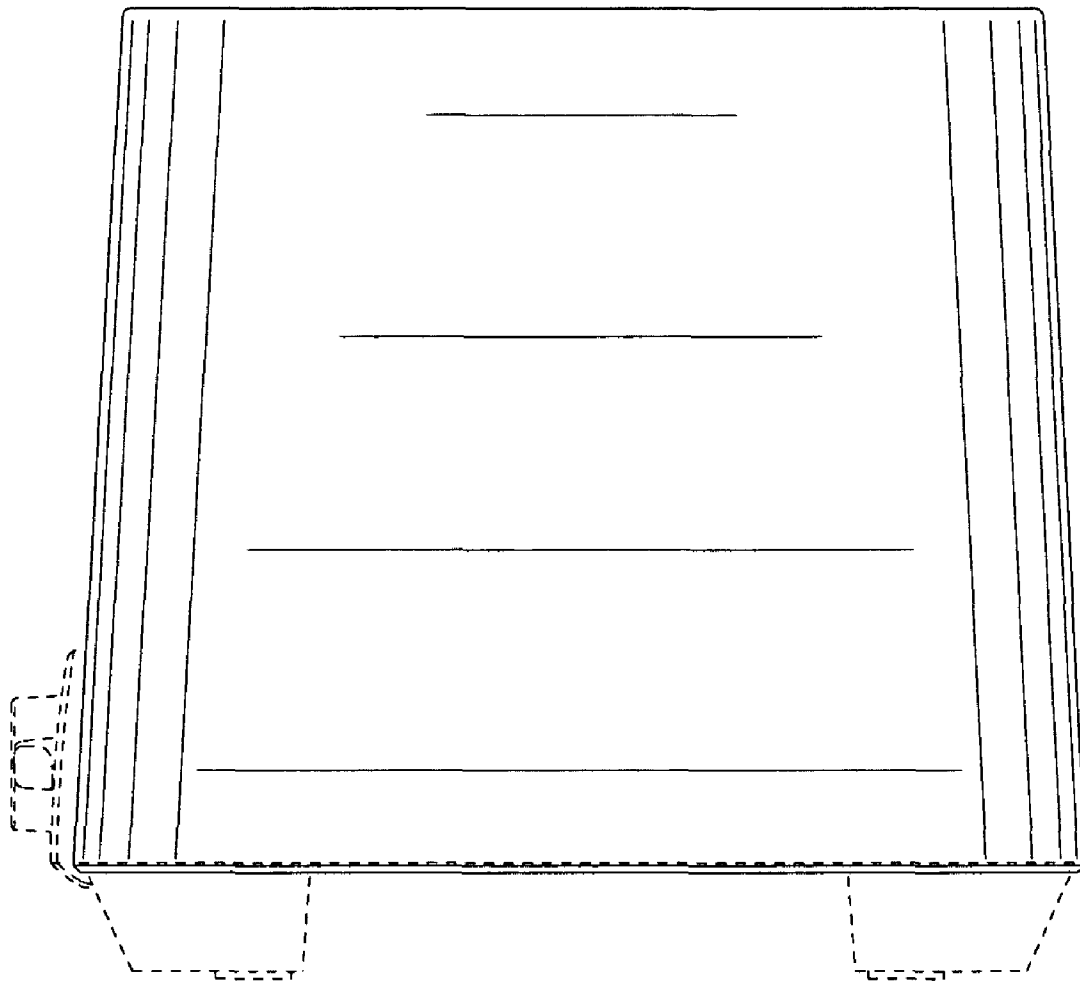


FIG.6

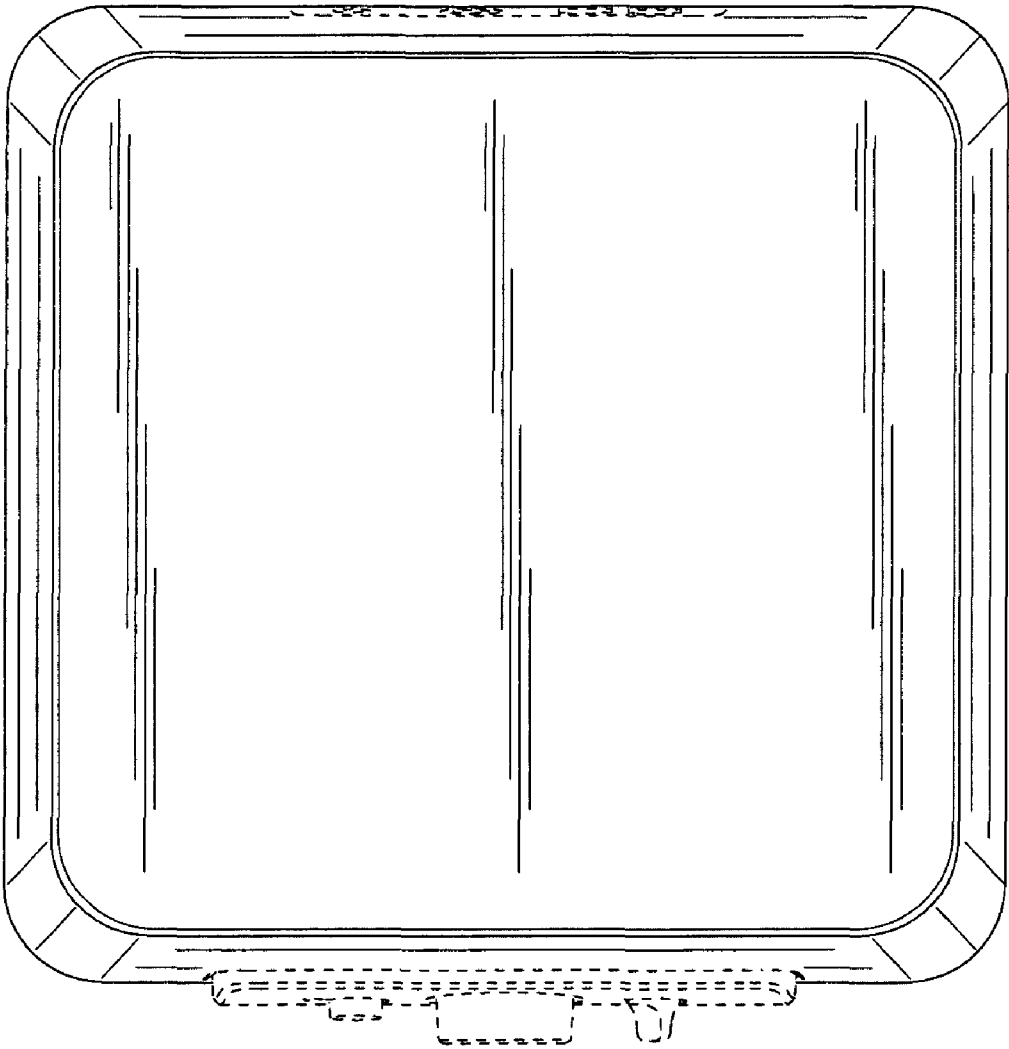


FIG.7

