

(19) World Intellectual Property Organization  
International Bureau



(43) International Publication Date  
22 June 2006 (22.06.2006)

PCT

(10) International Publication Number  
**WO 2006/066028 A2**

(51) International Patent Classification: **Not classified**

(21) International Application Number:  
PCT/US2005/045477

(22) International Filing Date:  
14 December 2005 (14.12.2005)

(25) Filing Language: English

(26) Publication Language: English

(30) Priority Data:  
11/012,997 15 December 2004 (15.12.2004) US

(71) Applicant (for all designated States except US): **THE PROCTER & GAMBLE COMPANY** [US/US]; One Procter & Gamble Plaza, Cincinnati, Ohio 45202 (US).

(72) Inventors; and

(75) Inventors/Applicants (for US only): **VISSCHER, Ronald, Bosman** [US/US]; 829 Kingfisher Lane, Glendale, Ohio 45246 (US). **MASON, Peter, Charles, Jr.** [US/US]; 3221 South Cove Court, Maineville, Ohio 45039 (US). **HUGHES, Jeanne, Marie** [US/US]; 3067

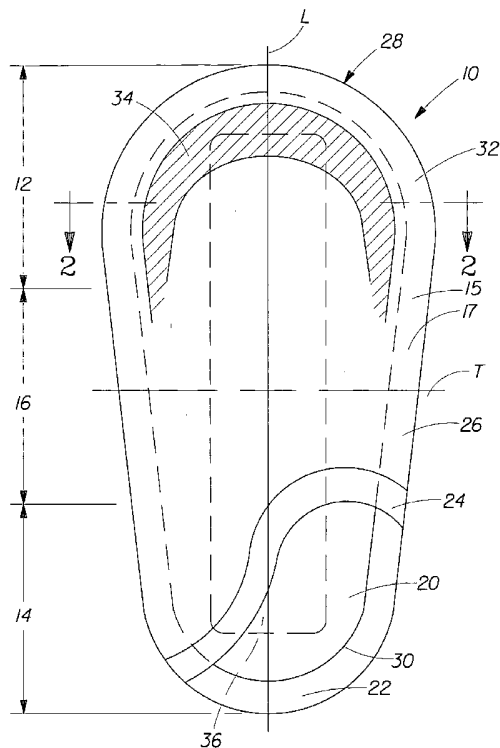
Walnut Grove Drive, Loveland, Ohio 45140 (US). **SCHLUETER, Folke** [DE/CH]; 1 Rond-point De Plainpalais, CH-1205 Geneva (CH). **SOMMA, Emma** [GB/DE]; Wieland Strasse, 12, 60318 Frankfurt Am Main (DE). **CARLUCCI, Giovanni** [IT/IT]; Via A. Fieramosca 118, I-66100 Chieti (IT). **WEISMAN, Paul, Thomas** [US/US]; 9967 Indian Springs Drive, Cincinnati, Ohio 45224 (US).

(74) Agent: **HUGHEET, Eileen, L.**; The Procter & Gamble Company, Winton Hill Business Center, 6110 Center Hill Road, Cincinnati, Ohio 45224 (US).

(81) Designated States (unless otherwise indicated, for every kind of national protection available): AE, AG, AL, AM, AT, AU, AZ, BA, BB, BG, BR, BW, BY, BZ, CA, CH, CN, CO, CR, CU, CZ, DE, DK, DM, DZ, EC, EE, EG, ES, FI, GB, GD, GE, GH, GM, HR, HU, ID, IL, IN, IS, JP, KE, KG, KM, KN, KP, KR, KZ, LC, LK, LR, LS, LT, LU, LV, LY, MA, MD, MG, MK, MN, MW, MX, MZ, NA, NG, NI, NO, NZ, OM, PG, PH, PL, PT, RO, RU, SC, SD, SE, SG, SK, SL, SM, SY, TJ, TM, TN, TR, TT, TZ, UA, UG, US, UZ, VC, VN, YU, ZA, ZM, ZW.

[Continued on next page]

(54) Title: AN ARRAY OF ABSORBENT ARTICLES HAVING FUNCTIONAL ENHANCEMENT INDICATORS



(57) Abstract: An array of feminine hygiene articles for placement in an undergarment having a crotch portion bounded on opposite sides by portions of curved leg openings. Each feminine hygiene article of the array has a body-facing surface, a first end region and a second end region, the array of feminine hygiene articles comprising at least first and second the feminine hygiene articles differing in at least one functional characteristic. The first and second feminine hygiene articles each comprise a functional enhancement indicator visible from the body-facing surface, the functional enhancement indicator of the first and second feminine hygiene articles being visibly different to distinguish the first feminine hygiene article from the second feminine hygiene article.

WO 2006/066028 A2



(84) **Designated States** (*unless otherwise indicated, for every kind of regional protection available*): ARIPO (BW, GH, GM, KE, LS, MW, MZ, NA, SD, SL, SZ, TZ, UG, ZM, ZW), Eurasian (AM, AZ, BY, KG, KZ, MD, RU, TJ, TM), European (AT, BE, BG, CH, CY, CZ, DE, DK, EE, ES, FI, FR, GB, GR, HU, IE, IS, IT, LT, LU, LV, MC, NL, PL, PT, RO, SE, SI, SK, TR), OAPI (BF, BJ, CF, CG, CI, CM, GA, GN, GQ, GW, ML, MR, NE, SN, TD, TG).

**Published:**

— *without international search report and to be republished upon receipt of that report*

*For two-letter codes and other abbreviations, refer to the "Guidance Notes on Codes and Abbreviations" appearing at the beginning of each regular issue of the PCT Gazette.*

## AN ARRAY OF ABSORBENT ARTICLES HAVING FUNCTIONAL ENHANCEMENT INDICATORS

### FIELD OF THE INVENTION

5           The present invention relates to disposable absorbent products, and more particularly to feminine hygiene articles intended to be worn in women's undergarments.

### BACKGROUND

Absorbent articles, such as sanitary napkins, are used by women principally  
10 during their menstrual periods to receive and contain menses and other vaginal discharges to protect their garments from soiling. Other articles, such as incontinence pads are similarly worn for control of light urine incontinence. Sanitary napkins and incontinence pads typically have adhesive attachment means to temporarily adhere the device to the crotch region of the user's undergarment, normally her panty.

15           When placing an absorbent article in an undergarment, it is often critical that the article be positioned correctly with respect to the crotch portion thereof. Improper positioning of the absorbent article can result in bodily discharges coming into contact with the wearer's garments or undergarment, instead of entering the absorbent article. For example, if the absorbent article is placed too far toward the front of the  
20 undergarment, a rearward portion of the undergarment may not be covered by the absorbent article, resulting in fluid, such as menses, soiling the undergarment. The problem is made worse when the absorbent article is asymmetrically-shaped, such that it does not provide an inherent indication of proper placement. Further, if the product has what are commonly referred to as "wings" or "flaps" intended to wrap the edges of the  
25 wearer's undergarments in the crotch region and/or affix the article to the undergarment, misplacement of the article can result in poor folding and premature detachment.

Asymmetrically-shaped absorbent articles, such as absorbent articles that are narrow in the front and wide in the back, or otherwise are not symmetric about a  
30 transverse centerline such as "pear-shaped" sanitary napkins, are known in the art. Such articles are intended to be worn with the larger surface area region oriented to the back of the wearer. Sanitary napkins designed in this manner can be more effective in preventing soiling of the undergarments. Asymmetrically-shaped absorbent articles are also known

for control of light urine incontinence. For example, US 5,439,458 issued to Noel et al. discloses an absorbent article such as an adult incontinence pad having an improved shape. The shape is described as being symmetrical about its longitudinal centerline, but asymmetrical about its transverse centerline.

5           However, the problem with asymmetrically-shaped absorbent articles, particularly such articles for use as feminine hygiene articles, is that the asymmetric nature of the pad renders it difficult to place correctly in the user's undergarment. Specifically with respect to sanitary napkins and incontinence pads, it is confusing to the user which of the asymmetrically-shaped ends goes in the rear or in the front, respectively, with respect to  
10 the undergarment. For incontinence pads, for example, some users tend to intuitively place the larger surface area portion to the rear, as is desirable with a similarly-shaped sanitary napkin intended for menstrual use, when, in fact, the larger surface area portion is intended to be oriented to the front of her undergarment.

          Other problems associated with feminine hygiene articles include effectively  
15 communicating a particular benefit of a particular article to the user. For example, an article such as sanitary napkin may have enhanced functionality in one portion, such as enhanced absorbency nearer one end or another. It would be beneficial for the user to have some way of knowing which portion of the article has the enhanced absorbency. Knowing this would facilitate proper orientation and placement of the article in her  
20 undergarment.

          Accordingly, there remains an unaddressed need for an improved feminine hygiene article, such as a sanitary napkin or pantiliner that is designed to facilitate proper placement and positioning in a user's undergarment.

          Further, there is an unaddressed need for a means for properly placing and  
25 positioning a feminine hygiene article in an undergarment when the absorbent article is not symmetric about a longitudinal and/or transverse centerline thereof.

          Also, there is an unaddressed need for a feminine hygiene article, or an array of feminine hygiene articles, that effectively communicate to the user differences in functionality that may be present in various portions thereof. Such a need is unaddressed  
30 both for symmetrically- and asymmetrically-shaped articles.

          Finally, there is an unaddressed need for an asymmetrically-shaped incontinence pad comprising means for facilitating proper orientation and/or placement.

### SUMMARY OF THE INVENTION

An array of feminine hygiene articles for placement in an undergarment having a crotch portion bounded on opposite sides by portions of curved leg openings is disclosed. Each feminine hygiene article of the array has a body-facing surface, a first end region  
5 and a second end region, the array of feminine hygiene articles comprising at least first and second the feminine hygiene articles differing in at least one functional characteristic. The first and second feminine hygiene articles each comprise a functional enhancement indicator visible from the body-facing surface, the functional enhancement indicator of the first and second feminine hygiene articles being visibly different to distinguish the  
10 first feminine hygiene article from the second feminine hygiene article.

### BRIEF DESCRIPTION OF THE DRAWINGS

- FIG. 1 is a partially cut away plan view of a feminine hygiene article of the present invention.
- 15 FIG. 2 is a cross-sectional view of the Section 2 - 2 as shown in FIG. 1.
- FIG. 3 is a plan view of a feminine hygiene article of the present invention.
- FIG. 4 is a plan view of a feminine hygiene article of the present invention properly positioned in an undergarment.
- FIG. 5 is a plan view of another embodiment of a feminine hygiene article of the present invention properly positioned in an undergarment.
- 20 FIG. 6 is a plan view of another embodiment of a feminine hygiene article of the present invention properly positioned in an undergarment.
- FIG. 7 is a plan view of another embodiment of a feminine hygiene article of the present invention.
- 25 FIG. 8 is a plan view of another embodiment of a feminine hygiene article of the present invention.
- FIG. 9 is a cross-sectional view of the section 9 - 9 as shown in FIG. 8.
- FIG. 10 is a plan view of another embodiment of a feminine hygiene article of the present invention.
- 30 FIG. 11 is a view of an array of feminine hygiene articles of the present invention.
- FIG. 12 is a view of an array of feminine hygiene articles and a corresponding array of packaging of the present invention.

FIG. 13 is a view of an array of feminine hygiene articles and a corresponding array of packaging of the present invention.

FIG. 14 is a view of an array of feminine hygiene articles of the present invention.

FIG. 15 is a view of an array of feminine hygiene articles and a corresponding  
5 array of packaging of the present invention.

FIG. 16 is a view of an array of feminine hygiene articles of the present invention.

FIG. 17 is a view of an array of feminine hygiene articles and a corresponding array of packaging of the present invention.

## 10 DETAILED DESCRIPTION OF THE INVENTION

As used herein, the term “absorbent article” refers to devices that absorb and contain liquid, and more specifically, refers to devices that are placed against or in proximity to the body of the wearer to absorb and contain the various exudates discharged from the body.

15 As used herein, the term “feminine hygiene article” refers to disposable absorbent articles to be worn by women for menstrual and/or light incontinence control. Feminine hygiene articles are typically held in place adjacent the user’s externally-visible genitalia (i.e., the pudendal region) by the user’s undergarment. Feminine hygiene articles can be placed into the user’s undergarment and affixed via adhesive or other joining means.

20 Feminine hygiene articles do not include baby diapers.

One embodiment of a feminine hygiene article of the present invention, an incontinence pad **10**, is shown in partially cut-away plan view in FIG. 1 and in cross section in FIG. 2. While the invention is disclosed in FIG. 1 as an embodiment of an incontinence pad **10**, the disclosed features of the invention can also be useful when  
25 incorporated in other feminine hygiene articles, such as sanitary napkins and pantliners. Therefore, the disclosure below is in the context of an incontinence pad, but is applicable to feminine hygiene articles in general. The invention can also be an anal discharge pad, a hemorrhoid pad, an interlabial pad, or any other absorbent article for which proper placement and orientation in an undergarment is desirable.

30 Incontinence pad **10** can be considered in three regions, two end regions **12** and **14** each comprising about one-third of the overall length, and a middle region **16**. In the context of an incontinence pad **10** of the present invention, end region **12** represents the

front of the pad, that is, the portion of the incontinence pad **10** intended to be oriented during use toward the front of the user's undergarment. In the context of a sanitary napkin or pantiliner **11** of the present invention, end region **12** represents the rear of the pad, that is, the portion of the sanitary napkin or pantiliner **11** intended to be oriented  
5 during use toward the rear of the user's undergarment.

Incontinence pad **10** has a body-facing surface (or side) **15** that is in contact with the user's body during use and a garment-facing surface (or side) **17** that is in contact with the user's undergarment during use. In general, each component layer of the incontinence pad **10** can be said to have a body-facing side and a garment-facing side, the  
10 sides being determined by their orientation relative to the in-use orientation of the article. Incontinence pad **10** has a longitudinal centerline **L** and a transverse centerline **T**, the centerlines being perpendicular to one another in the plane of the sanitary napkin when in a flat out configuration, as shown in FIG. 1. In one embodiment the incontinence pad can be generally symmetric about both centerlines, while in other embodiments the  
15 incontinence pad can be generally asymmetric about either centerline. In the embodiment shown in FIG. 1, incontinence pad **10** is symmetric about the longitudinal centerline **L** and asymmetric about transverse centerline **T**. As discussed more fully below, feminine hygiene articles can also be provided with lateral extensions known in the art as "flaps" or "wings" (not shown in FIG. 1) intended to fold over and cover the panty elastics in the  
20 crotch region of the user's undergarment.

Incontinence pad **10** can have any shape known in the art for feminine hygiene articles, including generally symmetric "hourglass" shaped, tapering inwardly from a relatively greater transverse width in a portion of one of the end regions to a relatively smaller transverse width at the middle region. However, the invention is particularly  
25 beneficial for incontinence pads and other feminine hygiene articles that are asymmetrical about the transverse axis, such that the maximum transverse width of one end, e.g., end region **12**, of the pad is greater than the maximum transverse width of the other end, e.g., end region **14**. Transverse width is defined herein as the edge-to-edge dimension across the article, measured parallel to the transverse centerline **T**. Such pads can be described  
30 as pear shaped, bicycle-seat shaped, trapezoidal shaped, wedge shaped, or otherwise described in a manner that connotes a two-dimensional shape having two ends in which one end is larger than the other in a maximum width dimension.

Incontinence pad **10** can have an absorbent core **20** to absorb and store bodily fluids discharged during use. In some embodiments of incontinence pads, pantliners, sanitary napkins, or other such devices of the present invention, an absorbent core is not necessary, the pad consisting only of a topsheet (that can have some absorbency) and a fluid impermeable backsheet. Absorbent core **20** can be formed from any of the materials well known to those of ordinary skill in the art. Examples of such materials include multiple plies of creped cellulose wadding, fluffed cellulose fibers, wood pulp fibers also known as airfelt, textile fibers, a blend of fibers, a mass or batt of fibers, airlaid webs of fibers, a web of polymeric fibers, and a blend of polymeric fibers.

In one embodiment absorbent core **20** can be relatively thin, less than about 5 mm in thickness, or less than about 3 mm, or less than about 1 mm in thickness. Thickness can be measured by any means known in the art for doing so while under a uniform pressure of 0.25 psi. The absorbent core can comprise absorbent gelling materials (AGM), including AGM fibers, as is known in the art.

Absorbent core **20** can be formed or cut to a shape, the outer edges of which define a core periphery **30**. The shape of absorbent core **20** can be generally rectangular, circular, oval, elliptical, or the like. Absorbent core **20** can be generally centered with respect to the longitudinal centerline **L** and transverse centerline **T**.

To prevent absorbed bodily exudates from contacting the wearer's garments, incontinence pad **10** can have a liquid impermeable backsheet **22**. Backsheet **22** can comprise any of the materials known in the art for backsheets, such as polymer films and film/nonwoven laminates. To provide a degree of softness and vapor permeability for the garment-facing side of sanitary napkin **10**, backsheet **22** can be a vapor permeable outer layer on the garment-facing side of the sanitary napkin **20**. The backsheet **22** can be formed from any vapor permeable material known in the art. Backsheet **22** can comprise a microporous film, an apertured formed film, or other polymer film that is vapor permeable, or rendered to be vapor permeable, as is known in the art. One suitable material is a soft, smooth, compliant, vapor pervious material, such as a nonwoven web that is hydrophobic or rendered hydrophobic to be substantially liquid impermeable. A nonwoven web provides for softness and conformability for comfort, and can be low noise producing so that movement does not cause unwanted sound.



To provide for softness next to the body, incontinence pad **10** can have a body-facing layer, referred to herein as topsheet **26**. Topsheet **26** can be formed from any soft, smooth, compliant, porous material which is comfortable against human skin and through which fluids such as urine or vaginal discharges can pass. Topsheet **26** can comprise  
5 fibrous nonwoven webs and can comprise fibers as are known in the art, including bicomponent and/or shaped fibers. Topsheet **26** can also be a liquid permeable polymer film, such as an apertured film, or an apertured formed film as is known on sanitary napkins such as ALWAYS® brand sanitary napkins.

At least one, and preferably both, of topsheet **26** and backsheet **22** define a shape,  
10 the edge of which defines an outer periphery **28** of the incontinence pad **10**. In a preferred embodiment, both topsheet **26** and backsheet **22** define the incontinence pad **10** outer periphery **28**. The two layers can be die cut, as is known in the art, for example, after combining all the components into the structure of the incontinence pad **10** as described herein. However, the shape of either topsheet **26** or backsheet **22** can be  
15 independently defined.

Interposed between the absorbent core **20** and topsheet **26** can be at least one fluid permeable secondary topsheet **24**. Secondary topsheet **24** can aid in rapid acquisition and/or distribution of fluid and is preferably in fluid communication with the absorbent core **20**. In one embodiment, the secondary topsheet **24** does not completely cover the  
20 absorbent core **20**, but it can extend laterally to core periphery **30**. In one embodiment, topsheet, secondary topsheet, or the absorbent core can be layered structures, the layers facilitating fluid transport by differences in fluid transport properties, such as capillary pressure.

In one embodiment, absorbent core **20** does not extend laterally outward to the  
25 same extent as either topsheet **26** or backsheet **22**, but the incontinence pad **10** outer periphery **28** can be substantially larger than the core outer periphery **30**. In this manner, the region of incontinence pad **10** between the core periphery **30** and the incontinence pad **10** outer periphery **28** can define a breathable zone **32** that permits vapors to go through portions of the sanitary napkin, thereby escaping and providing for dryer comfort when  
30 worn. The breathable zone incontinence pad having a breathable zone can be according to the teachings of U.S. Ser. No. 10/790,418, filed March 1, 2004.

All the components can be adhered together with adhesives, including hot melt adhesives, as is known in the art. The adhesive can be Findlay H2128 UN or Savare PM 17 and can be applied using a Dynafiber HTW system.

As is typical for sanitary napkins and the like, the incontinence pad **10** of the present invention can have panty fastening adhesive **36** disposed on the garment-facing side **17** of backsheet **22**. Panty fastening adhesive **36** can be any of known adhesives used in the art for this purpose, and can be covered prior to use by a release paper, as is well known in the art.

The above disclosure is meant to give a general description of the basic parts of feminine hygiene articles such as sanitary napkins and incontinence pads and the like as they are known in the art. The description is not intended to be limiting. Any and all of various known elements, features and processes of known sanitary napkins, pantliners, incontinence pads, and the like can be incorporated in the feminine hygiene article of the present invention as desired or needed for particular use benefits. For example, sanitary napkins can be according to the disclosure of US 4,950,264 issued to Osborn III August 21, 1990, and an incontinence pad can be according to the disclosure of US 5,439,458 issued to Noel et al. August 8, 1995. Now, with respect to the remaining disclosure, the novel features and benefits of the present invention will be described.

Feminine hygiene articles of the present invention can be symmetric about both the longitudinal and transverse centerlines. However, the invention is most useful in the context of feminine hygiene articles that are characterized by asymmetry, either in shape or in functional parameters. For example, in one embodiment, a feminine hygiene article is symmetrically-shaped about both the longitudinal and transverse centerlines, but is functionally asymmetric in that it is functionally enhanced in one region offset with respect to at least one centerline, for example, by having more absorbent capacity disposed nearer a first end region relative to a second end region. In such a pad, it is important that the user perceive which end of the pad is functionally enhanced to facilitate proper choice of article for an intended use as well as for proper placement in the undergarment. In one embodiment, a feminine hygiene article is asymmetric about the transverse centerline, such that one end is functionally enhanced by having a greater surface area. Again, it is important that the user perceive the larger surface area portion as being functionally-enhanced for the particular use of the pad. That is, aside from the

perimeter shape of the article and the difference in surface area between one end and the other, the user can benefit from a visual or tactile indicator to aid in proper, i.e., front or rear, orientation of the larger surface area.

Therefore, as disclosed fully below, a feminine hygiene article of the present invention comprises a functional enhancement indicator **34** to aid the user in proper choice of article and proper placement and use of the article. Functional enhancement indicator **34** can be an indication or a signal perceptible to the user that corresponds to a functionally-distinguishable portion of a feminine hygiene article. A functionally-distinguishable portion of a feminine hygiene article is a portion that is different in composition, configuration, or construction from relative to adjacent portions of the article. Functional enhancement indicator **34** can be an indication or a signal perceptible to the user that corresponds to a functionally-distinguishable portion of a feminine hygiene article that is otherwise not perceptible to the user. Functional enhancement indicator **34** can be an indication or a signal perceptible to the user that corresponds to a functionally-distinguishable portion of a feminine hygiene article that is otherwise not perceptible to the user as being intended for the particular function indicated. In one embodiment, functional enhancement indicator **34** applied by printing, such as by ink-jet printing. In one embodiment functional enhancement indicator **34** applied only by printing, such as by ink-jet printing, onto one of the article components, and does not include a previously colored, or dyed component, such as a uniformly-colored non-woven.

Functional enhancement indicator **34** can be only visually perceptible, i.e., a visually-perceptible functional enhancement indicator. Functional enhancement indicator can be only tactilely perceptible, i.e., a tactilely-perceptible functional enhancement indicator. Functional enhancement indicators are disclosed below primarily in a preferred embodiment of being visually perceptible. By “visually perceptible” is meant that a human viewer can visually discern the functional enhancement indicator with the unaided eye (excepting standard corrective lenses adapted to compensate for near-sightedness, farsightedness, or stigmatism, or other corrected vision) in lighting at least equal to the illumination of a standard 100 watt incandescent white light bulb at a distance of 1 meter. By “only visually perceptible” is meant that the functional enhancement indicator cannot be readily perceived on the body-facing surface of the feminine hygiene article by touch,

sound, or smell. Therefore, channels, embossments, tufts, folds, pleats, and other tactilely-perceptible elements of a feminine hygiene article are not considered to be only visually perceptible. However, a functional enhancement indicator that is only visually perceptible can be used in conjunction with such channels, embossments, and the like.

5 For example, a functional enhancement indicator can be used in conjunction with edge crimping about the periphery of an incontinence pad to signal enhanced fluid containment.

Functional enhancement indicator **34** can be disposed off-center of the feminine hygiene article; that is, it can be a visually-perceptible mark or signal that is itself not centered with respect to at least the transverse centerline **T**. In one embodiment, as shown in FIG. 1, functional enhancement indicator **34** is off center with respect to the transverse centerline, but is symmetric with respect to the longitudinal centerline. In this manner, functional enhancement indicator **34** can identify one end region of a feminine hygiene article as being a region of particular functional significance, for example, as the region of intended fluid entry. Functional enhancement indicator **34** can also signal the front of an incontinence pad **10** to indicate to the user the portion of the article intended to be placed for the function of absorbing urine and vaginal discharge. Functional enhancement indicator **34** can also identify a region of the pad having other enhanced functionality, such as greater absorbency, greater fluid containment, less leakage, better dryness, better sensate concentration, greater odor control additives, or the like.

As shown in FIG. 1, incontinence pad **10** can be asymmetric about the transverse centerline **T**. One way of describing such an incontinence pad **10** is to say that one of the end regions **12** or **14** has a greater surface area on a body-facing surface thereof than the other. Such an article, when properly placed in an undergarment can result in more coverage, e.g., more of the surface area of the pad, toward either the front or the rear of the user's undergarment during use. For sanitary napkins, consumers typically place the larger end region **12** toward the rear of the panty for better protection from soiling. However, an asymmetric design for incontinence pads presents a problem to the user. Because the pad is not designed for the larger end portion **12** to be oriented to the rear of the undergarment, the user benefits from a visual signal to reinforce the intended orientation of the pad. The visual signal is believed to be necessary to overcome the

user's force of habit since users typically place asymmetric feminine hygiene articles such that the larger end portion is oriented to the rear portion of the user's undergarments.

To solve the above problem, a feminine hygiene article, e.g., incontinence pad **10** of the present invention, has at least one functional enhancement indicator **34** visible from the body-facing surface **15** of incontinence pad **10** and providing a distinct visual emphasis to a portion of the pad nearer to one of the first or second end regions **12** or **14**. In the context of an incontinence pad **10**, for example, the functional enhancement indicator **34** can be a mark or signal that provides a visually-perceptible indication of the front of the pad to facilitate proper orientation of the incontinence pad **10** with respect to the undergarment when placing and positioning the incontinence pad **10** in an undergarment, such as the panty of the wearer.

Functional enhancement indicators **34** can comprise printed indicia, such as ink-jet-printed figures, designs, lines or line segments, or embossed ridges or bumps, folds, pleats, or any other means known in the art for providing visible indications that serve the function of distinguishing one portion of a feminine hygiene article from the other, for example to aid the user in determining proper front to back orientation placement of an asymmetrically-shaped incontinence pad in an undergarment. Specifically, as shown in FIG. 1, functional enhancement indicators **34** can be disposed so as to indicate which end region of the incontinence pad **10** is intended to be, or to bound, the region of fluid entry. Thus, for an incontinence pad **10**, functional enhancement indicator **34** provides a visually-perceptible distinctiveness that indicates to the user that the larger end portion **12** of pad **10** is intended to be oriented to the front of the user's undergarment.

Therefore, one criteria for functional enhancement indicator **34** is that it clearly identify one portion, such as one end portion, of the article as being functionally different from other portions by a visual signal distinct from the overall shape of the article about its periphery, which shape may, in fact, provide the user with an opposite intuitive response. One way of describing an asymmetric article of the present invention, therefore, is the article has two end portions each differing from the other in maximum width measured parallel to a transverse centerline, and differing in surface area measured with respect to the periphery and the transverse centerline, but which article comprises a visually-perceptible signal to the wearer, the visually-perceptible signal distinctly identifying one end portion of the article as being a region of particular significance, for

example, as the region of intended fluid entry. The perception of the user may be that the indicated portion of the pad may be one of greater absorbency, greater fluid containment capacity, less leakage, better dryness, better odor control, improved softness, or other signals that facilitate an intuitive response to orient the functional enhancement indicator  
5 properly, e.g., to the front of the undergarment.

For asymmetrically-shaped incontinence pads, the effect of functional enhancement indicator **34** is to give the user of an incontinence pad **10** a visual signal as to the portion of the pad intended to be oriented to the front of the wearer's panties when worn for incontinence control. Because the user's intuitive notion is to place the pad  
10 "backwards" having the larger portion oriented to the rear of her panties, the visual signals presented by the functional enhancement indicator **34** of the present invention provides the benefit of improved use through correct orientation in the undergarment. The user's attention is drawn to the distinctive region signaled by the functional enhancement indicator **34**, triggering a response that such a region is functionally  
15 important for its intended use. Therefore, for incontinence pads with an intended use of absorbing urine, the user instinctively orients the pad with the larger surface area portion toward the front of her undergarment during use.

Functional enhancement indicators **34** can be disposed on or in the feminine hygiene article so as to be visible from the body-facing surface **15** such that an indication  
20 is made to the user calling attention to the significance of the indicated portion of the article. Functional enhancement indicators can indicate a region of enhanced functionality, such as a region of enhanced absorbency, enhanced fluid capacity, enhanced leakage control, enhanced odor control, enhanced surface treatment of lotions or skin care agents, and the like. Functional enhancement indicators can signal a region  
25 of enhanced fluid containment, and can comprise additional fluid containment features, such as channels, gel-blocking coatings, and the like as is known in the art. Functional enhancement indicators **34** can also be used in conjunction with fit guides for use in the proper positioning in the undergarment, such as fit guides disclosed in US Ser. No. 10/852,709, filed by Digiacomantonio et al.

30 FIG. 3 shows a feminine hygiene article which is a sanitary napkin **11** that is symmetrically-shaped about both a longitudinal centerline **L** and a transverse centerline **T**. A functional enhancement indicator **34** is disposed generally symmetrically about

longitudinal axis **L**, and off center, placed nearer first end region **12** with respect to transverse centerline **T**. Functional enhancement indicator **34** as shown in FIG. 3 is fully on one side of transverse centerline **T**. In other embodiments, the functional enhancement indicator can extend on both sides of transverse centerline **T**. In such a case, functional indicator is considered nearer first end **12** if one of a first edge **34A** or a second edge **34B** of the functional enhancement indicator **34** is closer to an end edge of the feminine hygiene article than the other.

The functional enhancement indicator **34** can be printed on the topsheet **26** or on the underlying absorbent core **20** or on another portion of sanitary napkin **11** as long as it is visually perceptible from the body-facing surface **15** thereof. The region of sanitary napkin **11** corresponding to the portion of the sanitary napkin **11** marked by functional enhancement indicator **34** can be a region of enhanced absorbency. For example, the absorbent core **20** can have a higher basis weight, or a greater concentration of absorbent gelling material (AGM), or a greater thickness, or other means of greater absorbency in the region of the sanitary napkin **11** indicated by functional enhancement indicator **34**. Thus, functional enhancement indicator **34** can aid the user orienting and placing the sanitary napkin in her undergarment so as to make the best use of the enhanced absorbency.

Functional enhancement indicators **34** can be printed on a surface visible from the body-facing surface of sanitary napkin **10**. Functional enhancement indicators **34** can be printed on a surface below the topsheet **26** as long as it is visible to the user during placement and positioning of the article in the undergarment. Therefore, functional enhancement indicators **34** can be ink or dye printed, coated, sprayed, or otherwise disposed on, secondary topsheets, surge layers, acquisition layers, absorbent cores, and the like. Functional enhancement indicators **34** can be configured as lines, line segments, curved lines, bands, arrows, words, pictures, or any other printed indicia having a purpose of providing a signal or guide to the user for proper use with respect to the functional enhancement of the article. Again, the visual indicia need not be printed on the body-facing side **15** of a feminine hygiene article, but need only be visible from the body-facing side thereof such that the user can see the indicia as she places the article in, or removes the article from, her undergarment.

FIG. 4 shows an incontinence pad **10** properly positioned in the crotch portion **38** of a panty **39**. Incontinence pad **10** shown in FIG. 4 is an example of an article of the present invention not having flaps intended to wrap the edges of the leg openings of the undergarment. As shown in FIG. 4, portions of the panty **39** defining leg openings **35**,  
5 such as leg elastics **36**, can be positioned to coincide tangentially with side edges of incontinence pad **10** when the incontinence pad **10** is properly placed in the crotch region **38** of the panty. Therefore, proper placement and orientation of incontinence pad **10** can be achieved by utilizing functional enhancement indicator **34** to indicate the portion of the incontinence pad **10** intended to be oriented to the front of the panty, and by utilizing side  
10 edges to indicate proper front-to-back positioning, if desired. Further, to aid in placing and positioning the incontinence pad **10** properly, in one embodiment functional enhancement indicators **34** can be disposed so as to indicate proper alignment of the feminine hygiene article **10** with respect to the curvature of leg openings **35** of the undergarment **39**.

15 Functional enhancement indicators **34** can be placed so as to give the user a visual indication of proper placement of the article in the undergarment by providing a visual indication on the portion of the article that is to be oriented to the front of the wearer, which, in FIG. 4 is oriented toward the top of the page. As shown in FIG. 4, functional enhancement indicator **34** can have shapes and visual definition and distinctiveness to  
20 provide other clues as to proper orientation and placement. For example, first edge **34A** of functional enhancement indicator **34** can be associated with the rearward or “back” portion of the functional enhancement indicator **34**, and a second edge **34B** can be associated with forward or “front” portion of the functional enhancement indicator **34**. In the embodiment shown in FIG. 4, first edge **34A** has a curvature that is generally similar  
25 to that of a seam **37** of the undergarment, such as a seam of a sewn-in crotch panel. In addition, the generally pointed shape of second edge **34B** can indicate a direction of orientation to the user to indicate the front of the pad with respect to the wearer’s body and undergarment.

In one embodiment, as shown in FIG. 5, functional enhancement indicator **34** can  
30 be a visual signal characterized by a gradient in visual emphasis. The gradient in visual emphasis can be the result of a gradient of color intensity, for example, or a gradient in density of visually-perceptible discrete elements. For example, functional enhancement



indicator **34** can be a pattern of visually-perceptible dots or speckles **44** placed in a pattern of increasing density from the first edge **34A** to the second edge **34B**. In such an embodiment, the term “edge” is used to indicate the front and rear boundaries of functional enhancement indicator **34** parallel with the transverse centerline **T**. In general, first and second edges **34A** and **34B** bound every portion of functional enhancement indicator **34** from front to back along longitudinal centerline **L**. In some embodiments first and second edges **34A** and **34B** of can be coincident with portions of the perimeter **28** of the incontinence pad **10**.

As shown in FIG. 5, discrete visual elements such as dots or speckles can be distributed on a portion of incontinence pad **10**, such as on topsheet **26** or secondary topsheet **24**, to be visible as a uniform gradient of increasing density. Thus, even though first and second edges **34A** and **34B** of can be nearly equidistant to their respective end edges of the article, the functional enhancement indicator **34** can be readily seen as being weighted in visual emphasis toward first end region **12** as opposed to second end region **14**. In another embodiment, the gradient can be non-uniform, and can be localized predominantly in the end region **12** of the pad to further emphasize the portion of the pad to be oriented to the front of the wearer’s undergarment **39**.

Functional enhancement indicator(s) **34** can be made by printing, stamping, embossing, folding or any other known process that makes a visual, or even tactile, impression that indicates a portion of the feminine hygiene article as being enhanced for a particular use. Functional enhancement indicator **34** can be a shaded, striped, stippled, or other noncontiguous region. Functional enhancement indicator **34** can be shaded such that the visual impression is one of a continuous colored band. In one embodiment the continuous colored band can be of one or more colors that increase in intensity from one portion of the incontinence pad **10** to another. By “increase in intensity” is meant an increase in the intensity of the hue, saturation, color, or a combination of color characteristics. In one embodiment functional enhancement indicator **34** can comprise one color; in another embodiment functional enhancement indicator **34** can comprise more than one color. Printing can be by known processes, such as gravure printing, offset printing, inkjet printing, and combinations thereof. In one embodiment functional enhancement indicator **34** can be made by ink jet printing a predetermined pattern on a portion of an incontinence pad **10** such that the pattern is visible to the user when viewing

the body-facing side **15** of incontinence pad **10**. In one embodiment, ink can be printed directly on the topsheet. In another embodiment color can be printed on a portion of the incontinence pad below the topsheet, but visible through the topsheet.

FIG. 6 shows an incontinence pad **10** having flaps **52** that are intended to fold over and wrap the leg elastics of the undergarment (flaps **52** in FIG. 6 are shown in an unfolded, flat condition). Flaps **52** can have attachment means (not shown) to affix the sanitary napkin to the underside of the undergarment, as is known in the art. Any of various attachment means known in the art can be used with the present invention, including pressure sensitive adhesive means, in which case release strips can be incorporated as well. It is known to make a line of weakness or a flexible zone to facilitate folding of flaps on sanitary napkins.

As shown in FIG. 6, functional enhancement indicator **34** can comprise a single colored region or a plurality of colored regions. A plurality of colored regions can be disposed as overlapping regions **46** of color to define a color gradation or change in intensity by virtue of the overlapping nature of the regions. As shown, for example, a plurality of colored or shaded regions **46** (three are shown in FIG. 6) can be individually printed or otherwise applied in a manner to define a darker or more intense region in the areas of region overlap. Colored or shaded regions **46** can be any shape, including shapes evoking pleasant feelings, such as flower petals, sun rays, ocean waves, and the like. The colors of colored or shaded regions **46** can be uniform, or they can be varying shades or hues of one color, or they can be different colors. The functional enhancement indicator **34** can be a feature of a feminine hygiene article together with other printed indicia or features, such as the above-mentioned fit guides.

Another embodiment of incontinence pad **10** is shown in FIG. 7. As shown in FIG. 7, functional enhancement indicator **34** can comprise a plurality of different visual effects, all of which draw a visually-perceptible distinction to a predetermined portion or portions of a feminine hygiene article. For example, functional enhancement indicator **34** can comprise a region of dots or speckles **44** in an array of increasing density from one region of incontinence pad **10** to another. In addition, to reinforce the visual indication of the front-oriented portion of incontinence pad **10**, a band of color **48** of changing color intensity can be applied, the greater color intensity indicating the front-oriented portion of incontinence pad **10**. Further, in addition to, or individually, an embossed channel **50** can

be disposed on the body-facing surface of incontinence pad **10** to give a visual indication of the desired location of fluid entry and containment. Embossed channel **50** can be a continuous depression, or a series of individually-compressed, closely-spaced embossments. Embossing can be achieved by means well known in the art. In one  
5 embodiment, functional enhancement indicator **34** is only visibly perceptible, that is, it includes only the visually perceptible portion of the article, and not the tactilely perceptible portion, such as the channel. That is, in one embodiment, functional enhancement indicator **34** excludes embossments, channels, and the like.

FIG. 8 illustrates another embodiment of the present invention combining  
10 embossing and printing or other methods known in the art for imparting color, as well as apertures to make functional enhancement indicators **34**. As shown in FIG. 8, incontinence pad **10** can comprise functional enhancement indicator **34** comprising a plurality of embossments **52** that together form a curvilinear visually-distinct functional enhancement indicator **34**. As shown in the cross section of FIG. 9, one or more of the  
15 embossed depressions **52**, or all the embossed depressions, can have therein a substance such as ink to provide visible color **58**. The visible color can be printed in registration with the embossments, or printed at the same time as the embossments are made by means known in the art, such as the method described in WO 04/057110, or US  
6,780,270. The color **58** can be due to printing inks, dyes, paint, or colored adhesive.  
20 The color **58** can also be under the topsheet, even on a separate layer (neither shown in FIG. 8), such that upon embossing, color **58** shows through the embossed portion, thereby giving the appearance of having been printed in registration with the embossed functional enhancement indicator **34**.

Also shown in FIG. 8, functional enhancement indicator **34** can comprise a  
25 plurality of visually perceptible apertures grouped in a distinct manner so as to give a visual indication of a region of enhanced absorbency, or otherwise indicating the region of enhanced functionality. Apertures can be visually perceptible and yet not tactilely perceptible. Apertures **54** can be formed by means known in the art, including the method described in US 5,628,097 and WO 01/45616.

30 In another embodiment, a functional enhancement indicator **34** can be achieved by having functional enhancement indicator components that are only tactilely sensed, i.e., not visibly sensed. Such a tactile feature can serve as a functional enhancement indicator

34 by means of a change in surface smoothness, a change in the coefficient of friction, or other tactilely-sensed change in material properties. In general, the change in material properties can correspond in location to the visible functional enhancement indicators 34 as disclosed herein.

5 An example of an incontinence pad 10 that is neither symmetric about the longitudinal axis L nor the transverse axis T is shown in FIG. 10. FIG. 10 shows an incontinence pad 10 or pantiliner 11 designed for use in a so-called thong, or string panty. The very narrow crotch width can require flaps 51, if used, to be offset with respect to one another so as to avoid overlapping. As shown, a functional enhancement indicator 10 34, in this case a pair of printed, colored, stylized "V" shapes, can indicate a region of fluid entry or a region of enhanced absorbency or a region of enhanced fluid containment.

Feminine hygiene articles designed for use in so-called thong, or string panties, as shown in FIG. 10 can be described as having one end that tapers to a very narrow width. For example, a sanitary napkin designed for use in a string panty can taper at one end to 15 an edge-to-edge width of about 27 mm (measured 10 mm from the narrowest end of the article and parallel to a transverse centerline). In one aspect of the present invention, such highly-asymmetrically-shaped articles can be most benefited by use of a functional enhancement indicator since slight misplacement to the front or rear with respect to the panties can make a large difference in performance. Therefore, in one embodiment of the 20 present invention, feminine hygiene articles include those that can be described as having a minimum edge-to-edge width measured about 10 mm from one end and parallel to the transverse centerline of less than about 30 mm. Other embodiments, which can be termed "non-thong feminine hygiene articles," can be characterized as having a minimum edge-to-edge width measured parallel to the transverse centerline of greater than about 30 mm. 25 In another embodiment, feminine hygiene articles of the present invention can be characterized as having a minimum edge-to-edge width measured at and parallel to the transverse centerline of greater than about 30 mm. In another embodiment, feminine hygiene articles of the present invention can be characterized as having an absorbent core member having a minimum edge-to-edge width measured parallel to the transverse 30 centerline of greater than about 30 mm.

Functional enhancement indicator(s) 34 can be beneficially utilized to distinguish between pads in an array of feminine hygiene articles that are otherwise substantially

identical in appearance. FIG. 11 shows an array **75** of three sanitary napkins **11** by way of example, in which each of the three sanitary napkins **11** differ with respect to a functional characteristic. For example, each sanitary napkin **11** in FIG. 11 can differ in absorbent capacity, odor control, sensate delivery, lotion delivery, skin care agent concentration, or any other functional attribute beneficial in the context of a feminine hygiene article. As depicted in FIG. 11, the functional enhancement indicator **34** increases in visual emphasis in the array **75** from the first pad on the left to the last pad on the right. The increase in visual emphasis can be due to an increase in color intensity or color density from pad to pad, or line density, or any other visual indicia that gives the user a visually-distinct signal as to the relative amount of the relevant functional enhancement. In one embodiment, a plurality of sanitary napkins can be sold in the same package as an array **75** of feminine hygiene articles, with the functional enhancement indicator **34** on each aiding the user in choosing a particular sanitary napkin for a given personal circumstance. For example, functional enhancement indicators **34** in FIG. 11 can indicate relative amounts of absorbent capacity, and the user can use the visual indication to choose a pad for her particular flow at a particular time.

In another embodiment, feminine hygiene articles of a given functional characteristic can be packaged in containers such as bags, boxes, or cartons, which carry a similar visual signal to aid a user in choosing an appropriate pad for an appropriate function. For example, as shown in FIG. 12, the sanitary napkins described in FIG. 11 can be packaged in an array **77** of boxes or cartons **60** bearing a visual signal or indicator **62** that corresponds in visual distinction to functional enhancement indicator **34**. Thus, if functional enhancement indicator **34** is a shade of color, visual indicator **62** can be a matching or substantially-matching shade of color. By “substantially-matching” is meant the color is close enough that the pad and the packaging can be easily matched by one comparing pads and packaging. For example, substantially-matching shades can be matching within the range of normal variance of colors from lot to lot of ink, dye, or other color-inducing medium, or within normal variance due to slight differences perceived on film versus paper, and the like. Other means of obtaining corresponding visual distinction include matching the shapes, styles, or overall appearance of visual indicators **62** with corresponding functional enhancement indicators **34**. A consumer or user of feminine hygiene articles can choose a feminine hygiene article having a desired

functional characteristic more easily based on the packaging, with a confirmation or reinforcement of that functional characteristic on each pad inside the packaging.

In another embodiment, as shown in FIG. 13, an array **77** of packaging **60** can have at least one window or other substantially transparent opening **66** through which at least a portion of feminine hygiene articles such as sanitary napkins **11** inside packaging **60** can be seen. Window **66** (or windows **66** if two or more are present) can be a cutout portion of packaging **60** or a cutout having a transparent polymeric covering, or any other means known in the art to facilitate visual identification of functional enhancement indicator **34** of articles packaged inside otherwise opaque packaging. In one embodiment, feminine hygiene articles can be individually folded and/or packaged in individual wrappers prior to packaging in an array **77** of packages **60**. In such embodiments, a corresponding visual indicator can be utilized on other portions of feminine hygiene articles or individual wrappers as necessary to indicate an array of functional characteristics through window **66**.

In another embodiment, feminine hygiene articles, such as sanitary napkins **11**, can have functional enhancement indicators **34** that provide direct information-bearing signals to the user, such as numerals or written indicia that communicate information by way of clearly understood gradations in scale. For example, as shown in FIG. 14, an array **75** of sanitary napkins **11** can be identified by a number, with increasing numbers indicating an increase in a functional characteristic. For example, increasing numbers can signal an increasing amount of absorbent capacity relative to lower-numbered articles. As shown in FIG. 14, for example, the article on the far right numbered with the numeral "3" can have more absorbent capacity than that of the article in the middle numbered with the numeral "2". Other functional enhancement indicators **34** could be used for a more aesthetic appearance. As disclosed earlier, a plurality of sanitary napkins **11** can be sold in the same package, with the functional enhancement indicator **34** aiding the user in choosing a particular sanitary napkin for a given personal circumstance.

Note that in some embodiments, such as the embodiment shown in FIG. 14, it is not necessary that functional enhancement indicators **34** be closer to one end of the article than the other. While shown that way in FIG. 14, the benefit of the functional enhancement indicators **34** shown would be the same if the functional enhancement indicators **34** were centered with respect to both the longitudinal and transverse

centerlines. Note also, functional enhancement indicators **34** that provide direct information-bearing signals to the user, such as numerals or written indicia that communicate information by way of clearly understood gradations in scale can also function to facilitate proper orientation of the article in the undergarment of the wearer due to the inherent uprightness associated with many such signals. Thus, the user would orient the middle pad of FIG. 14 with the “2” oriented with the top to the front of the pad.

Feminine hygiene articles providing direct information-bearing signals to the user can be packaged in an array of containers such as bags, boxes, or cartons, which carry similar information-bearing signals to aid a user in choosing an appropriate pad for an appropriate function. For example, as shown in FIG. 15, the sanitary napkins described in FIG. 14 can be packaged in an array **77** of poly bags **60** bearing a visual indicator **62** that corresponds in visual distinction to functional enhancement indicator **34**. Thus, if functional enhancement indicator **34** is a numeral, visual indicator **62** can be a matching numeral. Thus, a consumer or user of feminine hygiene articles can choose a feminine hygiene article having a desired functional characteristic more easily based on the packaging, with a confirmation or reinforcement of that functional characteristic on each pad inside the packaging. Packaging can be transparent, at least in portions, such that the functional enhancement indicator **34** on one of the pads shows through the packaging to serve as both the functional enhancement indicator **34** and the visual indicator **62**.

FIG. 16 shows an array **75** of incontinence pads **10** having a plurality of functional enhancement indicators **34**. As shown, each pad **10** can have information-bearing written indicia **70** to literally “spell out” the functional characteristic, such as light urine capacity, medium urine capacity, or heavy urine capacity. In addition, or separately, an array of pads can be differentiated by the number of visually distinct pattern elements **72** such as the heart shapes shown in FIG. 16. Thus, the greater number of hearts, the greater the characteristic signaled by the functional enhancement indicator **34**. In addition, or separately, the functional enhancement indicator **34** can include a shortened form of the information-bearing written indicia **74**, such as “L” for light urine capacity, and the like.

In each case of the embodiments of the present invention shown in FIGS. 11-16, one benefit to the user is the identification in an array of products of differing functional characteristics, the product or products the user can choose for her particular needs. Further, another benefit to the user is the ability to take visual notice after use of a product

to identify the product for future use. Thus, a user may use the middle pad shown in FIG. 16, for example, and find that it is perfect for her needs. Upon removing the pad she has direct visual reinforcement as to which pad of all the various kinds it is. This enables her to easily replace it with a like pad without having to remember what kind of pad she used.

5 For this reason, it may be desirable to place functional enhancement indicators **34** near the pad periphery, such as pattern elements **72** or written indicia **74**, such that the fluid absorbed in the pad during use does not alter or mask the indicator.

Again, with respect to the pads shown in FIG. 16, each incontinence pad **10** can be individually packaged in an array **77** of flexible poly wrappers as shown in FIG. 17. The  
10 wrapper, and, if so packaged, the box or bag of individually wrapped pads, can be identified by a corresponding visual signal **62** for one or more of the functional enhancement indicators **34**. As shown in FIG. 17, each pad can be tri-folded and wrapped in a flexible wrapper that can also function as the release paper for the panty-fastening adhesive on the pad, as is known in the art. The wrapper can have thereon in a visually-  
15 distinct manner, such as by printing, a visual signal **62** corresponding to one or more of the functional enhancement indicators **34**, such as the distinct heart-shaped pattern element **72**.

Many variations on the above-described functional enhancement indicators are contemplated. For example, functional enhancement indicators can comprise sensory  
20 perception agents, such as menthol lactate in a sufficient amount so as to give the user a feeling of cooling refreshment when the incontinence pad is properly placed and worn. The functional enhancement indicators can be made such that, rather than printing with ink, a material is modified so as to have a different reflective index, or even be transparent, in the region intended to be a functional enhancement indicator. Likewise,  
25 instead of ink, color can be added by adding colored material in appropriate places, the colored material being additional film, nonwovens, or adhesives, including glue and hot melt adhesives. Such color can be added in or on any component of the feminine hygiene article, as long as it is visible to the user when she is positioning the incontinence pad in her undergarment.

30 In one embodiment a disposable feminine hygiene article of the present invention can be packaged either singly or in a package with other disposable absorbent articles such as other absorbent pads or tampons. The package can be labeled as to the intended



use, as well as instructions for use, i.e., a method of properly placing and positioning the feminine hygiene article into the undergarment.

To aid the user in properly positioning feminine hygiene articles such as incontinence pads having functional enhancement indicators, that is, to aid the user in using the functional enhancement indicators as an orientation guide, the feminine hygiene article can be provided with instructions for use. Instructions for use can be provided on or in the packaging in which the feminine hygiene article is sold, on related advertising or display media, or on the feminine hygiene article itself. The instructions can be printed on packaging, such as on an outside surface thereof, or on a separate paper placed inside the packaging. A package can comprise a plurality of feminine hygiene articles, and each feminine hygiene article can be individually wrapped or packaged, as is commonly known in the art. Instructions for use can include indicia such as text and pictorial diagrams. The printed instructions can include instructions for choosing a feminine hygiene article of the present invention based on the size of the user's undergarment, the user's flow requirements, the user's age or weight, or any other criteria useful for choosing an effective feminine hygiene article.

A feminine hygiene article of the present invention can be used by following the method herein described. First, if there is a choice of feminine hygiene articles differentiated by intended use, such as menstrual use or incontinence use, the user can choose one or the other. The user can choose the feminine hygiene article having the functionally enhanced characteristics desired, possibly from an array of products differentiated in the enhanced functional characteristic. In another embodiment, the user can choose by reference to a use guide posted on a plainly visible sign or banner showing various choices in feminine protection and corresponding functional enhancement indicators or visual signals corresponding to the users needs. In one embodiment the use guide can be made available electronically, such as via the internet. Once the user has chosen and obtained her feminine hygiene article, the following method steps are followed.

It is preferred that the user place the feminine hygiene article into her undergarment while the undergarment is being worn, but pulled down about her legs such that the crotch portion thereof is visible and accessible. The user can then remove one feminine hygiene article from its packaging, including any individual wrappers, if any. If

the feminine hygiene article is provided with pressure sensitive adhesive attachment means, the user can remove any backing strips, release paper, or other covering to expose the adhesive.

Once the feminine hygiene article is unwrapped, unfolded, or otherwise prepared for placement, the user can observe the functional enhancement indicator(s) provided thereon and visibly-distinct from the body-facing surface thereof, and prepare to place the feminine hygiene article in her undergarment while spreading the crotch portion thereof with her legs. She can then place the feminine hygiene article in her panty, noting the placement of the functionally-enhanced region if necessary. Thus, for an asymmetrically-shaped incontinence pad (such as shown in FIG. 1), the user can use the functional enhancement indicator markings on one end thereof to orient the wider end of the pad toward the front of her undergarment.

Placement can be achieved by known methods, such as by exposing (such as by removing a release paper) pressure sensitive adhesive on the garment-facing side of the feminine hygiene article, and pressing the feminine hygiene article into the crotch portion of her undergarment.

After placement, the user can check for proper positioning, and, if necessary, remove and replace the feminine hygiene article for better alignment. This step can be repeated as necessary.

If the feminine hygiene article is provided with flaps, the user can then fold the flaps down and under the crotch portion of the undergarment, and, if provided for, affix the flaps to the undergarment by means provided, such as by adhesive attachment means.

The user can then pull up her undergarment, assured that the feminine hygiene article is properly placed for optimal functioning while minimizing product misplacement that can lead to garment soiling.

All documents cited in the Detailed Description of the Invention are, are, in relevant part, incorporated herein by reference; the citation of any document is not to be construed as an admission that it is prior art with respect to the present invention.

While particular embodiments of the present invention have been illustrated and described, it would be obvious to those skilled in the art that various other changes and modifications can be made without departing from the spirit and scope of the invention.

It is therefore intended to cover in the appended claims all such changes and modifications that are within the scope of this invention.

What is claimed is:

1. An array of feminine hygiene articles for placement in an undergarment having a crotch portion bounded on opposite sides by portions of curved leg openings, said array comprising a plurality of feminine hygiene articles, each said feminine hygiene article of said array having a body-facing surface, a first end region and a second end region, said array of feminine hygiene articles comprising at least first and second said feminine hygiene articles differing in at least one functional characteristic, said first and second feminine hygiene articles each comprising a functional enhancement indicator visible from said body-facing surface, said functional enhancement indicator of said first and second feminine hygiene articles being visibly different to distinguish said first feminine hygiene article from said second feminine hygiene article.
2. The array of Claim 1, wherein each of said feminine hygiene articles has an outer periphery and each is identical in shape about said periphery.
3. The array of any of preceding Claims, wherein each of said feminine hygiene articles has an outer periphery and each is identical in size as bounded by said periphery.
4. The array of any of preceding Claims, wherein said first and second feminine hygiene articles differ in size, and said functional enhancement indicators of each differ in visual emphasis, with one of said first and second feminine hygiene articles having relatively greater visual emphasis.
5. The array of any of preceding Claims, wherein said functional enhancement indicator is chosen from the group consisting of printed marks, colored marks, visible indicia, and combinations thereof.
6. The array of any of preceding Claims, wherein each said feminine hygiene article comprises a longitudinal centerline and a transverse centerline perpendicular to said longitudinal centerline, and wherein said feminine hygiene article is asymmetrically-shaped about said transverse centerline.
7. The array of any of preceding Claims, wherein each said functional enhancement indicator is nearer said first end than said second end.

8. A package comprising an array of feminine hygiene articles, each said feminine hygiene article of said array having a body-facing surface, a first end region and a second end region, and a functional enhancement indicator visible from said body-facing surface.
9. The package of Claim 8, wherein said package bears a visual indicator similar in visible appearance to said functional enhancement indicator.
10. The package of any of Claims 8 or 9, wherein said array of feminine hygiene articles comprises feminine hygiene articles differing in at least one functional characteristic and wherein each said functional enhancement indicators differ in correspondence to said functional characteristic.

1/15

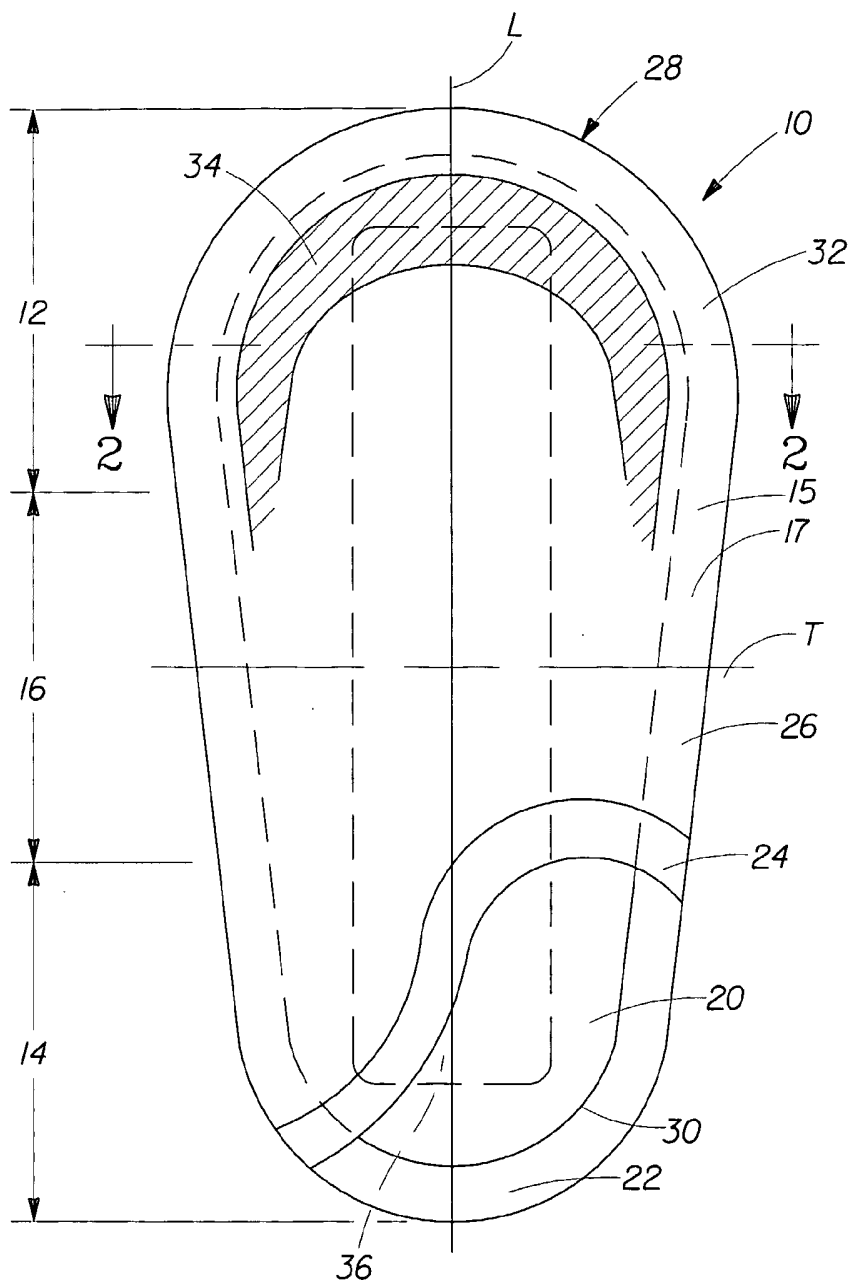


Fig. 1

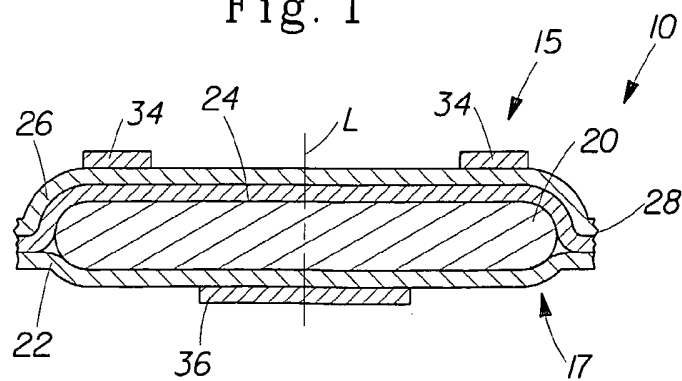


Fig. 2

2/15

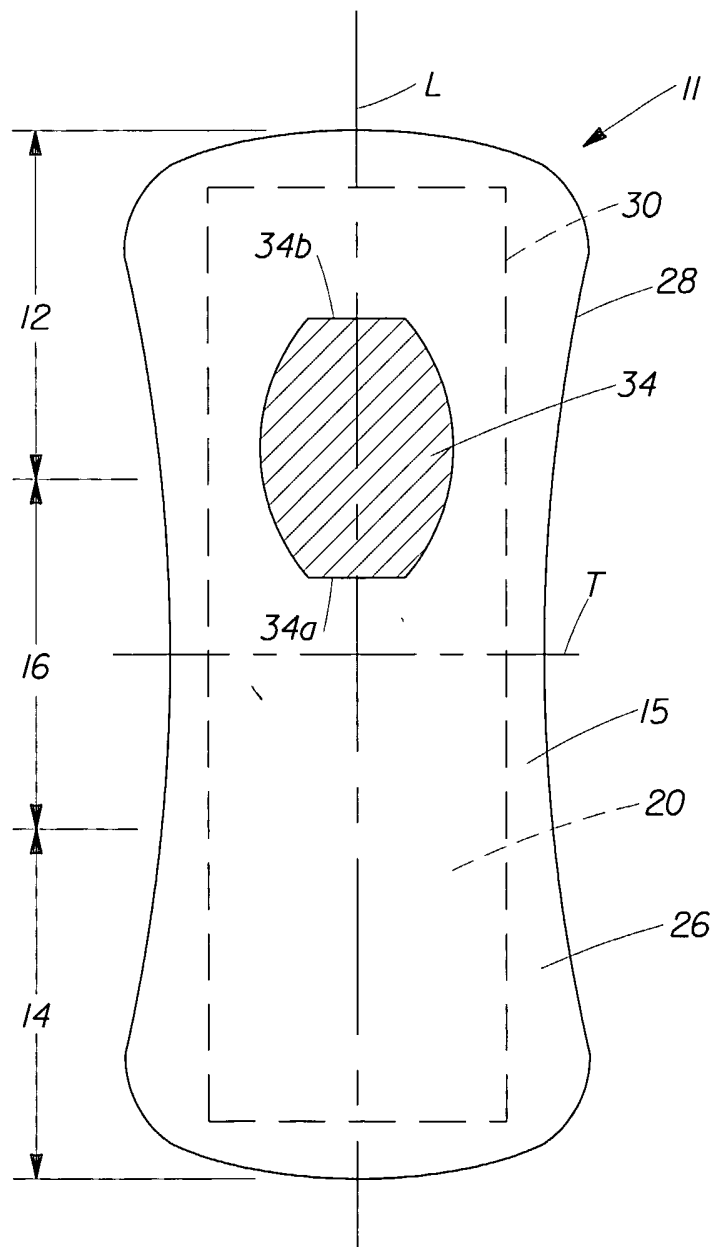


Fig. 3

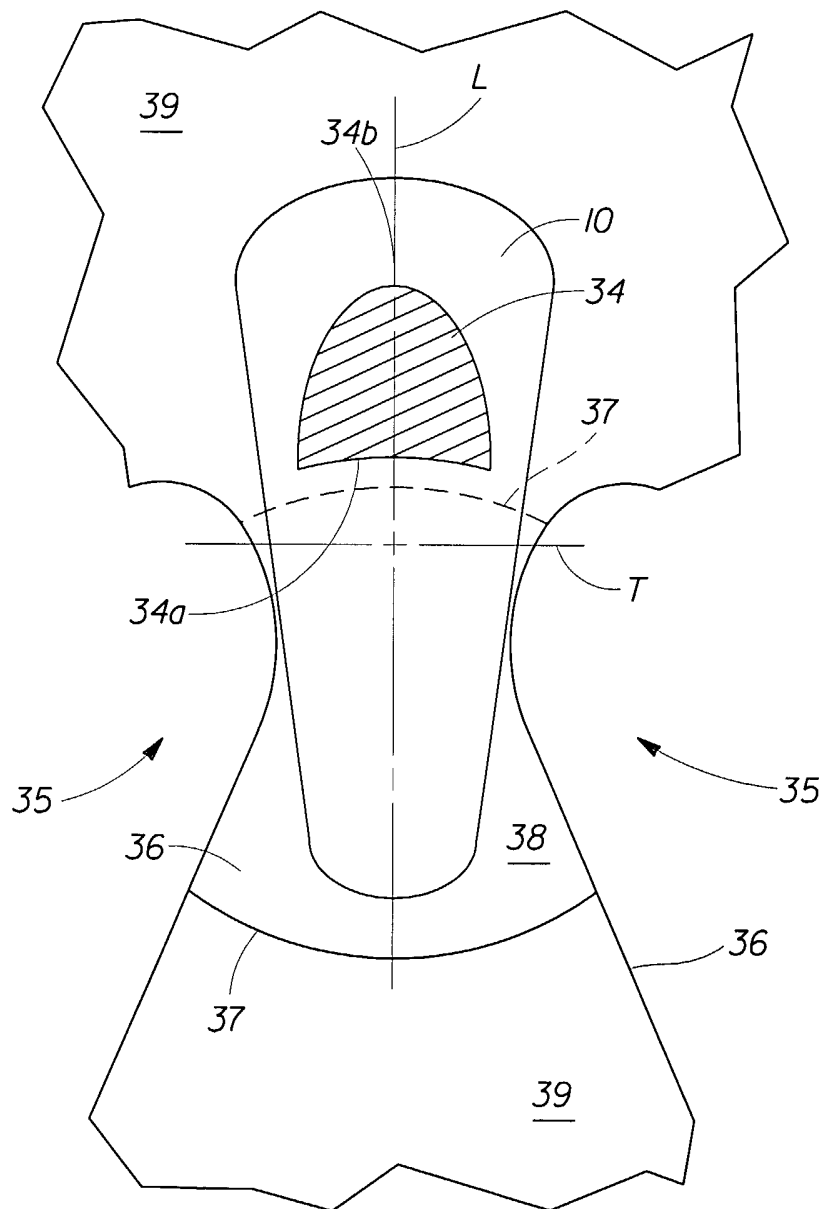


Fig. 4



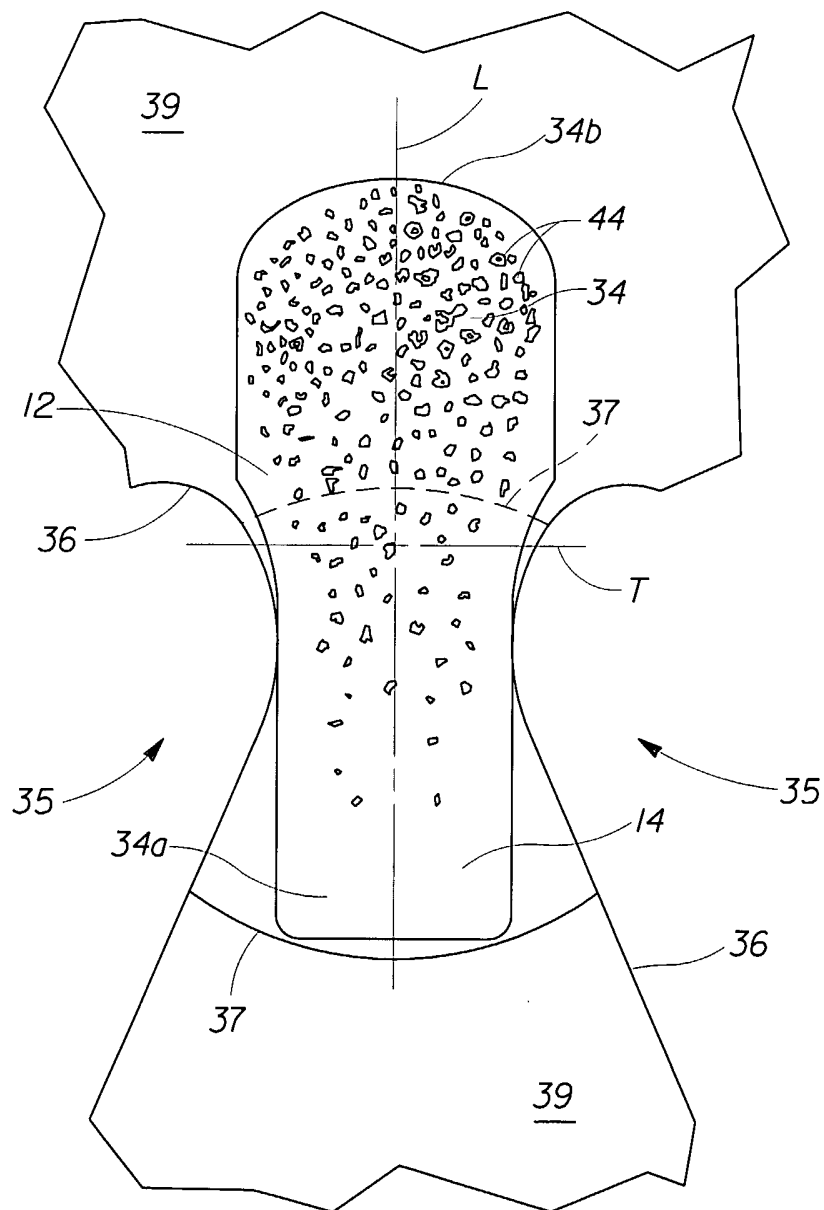


Fig. 5

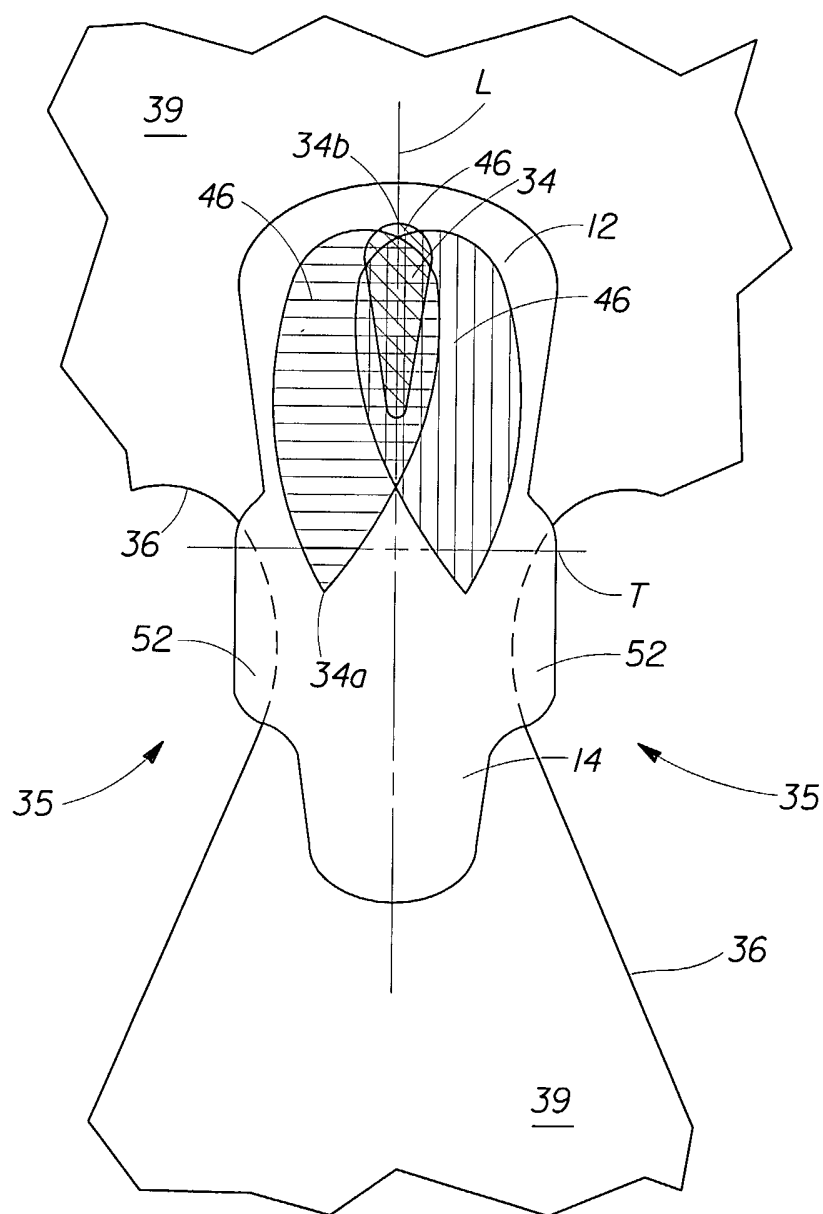


Fig. 6

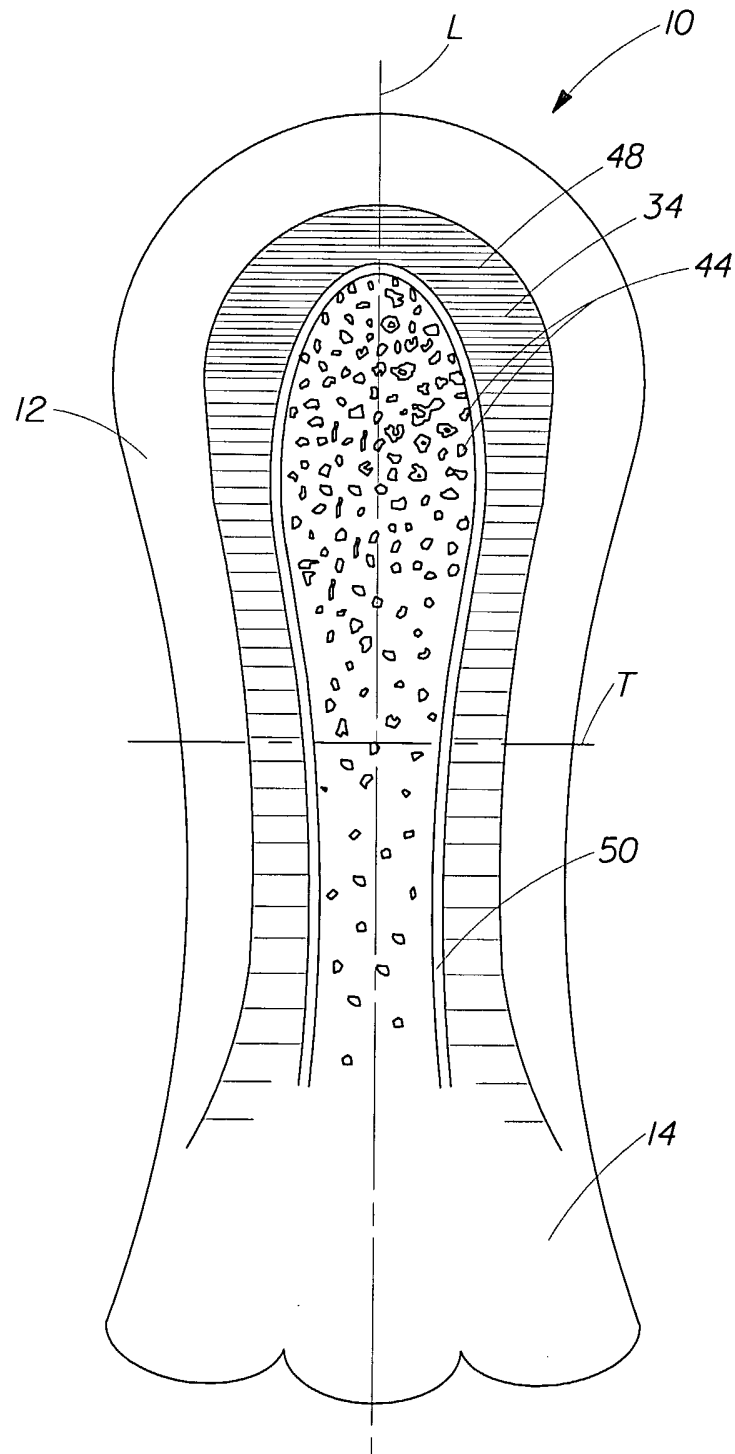


Fig. 7

7/15

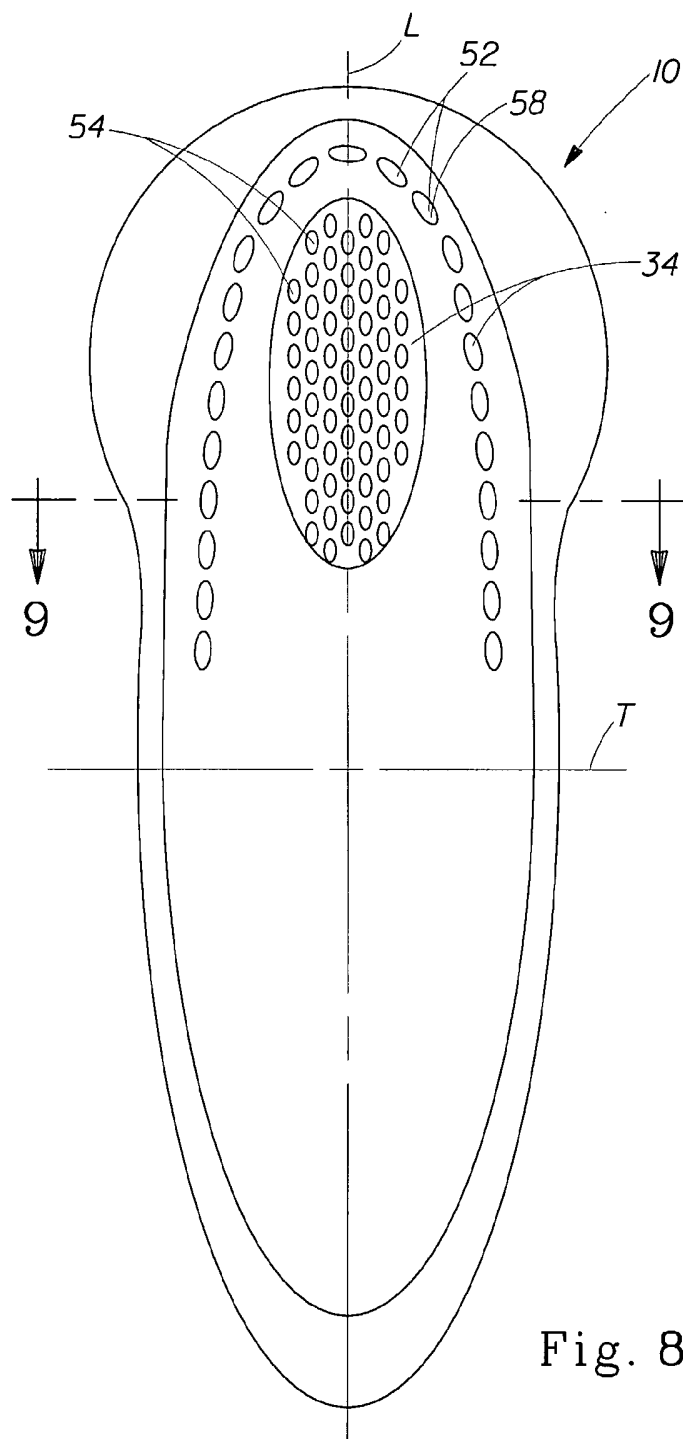


Fig. 8

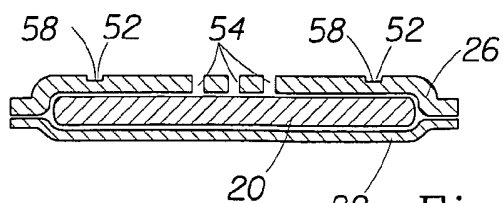


Fig. 9

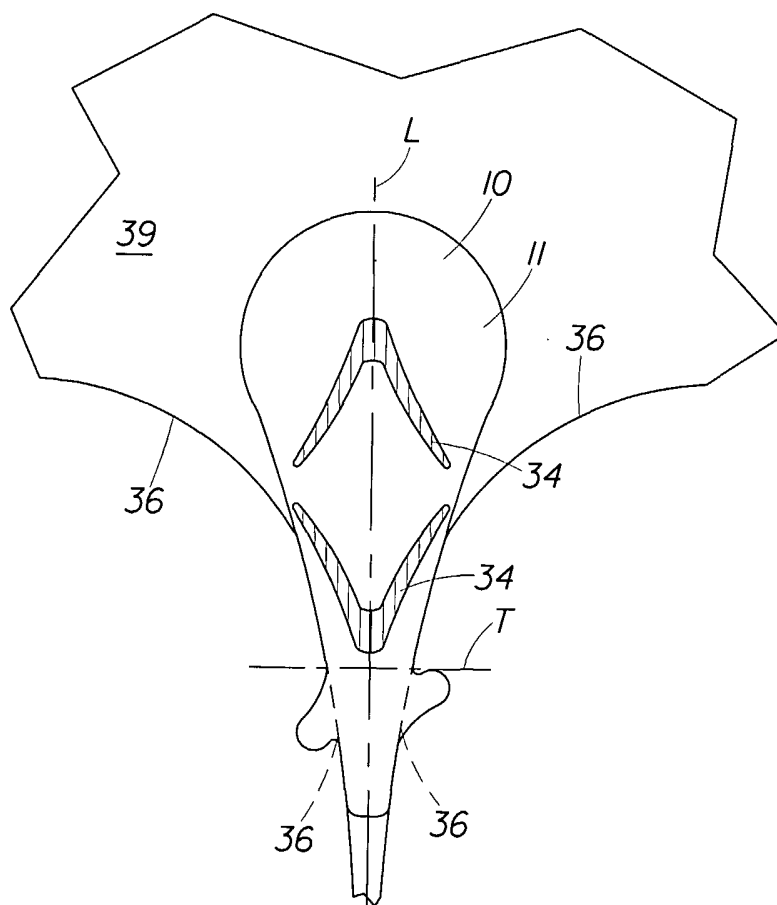
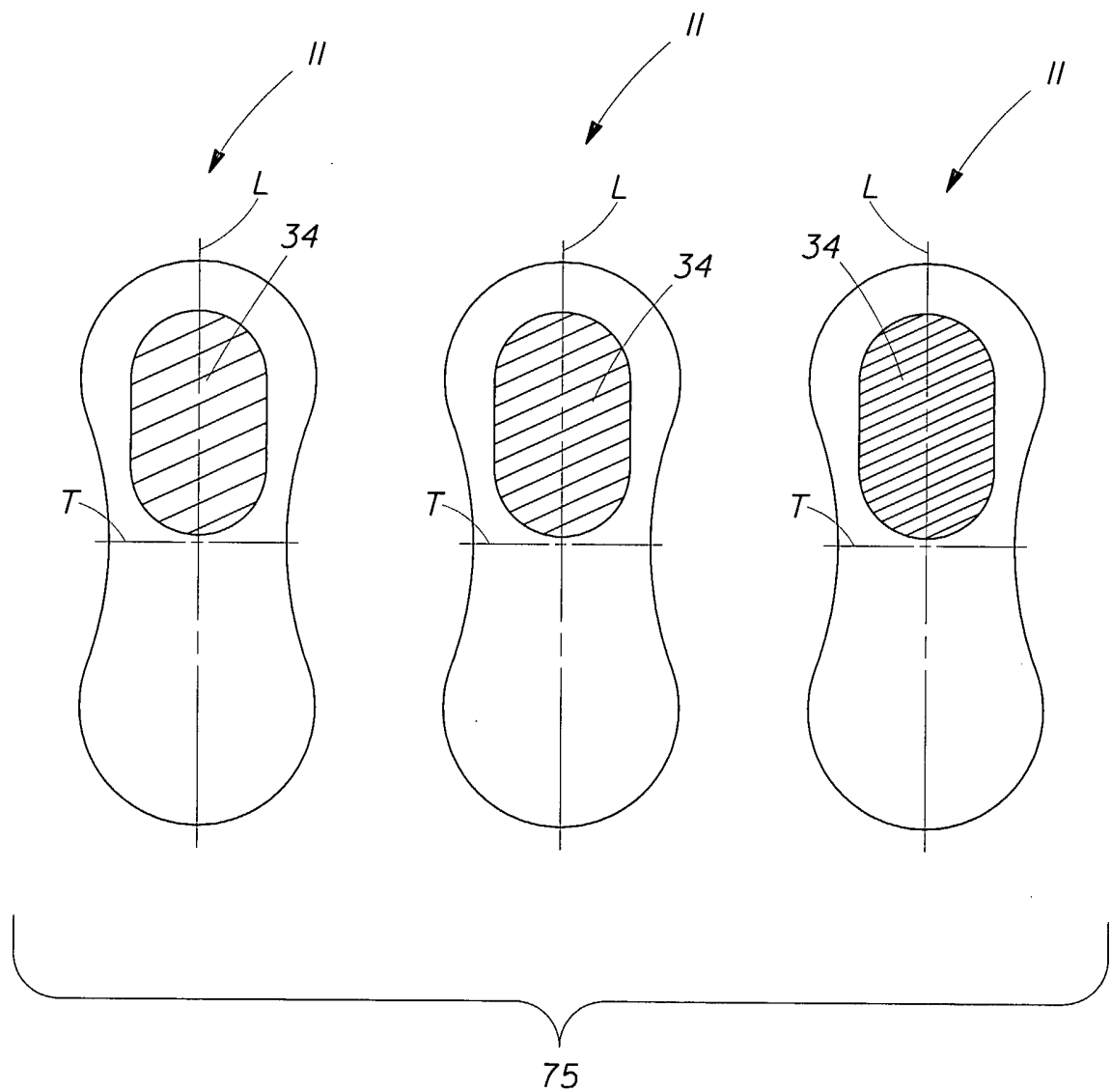
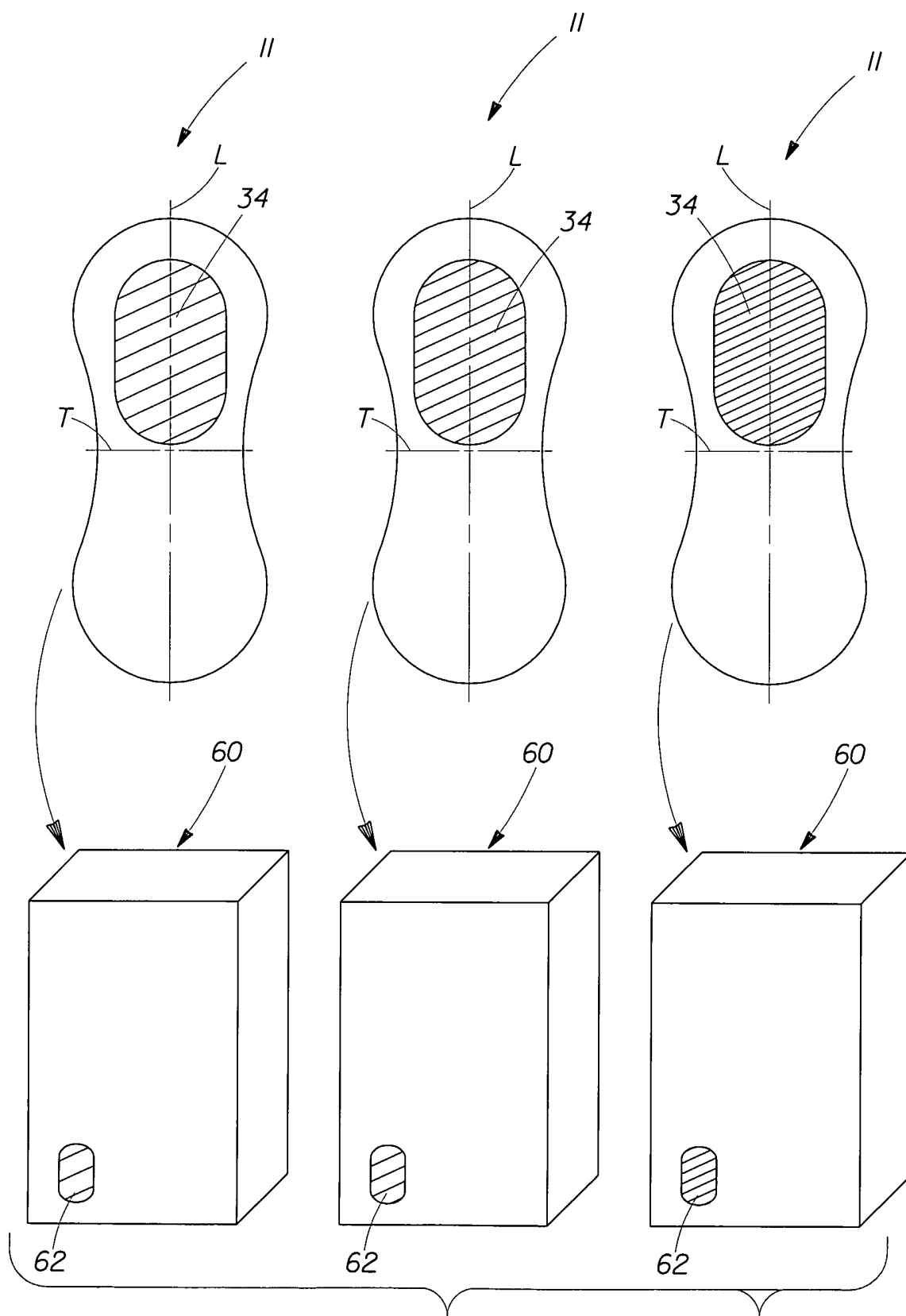


Fig. 10

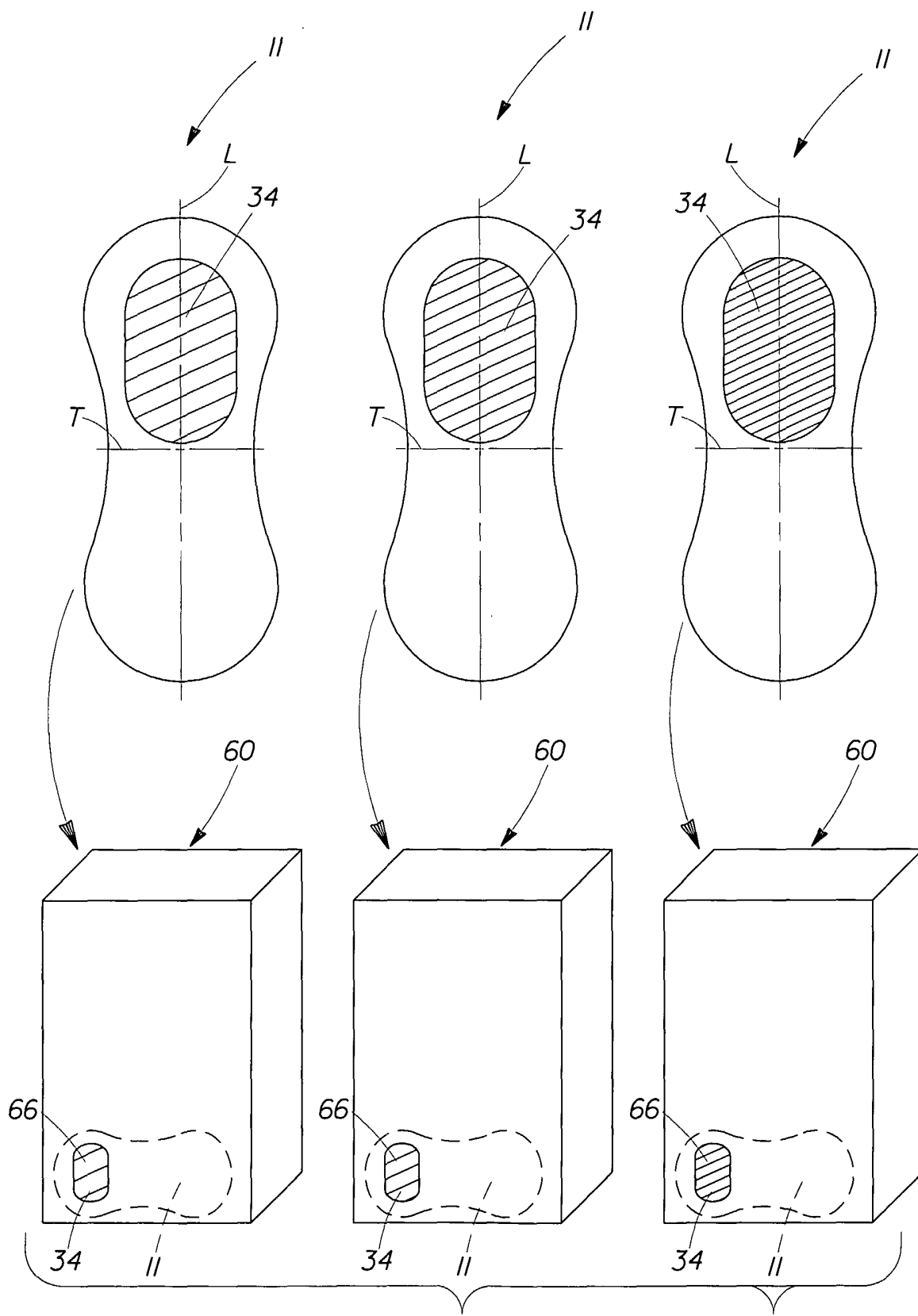
9/15



75  
Fig. 11



77  
Fig. 12



77  
Fig. 13



12/15

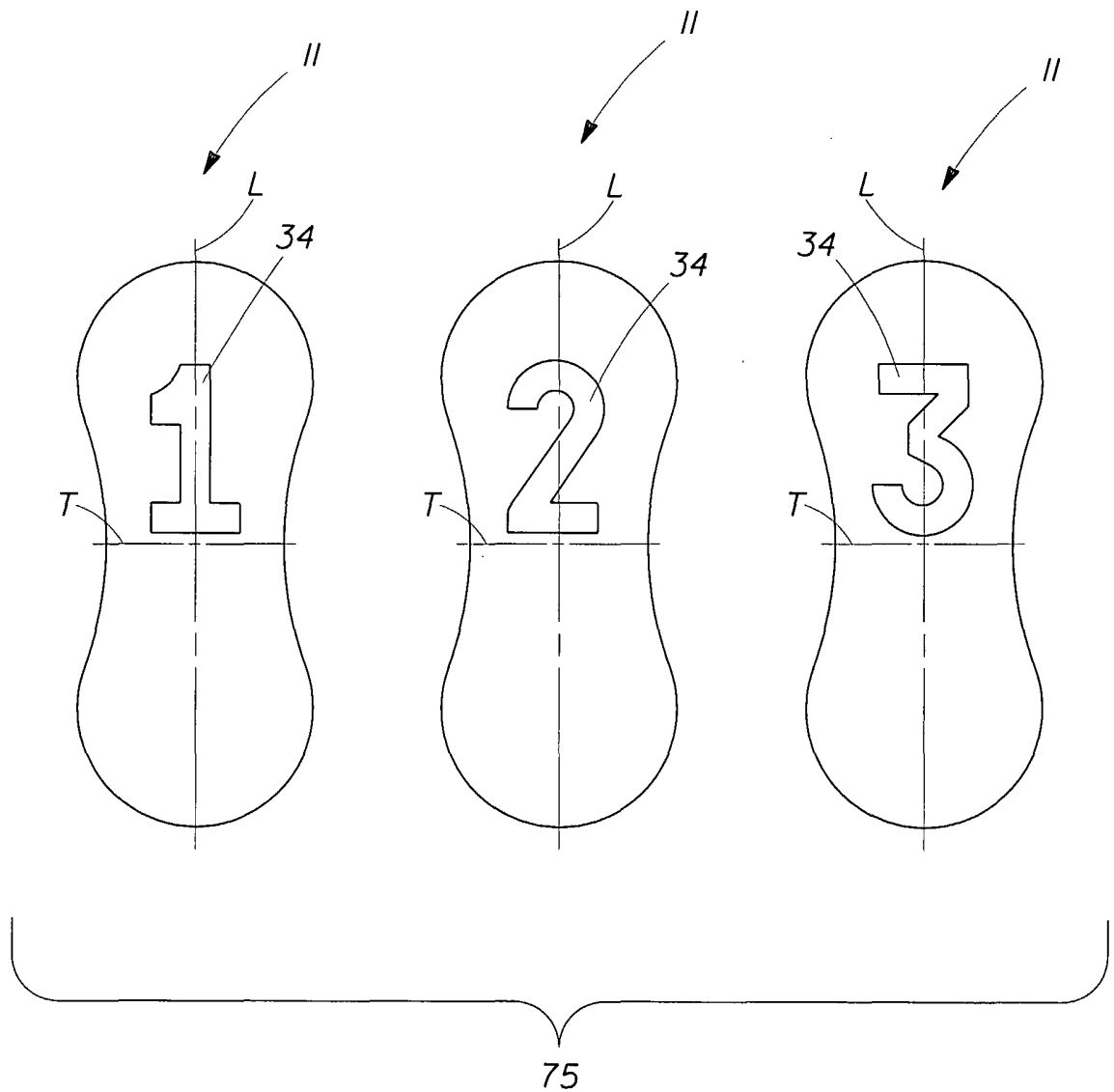


Fig. 14

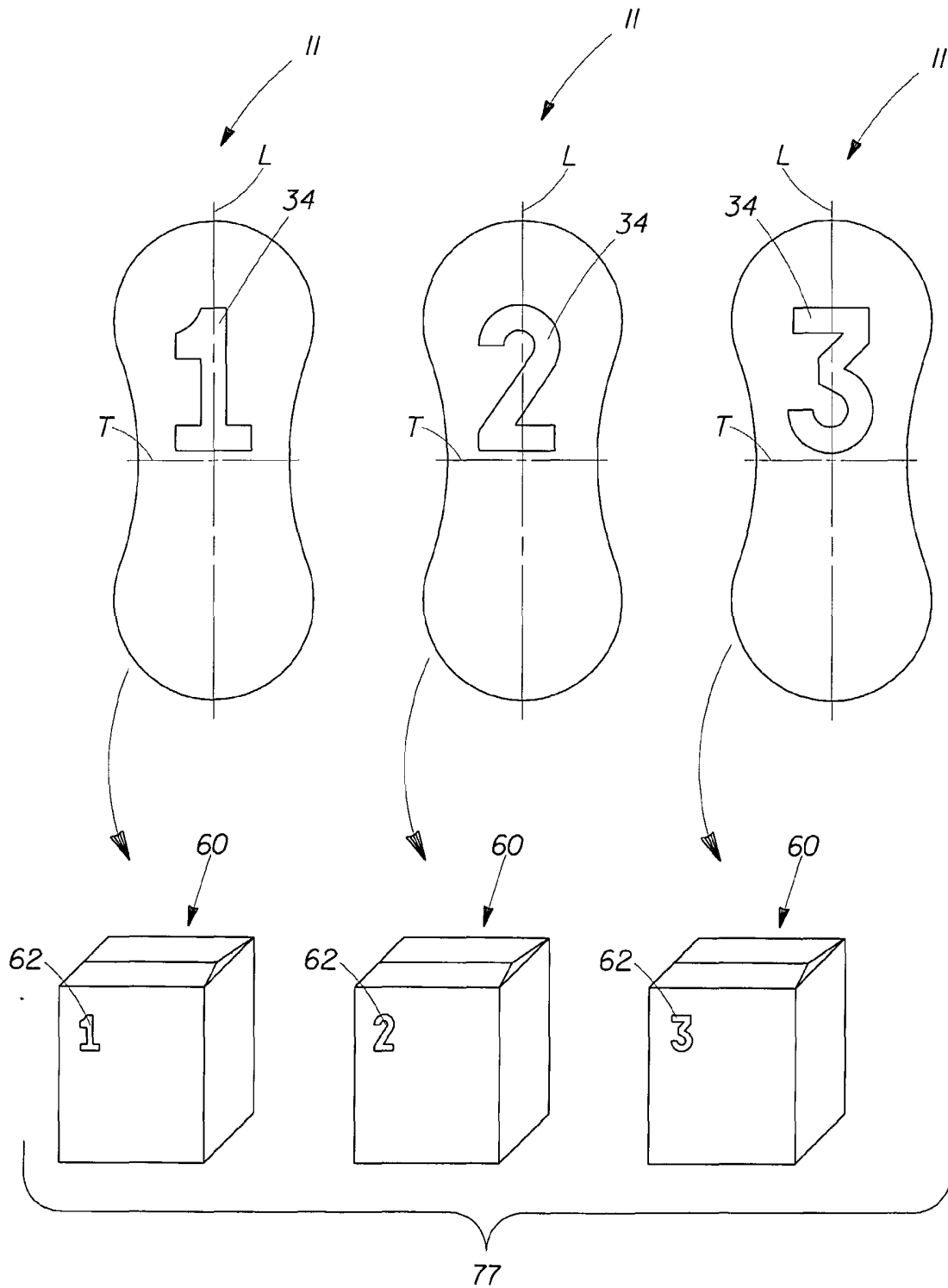


Fig. 15

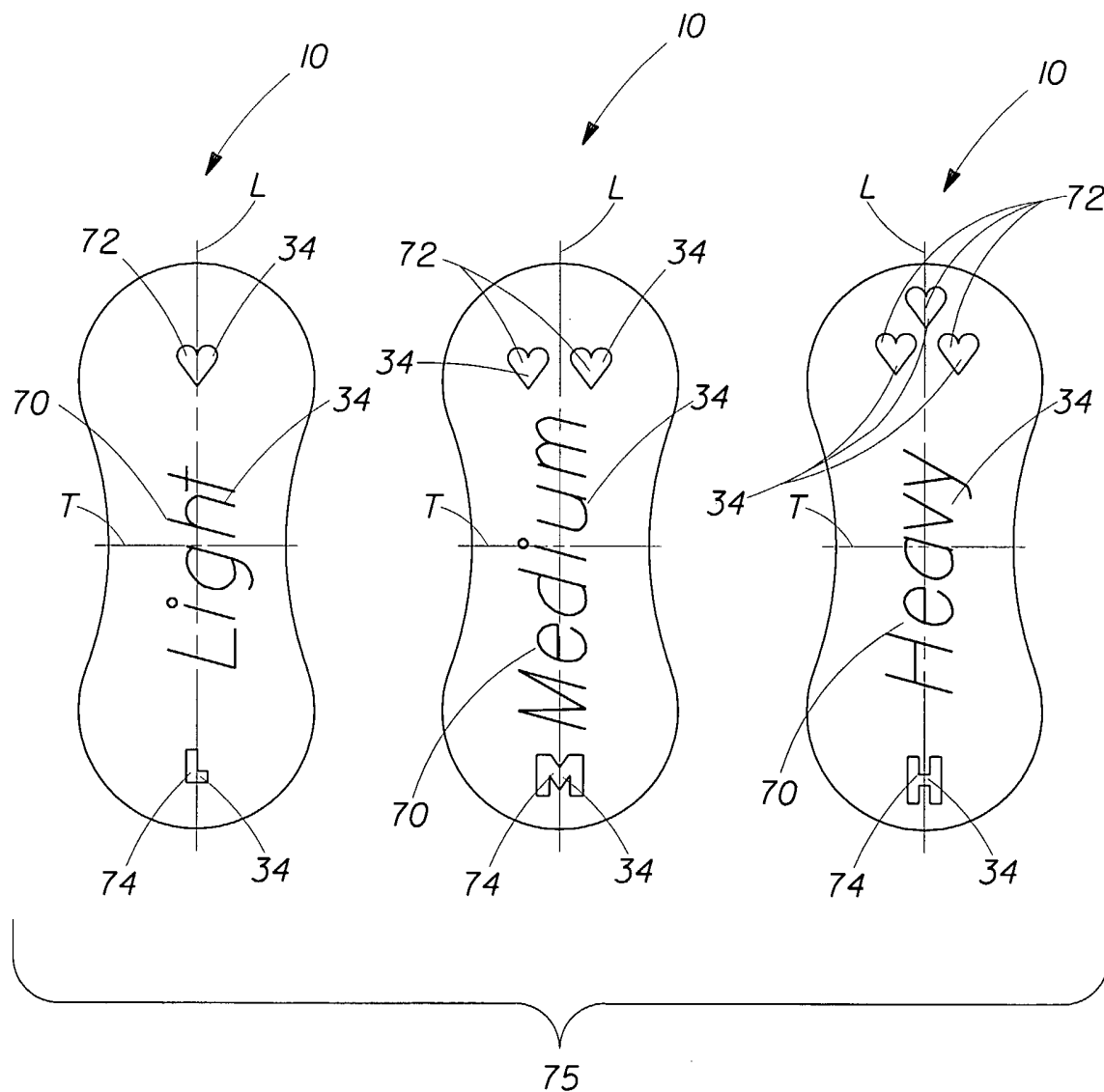


Fig. 16

